



US00D885993S

(12) **United States Design Patent**
Roden et al.

(10) **Patent No.:** **US D885,993 S**
(45) **Date of Patent:** **** Jun. 2, 2020**

(54) **ELECTRIC DRIVER**

D745,441 S * 12/2015 Ohruh D12/131
D824,292 S * 7/2018 Surbeck D12/131
D833,919 S * 11/2018 McCollough D12/131

(71) Applicant: **Graco Minnesota Inc.**, Minneapolis,
MN (US)

* cited by examiner

(72) Inventors: **Joshua D. Roden**, Blaine, MN (US);
James C. Schroeder, Ramsey, MN
(US); **Anthony J. Shakal**, Rogers, MN
(US); **Aaron R. Laho**, Big Lake, MN
(US)

Primary Examiner — Charles D Hanson

(74) *Attorney, Agent, or Firm* — Kinney & Lange, P.A.

(73) Assignee: **Graco Minnesota Inc.**, Minneapolis,
MN (US)

(57) **CLAIM**

The ornamental design for an electric driver, as shown and
described.

(**) Term: **15 Years**

DESCRIPTION

(21) Appl. No.: **29/675,445**

FIG. 1 is a perspective view of a first embodiment of an
electric driver.

(22) Filed: **Jan. 2, 2019**

FIG. 2 is a front elevational view of the first embodiment of
the electric driver.

(51) **LOC (12) Cl.** **12-12**

FIG. 3 is a rear elevational view of the first embodiment of
the electric driver.

(52) **U.S. Cl.**
USPC **D12/131**

FIG. 4 is a right side view of the first embodiment of the
electric driver;

(58) **Field of Classification Search**
USPC D12/128–133
CPC A61G 5/00–14
See application file for complete search history.

FIG. 5 is a left side view of the first embodiment of the
electric driver;

FIG. 6 is a top plan view of the first embodiment of the
electric driver.

(56) **References Cited**

FIG. 7 is a perspective view of a second embodiment of an
electric driver.

U.S. PATENT DOCUMENTS

D397,645 S * 9/1998 Schaffner D12/131
D404,693 S * 1/1999 Schaffner D12/131
7,021,641 B2 * 4/2006 Wu A61G 5/042
280/250.1
D523,788 S * 6/2006 Jones D12/131
7,066,290 B2 * 6/2006 Fought A61G 5/043
180/65.51
D590,304 S * 4/2009 Kruse D12/131
D627,270 S * 11/2010 Kretschmer D12/131
D632,229 S * 2/2011 Kruse D12/131
8,616,309 B2 * 12/2013 Art B60K 1/04
180/65.1
8,851,214 B2 * 10/2014 Mirzaie A61G 5/1078
180/65.1

FIG. 8 is a front elevational view of the second embodiment
of the electric driver.

FIG. 9 is a rear elevational view of the second embodiment
of the electric driver.

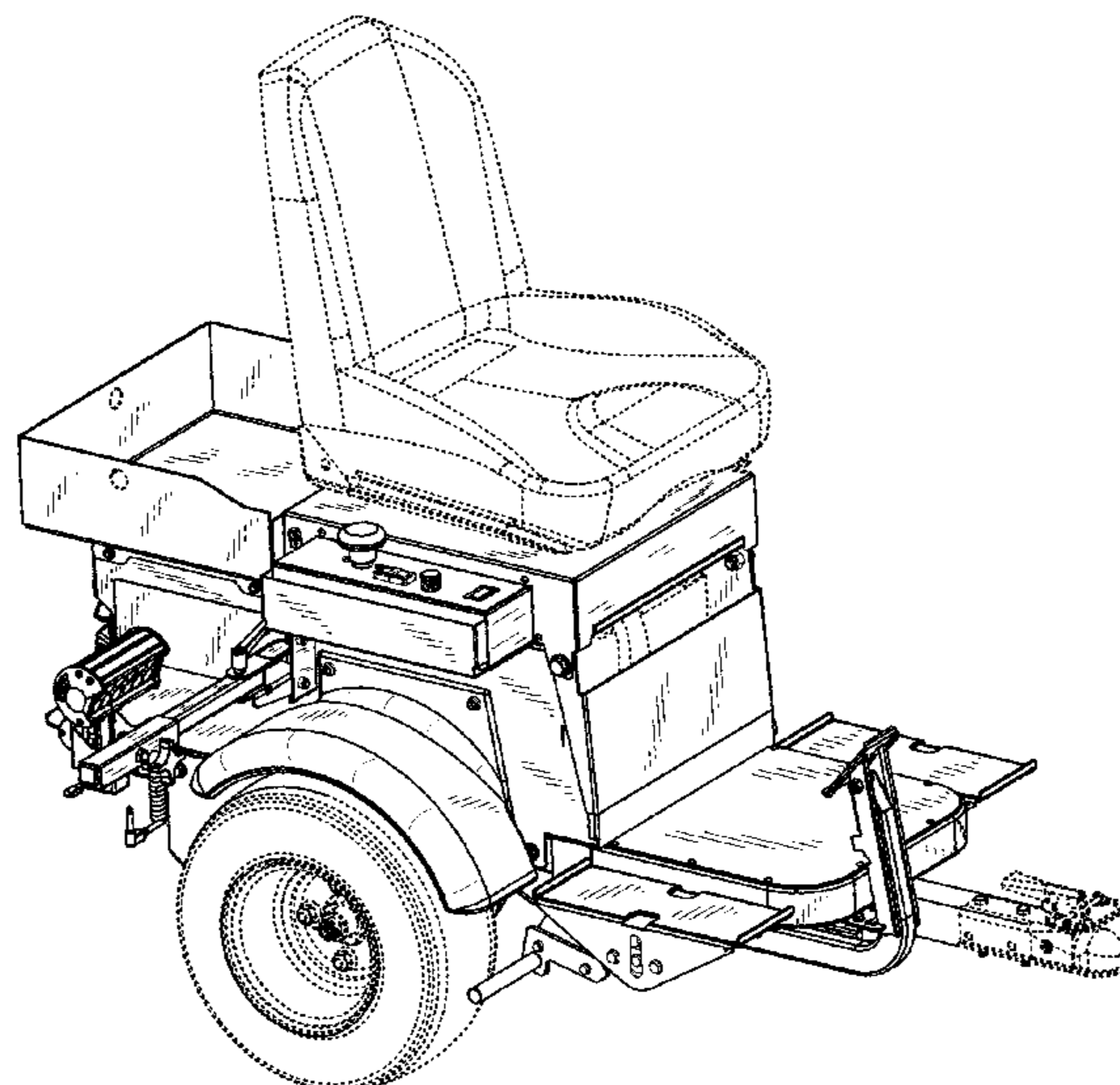
FIG. 10 is a right side view of the second embodiment of the
electric driver;

FIG. 11 is a left side view of the second embodiment of the
electric driver; and,

FIG. 12 is a top plan view of the second embodiment of the
electric driver.

The broken lines in the Figures are for environmental
purposes only and form no part of the claimed design.

1 Claim, 12 Drawing Sheets



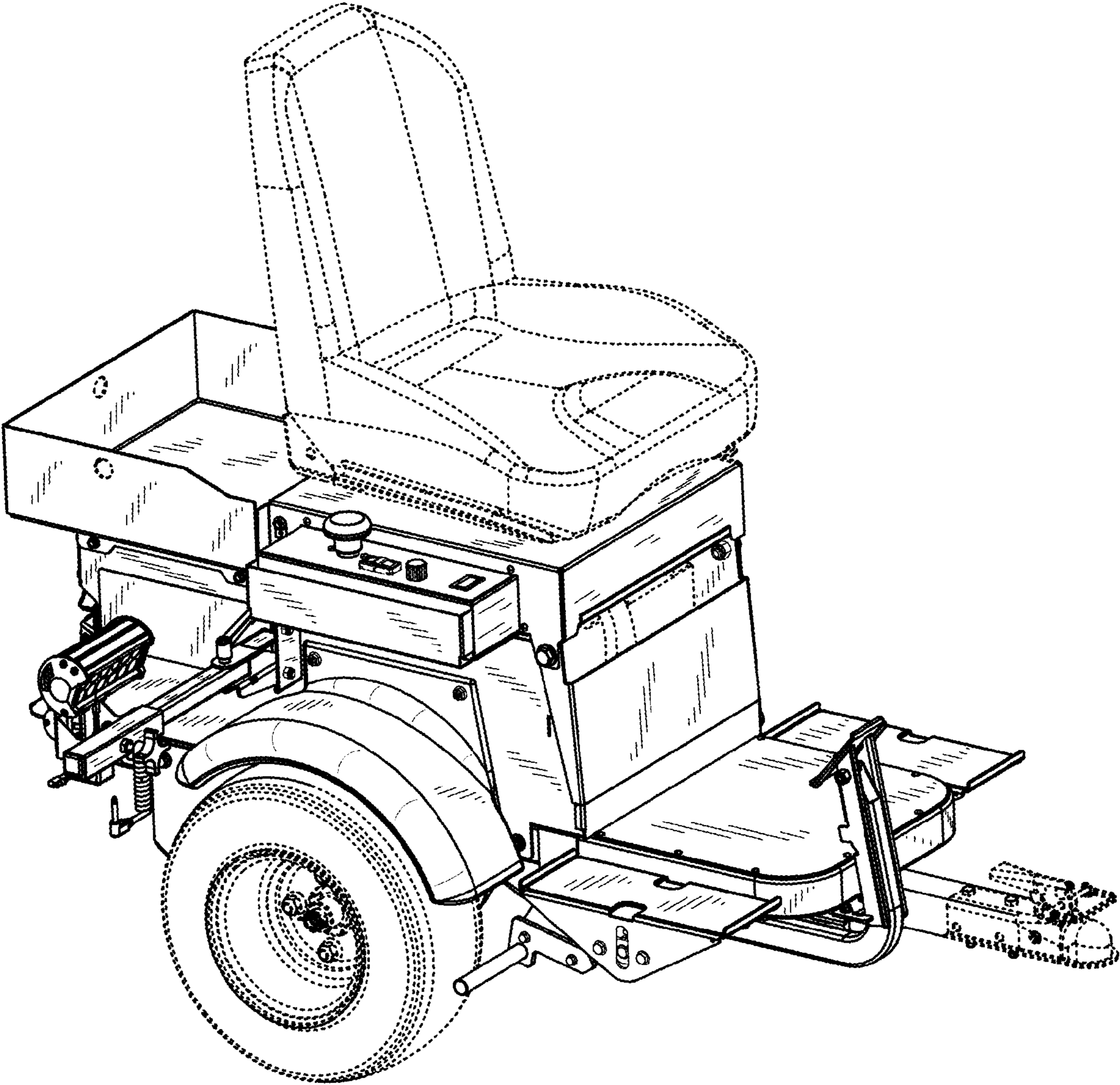


Fig. 1

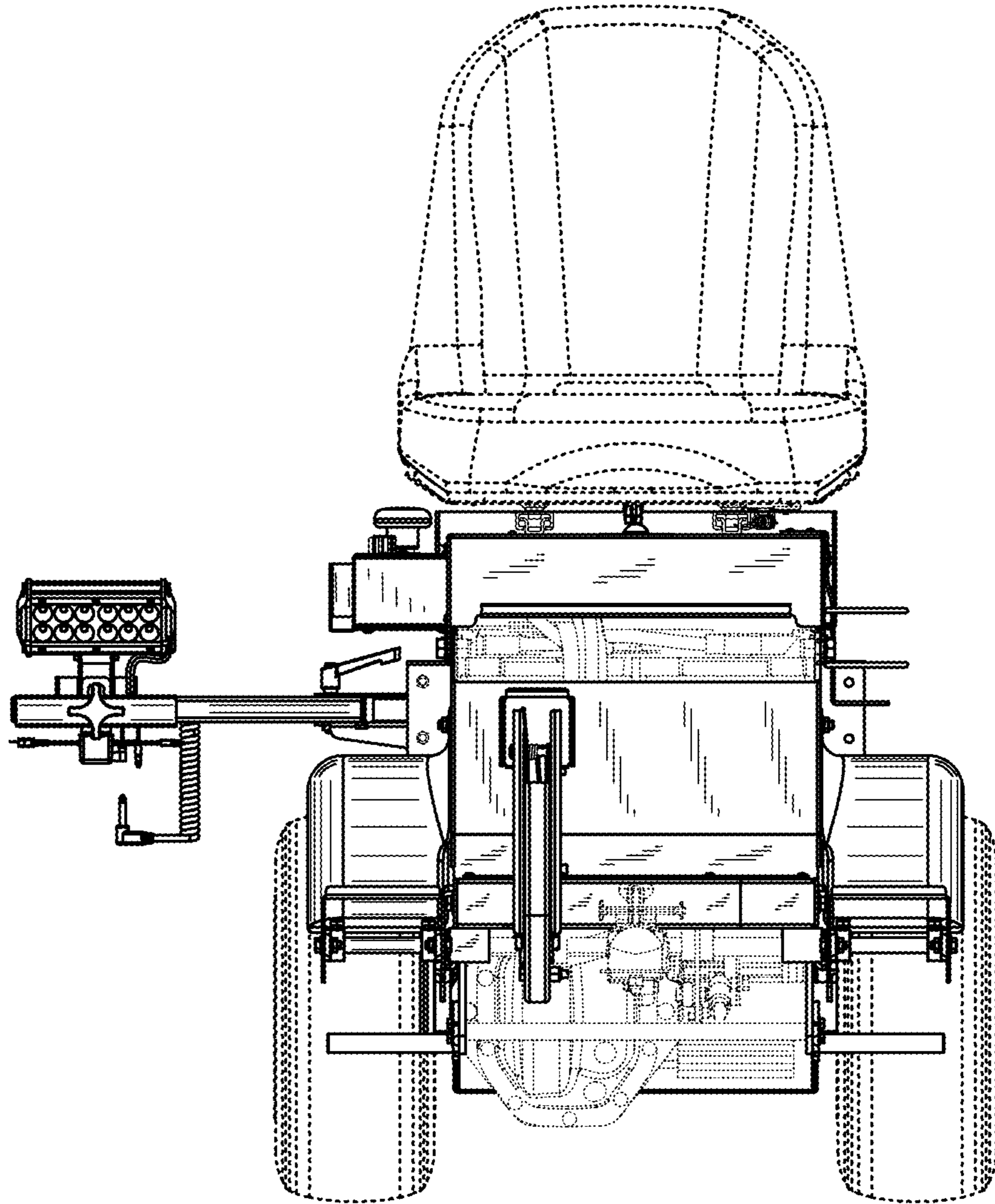


Fig. 2

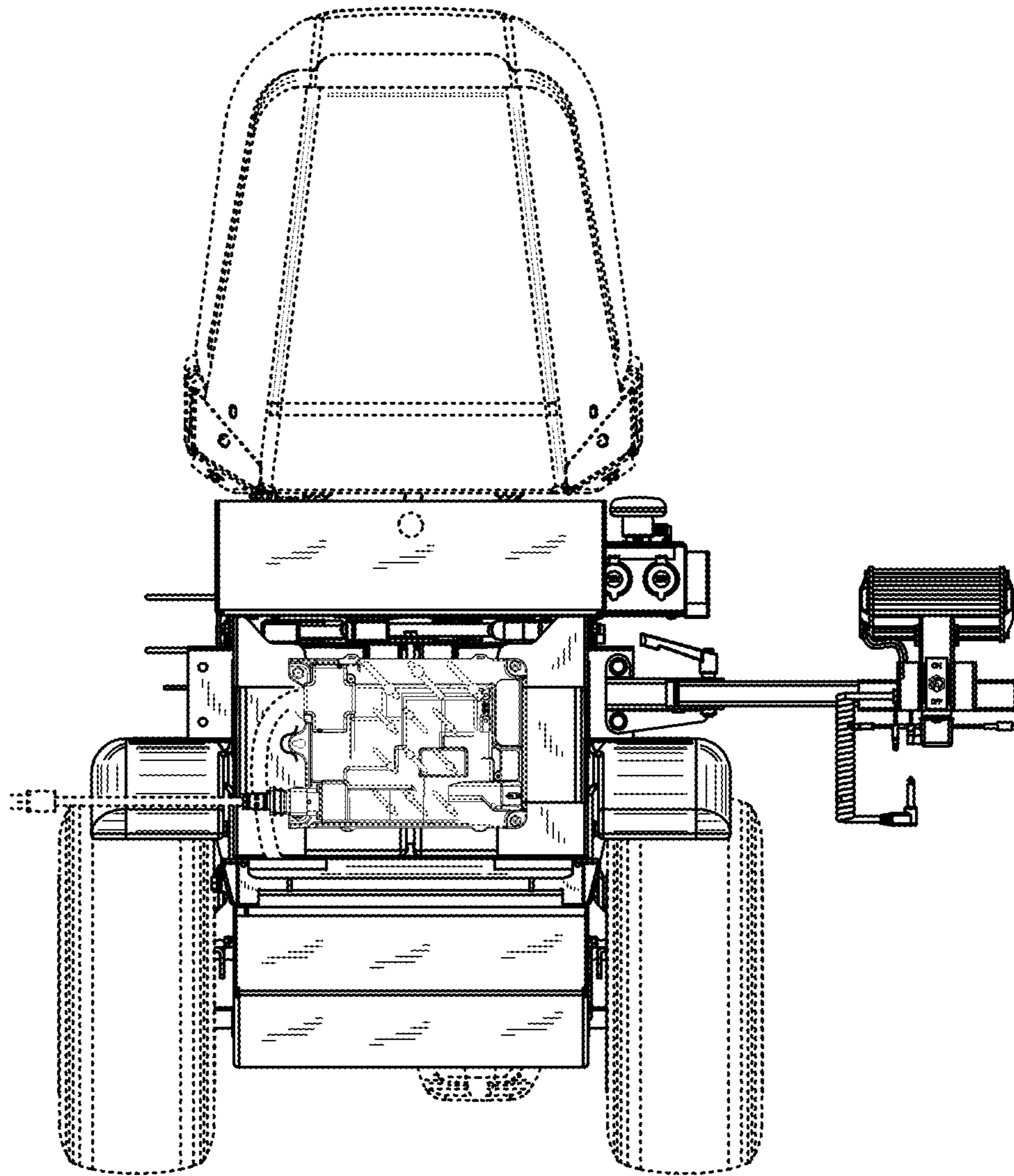


Fig. 3

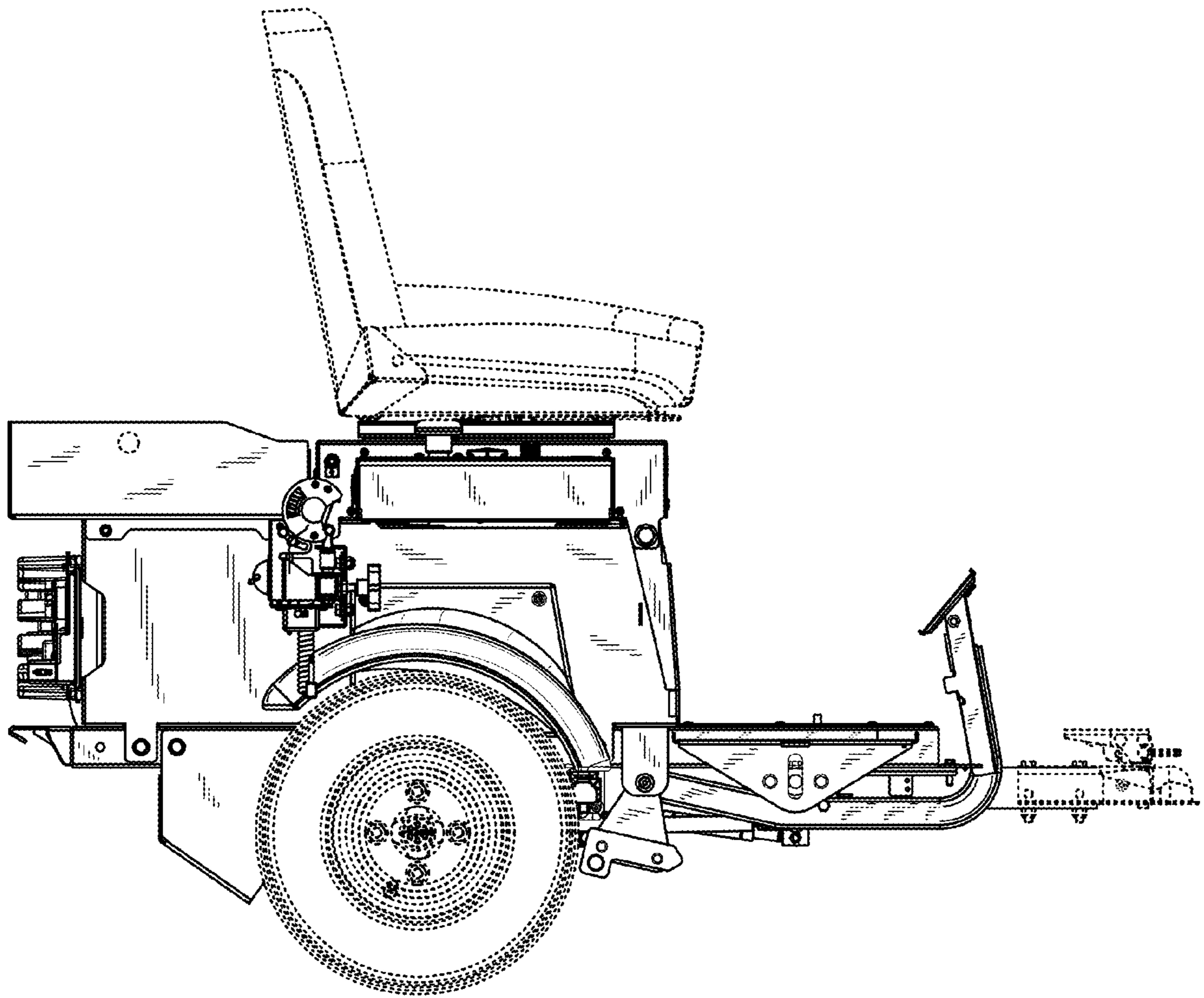


Fig. 4

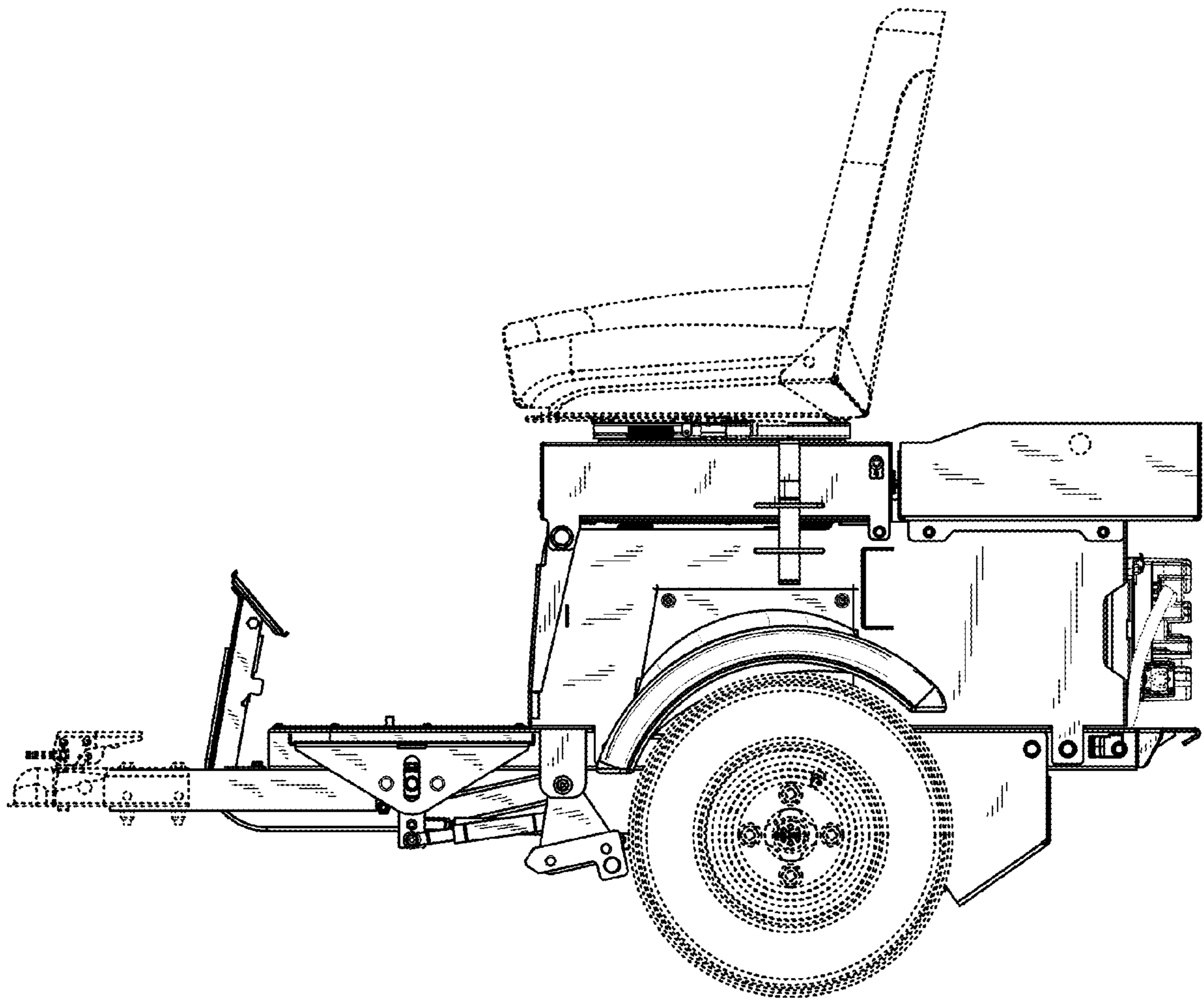


Fig. 5

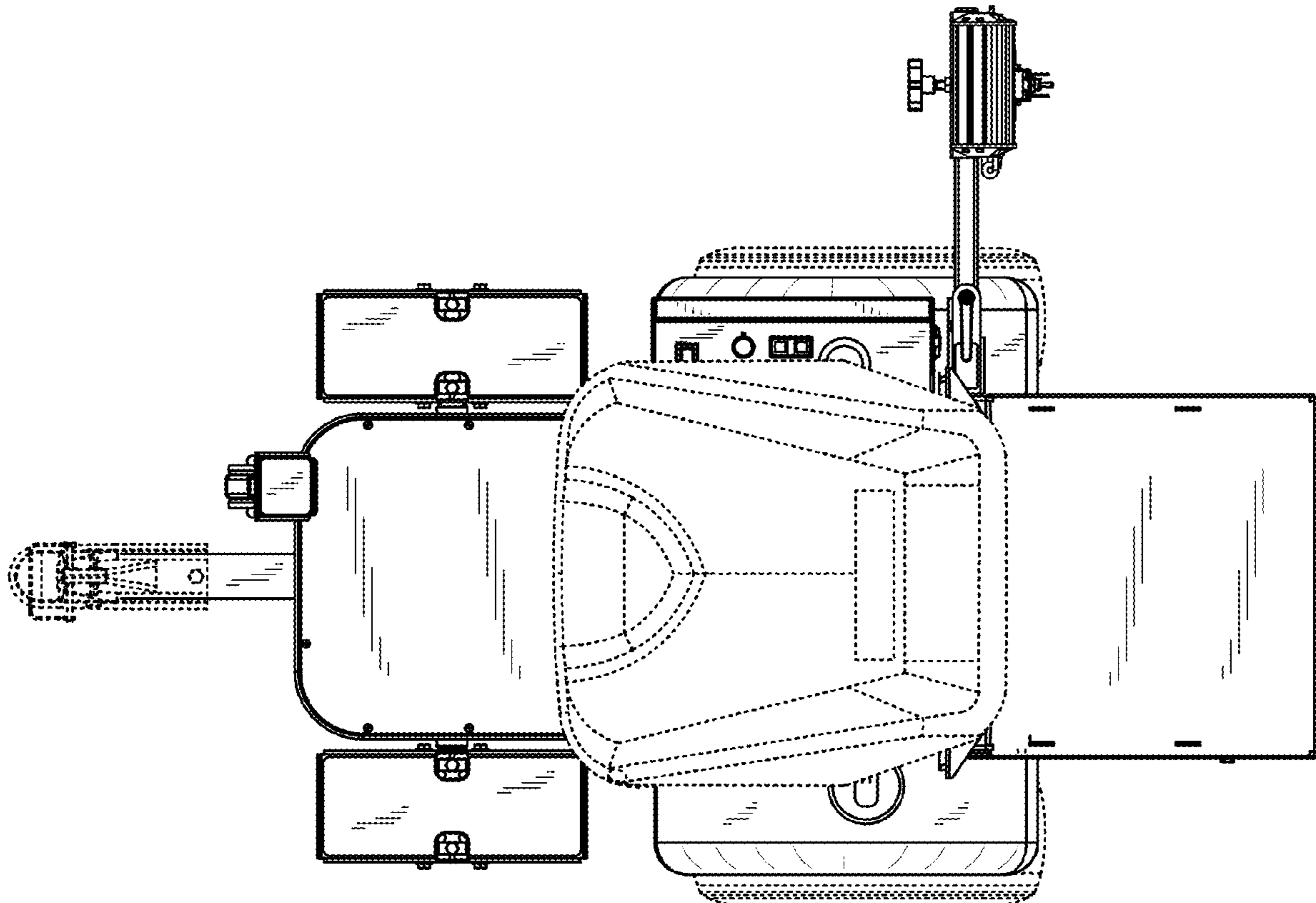


Fig. 6

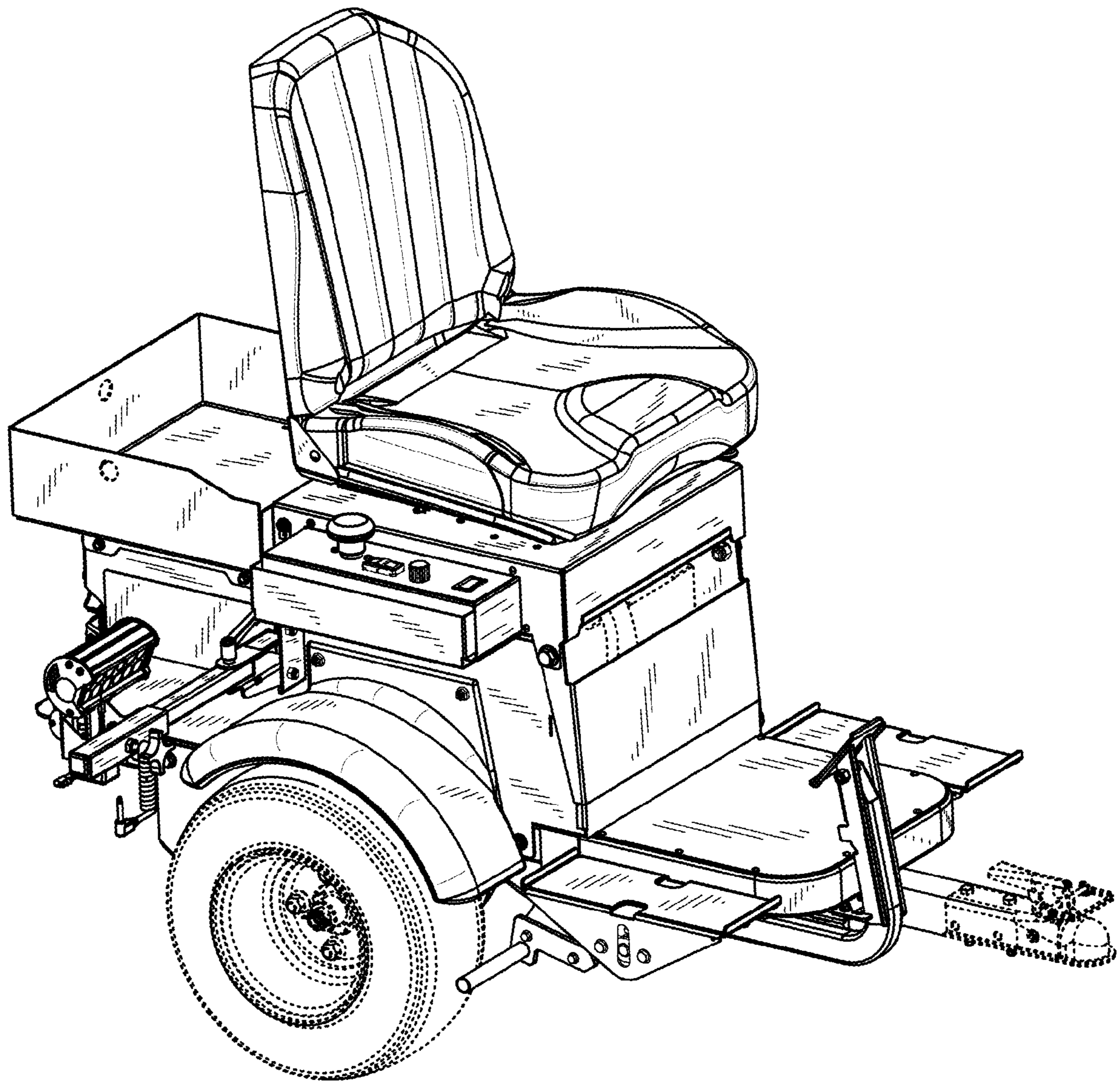


Fig. 7

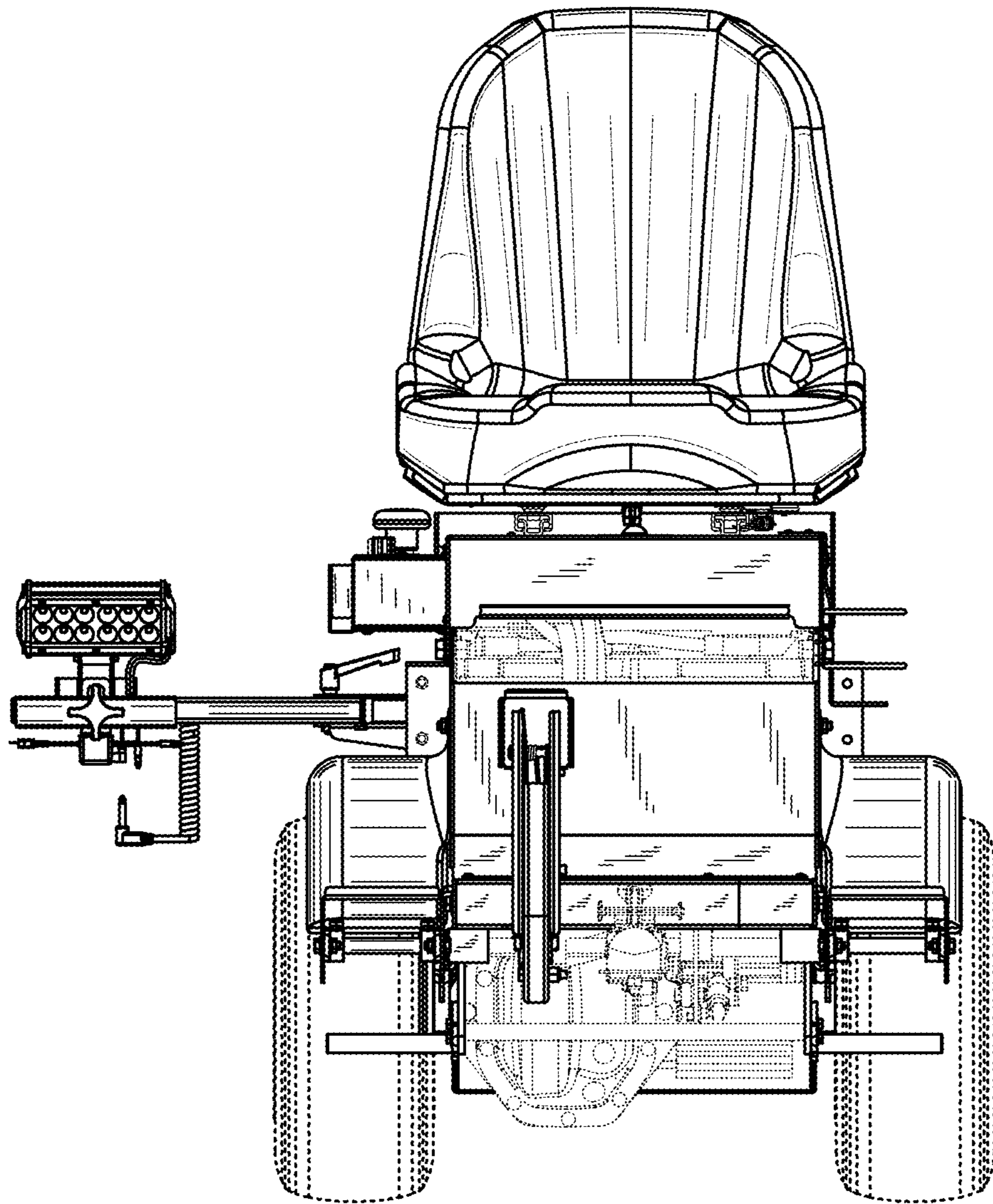


Fig. 8

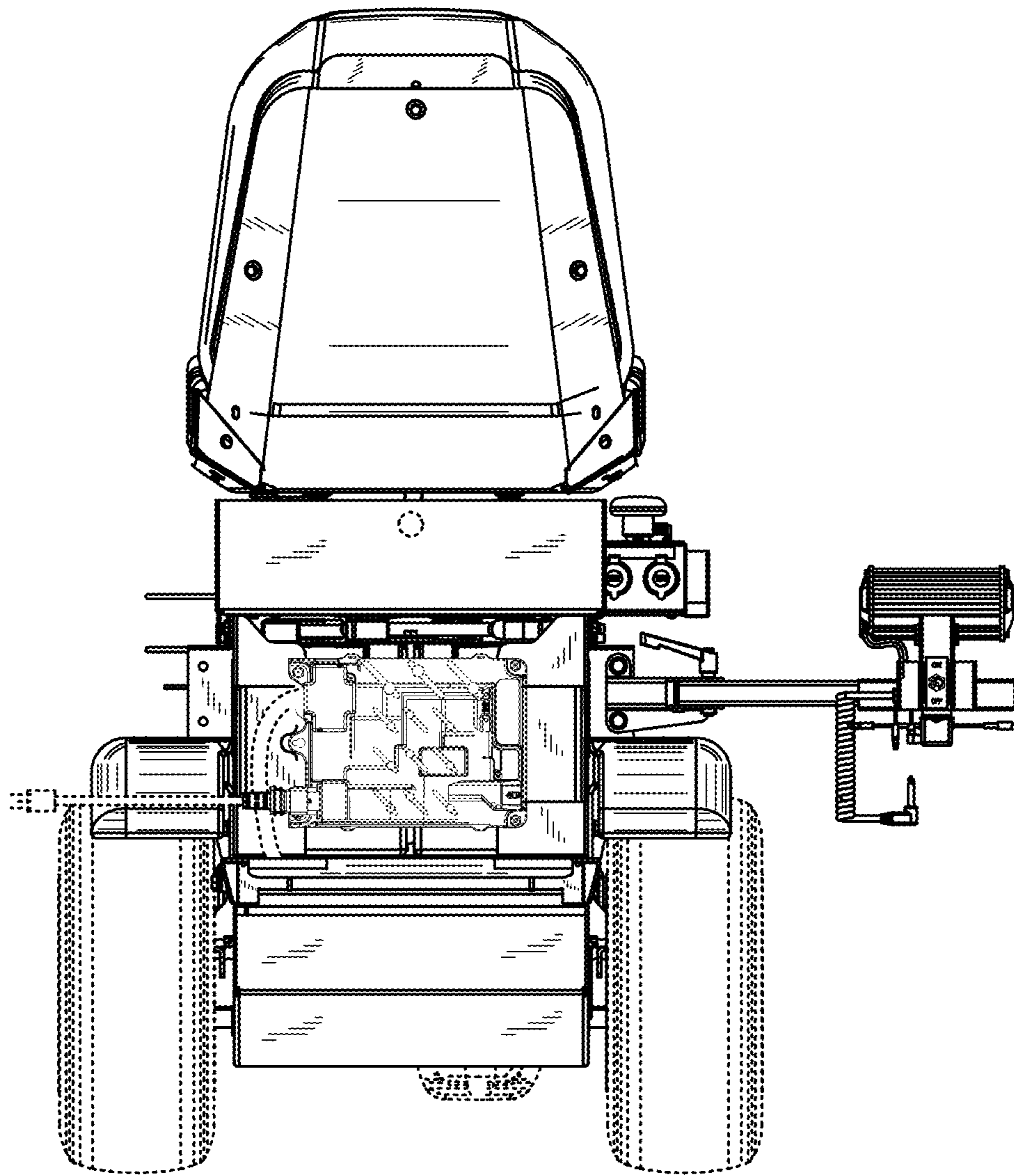


Fig. 9

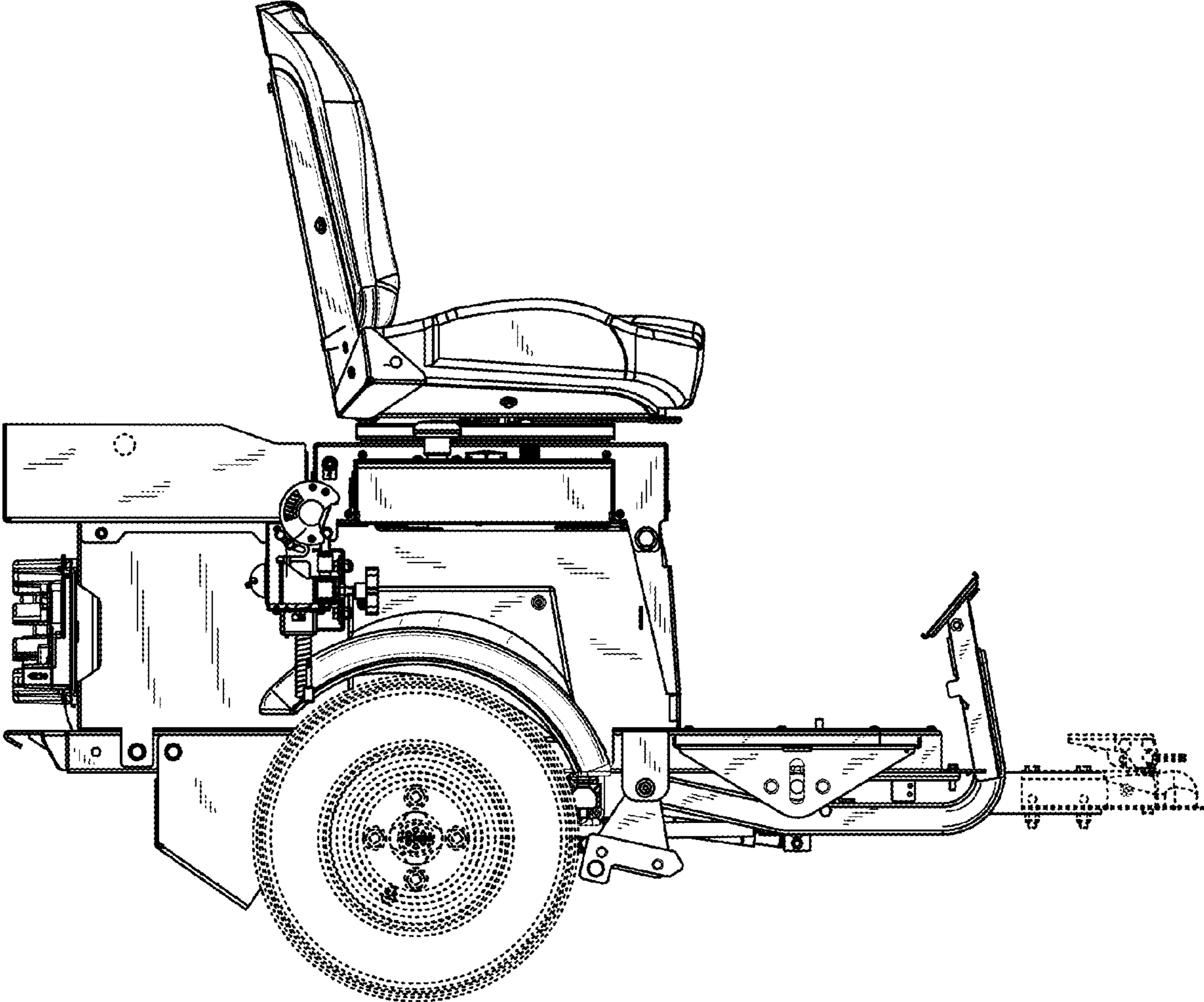


Fig. 10

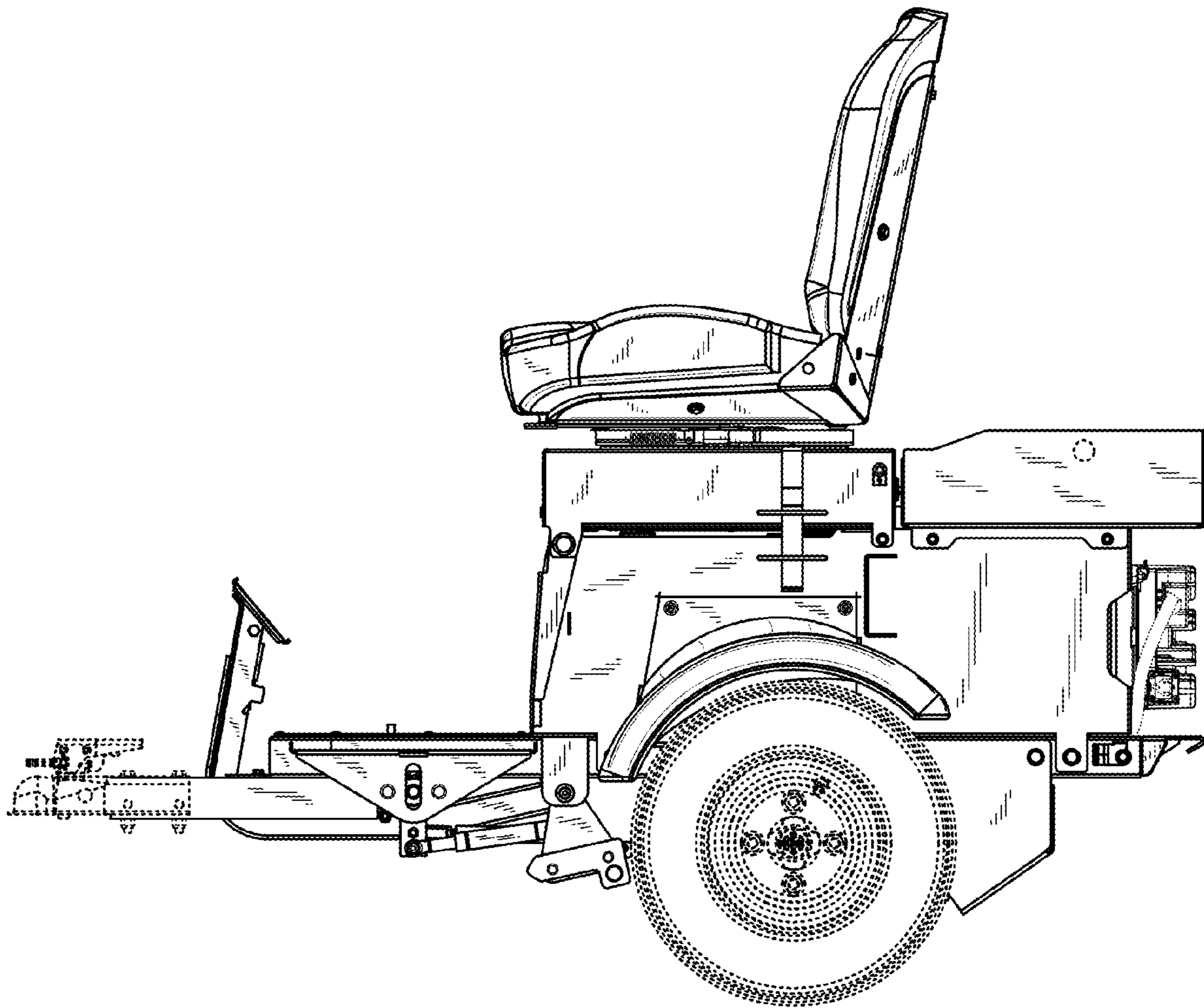


Fig. 11

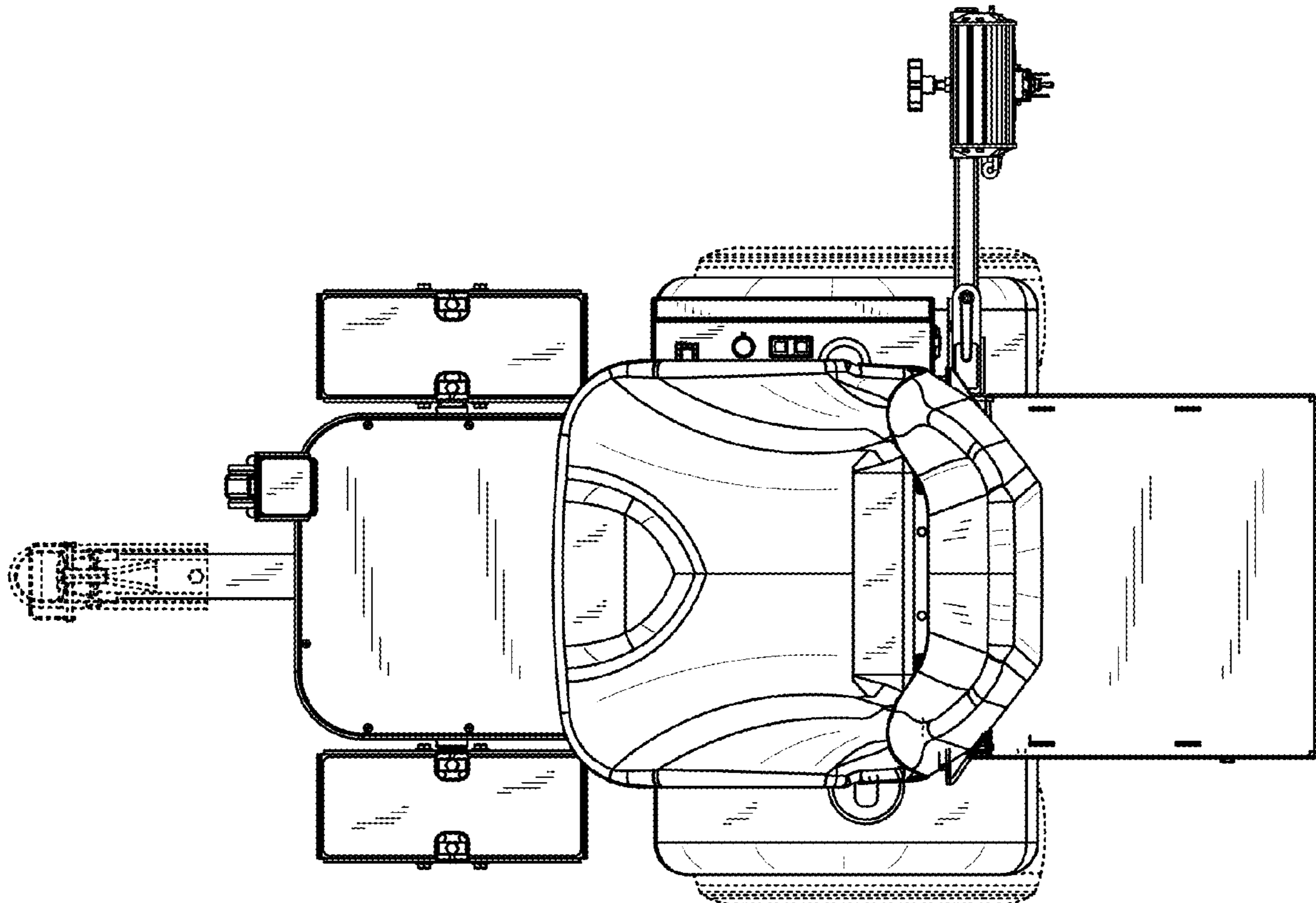


Fig. 12