



US00D885992S

(12) **United States Design Patent**  
**Shigihara et al.**

(10) **Patent No.:** **US D885,992 S**  
(45) **Date of Patent:** **\*\* Jun. 2, 2020**

(54) **FRONT SIDE COVER FOR A MOTORCYCLE**

(71) Applicant: **HONDA MOTOR CO., LTD.**, Tokyo (JP)

(72) Inventors: **Takashi Shigihara**, Wako (JP); **Hirota Mizunoya**, Wako (JP)

(73) Assignee: **HONDA MOTOR CO., LTD.**, Tokyo (JP)

(\*\*) Term: **15 Years**

(21) Appl. No.: **29/671,628**

(22) Filed: **Nov. 28, 2018**

(30) **Foreign Application Priority Data**

May 31, 2018 (JP) ..... 2018-011917

(51) **LOC (12) Cl.** ..... **12-11**

(52) **U.S. Cl.**  
USPC ..... **D12/126; D12/114**

(58) **Field of Classification Search**  
USPC ..... D12/110, 114, 126, 182, 184, 186  
CPC ... B62J 17/00; B62J 17/02; B62J 17/04; B62J 23/00; B62K 11/00; B62K 11/02; B62K 11/04

See application file for complete search history.

(56) **References Cited**

**U.S. PATENT DOCUMENTS**

D526,606 S *	8/2006	Ban	.....	D12/182
D608,260 S *	1/2010	Toriyama	.....	D12/186
D639,218 S *	6/2011	Katagiri	.....	D12/186
D660,202 S *	5/2012	Petersson	.....	D12/126
D674,323 S *	1/2013	Tokumura	.....	D12/126
D683,275 S *	5/2013	Yanagita	.....	D12/126
D689,411 S *	9/2013	Tsukui	.....	D12/126
D689,800 S *	9/2013	Futamata	.....	D12/126
D690,625 S *	10/2013	Futamata	.....	D12/126

D690,627 S *	10/2013	Tsukui	.....	D12/126
D694,157 S *	11/2013	Katagiri	.....	D12/126
D695,157 S *	12/2013	Tsukui	.....	D12/126
D696,161 S *	12/2013	Yamazaki	.....	D12/126
D711,291 S *	8/2014	Futamata	.....	D12/114
D712,314 S *	9/2014	Katagiri	.....	D12/114
D712,795 S *	9/2014	Tokumura	.....	D12/114
D726,595 S *	4/2015	Futamata	.....	D12/114
D776,017 S *	1/2017	Takigawa	.....	D12/114
D789,108 S *	6/2017	Marovic	.....	D6/354
2011/0233956 A1 *	9/2011	Okubo	.....	B62J 17/00 296/78.1
2014/0084623 A1 *	3/2014	Miyamoto	.....	B62J 25/00 296/180.1
2014/0091596 A1 *	4/2014	Maeda	.....	B62D 25/081 296/192

(Continued)

*Primary Examiner* — Darlington Ly

(74) *Attorney, Agent, or Firm* — Birch, Stewart, Kolasch & Birch, LLP

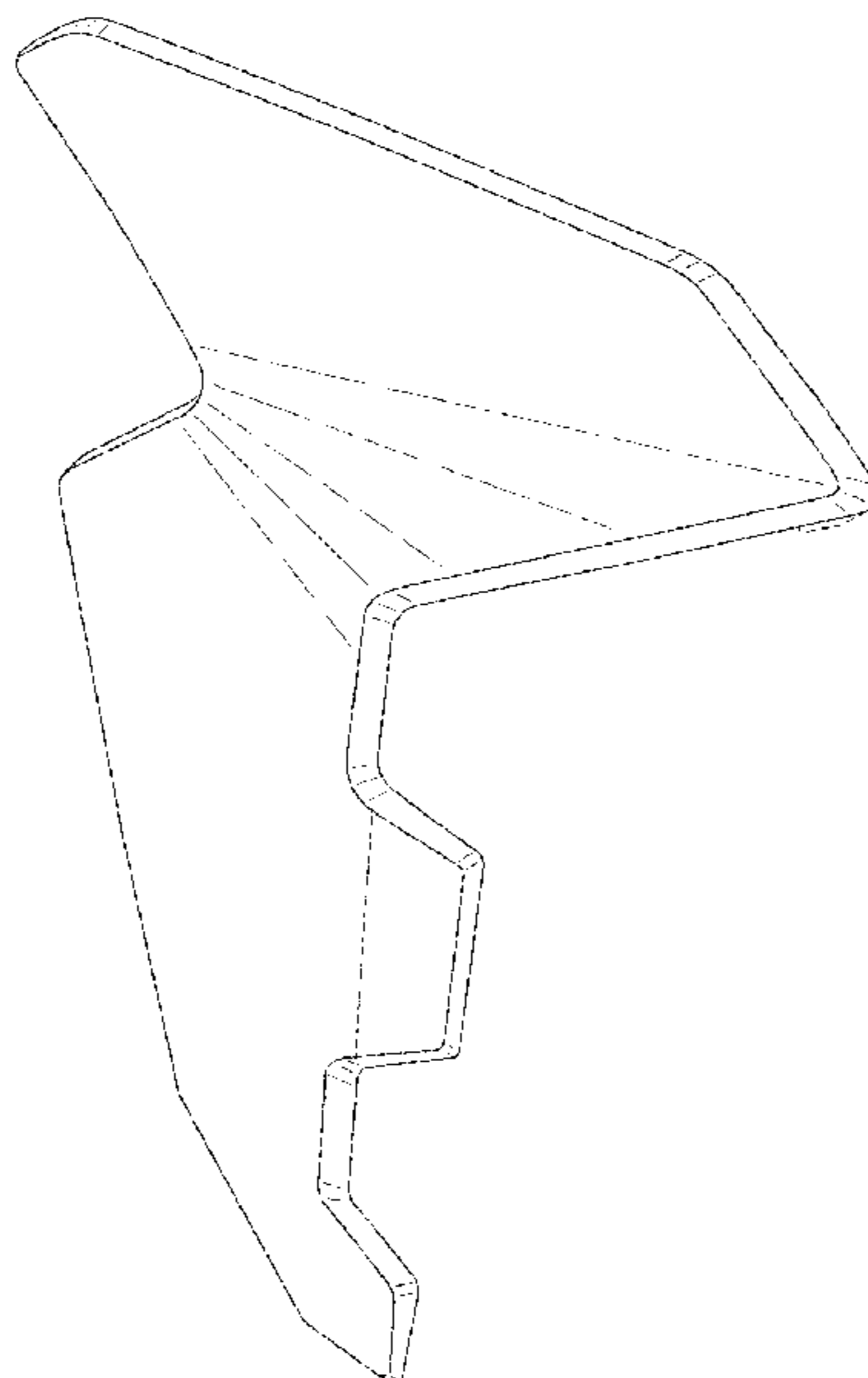
(57) **CLAIM**

The ornamental design for a front side cover for a motorcycle, as shown and described.

**DESCRIPTION**

FIG. 1 is a front and right side perspective view of a front side cowl for a motorcycle showing our new design; FIG. 2 is a front elevation view thereof; FIG. 3 is a right side elevation view thereof; FIG. 4 is a left side elevation view thereof; FIG. 5 is a top plan view thereof; FIG. 6 is a bottom plan view thereof; FIG. 7 is a front and left side perspective view thereof; and, FIG. 8 is a front elevation view thereof as installed on an exemplary motorcycle. The broken line showing portions of the cowl and an environmental motorcycle do not form part of the claimed design.

**1 Claim, 8 Drawing Sheets**



(56)

**References Cited**

U.S. PATENT DOCUMENTS

2014/0092613 A1\* 4/2014 Maeda ..... F02M 35/10013  
362/476

\* cited by examiner

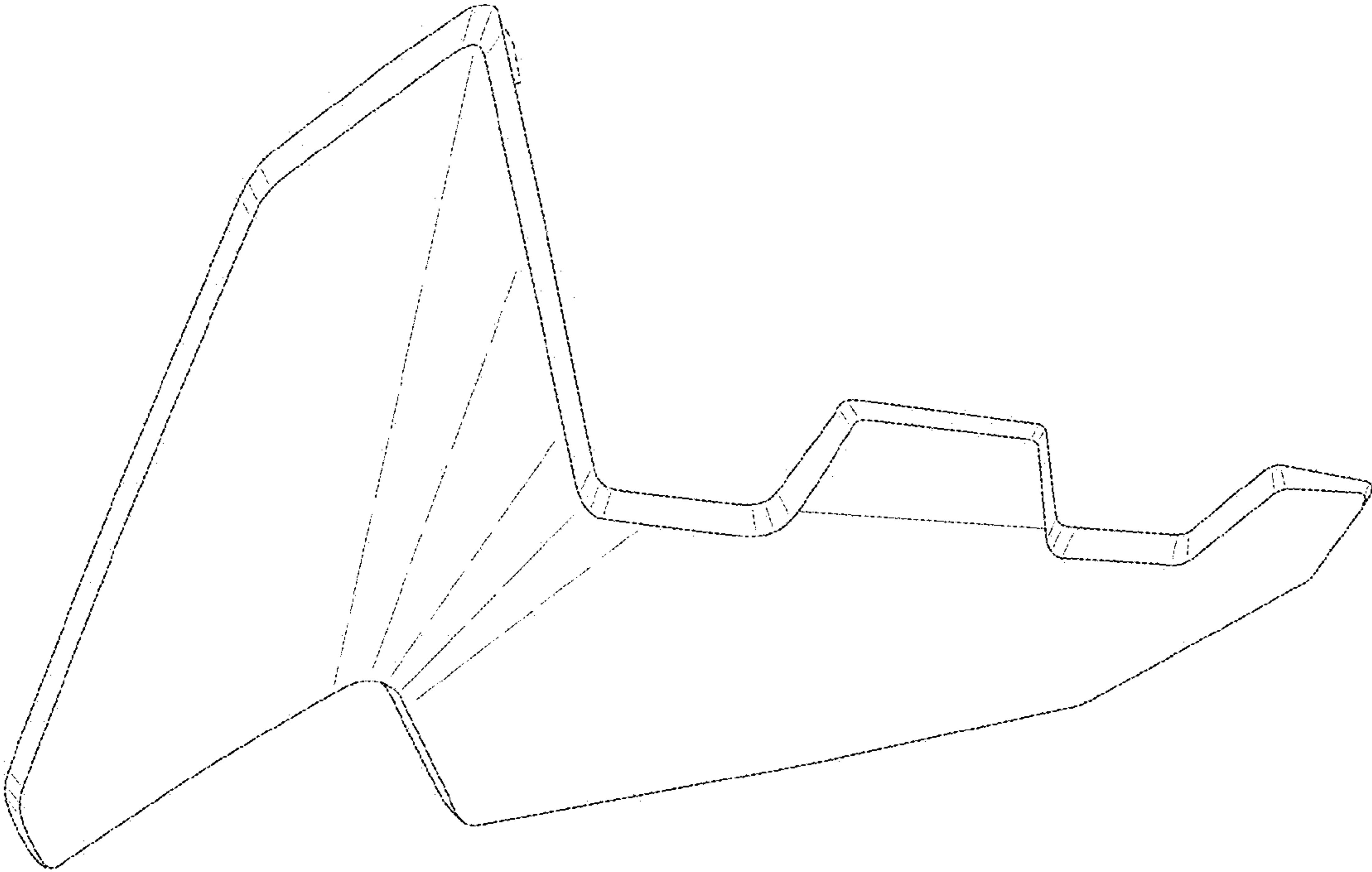


FIG.1

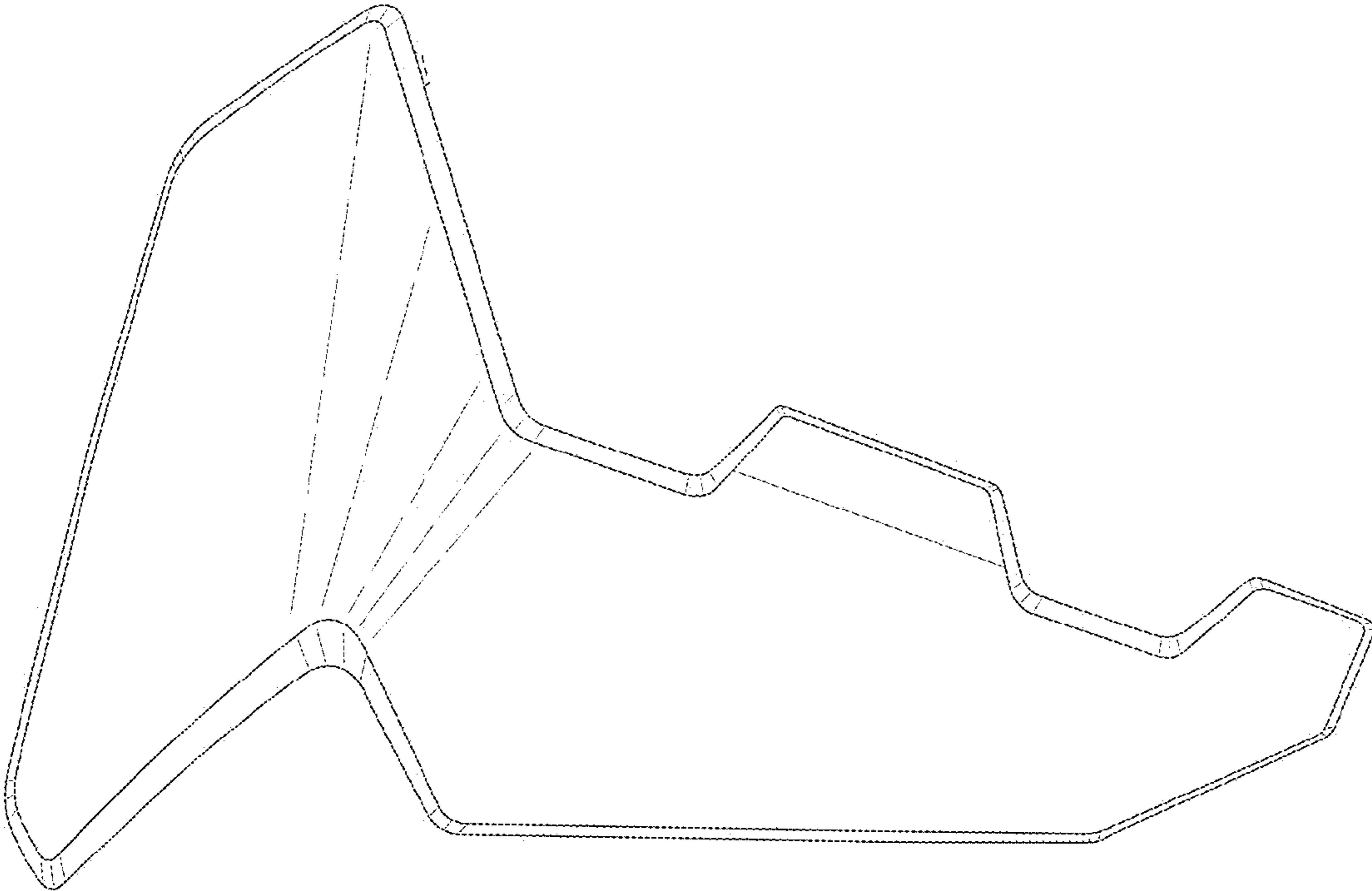


FIG.2

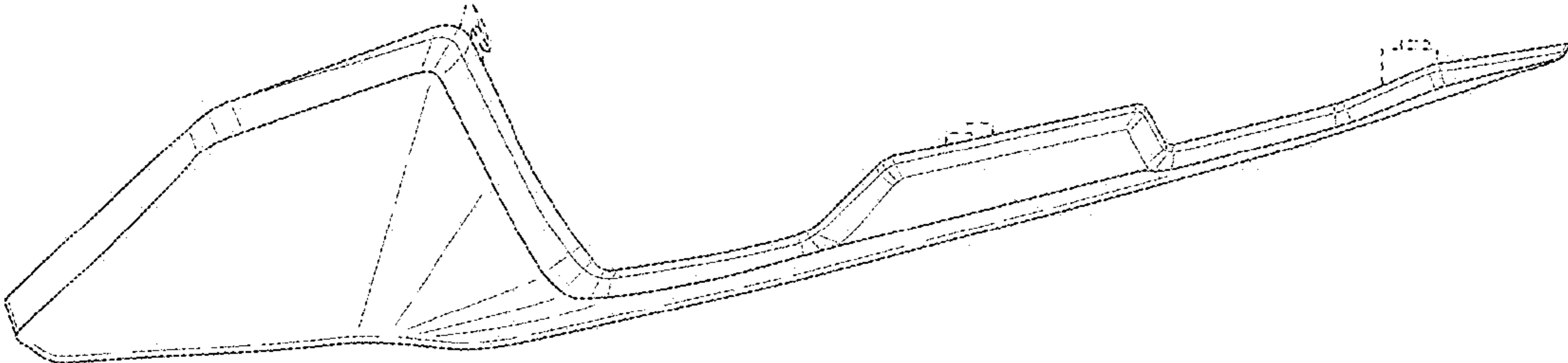


FIG.3

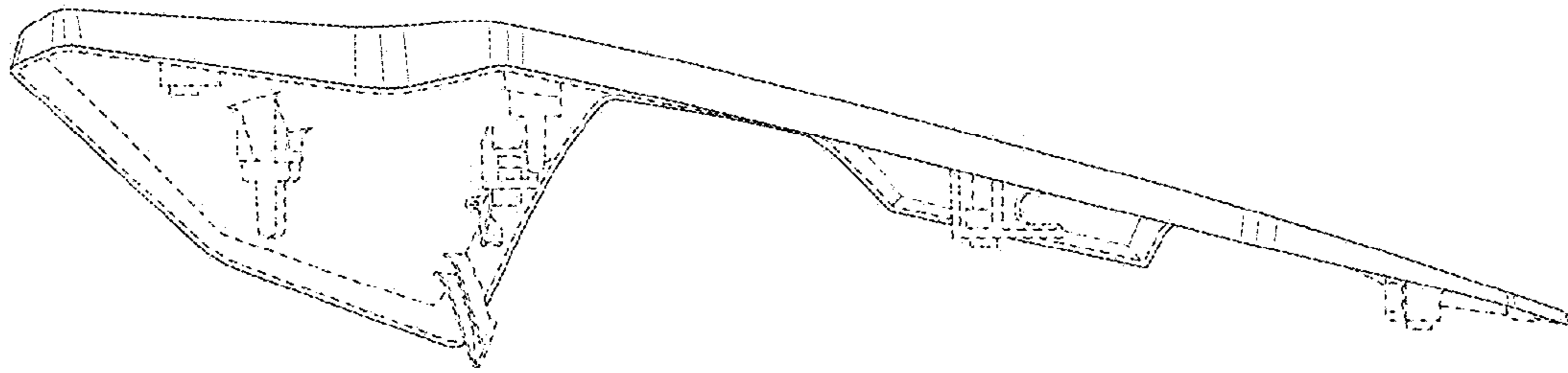


FIG.4

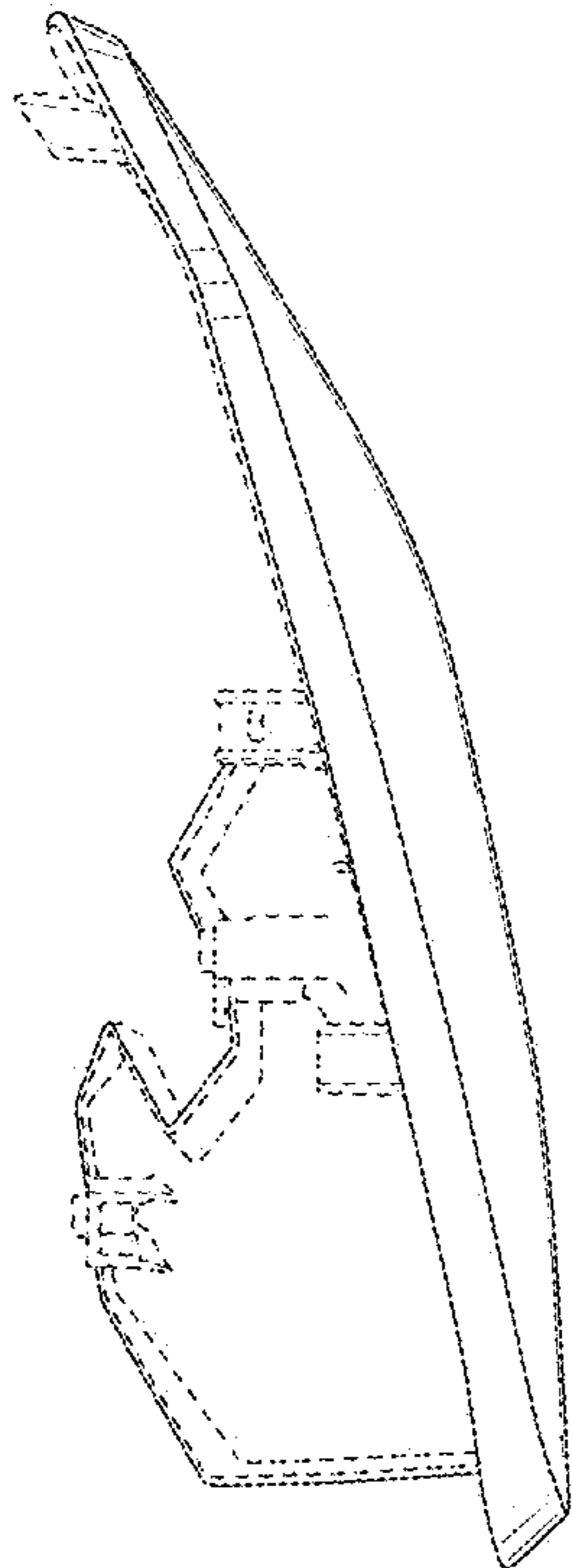


FIG.5

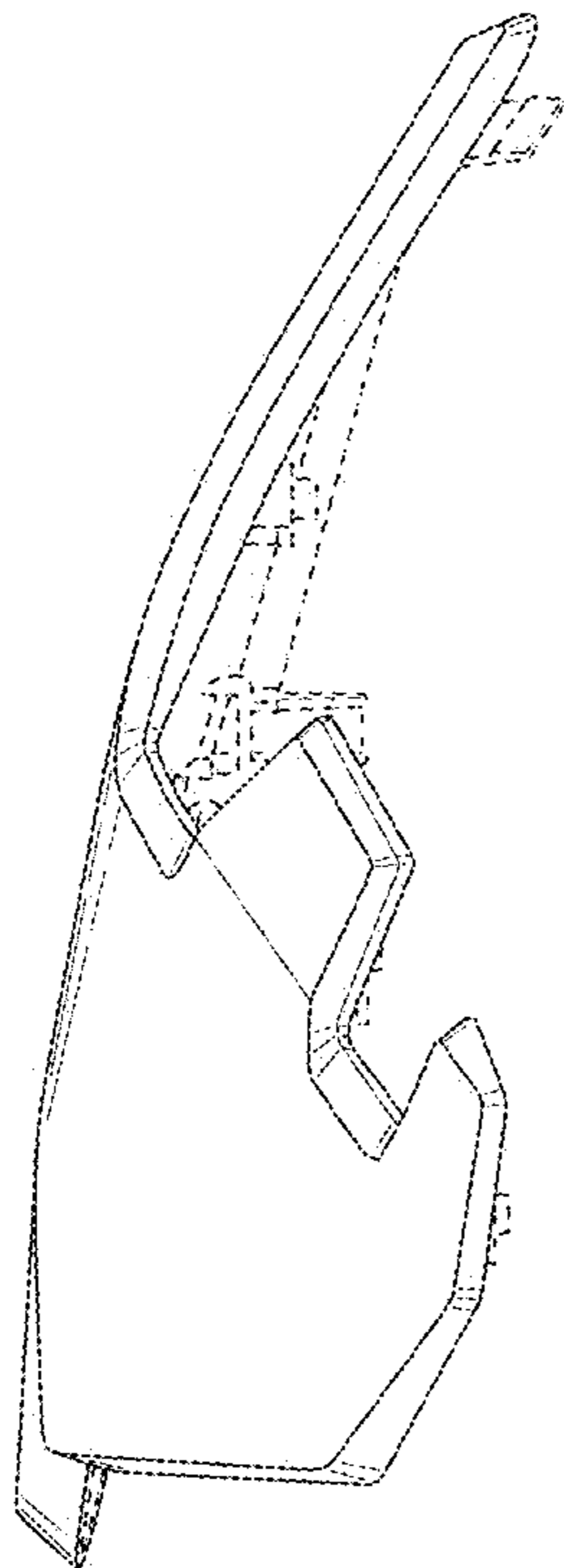


FIG.6



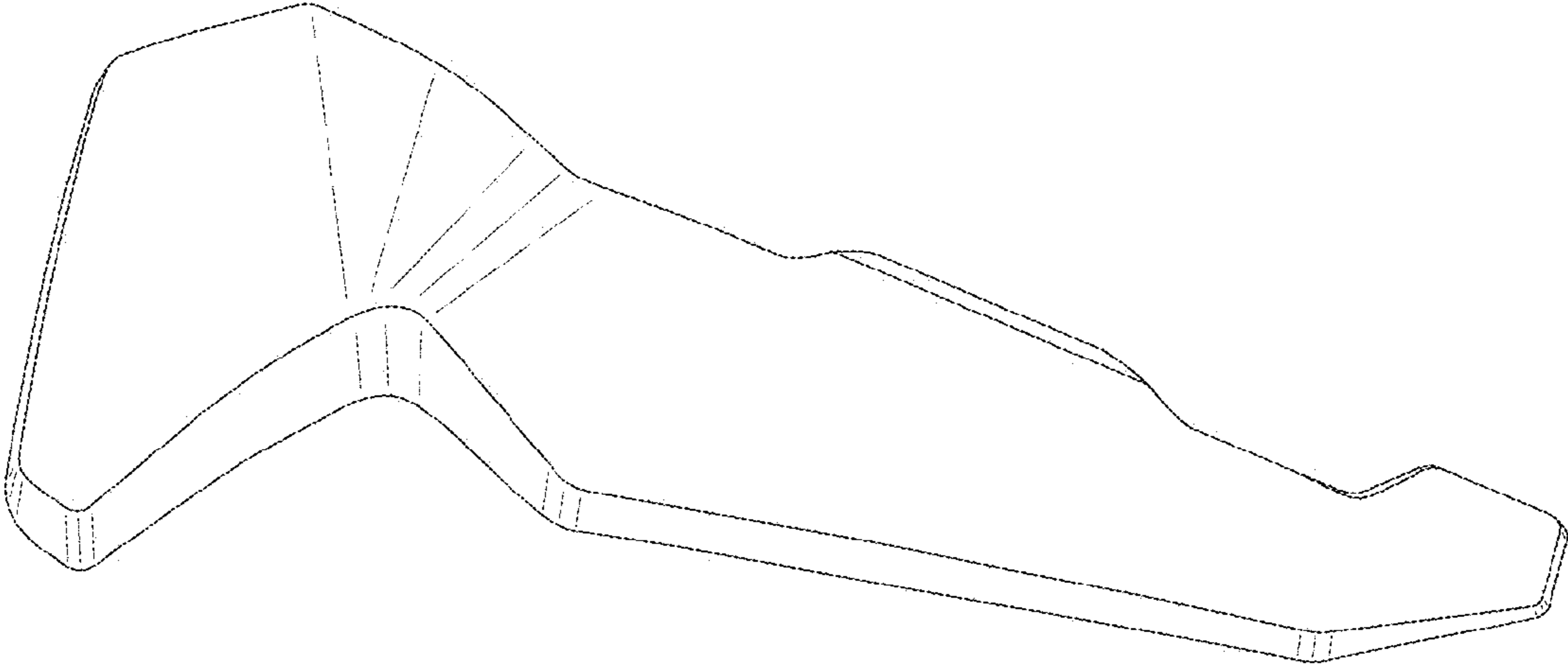


FIG. 7

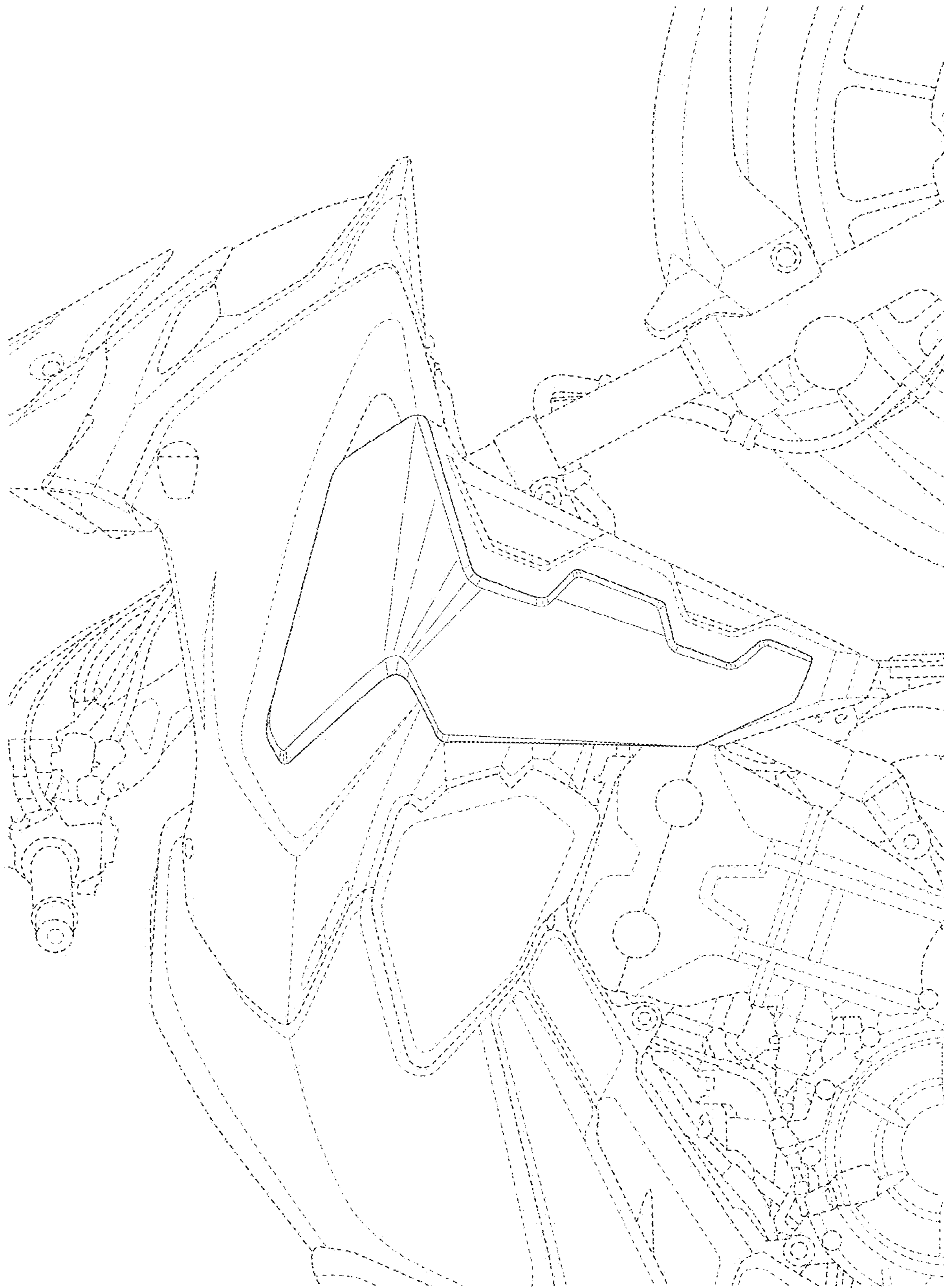


FIG.8