



US00D885988S

(12) **United States Design Patent**
Richards et al.

(10) **Patent No.:** **US D885,988 S**
(45) **Date of Patent:** **** Jun. 2, 2020**

- (54) **MOTORCYCLE SWINGARM**
- (71) Applicant: **Harley-Davidson Motor Company Group, LLC, Milwaukee, WI (US)**
- (72) Inventors: **Brad Richards, Grafton, WI (US); Frank Savage, Fox Point, WI (US); Dais Nagao, Menomonee Falls, WI (US); Stephen Collins, Fond du Lac, WI (US)**
- (73) Assignee: **Harley-Davidson Motor Company Group, LLC, Milwaukee, WI (US)**
- (**) Term: **15 Years**
- (21) Appl. No.: **29/660,271**
- (22) Filed: **Aug. 20, 2018**
- (51) **LOC (12) Cl.** **12-11**
- (52) **U.S. Cl.**
USPC **D12/117**
- (58) **Field of Classification Search**
USPC D12/110, 114, 117, 118, 159, 160
CPC B62K 11/00; B62K 25/283; B62K 25/286
See application file for complete search history.

7,178,620 B2 * 2/2007 Toyoda B62K 25/283
180/227
D583,717 S * 12/2008 Brown D12/117
D658,095 S * 4/2012 Simon D12/117
9,828,058 B2 * 11/2017 Ishii B62K 11/04
(Continued)

OTHER PUBLICATIONS

“PSR Single Sided Swingarm Rear Motorcycle Stand.” Motorcycle Works., Mar. 29, 2017 [online], [retrieved on Jan. 20, 2020]. Retrieved from the Internet <URL: http://www.motorcycleworks.com/PSR-Single-Sided-Swingarm-Rear-Motorcycle-Stand-Black-02-00100-02_p_64525.html>.*

(Continued)

Primary Examiner — Darlington Ly

(74) *Attorney, Agent, or Firm* — Michael Best & Friedrich LLP

(57) **CLAIM**

We claim the ornamental design for a motorcycle swingarm, as shown and described.

DESCRIPTION

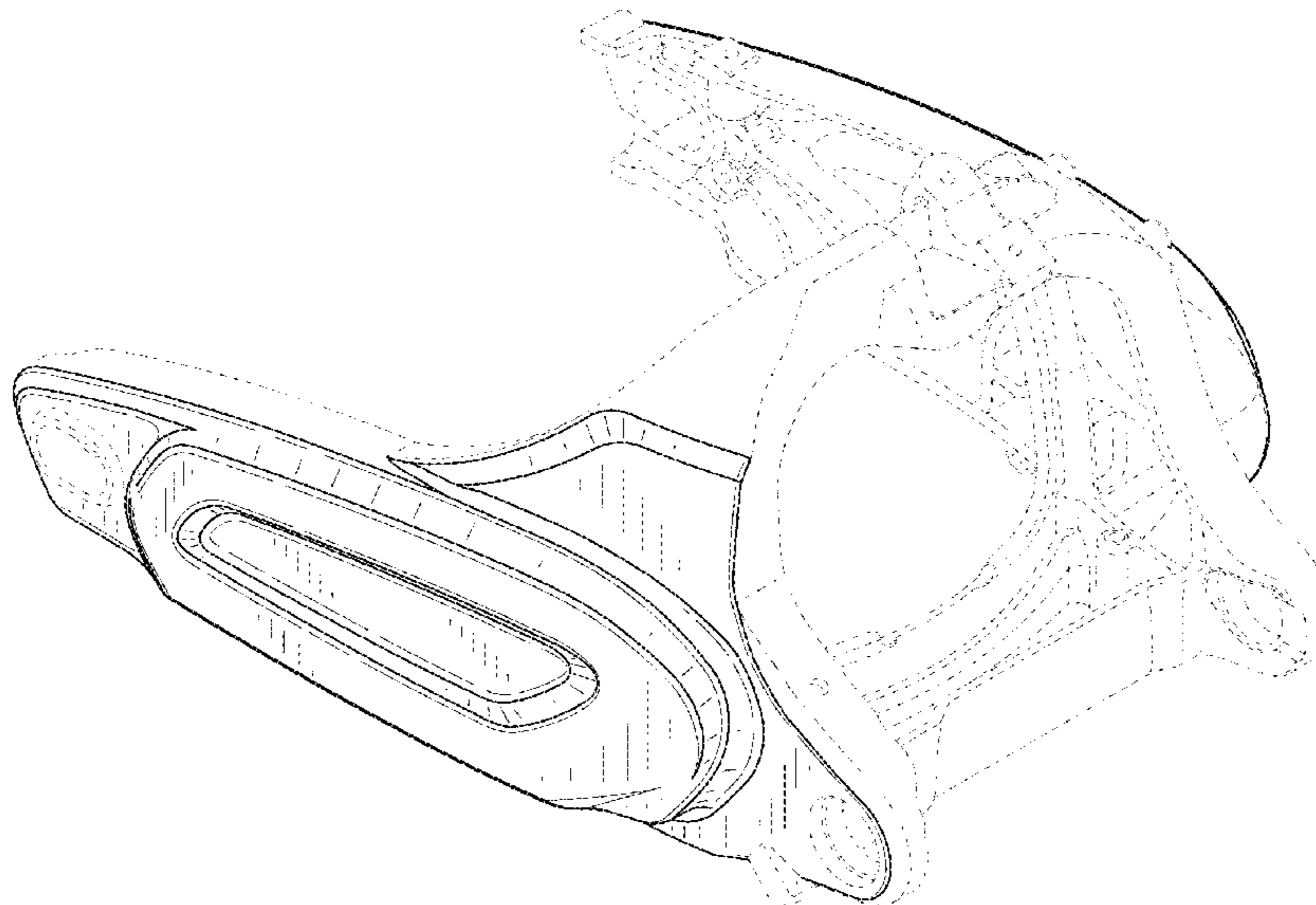
FIG. 1 is a top, front, and right side perspective view of a motorcycle swingarm showing our new design;
 FIG. 2 is a top, rear, and right side perspective view thereof;
 FIG. 3 is a front elevation view thereof;
 FIG. 4 is a rear elevation view thereof;
 FIG. 5 is a right side elevation view thereof;
 FIG. 6 is a left side elevation view thereof;
 FIG. 7 is a top plan view thereof;
 FIG. 8 is a bottom plan view thereof; and,
 FIG. 9 is a top, rear, and right side perspective view thereof when installed onto an exemplary motorcycle.
 The broken lines in the drawings illustrate an environmental motorcycle and portions of the swingarm that do not form part of the claimed design.

1 Claim, 9 Drawing Sheets

(56) **References Cited**

U.S. PATENT DOCUMENTS

6,105,700	A *	8/2000	Williams	B62J 23/00 180/219
D456,317	S *	4/2002	Nakazawa	D12/117
D465,753	S *	11/2002	Hamann	D12/117
6,516,910	B2 *	2/2003	Buell	B62J 31/00 180/219
D496,886	S *	10/2004	Everett	D12/117
D503,363	S *	3/2005	Alsop	D12/117
D509,462	S *	9/2005	Ford	D12/117
D527,314	S *	8/2006	Czysz	D12/117
7,165,301	B2 *	1/2007	Miyashiro	B62K 25/283 29/421.1



(56)

References Cited

U.S. PATENT DOCUMENTS

10,000,252 B2 * 6/2018 Takaya B62K 11/04
10,011,314 B2 * 7/2018 Kajio B62K 11/06

OTHER PUBLICATIONS

Sia Bani. "Swing Arm At the Quail Motorcycle Gathering." Lightning Motorcycle., May 21, 2018 [online], [retrieved on Jan. 20, 2020]. Retrieved from the Internet <URL: <https://lightningmotorcycle.com/gallery/swing-arm-quail-motorcycle-gathering/>>.*

Paul Crowe. "Virus 985 C3 Swingarm Front End Motorcycle." The Kneeslider., Jul. 5, 2006 [online], [retrieved on Jan. 20, 2020]. Retrieved from the Internet <URL: <https://thekneeslider.com/virus-985-c3-swingarm-front-end-motorcycle/>>.*

* cited by examiner

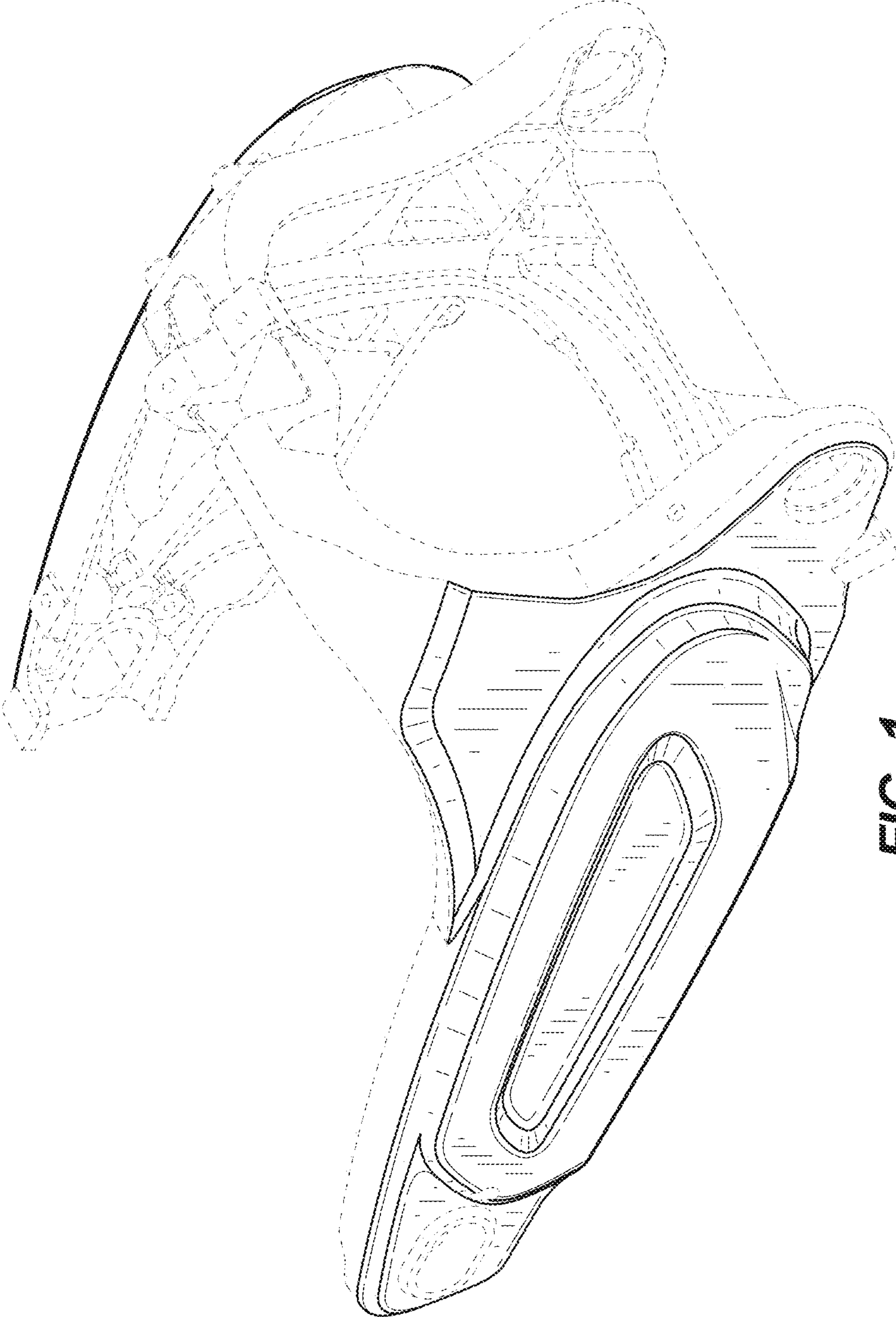


FIG. 1

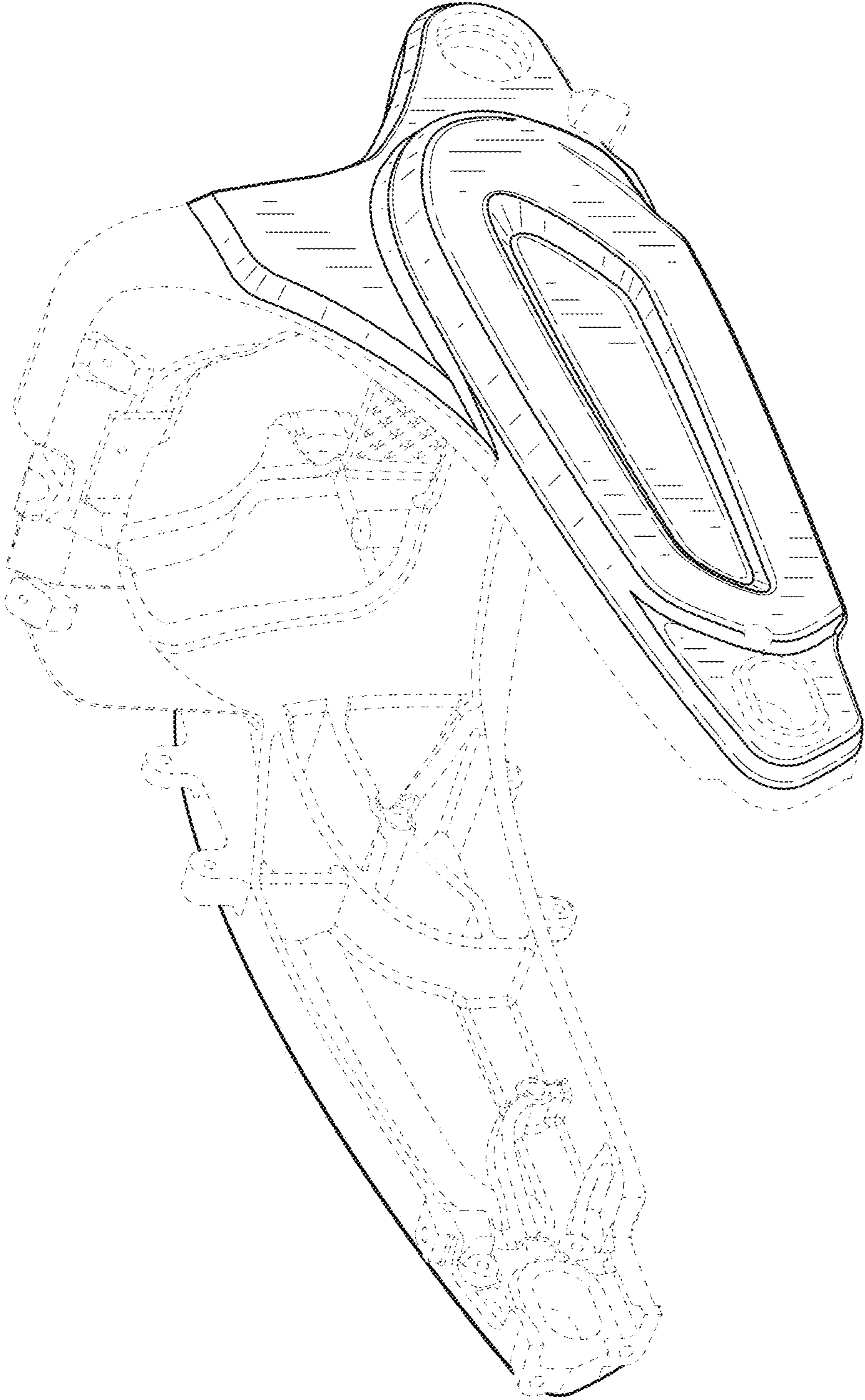


FIG. 2

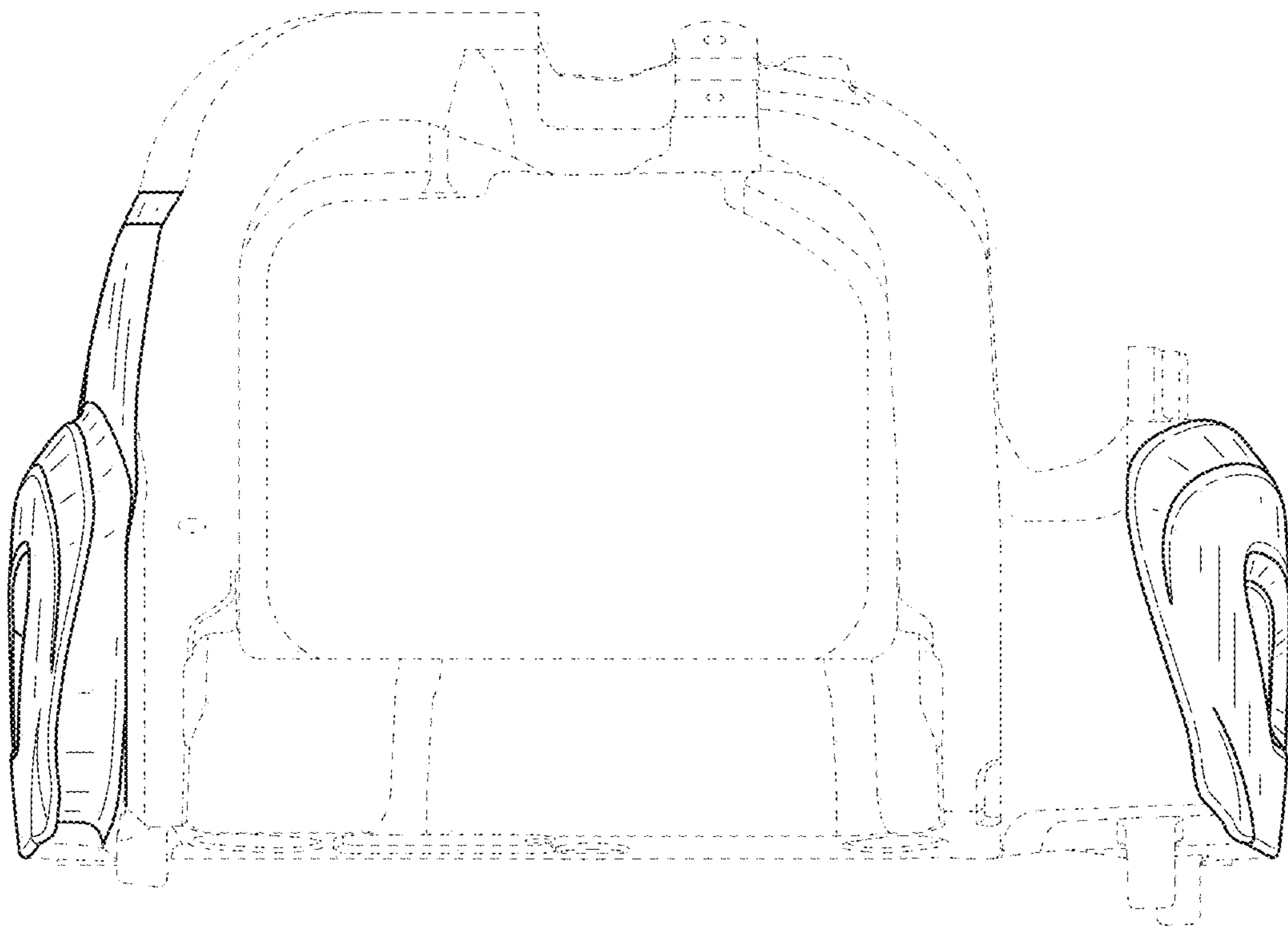


FIG. 3

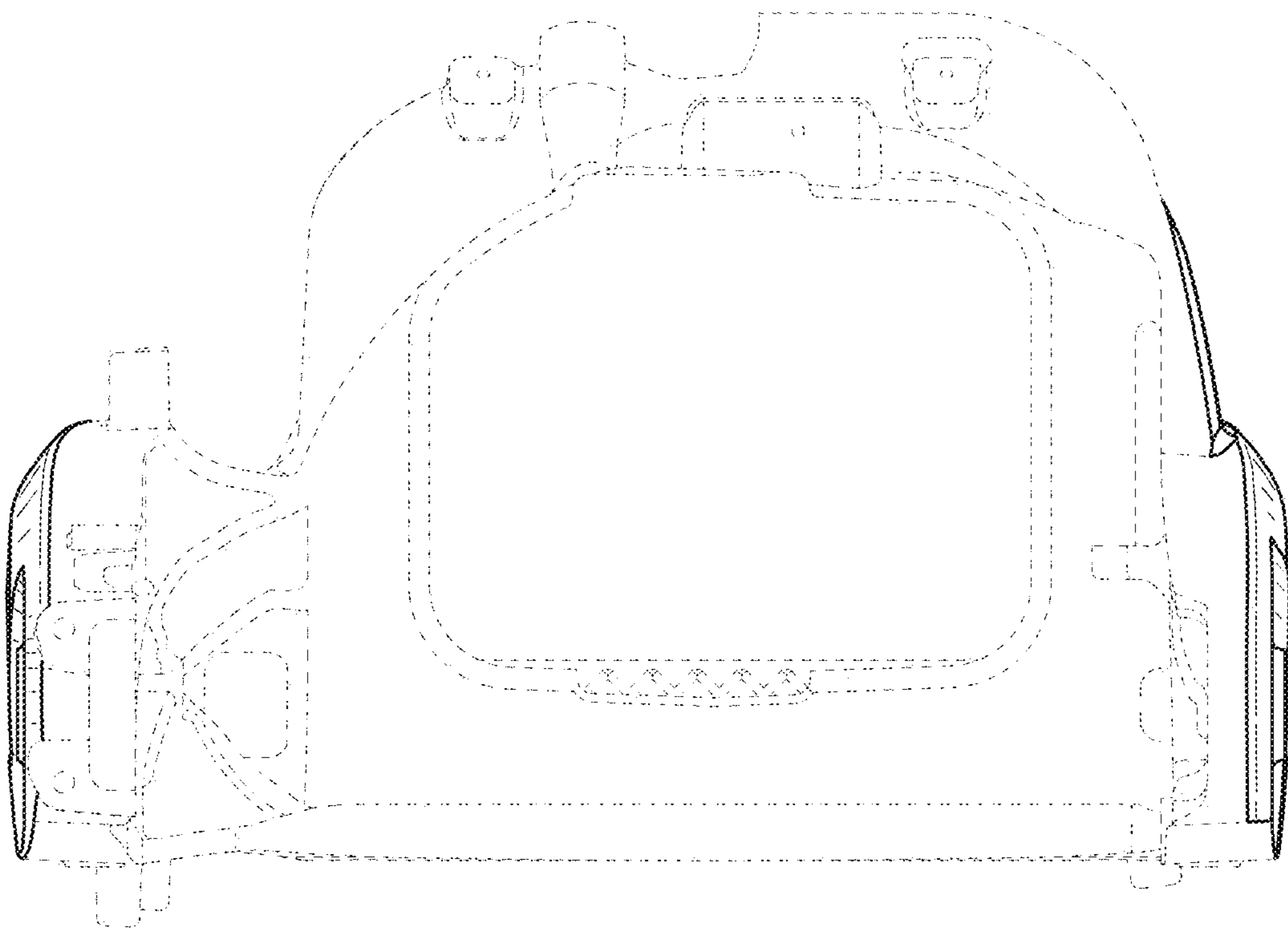


FIG. 4

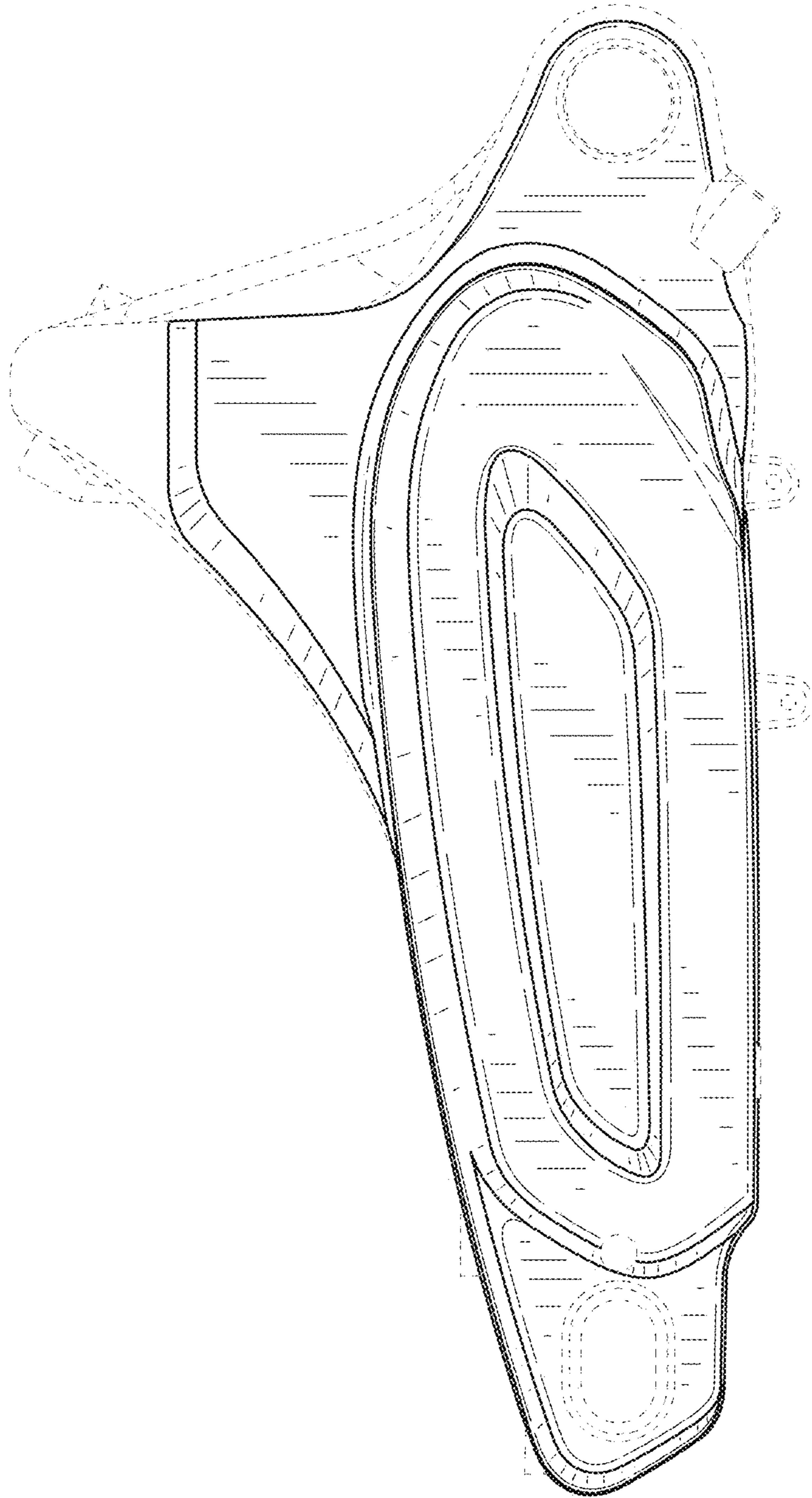


FIG. 5

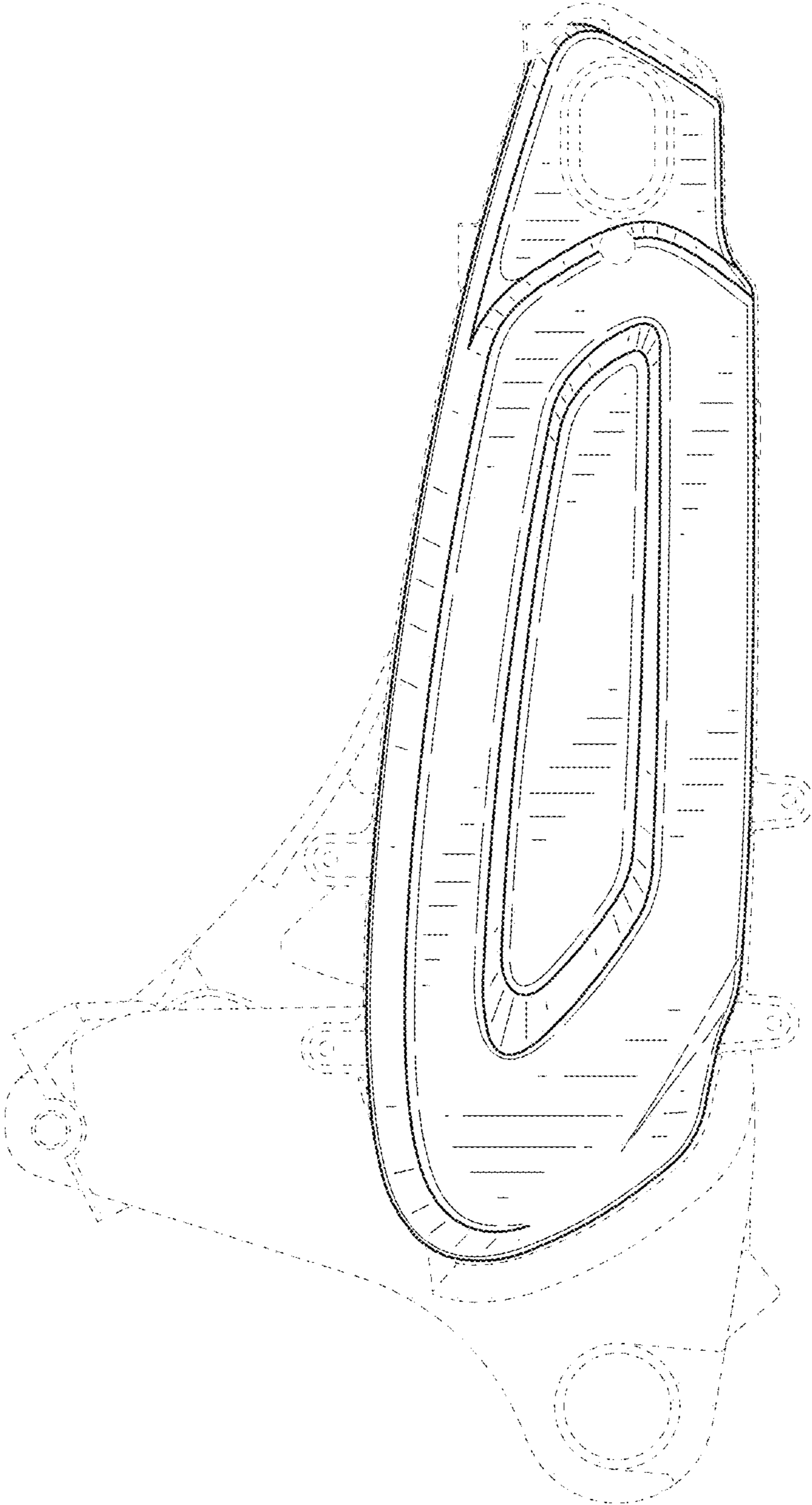


FIG. 6

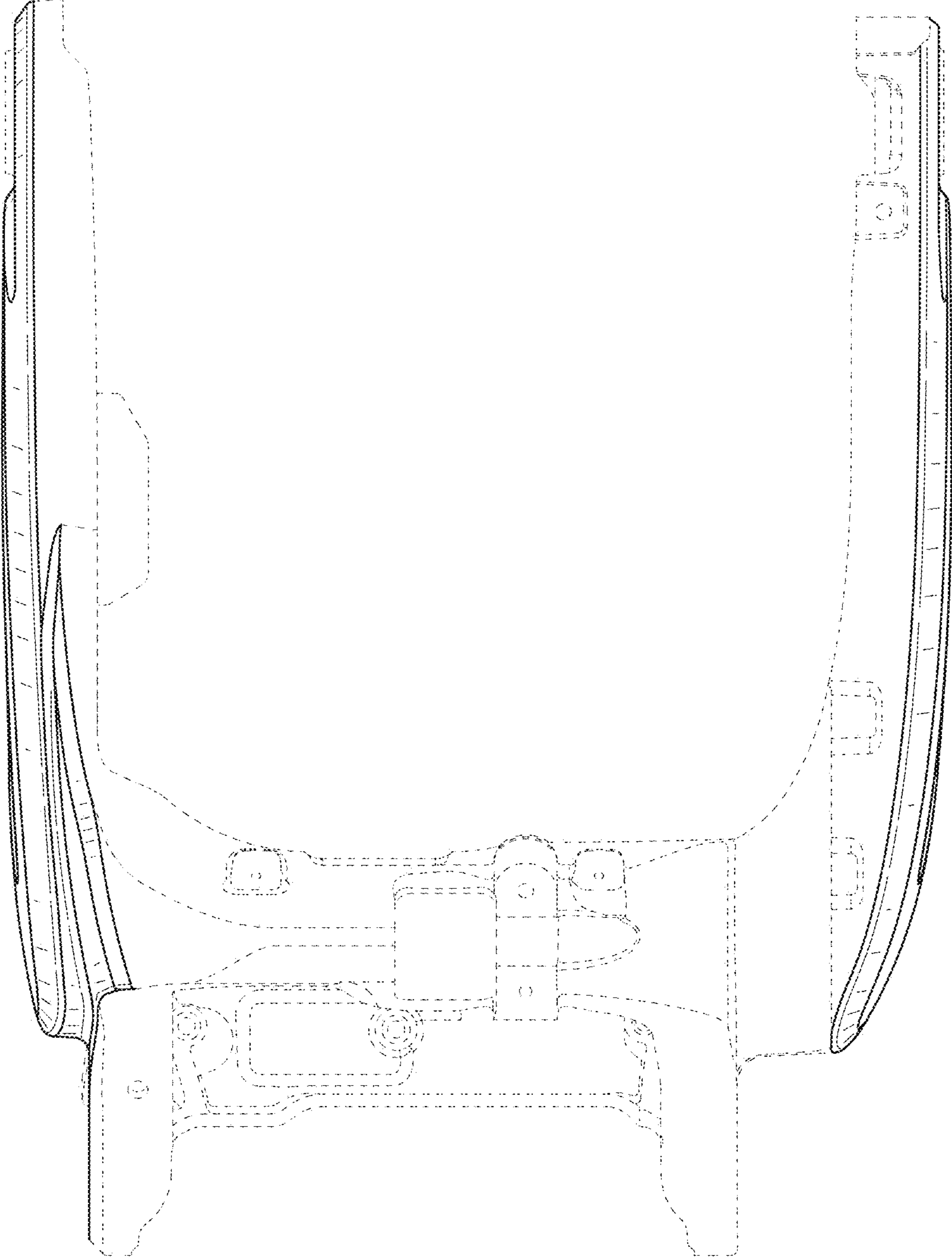


FIG. 7

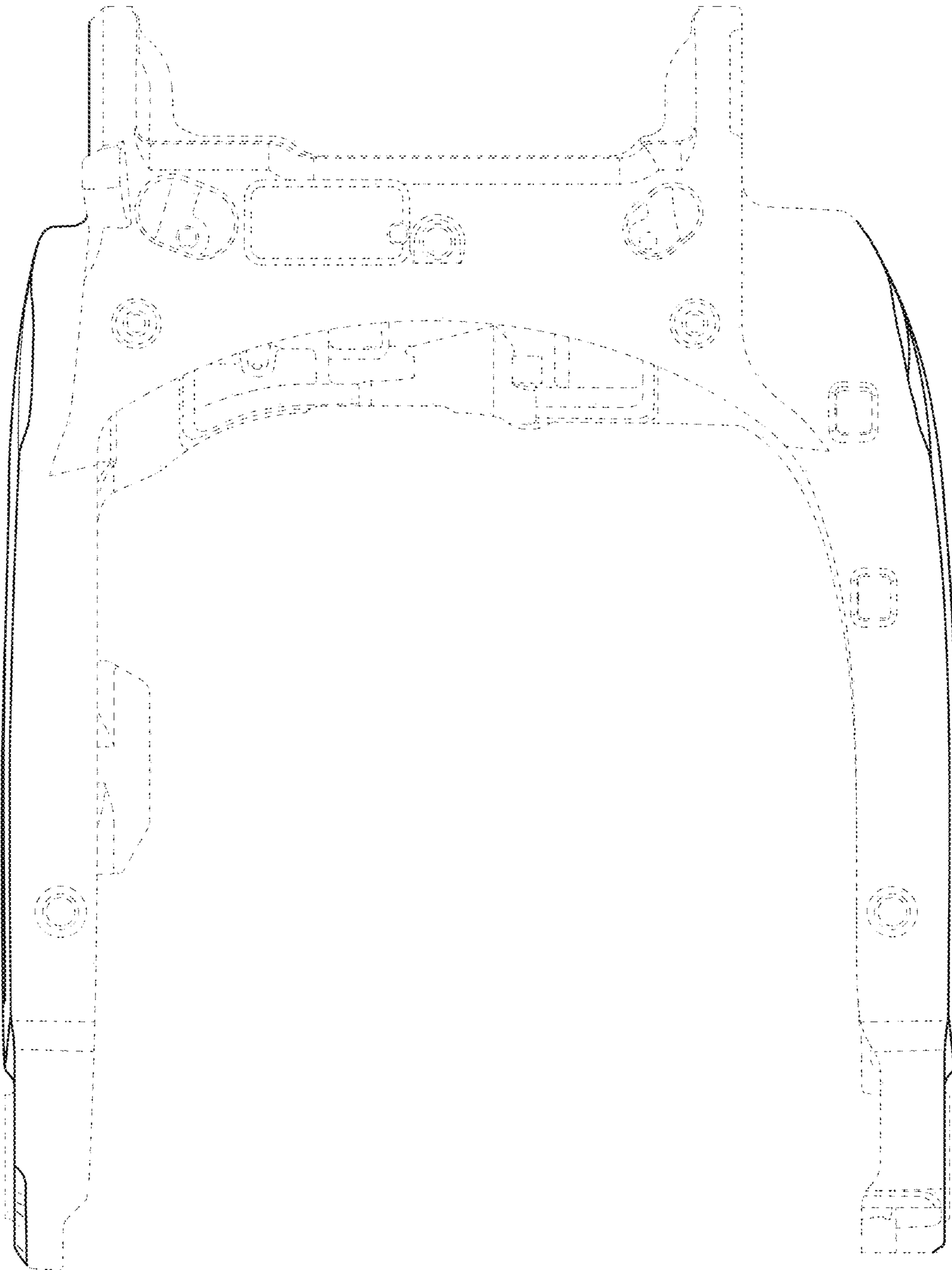


FIG. 8

