



US00D885987S

(12) **United States Design Patent**
Desberg et al.

(10) **Patent No.: US D885,987 S**
(45) **Date of Patent: ** Jun. 2, 2020**

(54) **PERSONAL MOBILITY VEHICLE**

FOREIGN PATENT DOCUMENTS

(71) Applicant: **RAZOR USA LLC**, Cerritos, CA (US)

FR 2 689 082 A1 10/1993
JP 2003-532571 11/2003

(72) Inventors: **Ian Desberg**, Cerritos, CA (US); **Nari Cho**, Cerritos, CA (US); **William Griggs**, Cerritos, CA (US)

(Continued)

(73) Assignee: **RAZOR USA LLC**, Cerritos, CA (US)

“Razor PowerRider 360—Owner’s Manual.” Razor., Dec. 22, 2016 [online], [retrieved on Jan. 21, 2020]. Retrieved from the Internet <URL: https://www.razor.com/wp-content/uploads/2018/02/PowerRider360_MAN_US_161222.pdf>.*

(**) Term: **15 Years**

(21) Appl. No.: **29/644,396**

(Continued)

(22) Filed: **Apr. 17, 2018**

Primary Examiner — Darlington Ly

(51) **LOC (12) Cl.** **12-11**

(74) *Attorney, Agent, or Firm* — Knobbe Martens Olson & Bear, LLP

(52) **U.S. Cl.**

USPC **D12/112**; 21/662

(58) **Field of Classification Search**

USPC D12/1, 107, 110–114, 129, 130, 133;
D21/412, 414, 419, 423–428, 431–435,
D21/662

(57) **CLAIM**

CPC . B62K 3/005; B62K 5/06; B62K 9/02; B62K
15/006; B62K 15/008; B62K 19/02;
B62M 1/32; B62M 1/38

The ornamental design for a personal mobility vehicle, as shown and describe.

See application file for complete search history.

DESCRIPTION

(56) **References Cited**

Additionally, this application incorporates by reference the entirety of U.S. patent application Ser. No. 29/617,206, filed Sep. 12, 2017.

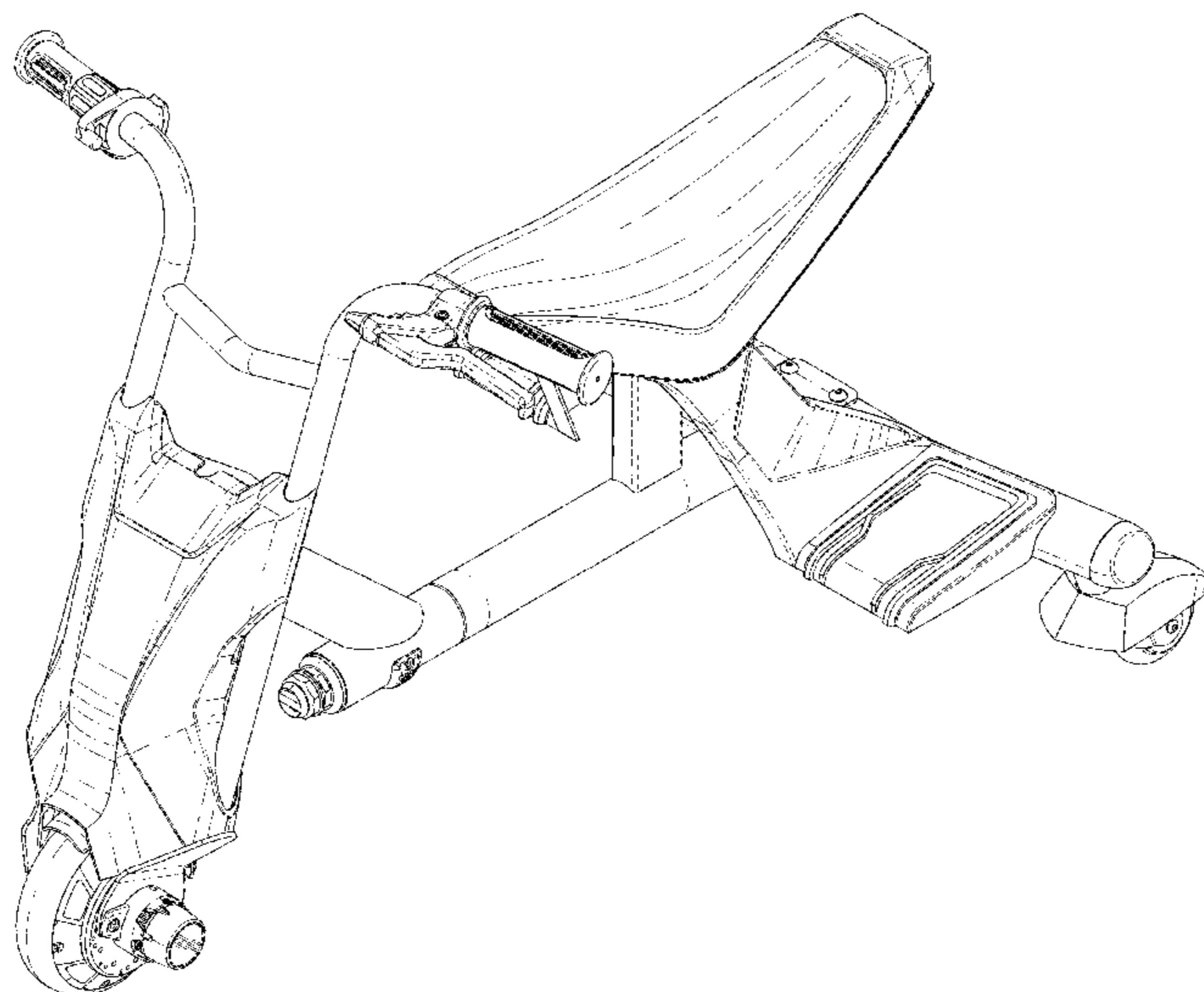
U.S. PATENT DOCUMENTS

4,071,261 A	1/1978	Winchell	
4,087,106 A	5/1978	Winchell	
4,123,079 A	10/1978	Biskup	
4,165,093 A	8/1979	Biskup	
4,540,192 A	9/1985	Shelton	
5,039,121 A	8/1991	Holter	
D338,433 S *	8/1993	Crooks, Sr.	D12/112
5,551,717 A	9/1996	De Courcey Milne	
D449,017 S *	10/2001	Tsai	D12/85
D450,631 S *	11/2001	Ridley	D12/112
6,531,838 B2	3/2003	Parks	
D483,821 S *	12/2003	Yang	D12/112
6,976,687 B2	12/2005	Beleski, Jr.	

FIG. 1 is top, front, and left side perspective view of a personal mobility vehicle of our design;
FIG. 2 is a top, rear, and right side perspective view thereof;
FIG. 3 is a bottom, front, and right side perspective view thereof;
FIG. 4 is a front elevation view thereof;
FIG. 5 is a rear elevation view thereof;
FIG. 6 is a right side elevation view thereof;
FIG. 7 is a left side elevation view thereof;
FIG. 8 is a top plan view thereof; and,
FIG. 9 is a bottom plan view thereof.

(Continued)

1 Claim, 9 Drawing Sheets



(56)

References Cited

U.S. PATENT DOCUMENTS

D524,193 S * 7/2006 Hong D12/112
 D540,400 S 4/2007 Starr
 D553,198 S 10/2007 Atri
 7,549,655 B2 6/2009 Fan
 7,681,895 B2 3/2010 Chen
 D622,639 S * 8/2010 Brockmeyer D12/113
 D626,038 S * 10/2010 Li D12/112
 D630,158 S 1/2011 Jessie, Jr.
 7,926,825 B2 4/2011 Chen
 D654,542 S 2/2012 Chiu
 8,128,109 B2 3/2012 Chen
 D668,186 S * 10/2012 Tremblay D12/112
 D680,175 S * 4/2013 Nielsen D21/435
 D710,950 S 8/2014 Grout
 8,807,581 B2 8/2014 Liao
 D735,812 S * 8/2015 Delgatty D21/423
 D739,310 S * 9/2015 Barnaby Latham D12/112
 D745,608 S 12/2015 Xu
 D746,924 S * 1/2016 Delgatty D21/423
 D774,969 S * 12/2016 Angelov D12/111
 D774,979 S * 12/2016 Delgatty D12/111
 D782,942 S * 4/2017 Trifaro D12/112
 D787,378 S 5/2017 Ostergaard
 9,643,679 B2 5/2017 Desberg et al.
 9,873,476 B2 * 1/2018 Etzelsberger B62K 15/006
 D824,291 S * 7/2018 Hsieh D12/112
 D828,233 S 9/2018 Fitzwater
 10,144,476 B2 12/2018 Desberg et al.
 D845,837 S * 4/2019 Jin D12/112
 D855,116 S 7/2019 Desberg et al.
 2002/0063406 A1 5/2002 Feng
 2002/0063411 A1 5/2002 Feng
 2003/0188906 A1 10/2003 Bank

2004/0094925 A1 5/2004 Chuang
 2005/0035570 A1 * 2/2005 Chu B62K 15/006
 280/278
 2010/0234186 A1 9/2010 Fan
 2011/0031709 A1 2/2011 Kim et al.
 2011/0089656 A1 4/2011 Chiu et al.
 2011/0298193 A1 12/2011 Fan
 2012/0043733 A1 2/2012 Tsai
 2014/0070508 A1 3/2014 Yamabe
 2015/0068828 A1 * 3/2015 Delgatty B62K 5/06
 180/210
 2015/0266530 A1 9/2015 O'Connell
 2017/0029060 A1 2/2017 Kim
 2017/0313375 A1 11/2017 Lee
 2017/0361892 A1 12/2017 O'Rourke
 2018/0072366 A1 3/2018 Kama et al.
 2018/0154969 A1 6/2018 Desberg et al.
 2019/0291805 A1 9/2019 Desberg et al.

FOREIGN PATENT DOCUMENTS

JP 3157958 3/2010
 JP 2002-325878 11/2012
 KR 200 438 635 2/2008
 KR 2010 0007115 1/2010
 WO WO 2009/041933 4/2009
 WO WO 2016/130587 8/2016

OTHER PUBLICATIONS

“Razor Drift Rider Electric Scooter with 3D Steering—First Look.”
 YouTube., Mar. 28, 2018 [online], [retrieved on Jan. 21, 2020].
 Retrieved from the Internet <URL: <https://www.youtube.com/watch?v=Yx-9eJ49Weo>>.*

* cited by examiner

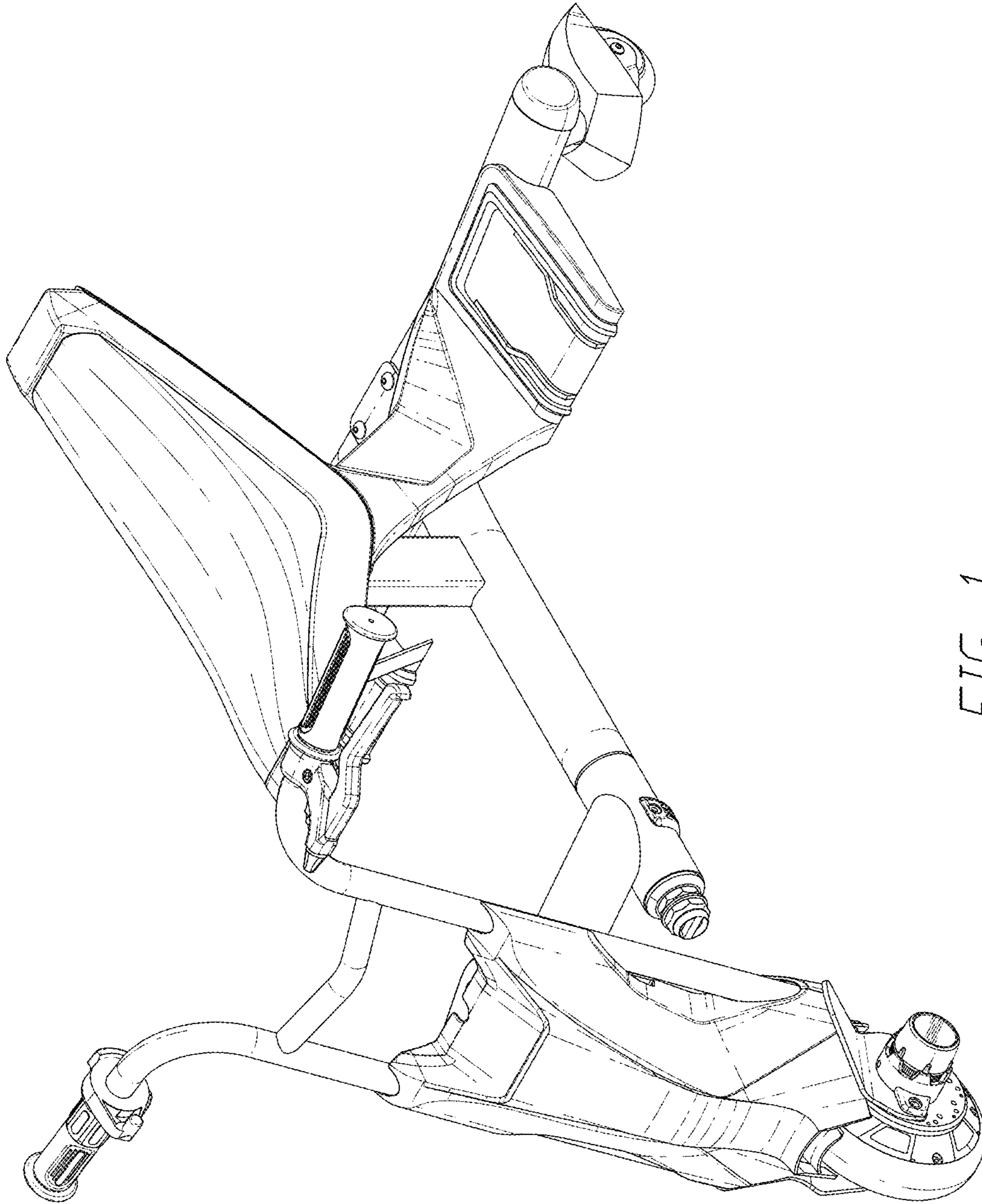


FIG. 1

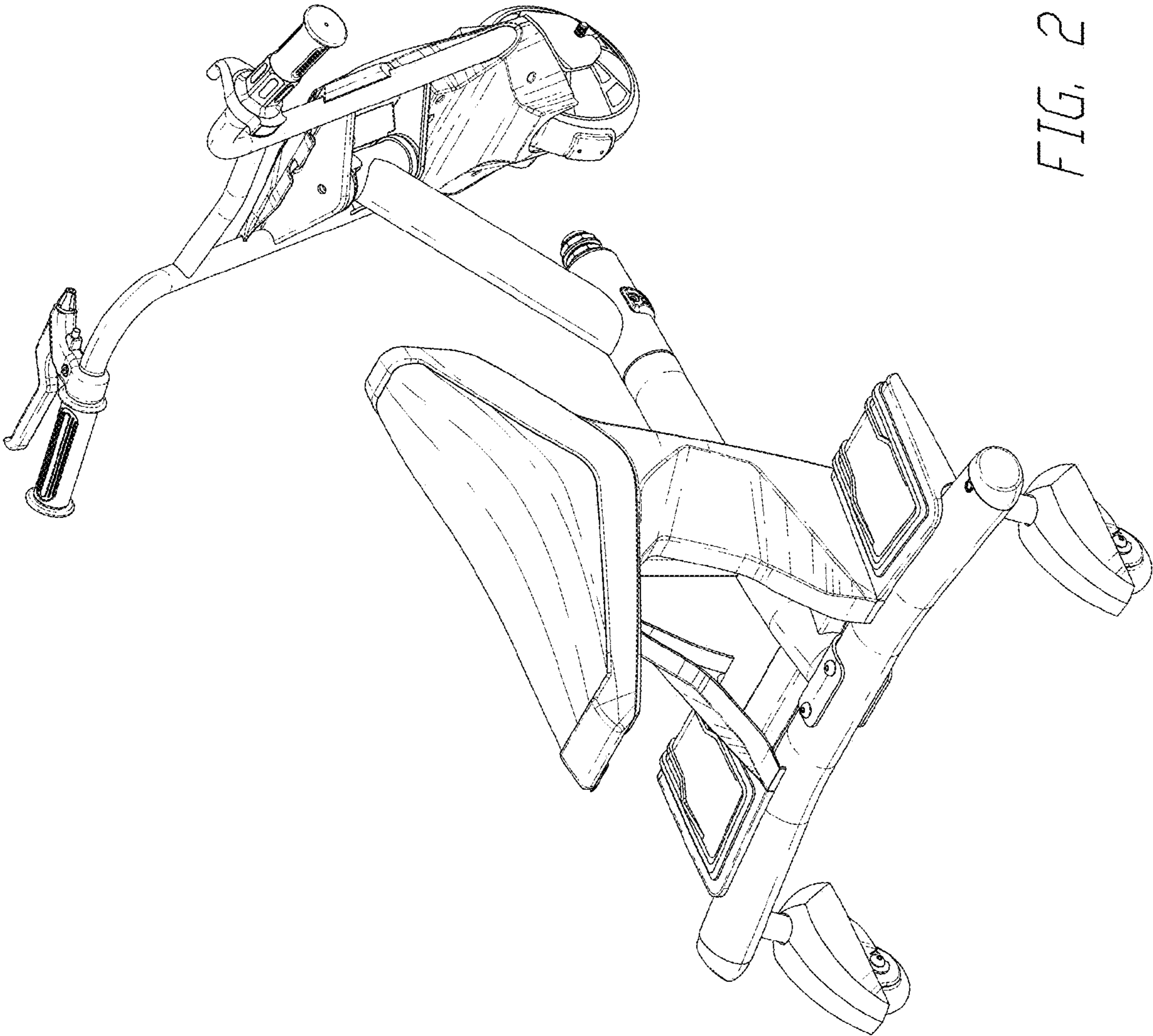


FIG. 2

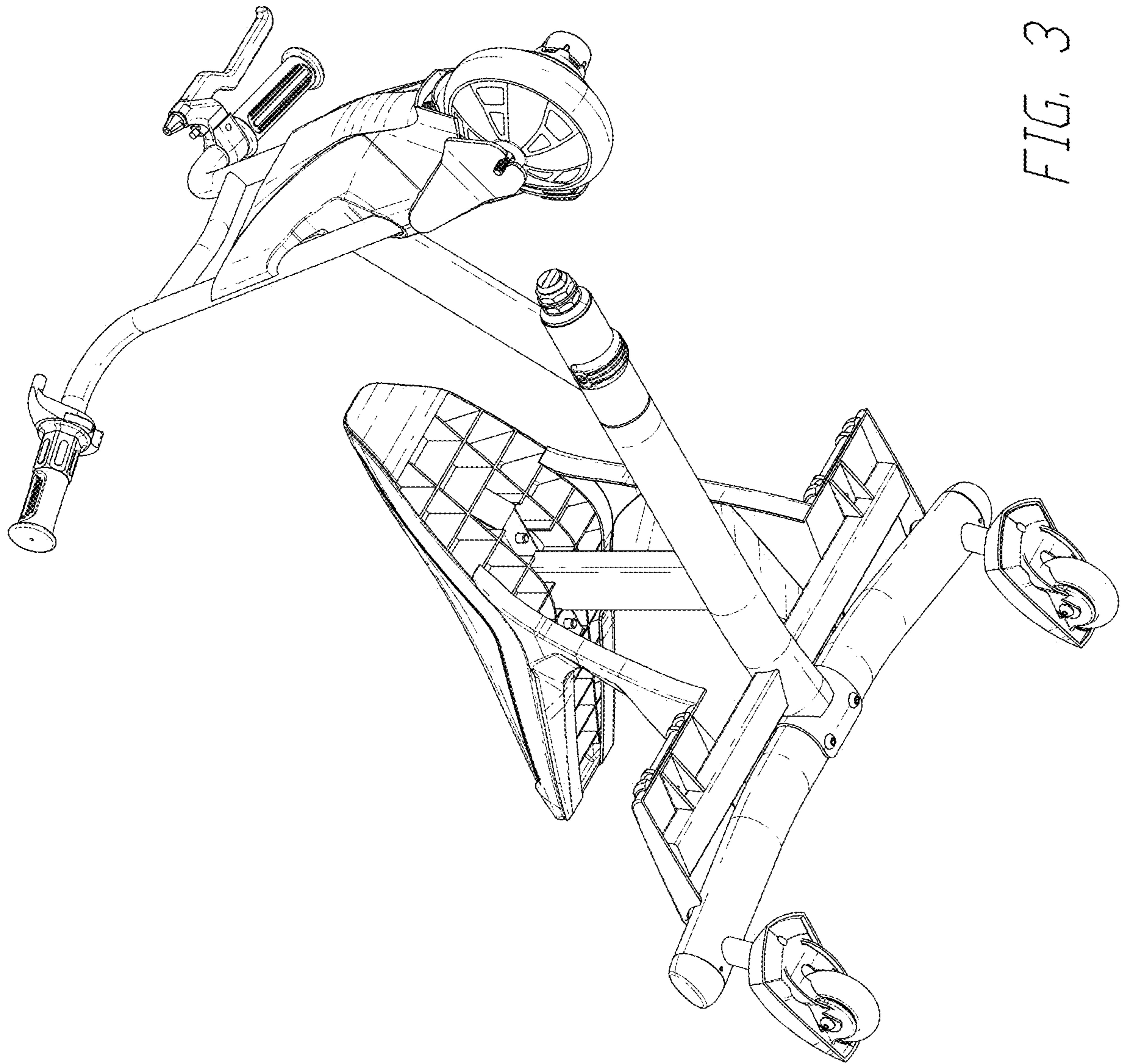


FIG. 3

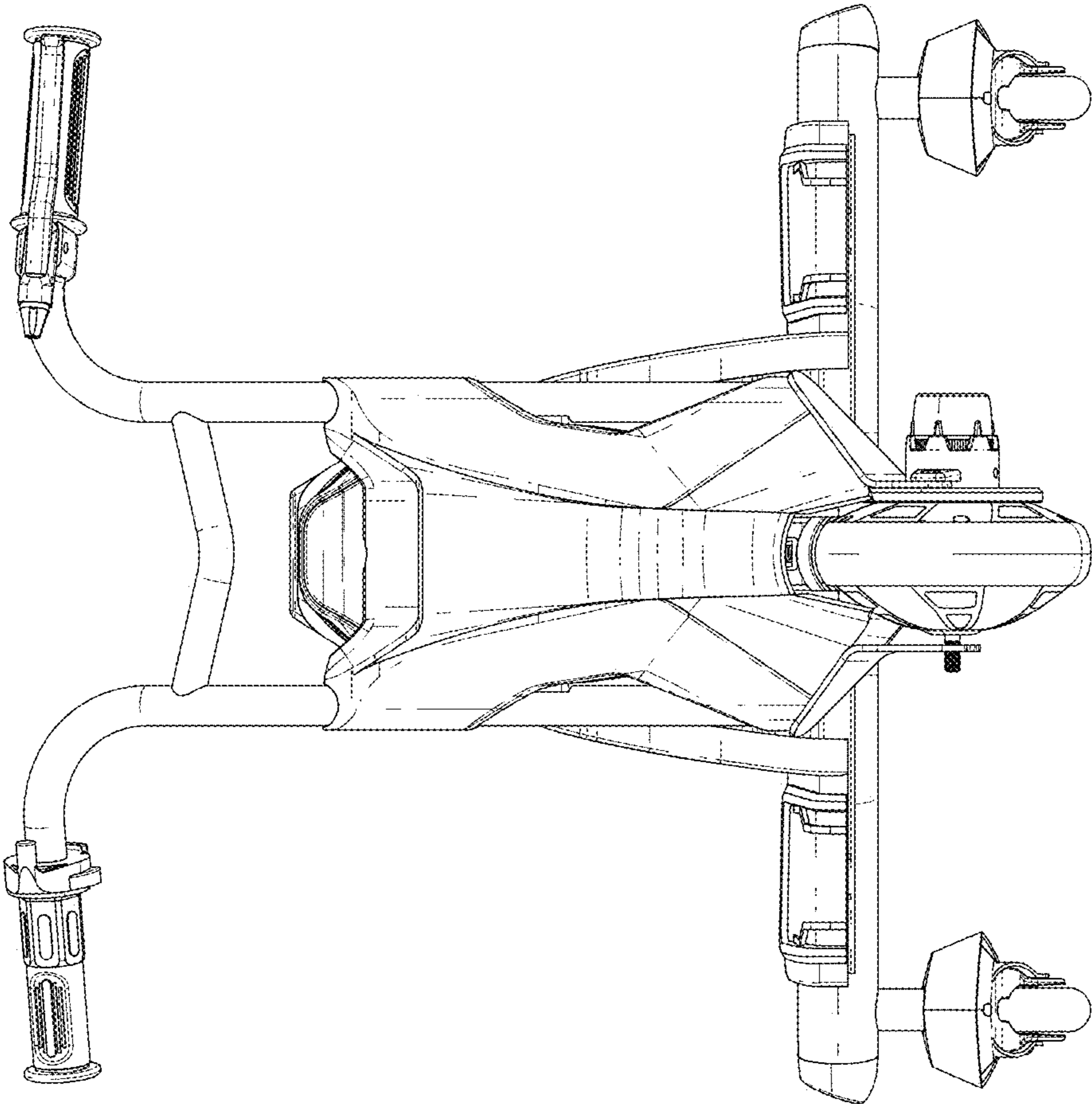


FIG. 4

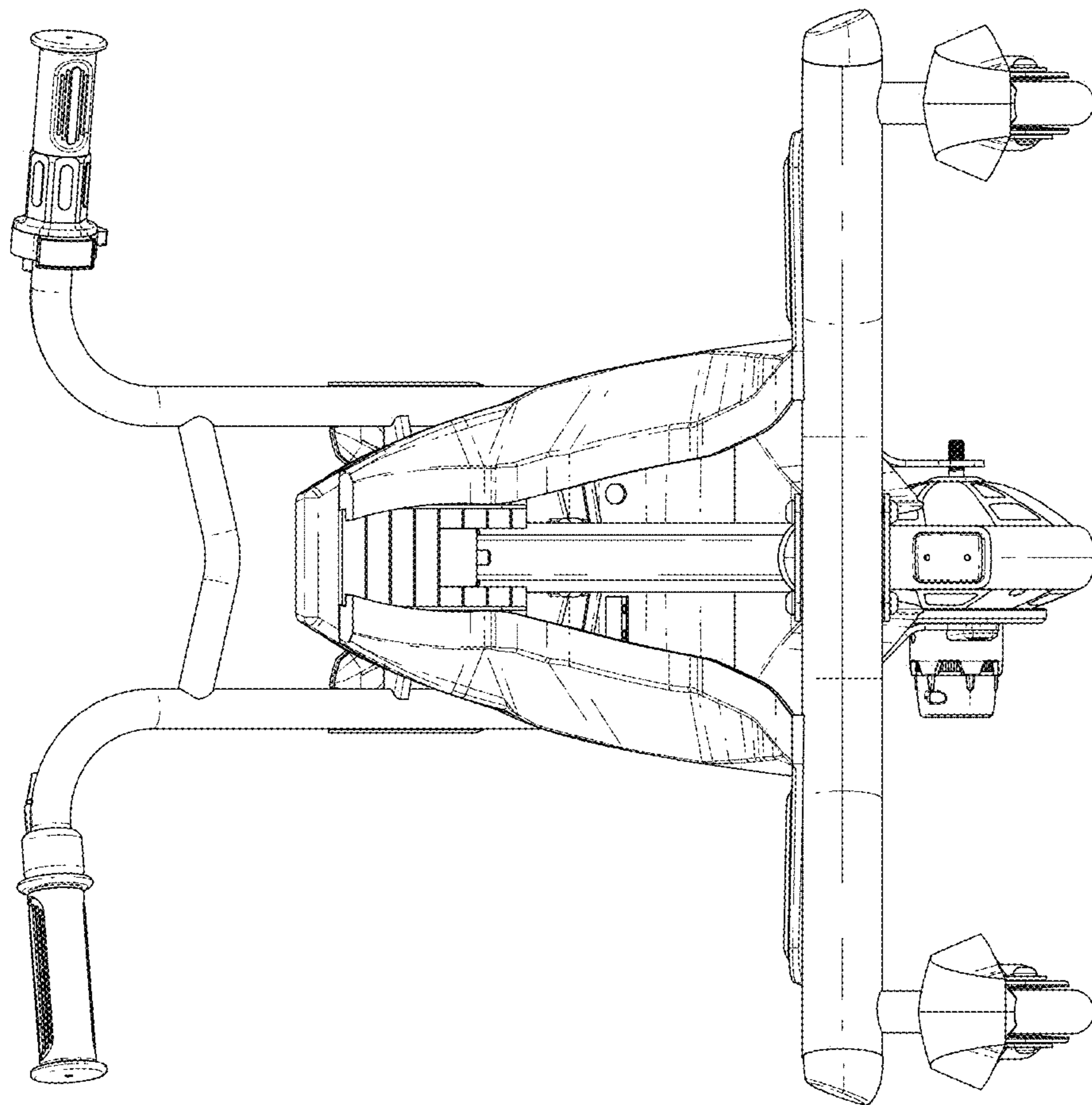


FIG. 5

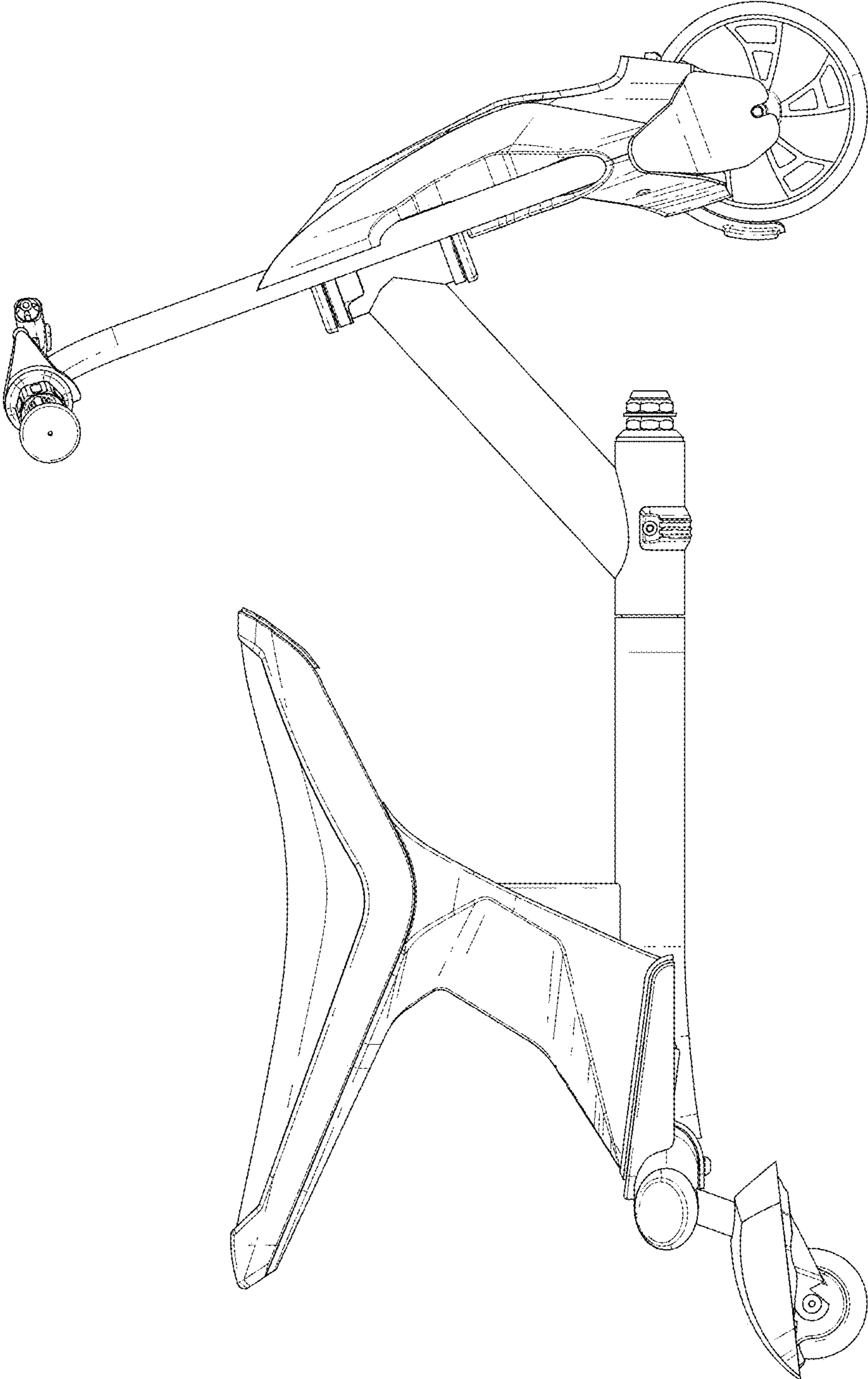


FIG. 6

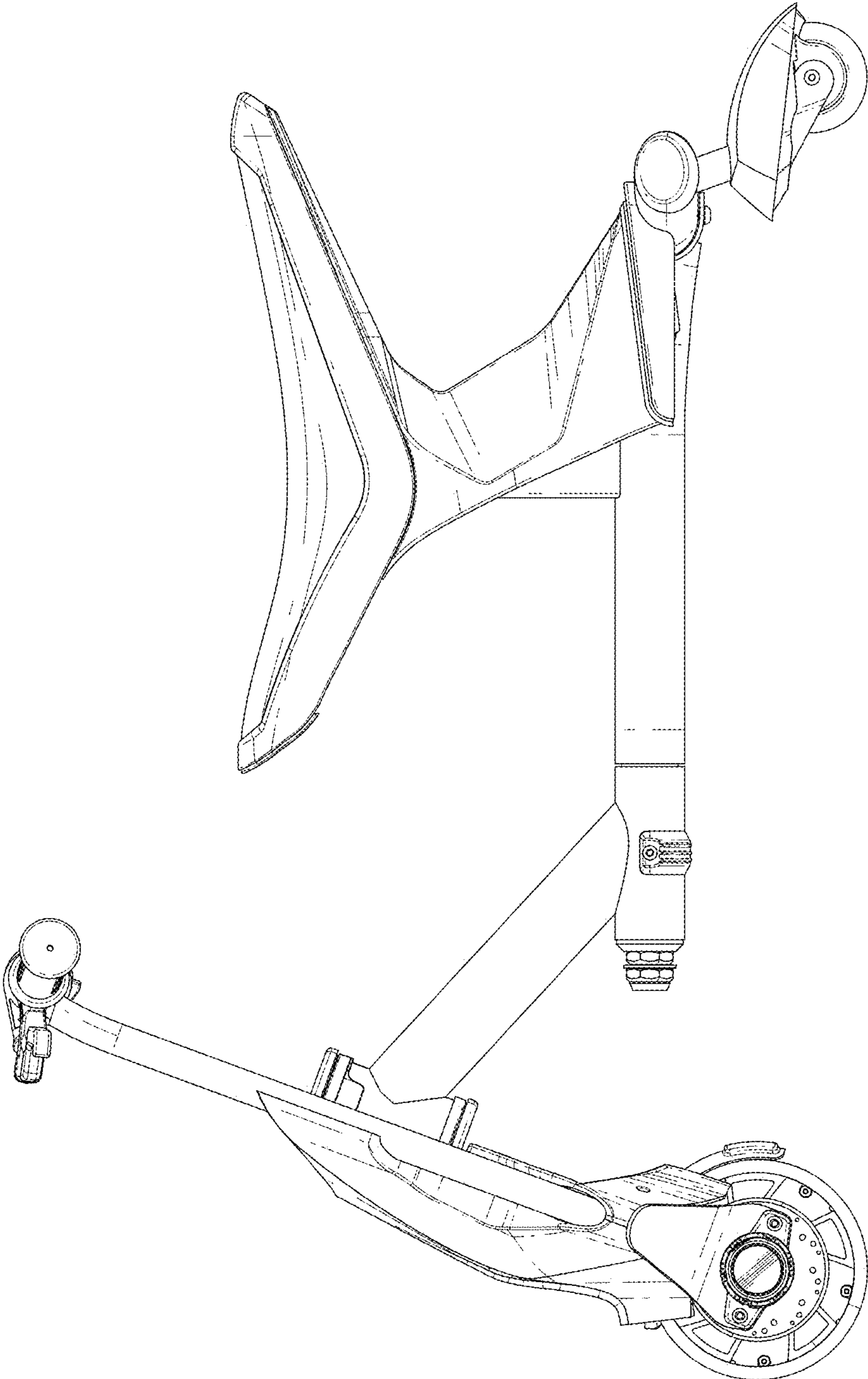


FIG. 7

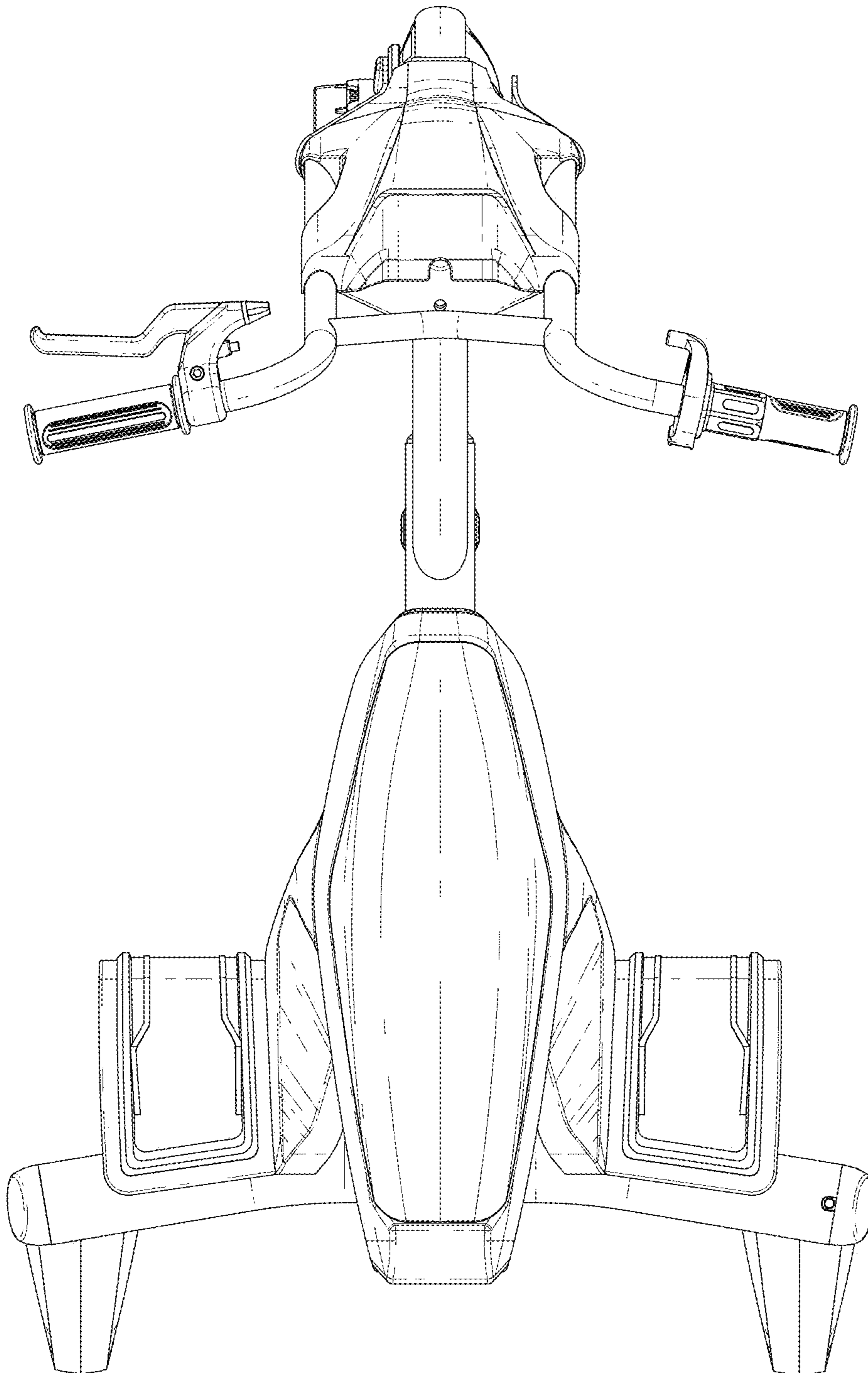


FIG. 8

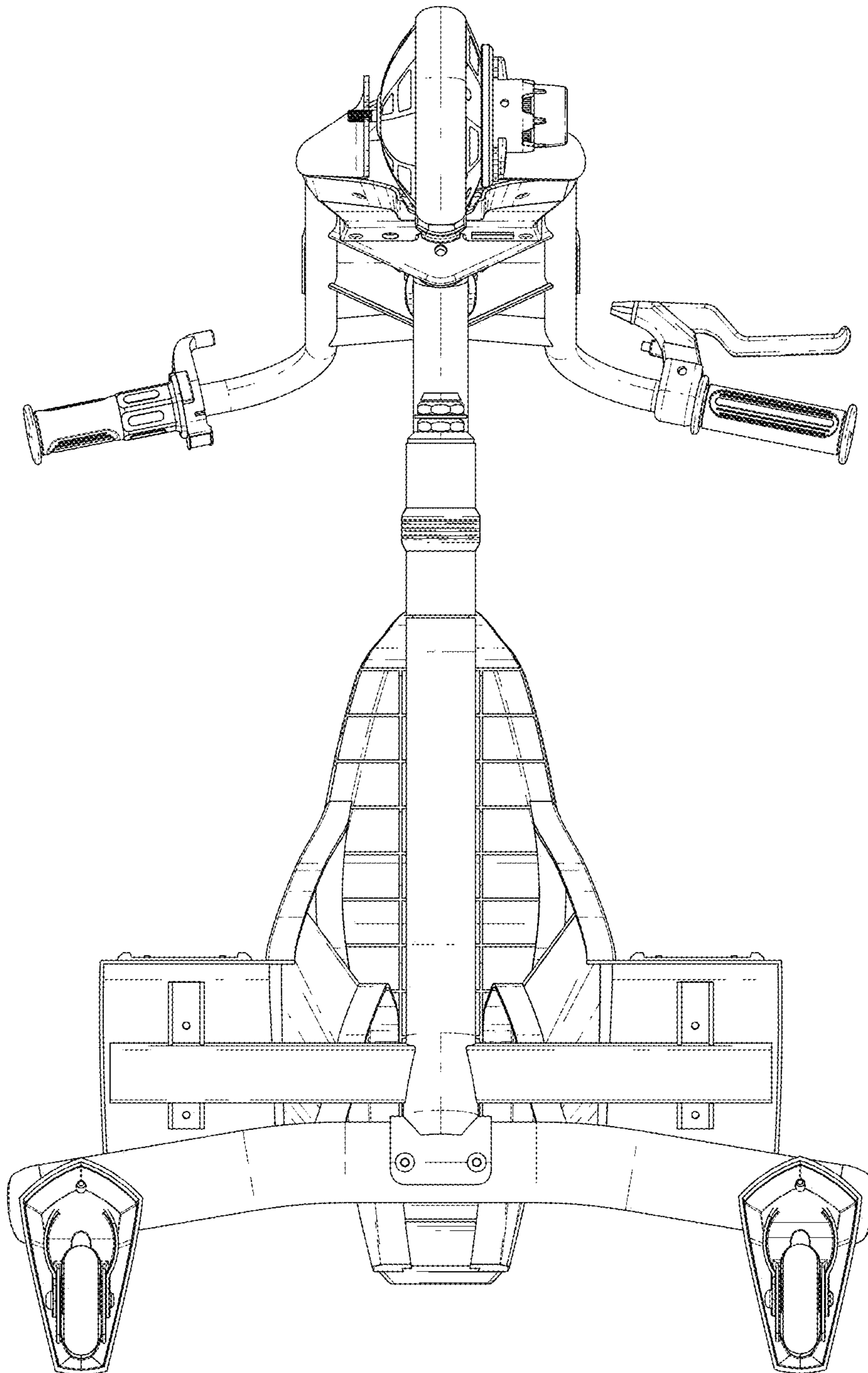


FIG. 9

UNITED STATES PATENT AND TRADEMARK OFFICE
CERTIFICATE OF CORRECTION

PATENT NO. : D885,987 S
APPLICATION NO. : 29/644396
DATED : June 2, 2020
INVENTOR(S) : Ian Desberg et al.

Page 1 of 1

It is certified that error appears in the above-identified patent and that said Letters Patent is hereby corrected as shown below:

On the Title Page

In Column 2, item (57), Claim, Line 2, delete "describe." and insert --described.--.

Signed and Sealed this
Sixth Day of April, 2021



Drew Hirshfeld
*Performing the Functions and Duties of the
Under Secretary of Commerce for Intellectual Property and
Director of the United States Patent and Trademark Office*