



US00D885986S

(12) **United States Design Patent**  
**Chan**

(10) **Patent No.:** **US D885,986 S**  
(45) **Date of Patent:** **\*\* Jun. 2, 2020**

(54) **BICYCLE FRAME**  
(71) Applicants: **THYSSENKRUPP STEEL EUROPE AG**, Duisburg (DE);  
**THYSSENKRUPP AG**, Essen (DE)  
(72) Inventor: **Jia-Uei Chan**, Düsseldorf (DE)  
(73) Assignees: **THYSSENKRUPP STEEL EUROPE AG**, Duisburg (DE);  
**THYSSENKRUPPP AG**, Essen (DE)

(\*\*) Term: **15 Years**  
(21) Appl. No.: **35/506,443**  
(22) Filed: **Aug. 8, 2018**

(80) **Hague Agreement Data**  
Int. Filing Date: **Aug. 8, 2018**  
Int. Reg. No.: **DM/102347**  
Int. Reg. Date: **Aug. 8, 2018**  
Int. Reg. Pub. Date: **Feb. 8, 2019**

(30) **Foreign Application Priority Data**  
Feb. 21, 2018 (EM) ..... 004719060  
(51) **LOC (12) Cl.** ..... **12-11**  
(52) **U.S. Cl.**  
USPC ..... **D12/111**  
(58) **Field of Classification Search**  
USPC ..... D12/111, 117; D21/412, 414, 419,  
D21/423-428, 431-435  
CPC ..... B62K 3/00; B62K 3/02; B62K 3/06  
See application file for complete search history.

(56) **References Cited**  
U.S. PATENT DOCUMENTS  
D507,768 S \* 7/2005 Tomlinson ..... D12/111  
D542,189 S \* 5/2007 Ellsworth ..... D12/111

D604,205 S \* 11/2009 Cattaneo ..... D12/111  
D635,894 S \* 4/2011 Argote Vivar ..... D12/111  
D637,527 S \* 5/2011 Choi ..... D12/111  
D667,347 S \* 9/2012 Simko ..... D12/111  
D688,599 S \* 8/2013 Silva ..... D12/111  
D689,407 S \* 9/2013 Kim ..... D12/111  
D689,408 S \* 9/2013 Kim ..... D12/111  
D720,657 S \* 1/2015 Kahler, Jr. .... D12/111  
D722,285 S \* 2/2015 Silva ..... D12/111  
D734,218 S \* 7/2015 D'Aluisio ..... D12/111  
D734,692 S \* 7/2015 D'Aluisio ..... D12/111  
D735,089 S \* 7/2015 Gauthier ..... D12/111  
D742,284 S \* 11/2015 Strickland ..... D12/111  
D774,970 S \* 12/2016 D'Aluisio ..... D12/111  
9,611,003 B1 \* 4/2017 Yu ..... B62M 6/90  
D785,509 S \* 5/2017 Juhlin ..... D12/111  
D801,875 S \* 11/2017 Pfeiffer ..... D12/111  
D802,487 S \* 11/2017 Petrov ..... D12/111  
D811,275 S \* 2/2018 Hendey ..... D12/111  
D842,765 S \* 3/2019 Deltour ..... D12/111  
2014/0265406 A1 \* 9/2014 Huber ..... B62K 19/36  
296/29

(Continued)

*Primary Examiner* — Darlington Ly  
(74) *Attorney, Agent, or Firm* — The Webb Law Firm

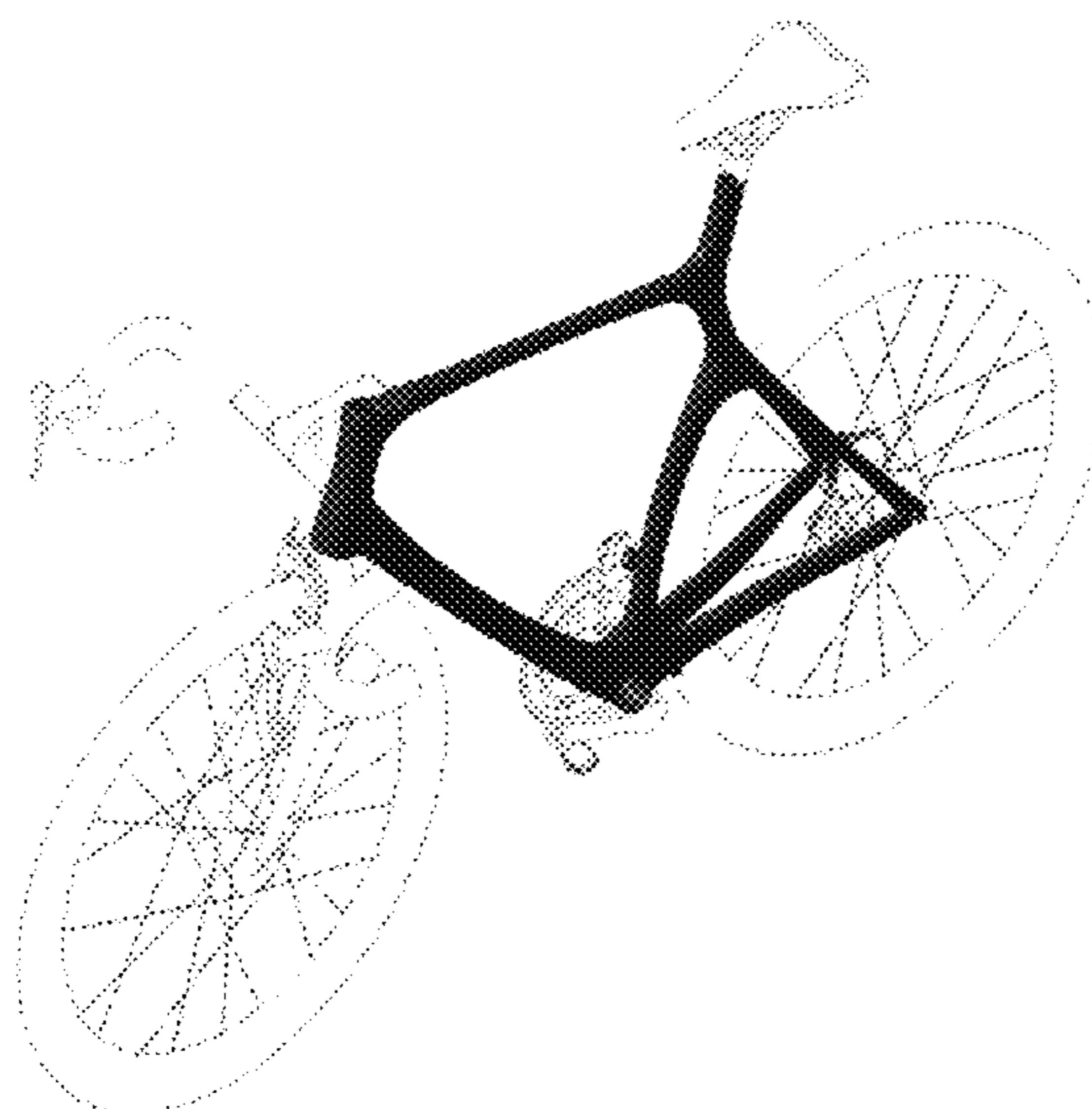
(57) **CLAIM**

The ornamental design for a bicycle frame, as shown and described.

**DESCRIPTION**

2.1 is a top perspective view of a bicycle frame showing my new design;  
2.2 is a front elevation view thereof;  
2.3 is a rear elevation view thereof;  
2.4 is a right side elevation view thereof;  
2.5 is a left side elevation view thereof;  
2.6 is a top plan view thereof; and  
2.7 is a bottom plan view thereof.  
The broken lines shown in Reproductions 2.1-2.7 are for the purposes of illustrating environmental structure and form no part of the claimed design.

**1 Claim, 7 Drawing Sheets**



(56)

**References Cited**

U.S. PATENT DOCUMENTS

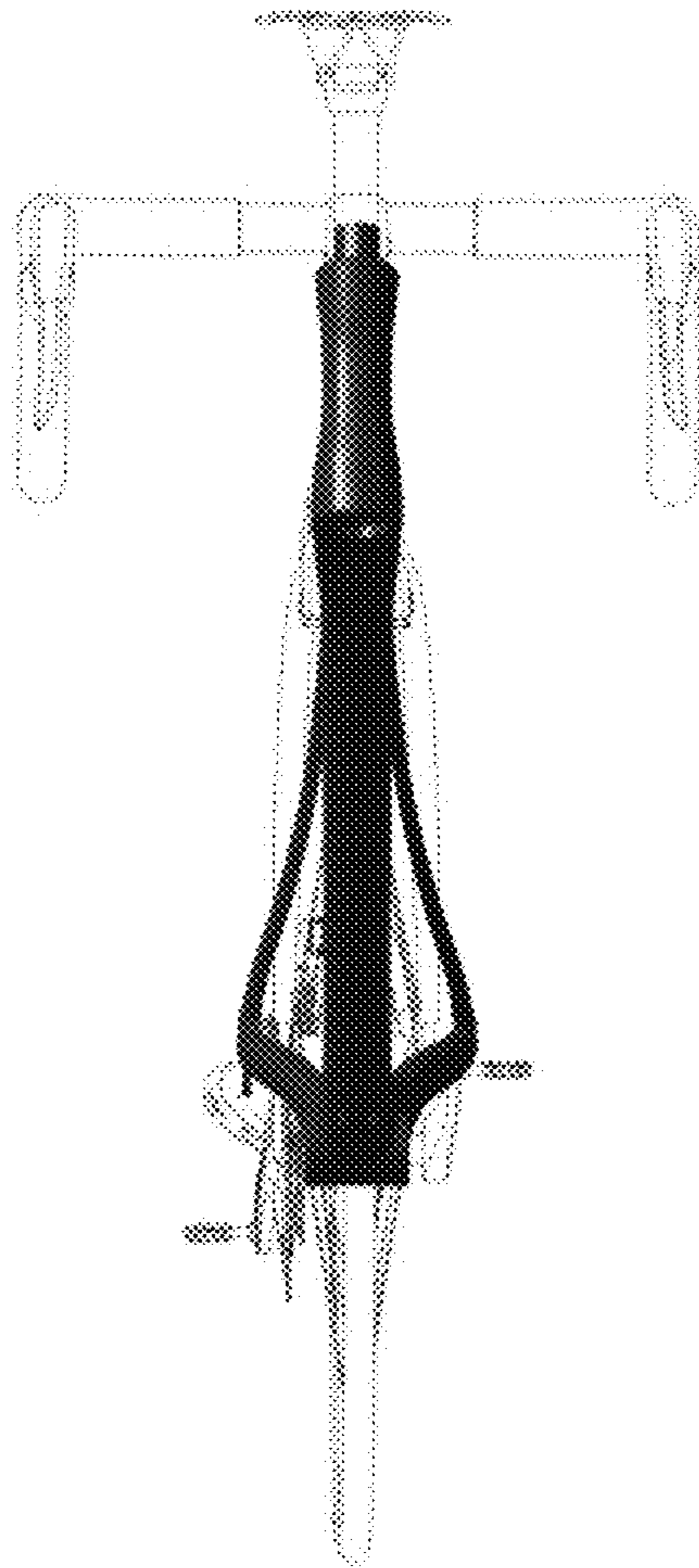
2016/0236745 A1\* 8/2016 Groendal ..... B62K 19/02  
2018/0065704 A1\* 3/2018 Choi ..... B62K 3/04

\* cited by examiner

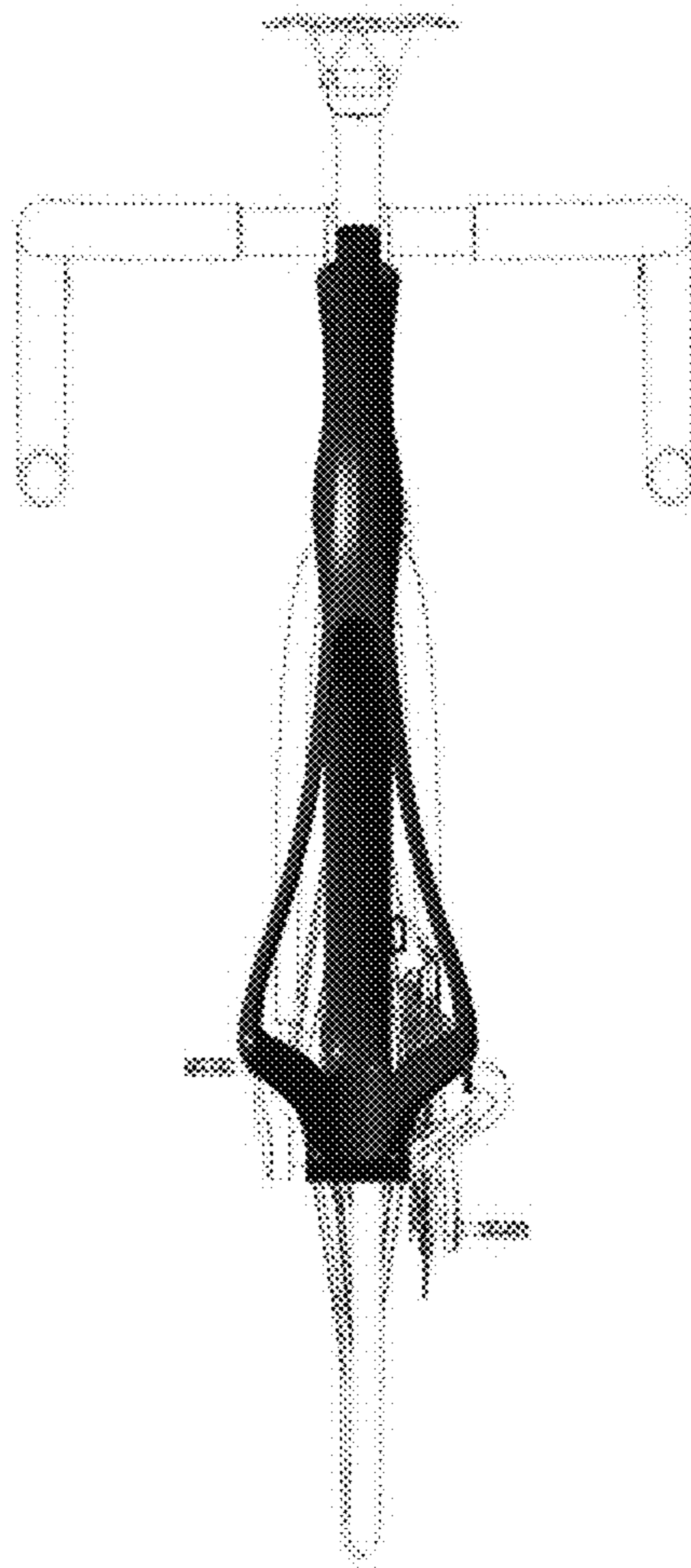
2.1



2.2



2.3



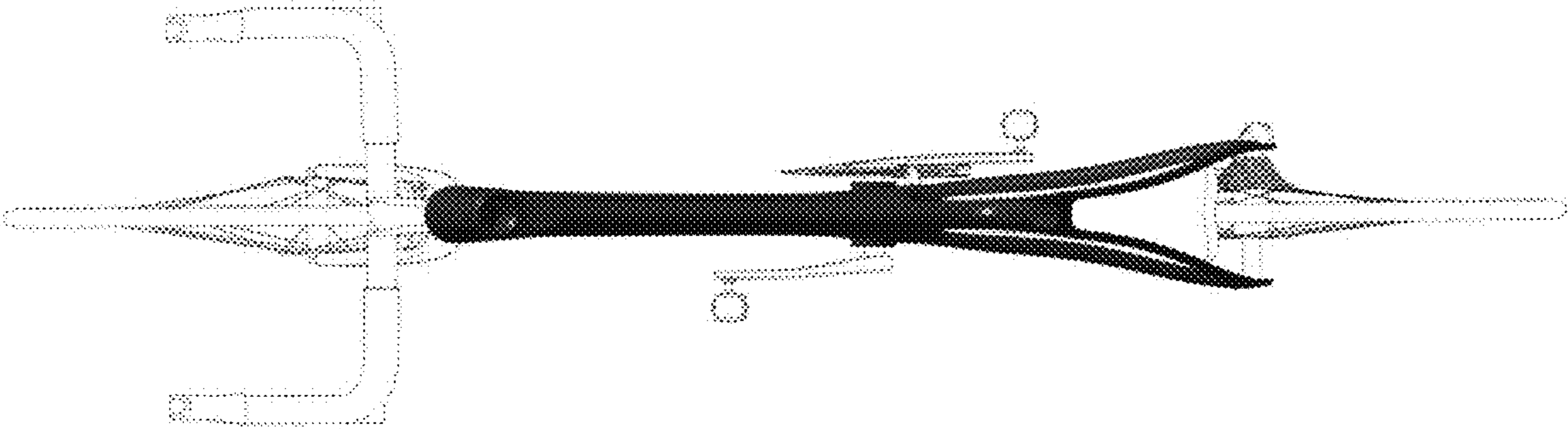
2.4



2.5



2.6





2.7

