



US00D885985S

(12) **United States Design Patent** (10) **Patent No.:** **US D885,985 S**
Tan (45) **Date of Patent:** **** Jun. 2, 2020**

(54) **BICYCLE FRAME**
(71) Applicant: **Lye Wee Tan**, Singapore (SG)
(72) Inventor: **Lye Wee Tan**, Singapore (SG)

D633,828 S * 3/2011 Portnoff D12/111
D742,284 S * 11/2015 Strickland D12/111
D774,970 S * 12/2016 D'Aluisio D12/111
D826,101 S * 8/2018 Uimonen D12/111

(**) Term: **15 Years**

FOREIGN PATENT DOCUMENTS

JP D2017-2908 * 2/2017

(21) Appl. No.: **29/663,692**

* cited by examiner

(22) Filed: **Sep. 18, 2018**

Primary Examiner — Sheryl Lane

(51) **LOC (12) Cl.** **12-11**

Assistant Examiner — Samantha N Wood

(52) **U.S. Cl.**
USPC **D12/111**

(74) *Attorney, Agent, or Firm* — Muncy, Geissler, Olds & Lowe, P.C.

(58) **Field of Classification Search**
USPC D12/111, 107, 114, 117, 126, 127, 159;
D21/419, 424, 427, 432, 663, 664, 666,
D21/697

(57) **CLAIM**

I claim the ornamental design for a bicycle frame, as shown and described.

CPC . B62K 3/00; B62K 3/005; B62K 3/02; B62K 3/04; B62K 11/00; B62K 11/02; B62K 11/10; B62K 11/14; B62K 21/12; B62K 21/16; B62K 21/26; B62K 21/02; B62K 21/04; B62K 21/06; B62K 9/02; B62K 15/006; B62K 2201/04; B62K 19/02; B62K 19/08; B62K 19/16; B62K 25/04; B62K 25/08; B62K 25/16; B62K 25/30
See application file for complete search history.

DESCRIPTION

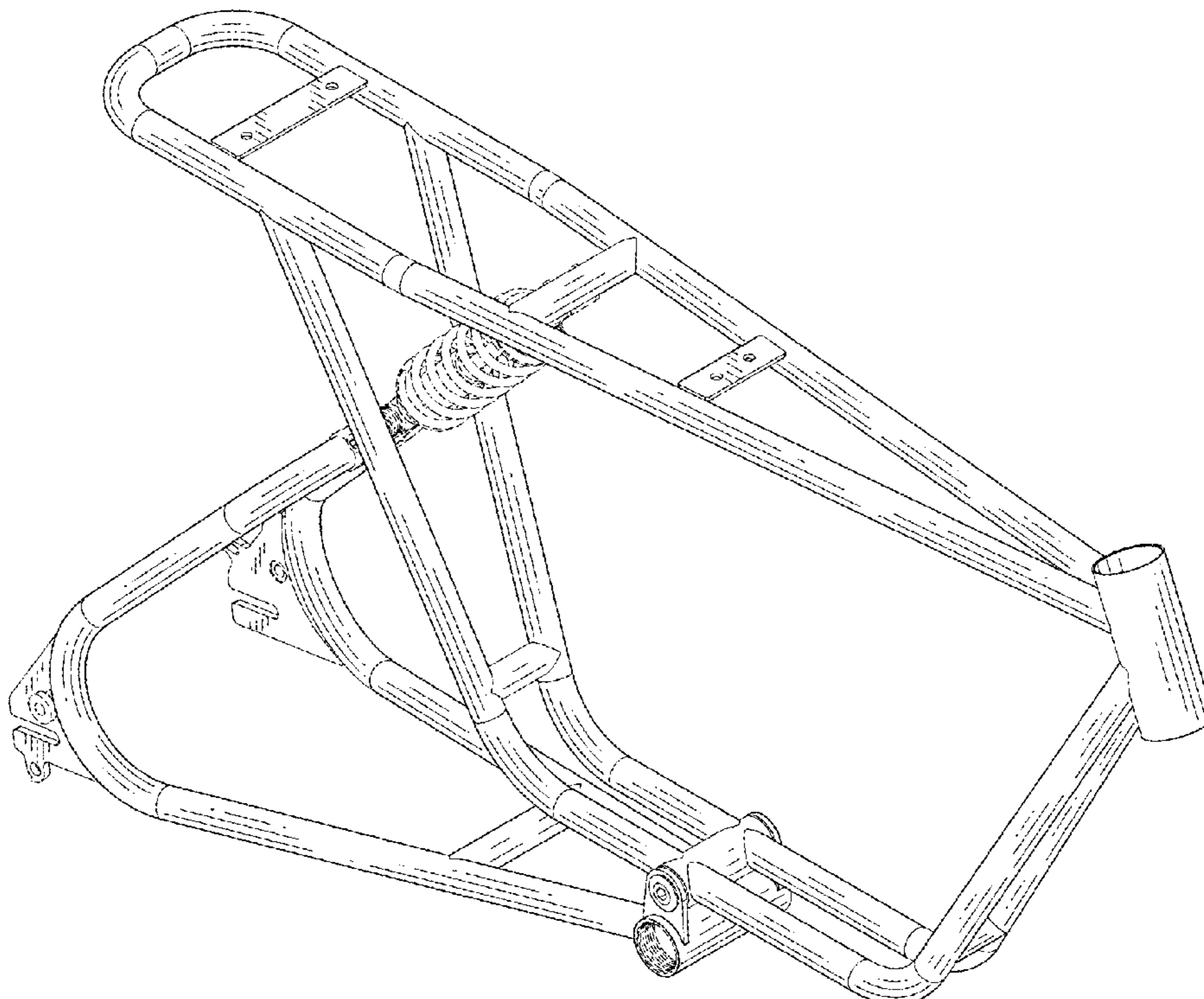
FIG. 1 is a top, front, right perspective view of a bicycle frame showing my new design;
FIG. 2 is a front elevational view thereof;
FIG. 3 is a rear elevational view thereof;
FIG. 4 is a left side view thereof;
FIG. 5 is a right side view thereof;
FIG. 6 is a top plan view thereof;
FIG. 7 is a bottom plan view thereof;
FIG. 8 is a top, rear, right perspective view thereof; and,
FIG. 9 is a bottom, front, left perspective view.
The broken lines in the drawings illustrate portions of the bicycle frame which form no part of the claimed design.

(56) **References Cited**

U.S. PATENT DOCUMENTS

D217,843 S * 6/1970 Barris D12/111
D223,528 S * 4/1972 Steller D12/111
D232,529 S * 8/1974 Shannon D12/111

1 Claim, 7 Drawing Sheets



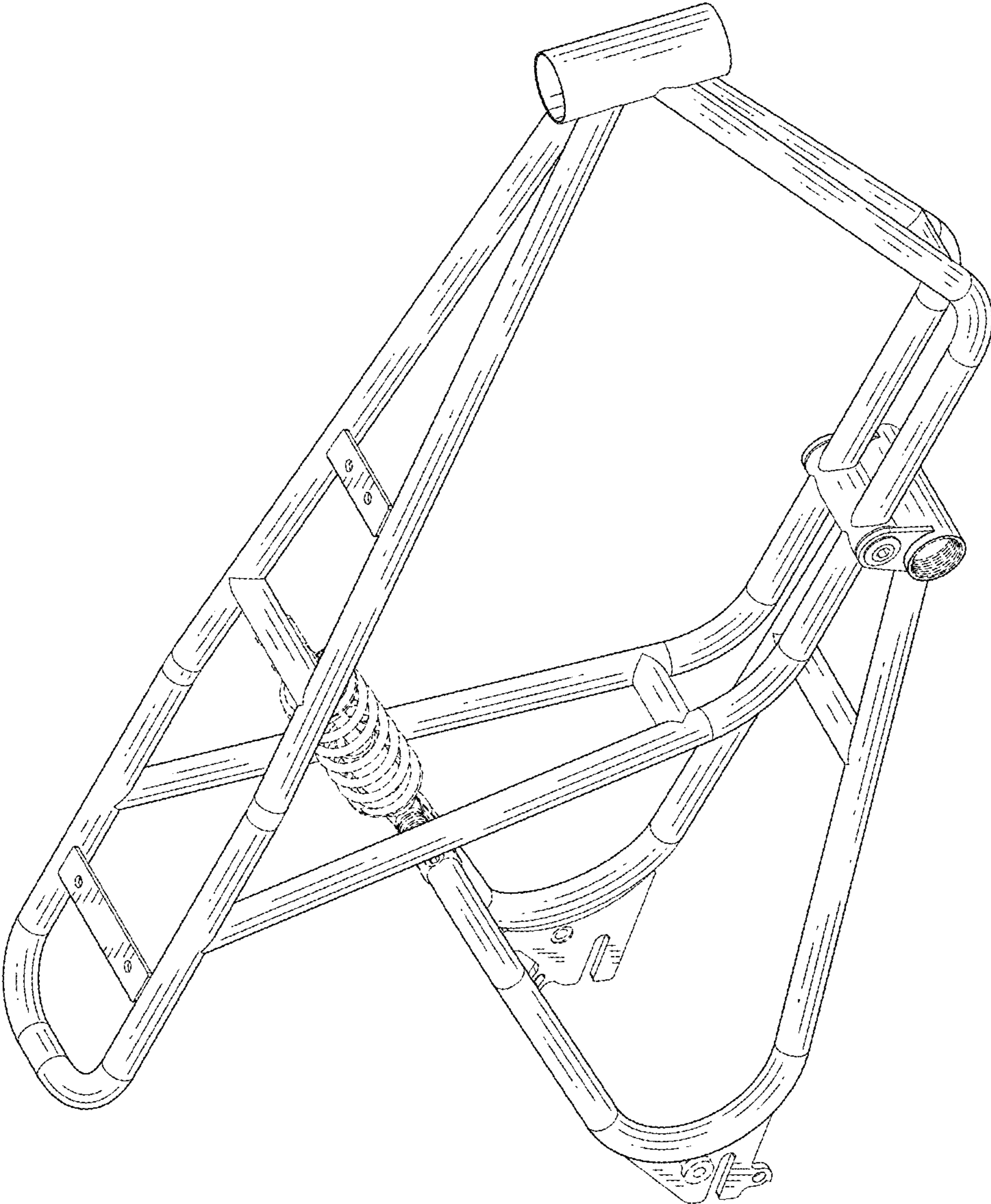


FIG. 1

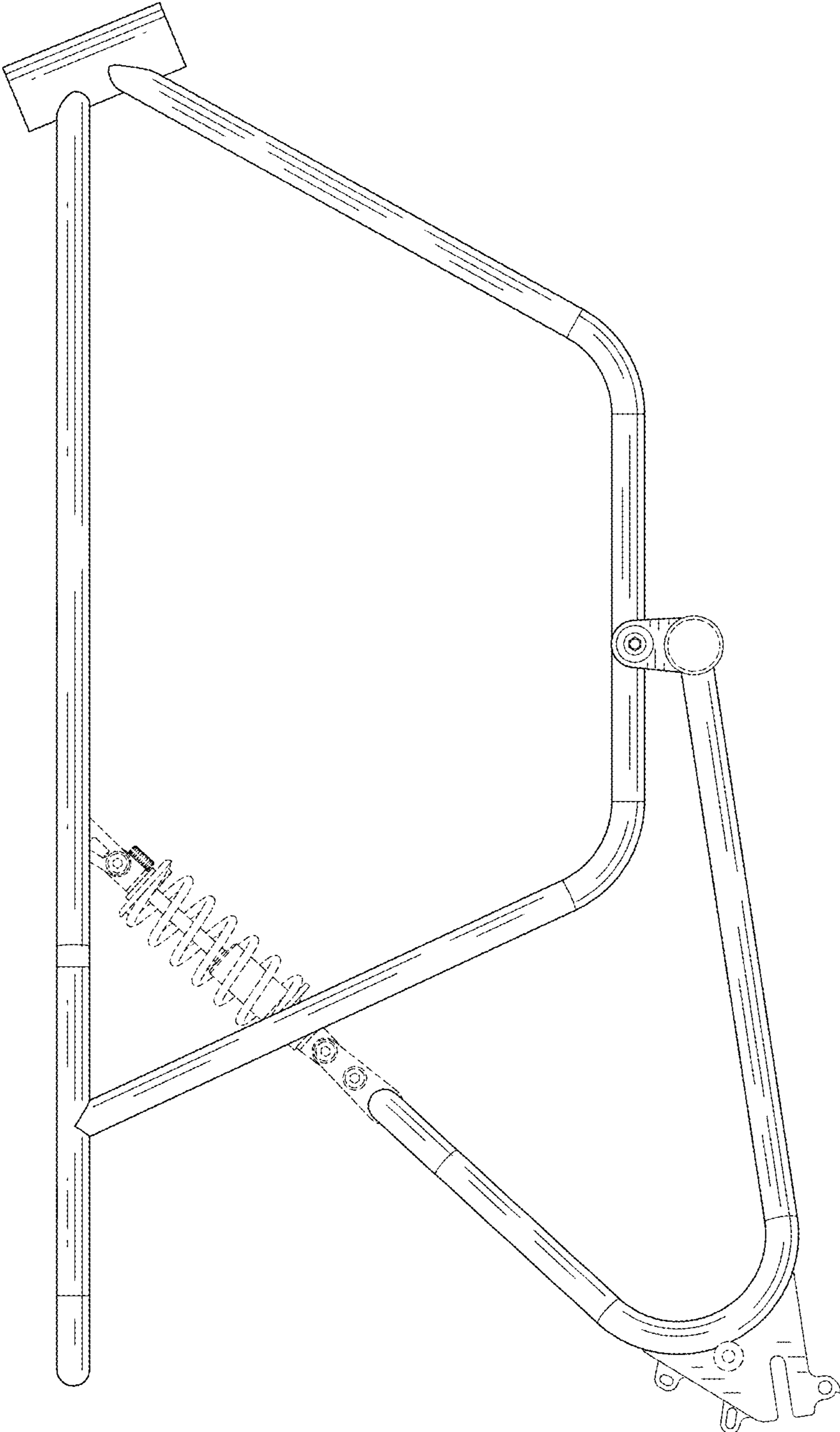


FIG. 2

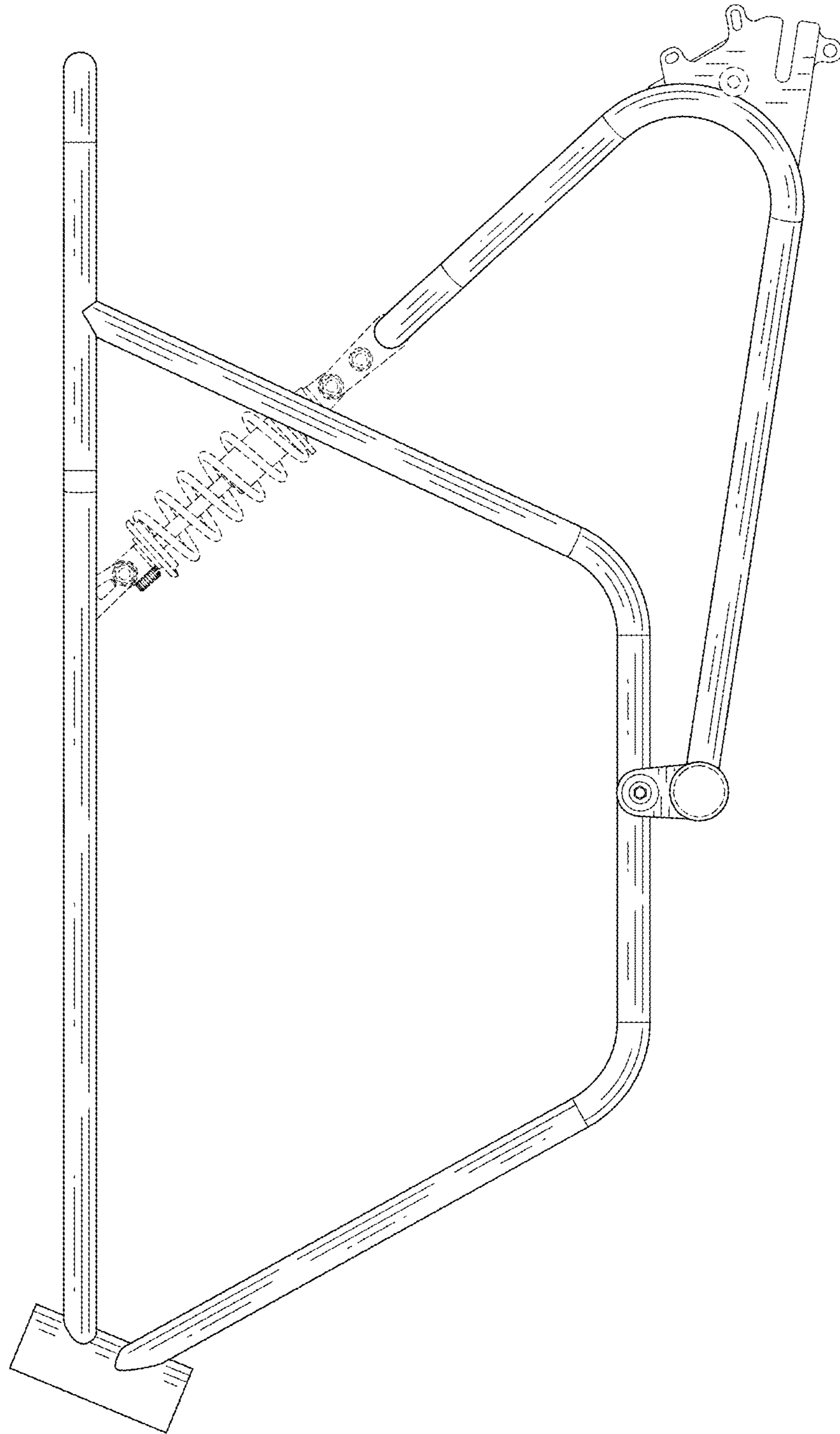


FIG. 3

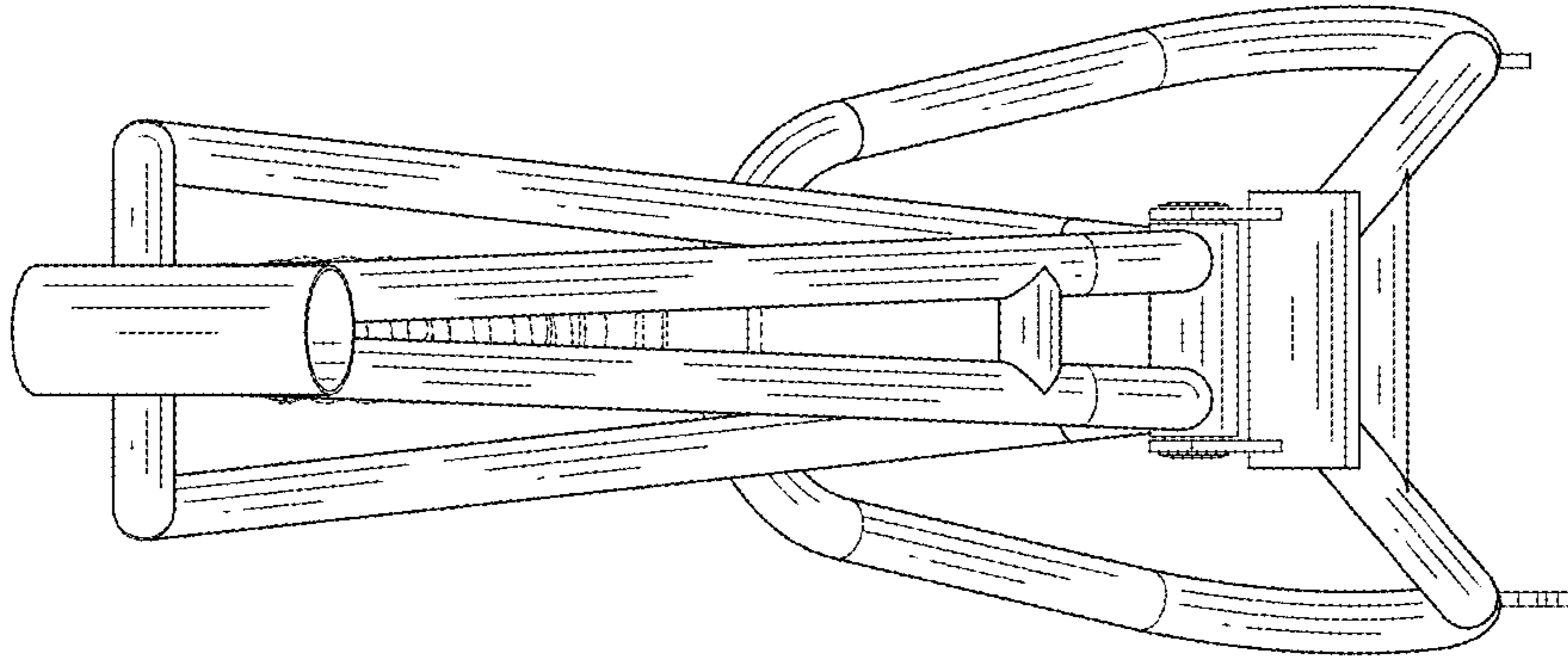


FIG. 5

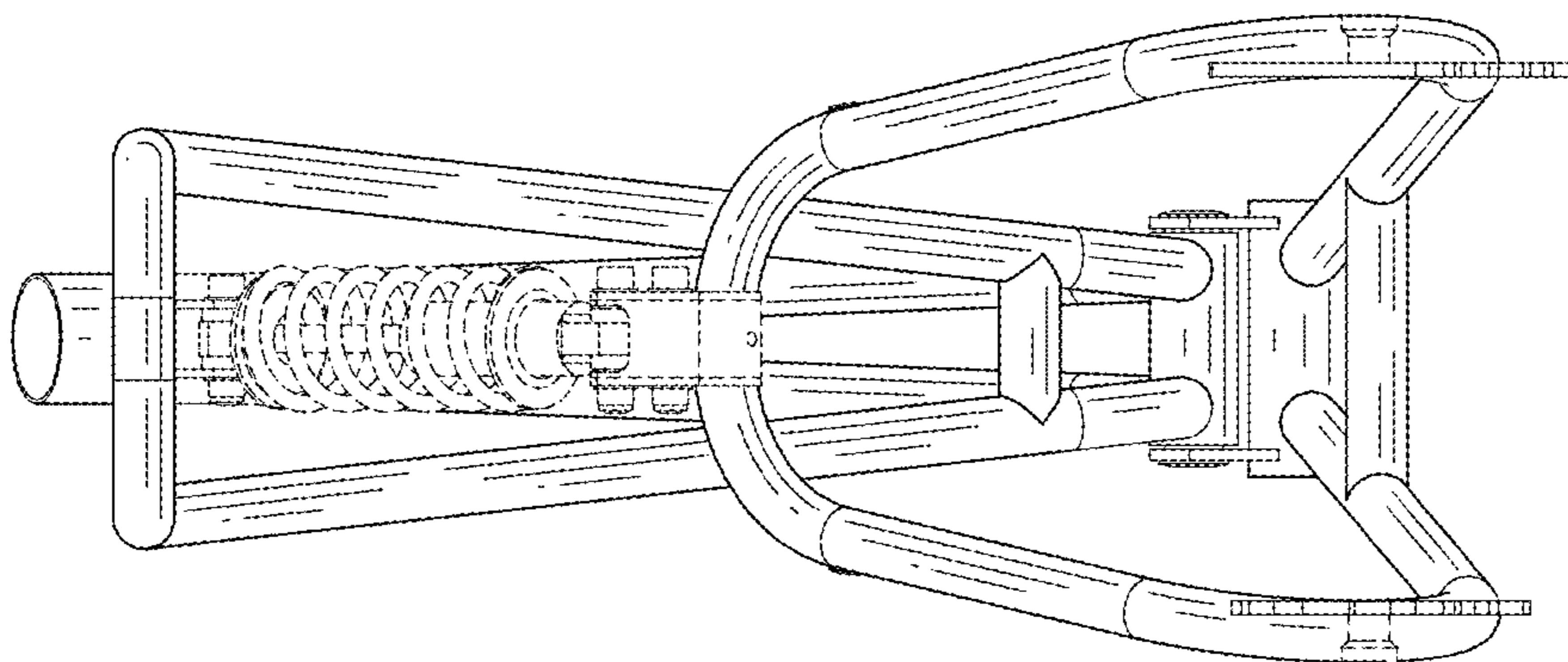


FIG. 4

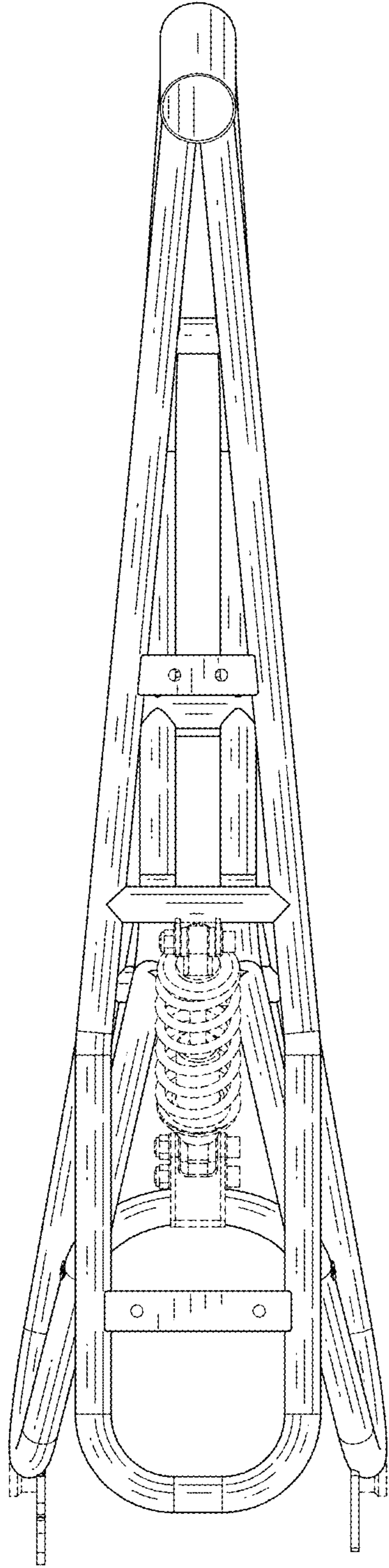


FIG. 6

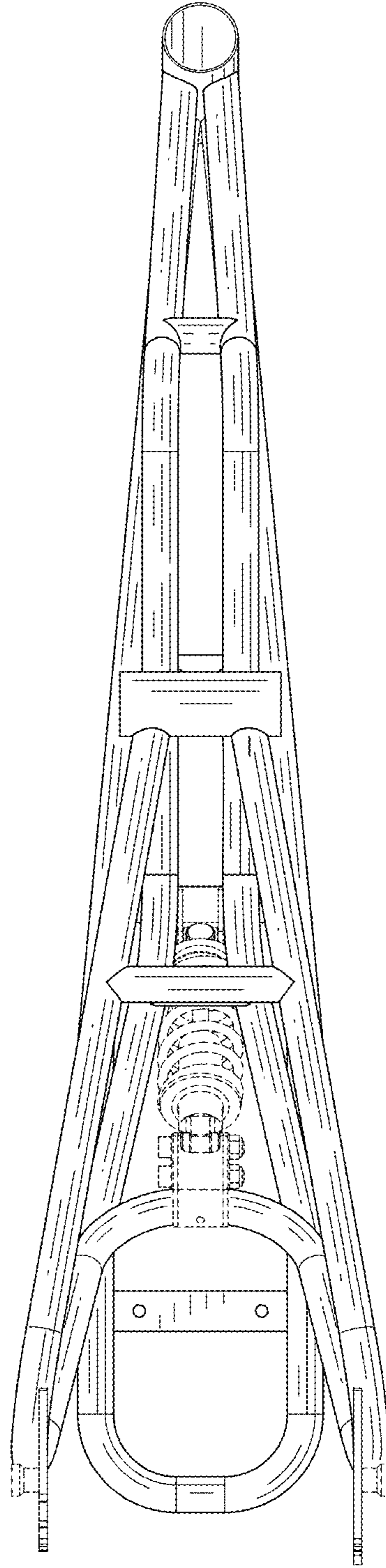


FIG. 7

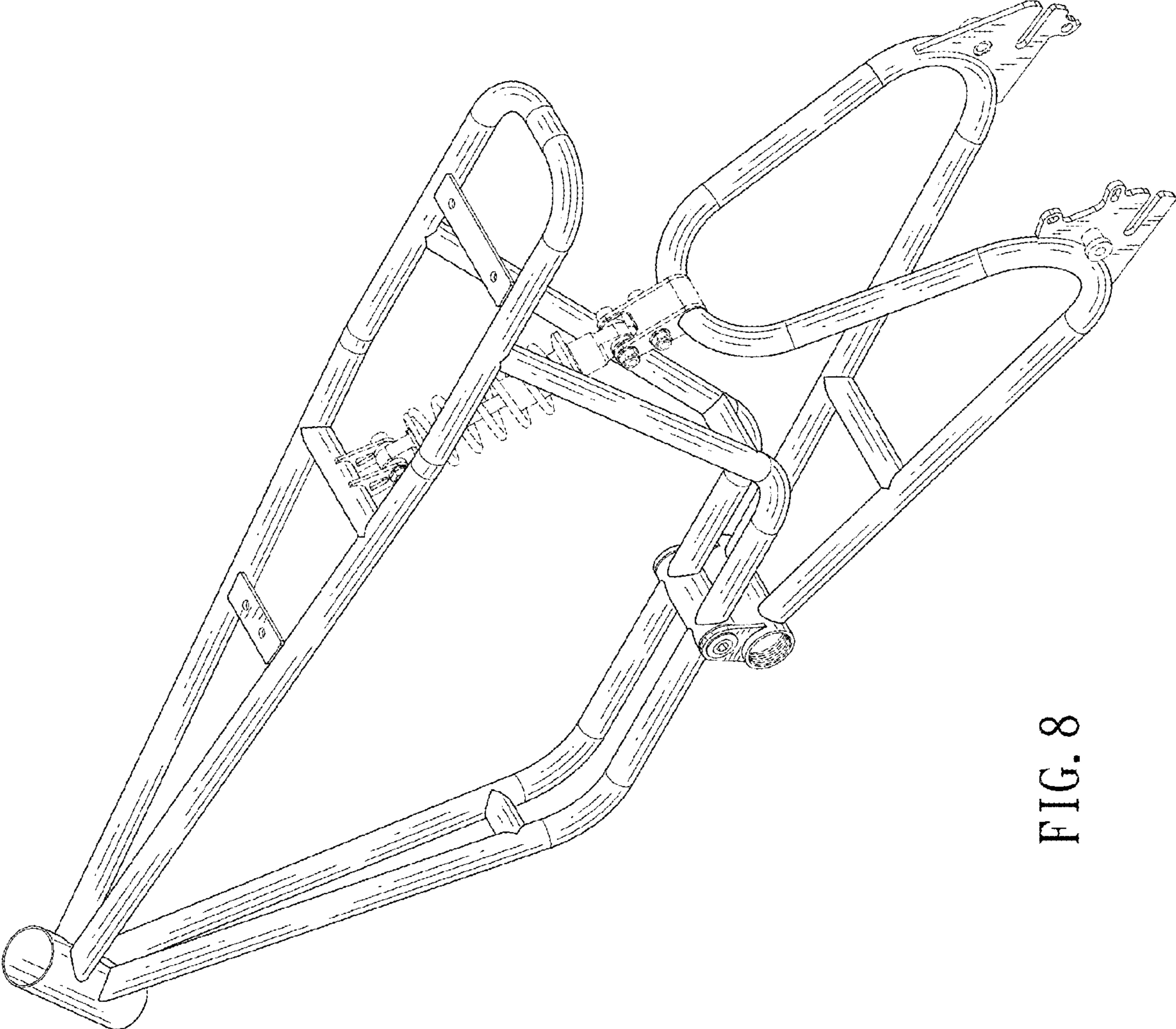


FIG. 8

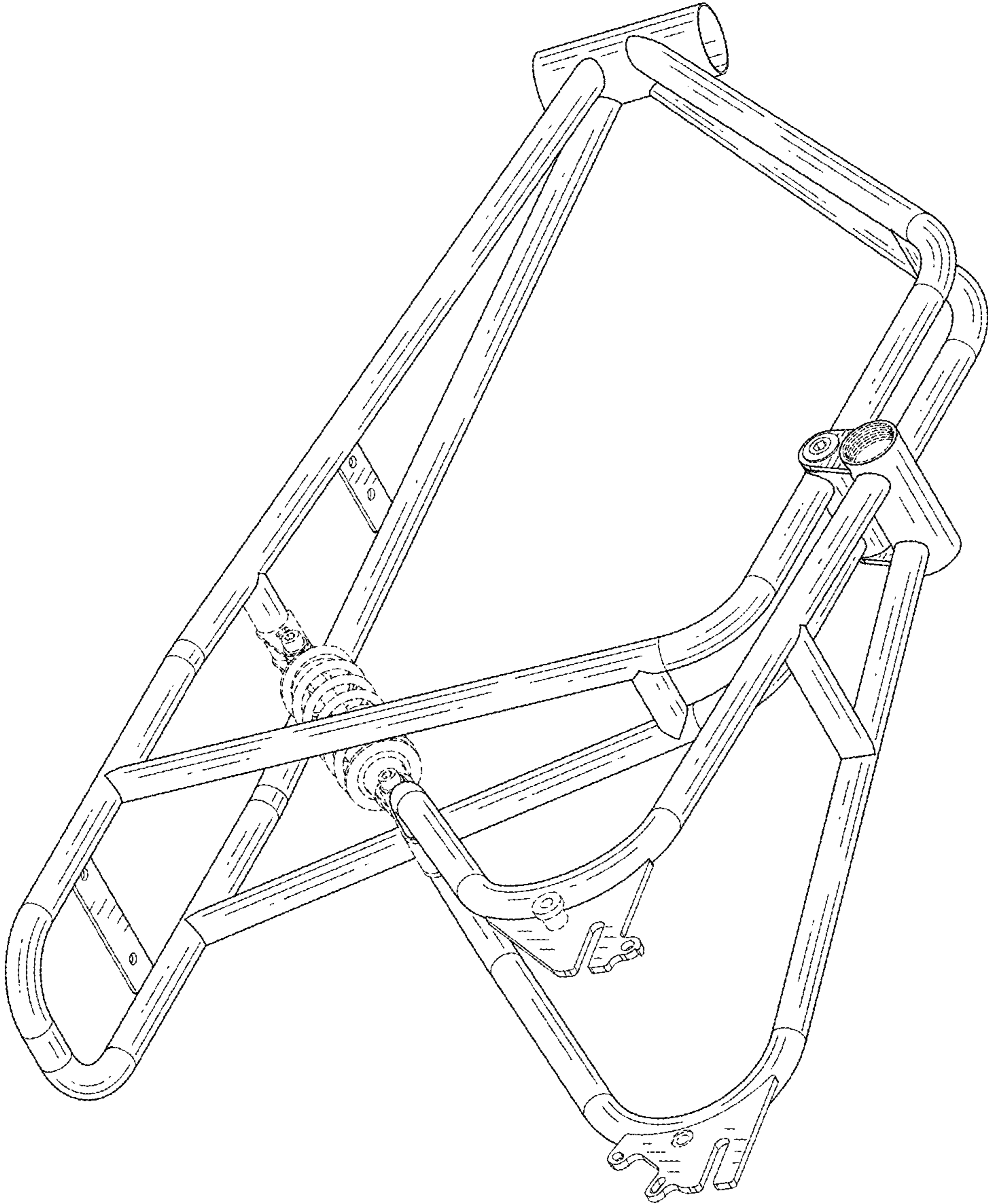


FIG. 9