



US00D885982S

(12) **United States Design Patent**
Tatro et al.

(10) **Patent No.:** **US D885,982 S**

(45) **Date of Patent:** **** Jun. 2, 2020**

- (54) **EXPEDITION VEHICLE BODY**
- (71) Applicant: **Xpedition Vehicle Service, LLC**,
Dacono, CO (US)
- (72) Inventors: **Tyler W. Tatro**, Longmont, CO (US);
William J. Swails, Erie, CO (US);
Derrick A. Glodava, Frederick, CO (US)
- (73) Assignee: **Xpedition Vehicle Service, LLC**,
Dacono, CO (US)
- (**) Term: **15 Years**
- (21) Appl. No.: **29/679,213**
- (22) Filed: **Feb. 4, 2019**
- (51) **LOC (12) Cl.** **12-10**
- (52) **U.S. Cl.**
USPC **D12/103**
- (58) **Field of Classification Search**
USPC D12/19, 129, 100-106, 111-112;
D21/425, 435; D34/21-26, 12, 16-19
CPC .. B62D 35/00; B62D 33/077; B62D 33/0612;
B62D 24/04; B60P 3/10; B60P 3/1033;
B60P 3/0257; B60P 3/34; E01F 15/14
See application file for complete search history.

D610,489 S *	2/2010	Rodabaugh	D12/102
D617,685 S *	6/2010	Rodabaugh	D12/103
D662,444 S *	6/2012	Smoak	D12/102
D852,676 S *	7/2019	Roberts	D12/103
D854,453 S *	7/2019	Roberts	D12/103
D867,934 S *	11/2019	Gaesser	D12/103

* cited by examiner

Primary Examiner — Katrina A Betton

(74) *Attorney, Agent, or Firm* — Davis & Graham & Stubbs LLP

(57) **CLAIM**

The ornamental design for an expedition vehicle body, as shown and described.

DESCRIPTION

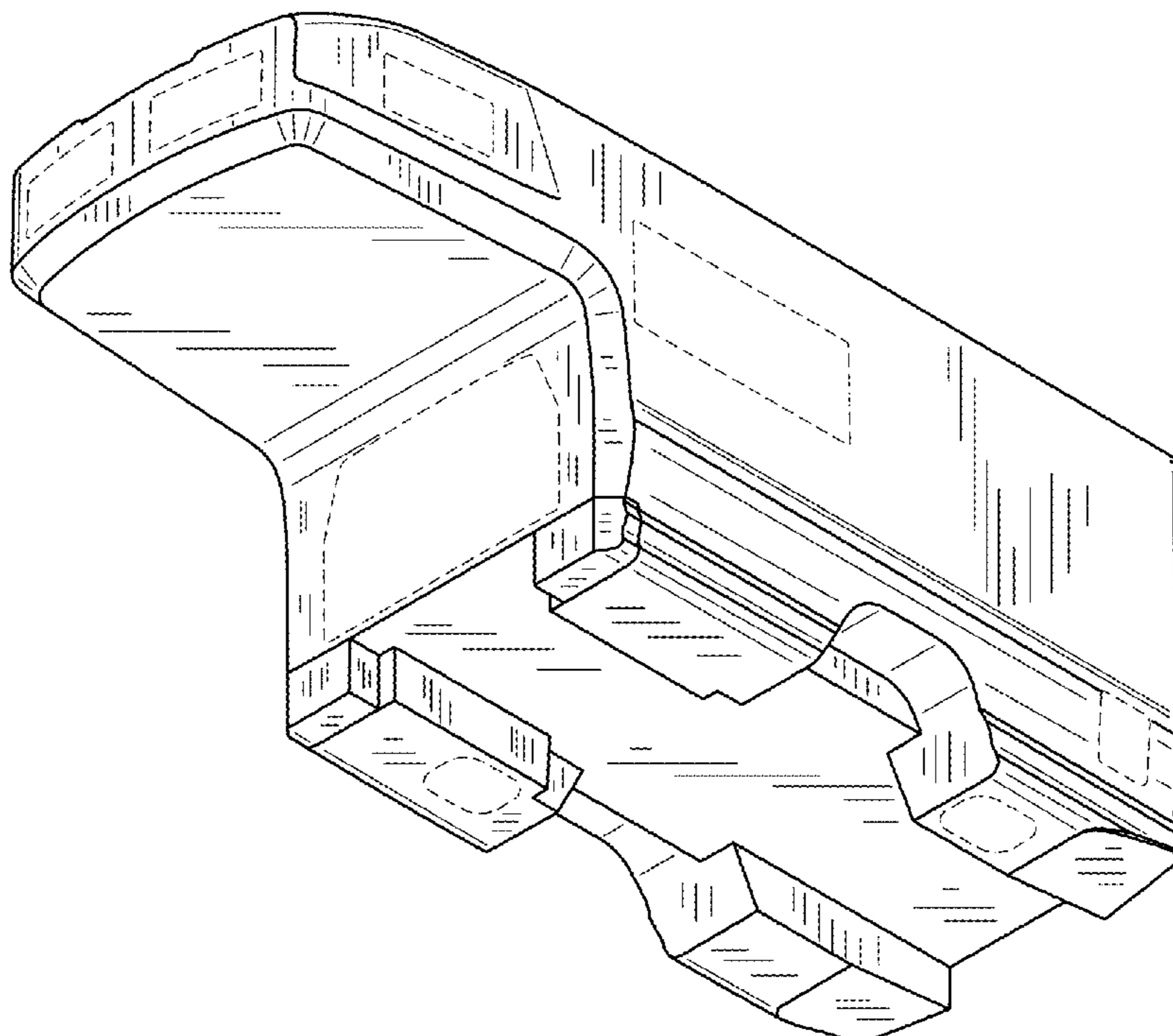
FIG. 1 is a perspective view of an expedition vehicle body in accordance with the present invention shown on a vehicle; FIG. 2 is a perspective view of the expedition vehicle body of FIG. 1; FIG. 3 is a front view of the expedition vehicle body of FIG. 1; FIG. 4 is a back view of the expedition vehicle body of FIG. 1; FIG. 5 is a right side view of the expedition vehicle body of FIG. 1; FIG. 6 is a left side view of the expedition vehicle body of FIG. 1; FIG. 7 is a top view of the expedition vehicle body of FIG. 1; and, FIG. 8 is a bottom view of the expedition vehicle body of FIG. 1.

1 Claim, 6 Drawing Sheets

(56) **References Cited**

U.S. PATENT DOCUMENTS

D542,185 S *	5/2007	Remington	D12/103
D546,731 S *	7/2007	Teague	D12/102
D568,793 S *	5/2008	Oliver	D12/103
D589,847 S *	4/2009	Sasnoswki	D12/102



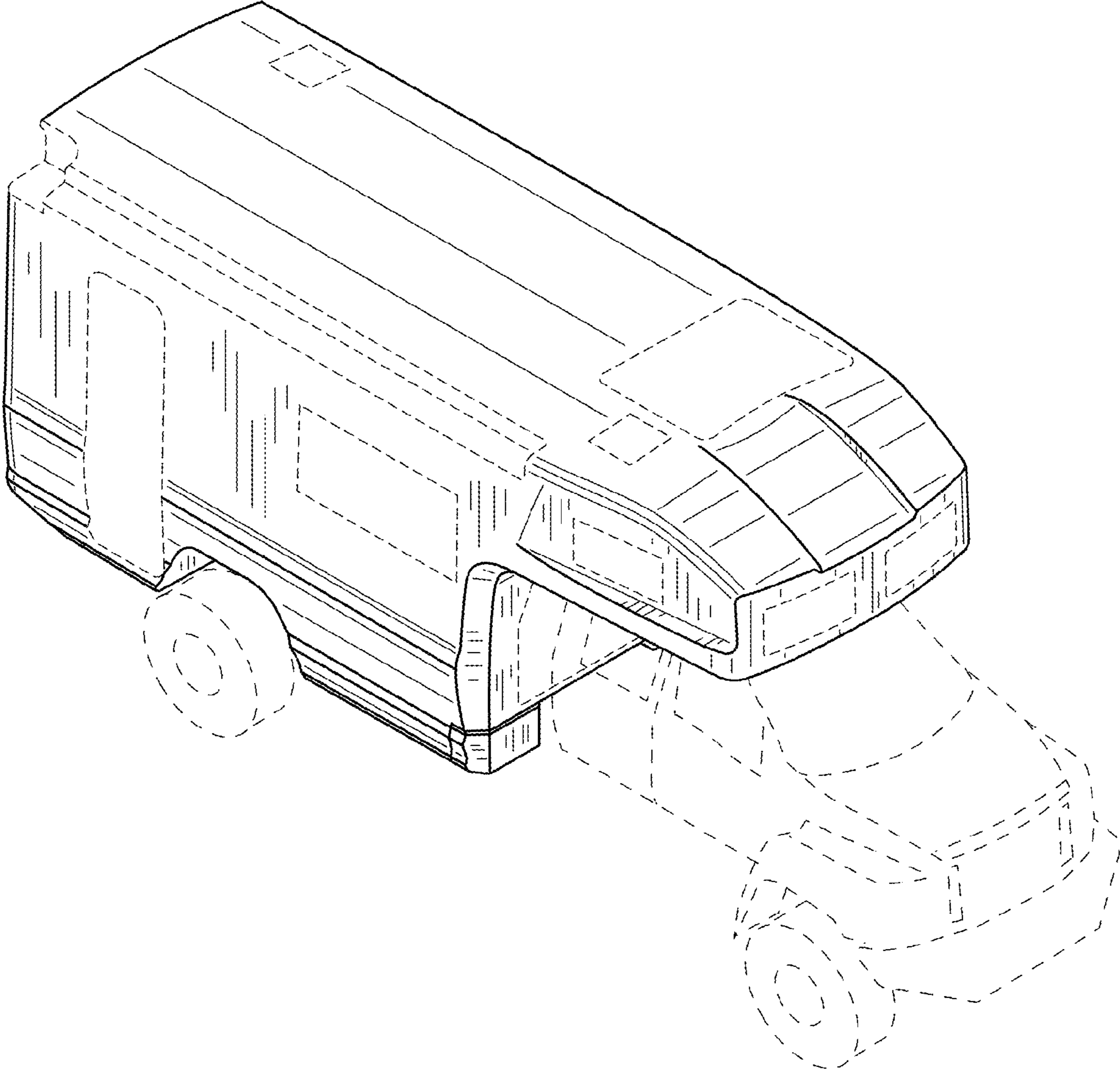


FIG.1

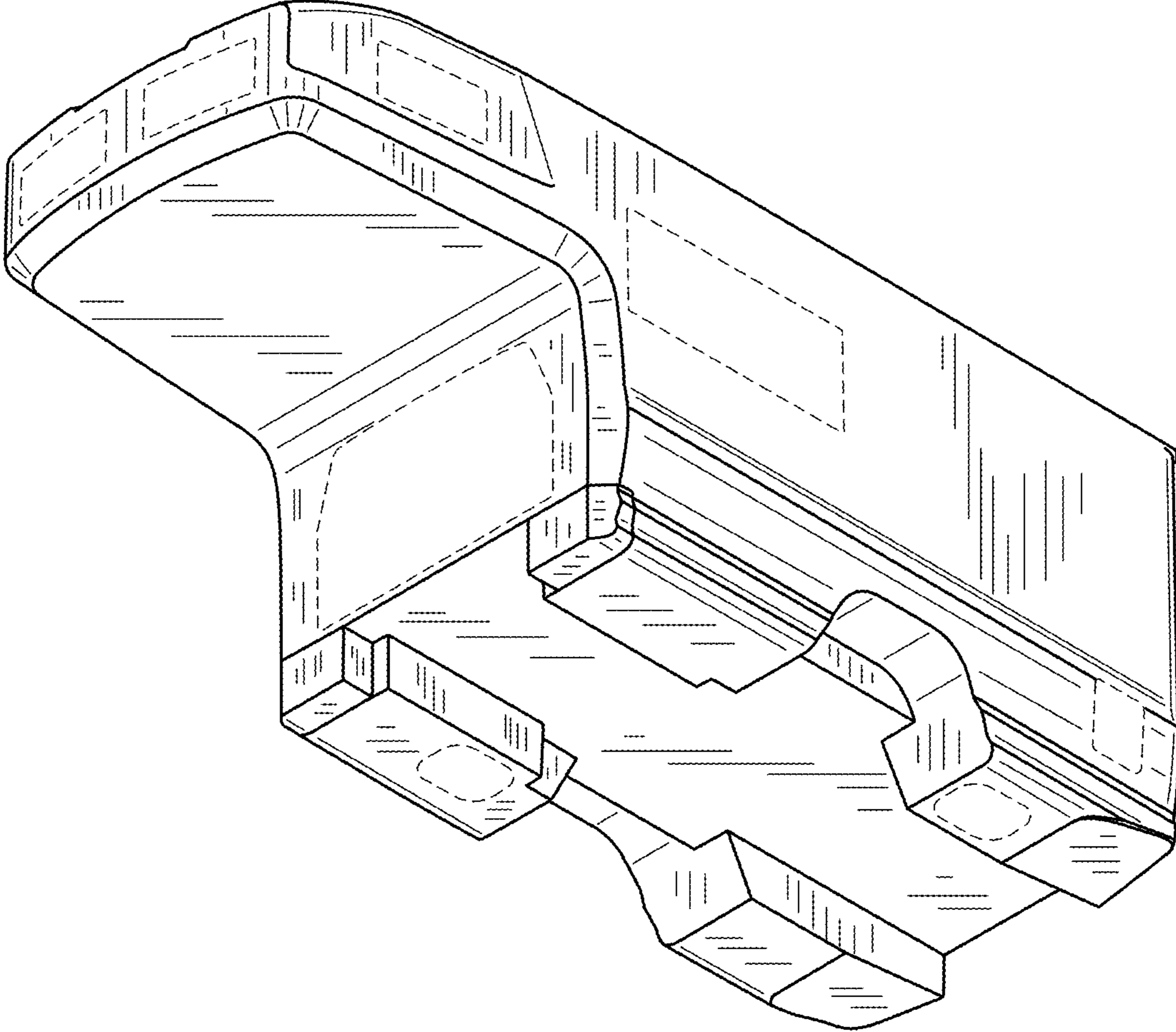


FIG.2

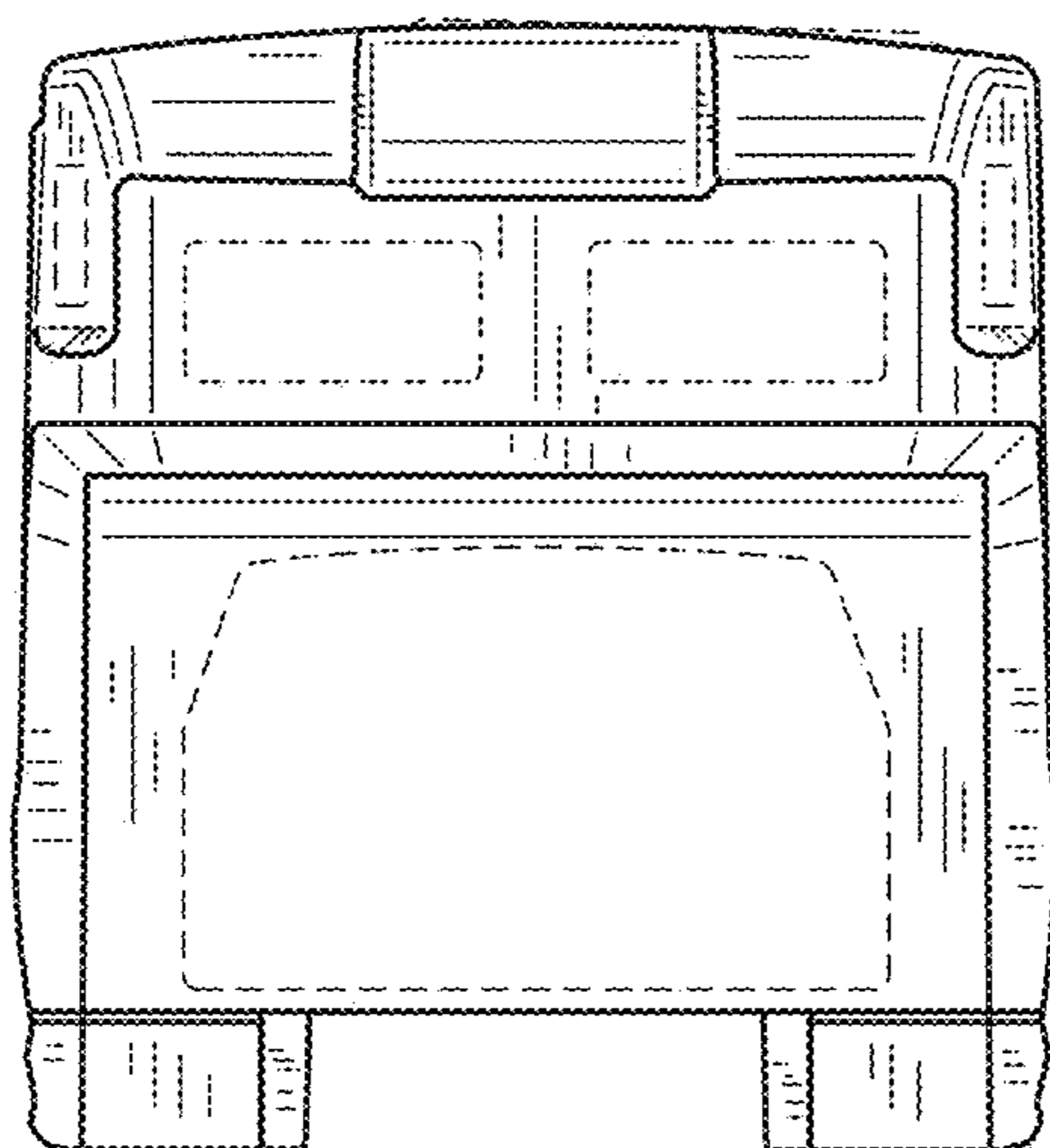


FIG.3

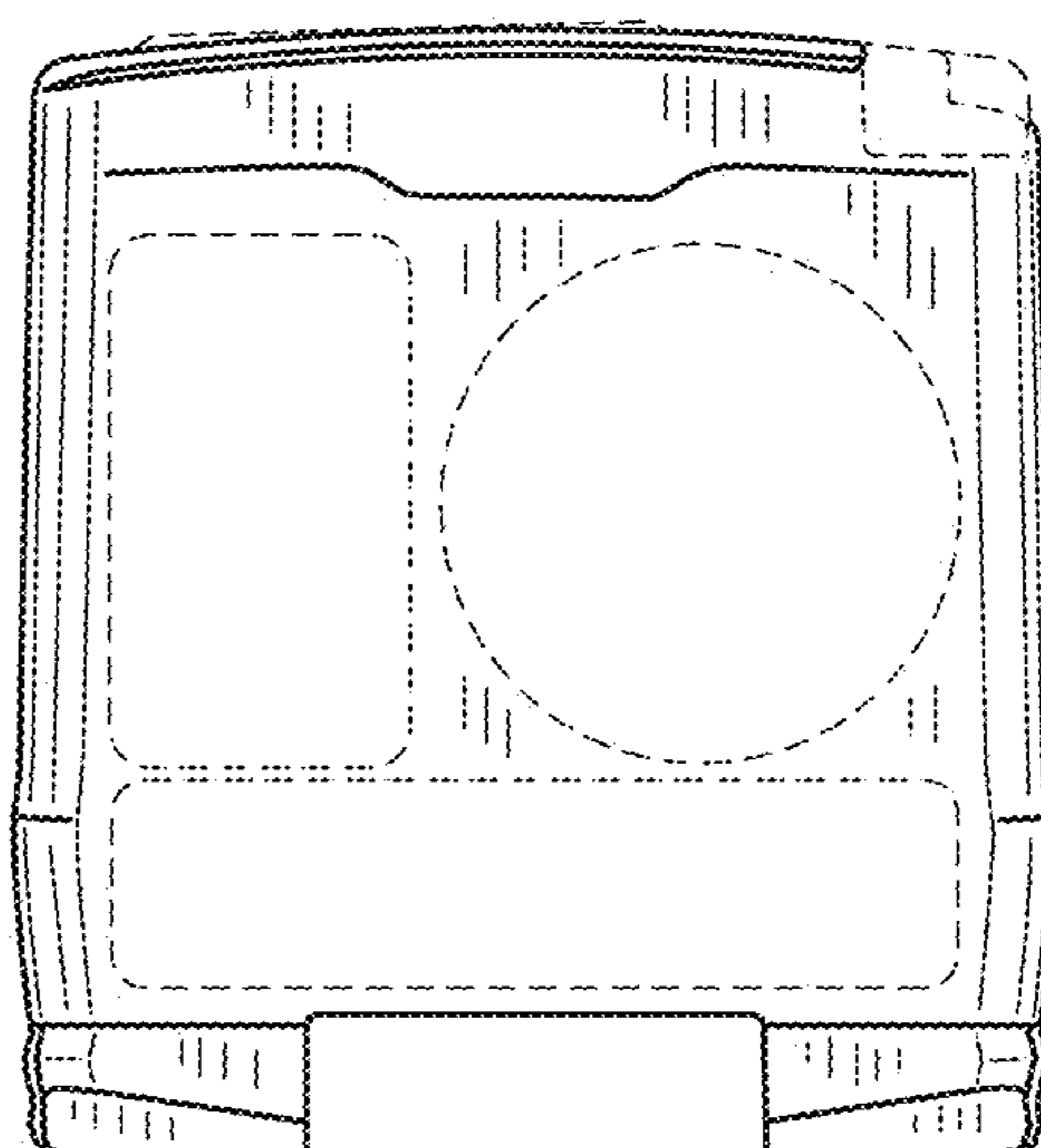


FIG.4

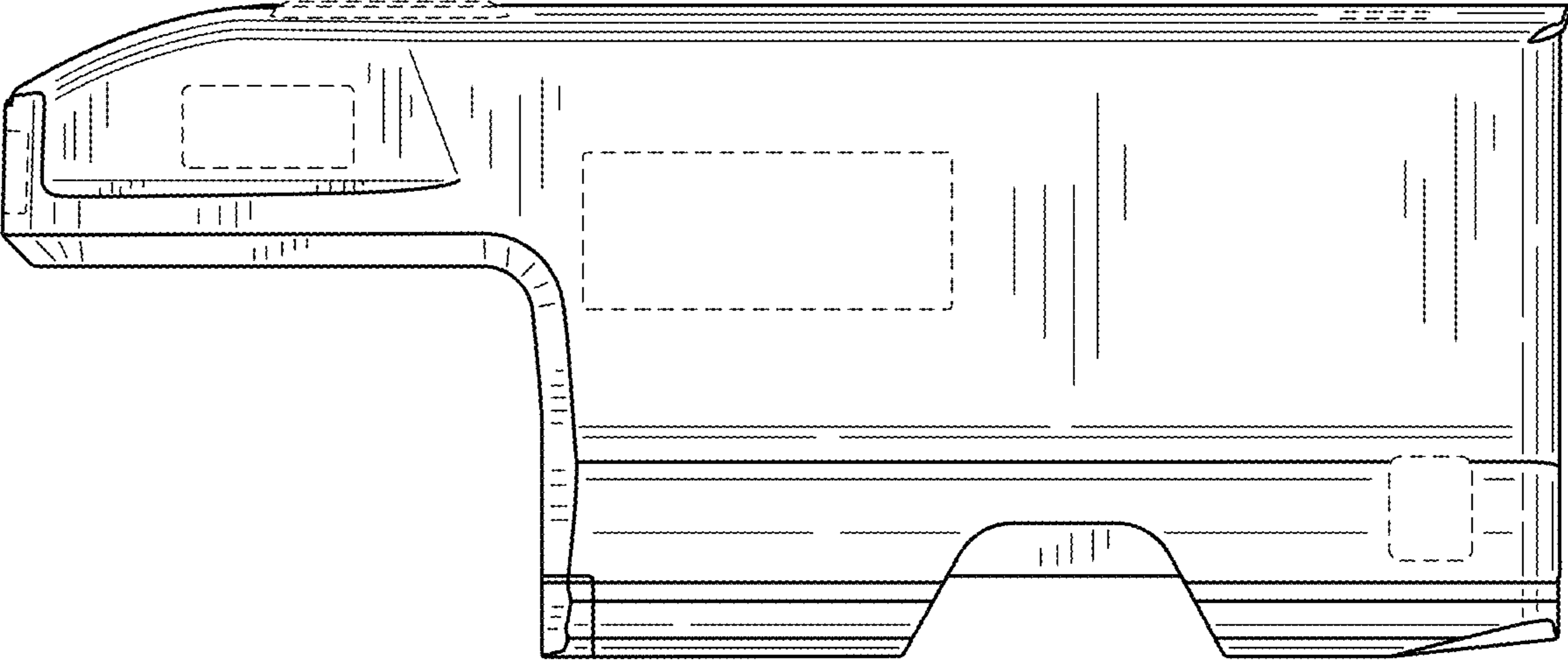


FIG.5

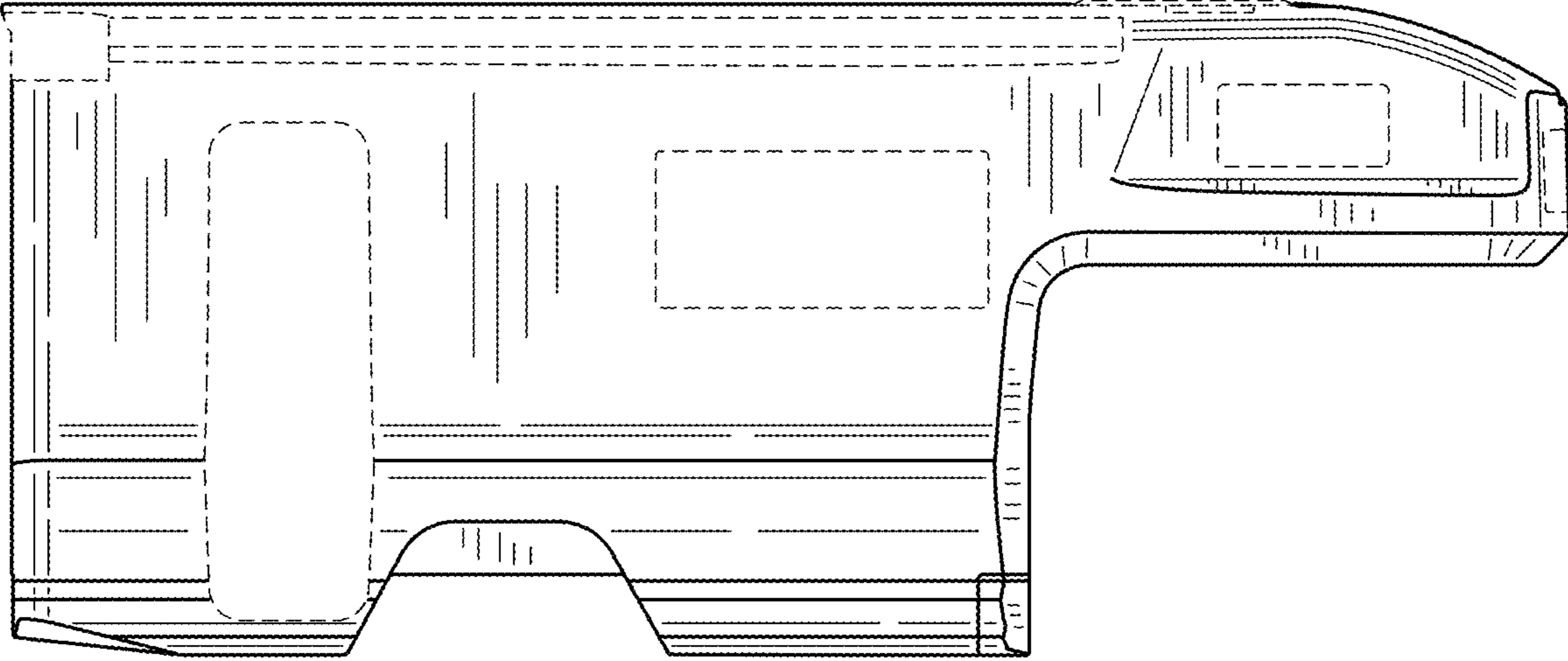


FIG.6

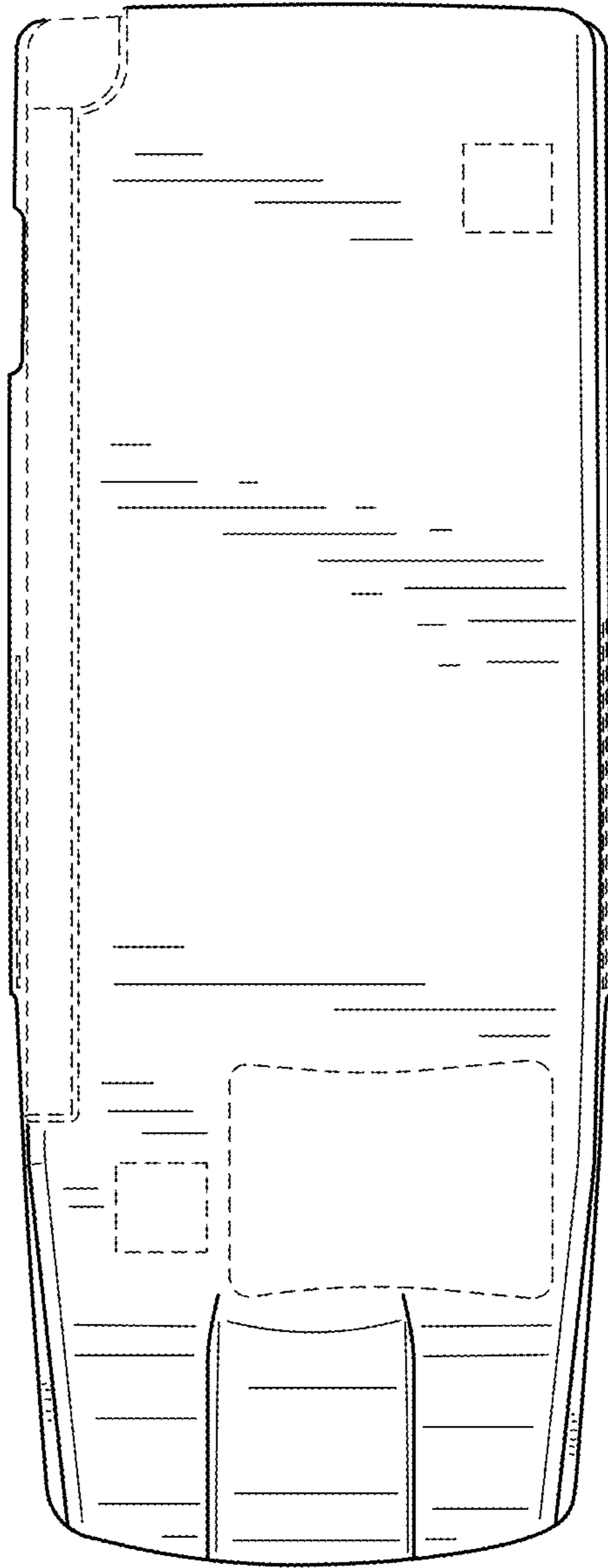


FIG. 7

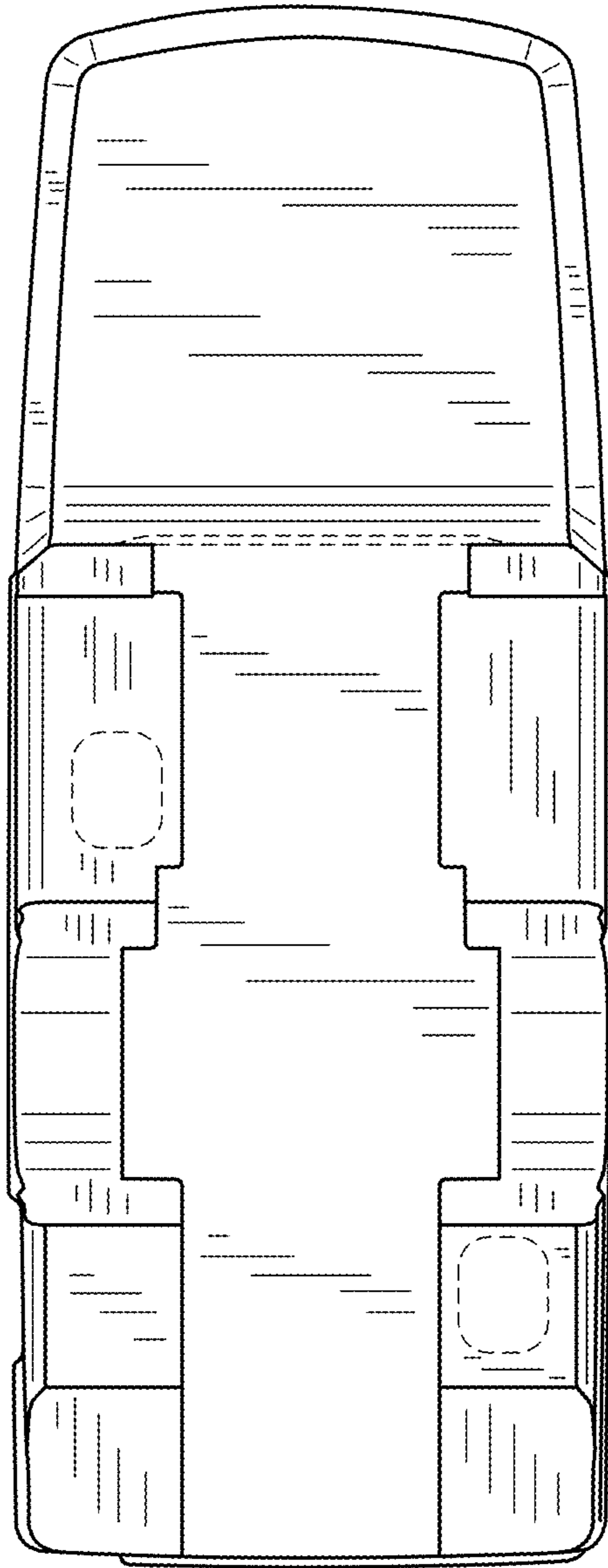


FIG.8