



US00D885981S

(12) **United States Design Patent**  
**Lian et al.**

(10) **Patent No.:** **US D885,981 S**

(45) **Date of Patent:** **\*\* Jun. 2, 2020**

(54) **AUTOMOBILE**

(71) Applicant: **BYD COMPANY LIMITED**,  
Shenzhen, Guangdong OT (CN)

(72) Inventors: **Yubo Lian**, Shenzhen (CN); **Wolfgang Josef Egger**, Shenzhen (CN); **Wenquan Tang**, Shenzhen (CN); **Leyang Li**, Shenzhen (CN)

(73) Assignee: **BYD COMPANY LIMITED**,  
Shenzhen (CN)

(\*\*) Term: **15 Years**

(21) Appl. No.: **29/660,765**

(22) Filed: **Aug. 22, 2018**

(30) **Foreign Application Priority Data**

Feb. 23, 2018 (CN) ..... 2018 3 0072012

(51) **LOC (12) Cl.** ..... **12-08**

(52) **U.S. Cl.**  
USPC ..... **D12/91**

(58) **Field of Classification Search**  
USPC ..... D12/86, 90-92; D21/424, 433, 434;  
296/181.1-181.5, 183.1  
CPC ..... B62D 25/00; B62D 25/06; B62D 33/00;  
B62D 35/00  
See application file for complete search history.

(56) **References Cited**

**U.S. PATENT DOCUMENTS**

D296,196 S \* 6/1988 Fujimura ..... D12/90  
D312,228 S \* 11/1990 Stollery ..... D12/90  
D356,757 S \* 3/1995 Lagaay ..... D12/92

D373,330 S \* 9/1996 Halajko ..... D12/90  
D457,467 S \* 5/2002 Shimizu ..... D12/86  
D458,186 S \* 6/2002 Shimizu ..... D12/86  
D458,187 S \* 6/2002 Shimizu ..... D12/86  
D522,408 S \* 6/2006 Ploue ..... D12/92  
D565,464 S \* 4/2008 Falasca ..... D12/91  
D626,033 S \* 10/2010 Browne ..... D12/86  
D738,259 S \* 9/2015 Ohnuma ..... D12/92  
D796,999 S \* 9/2017 Klimov ..... D12/92  
D835,000 S \* 12/2018 Tomasson ..... D12/91  
D839,784 S \* 2/2019 Sugawara ..... D12/86  
D846,447 S \* 4/2019 Janin ..... D12/90

\* cited by examiner

*Primary Examiner* — Melody N Brown

(74) *Attorney, Agent, or Firm* — Calfee, Halter & Griswold LLP

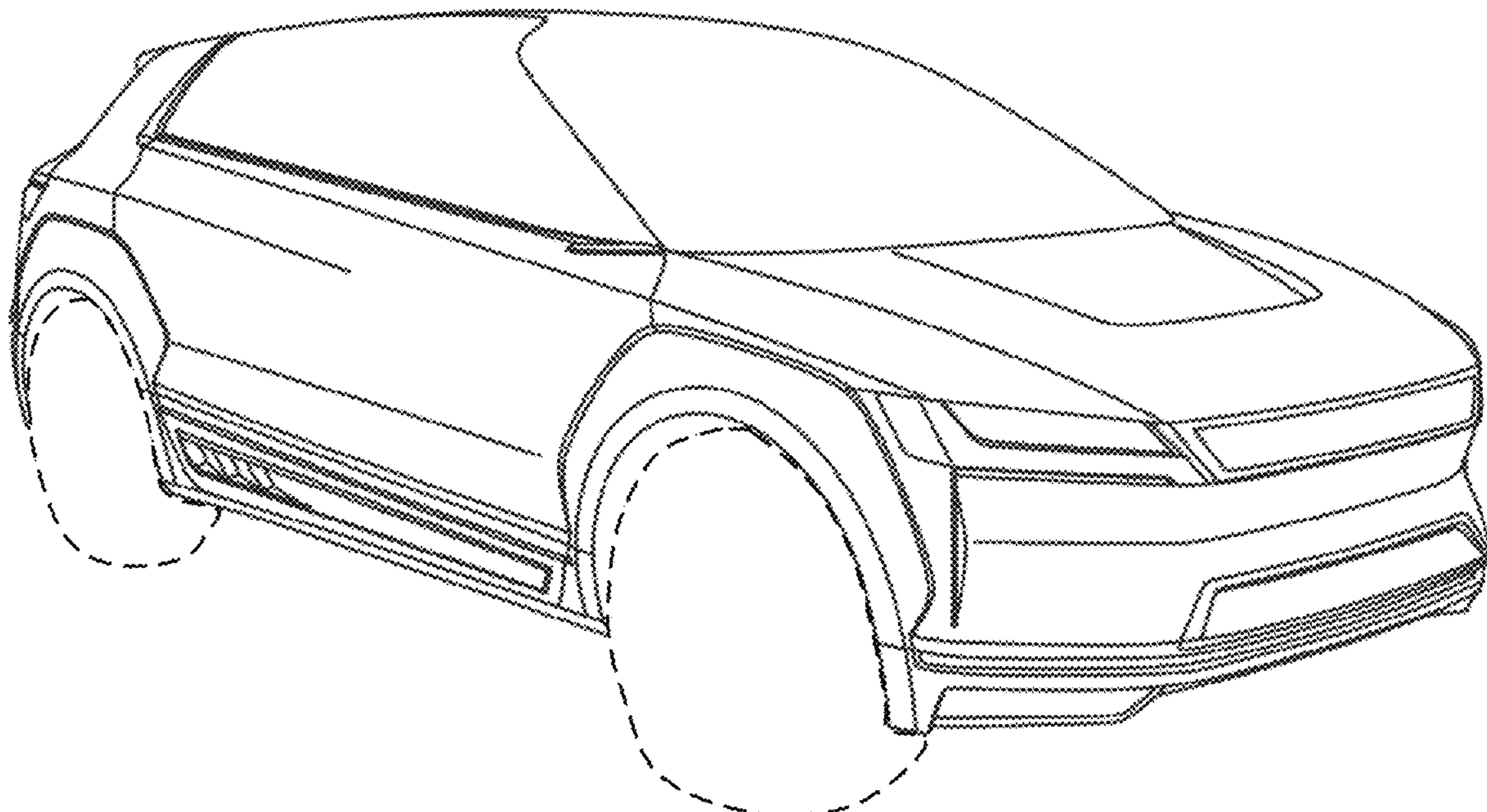
(57) **CLAIM**

We claim the ornamental design for an automobile, as shown and described.

**DESCRIPTION**

FIG. 1 is a front elevational view of an automobile showing our new design;  
FIG. 2 is a rear elevational view thereof;  
FIG. 3 is a right side elevational view thereof;  
FIG. 4 is a left side elevational view thereof;  
FIG. 5 is a top plan view thereof;  
FIG. 6 is a top, front and left side perspective view thereof; and,  
FIG. 7 is a top, rear and left side perspective view thereof. The bottom view forms no part of the claimed design. The rendered drawings include surface shading that represents contour and not surface ornamentation. The broken line showing of wheels is for the purpose of illustrating environmental structure and forms no part of the claimed design.

**1 Claim, 5 Drawing Sheets**



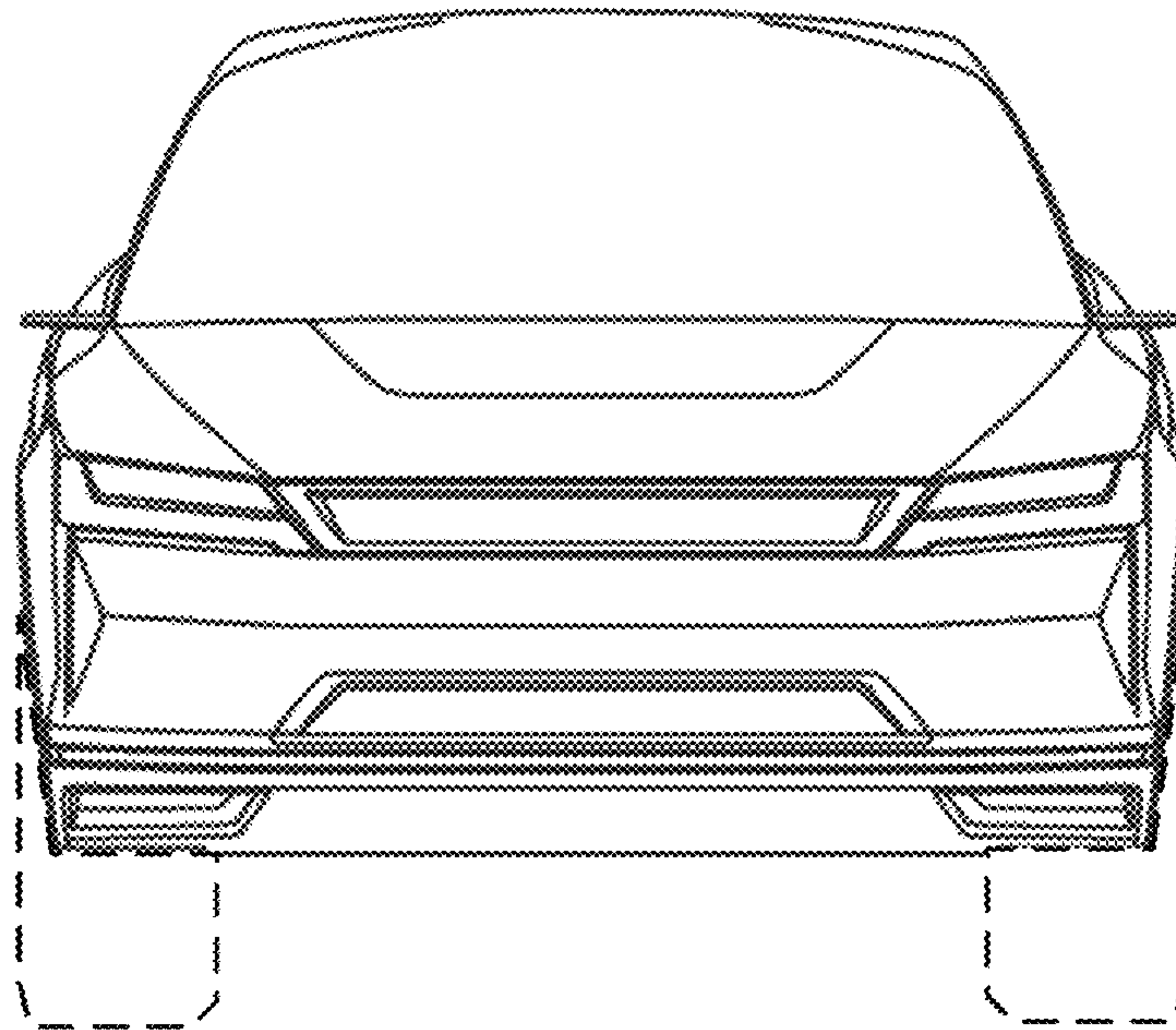


FIG. 1

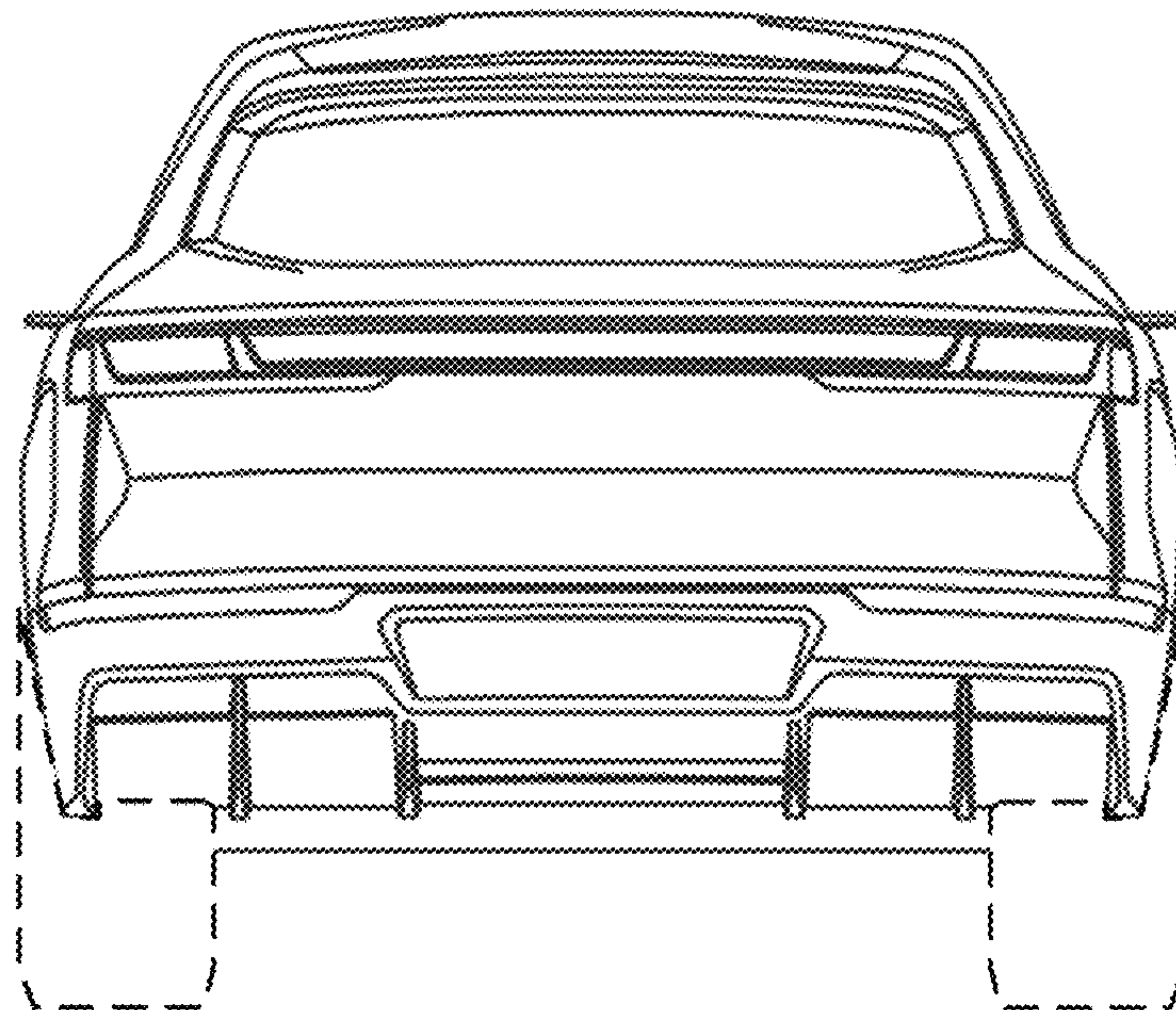


FIG. 2



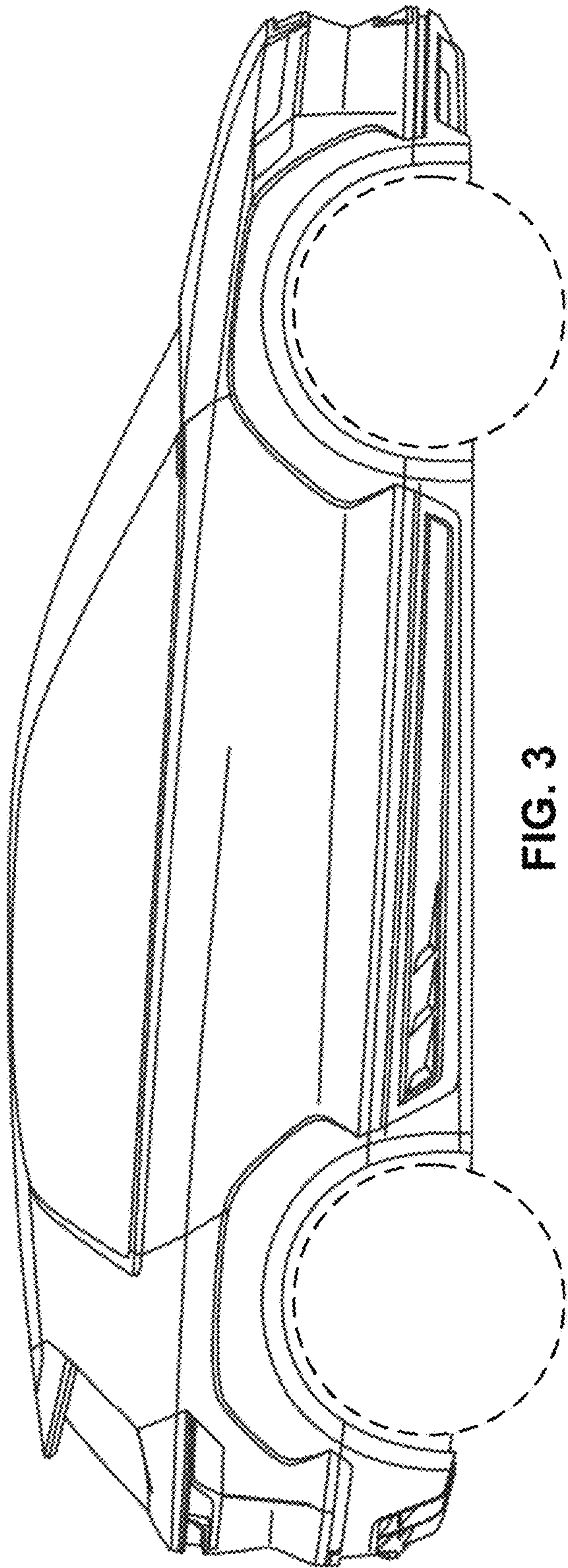


FIG. 3

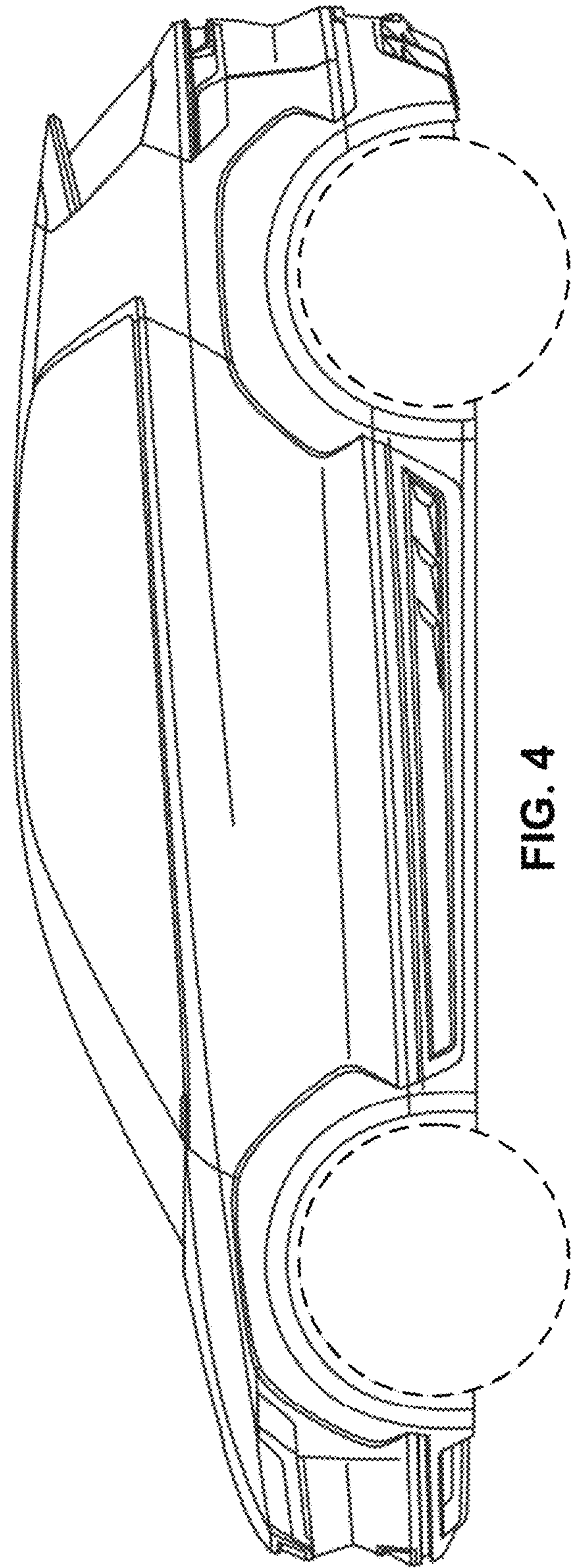


FIG. 4

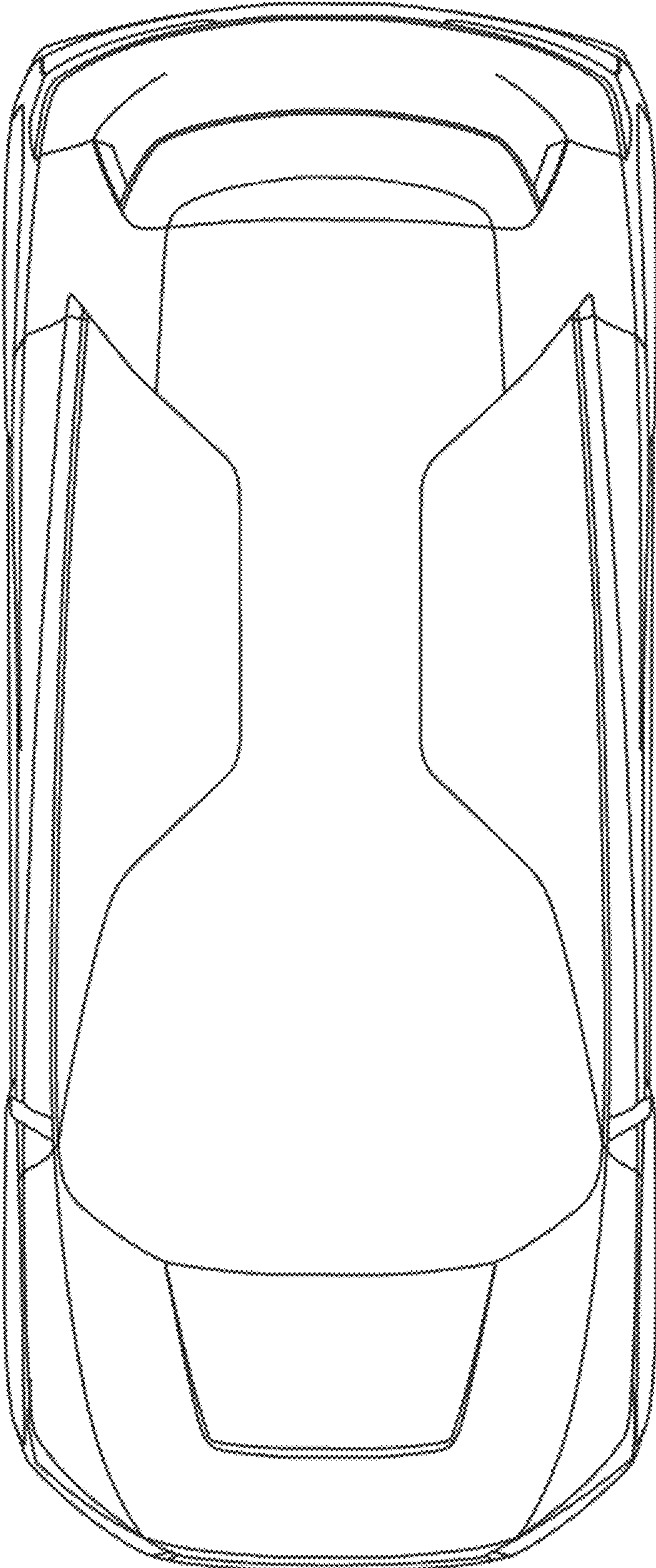


FIG. 5



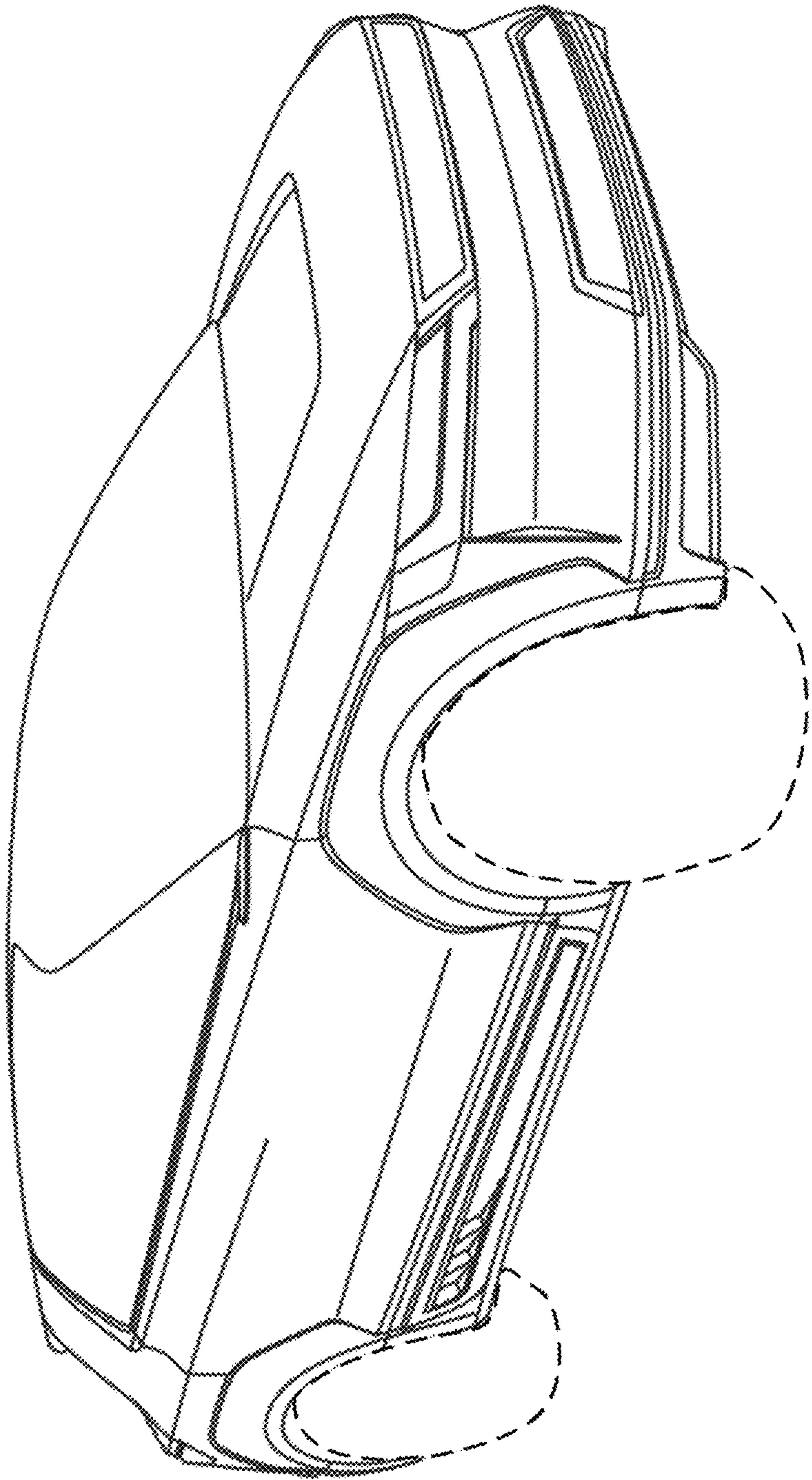


FIG. 6

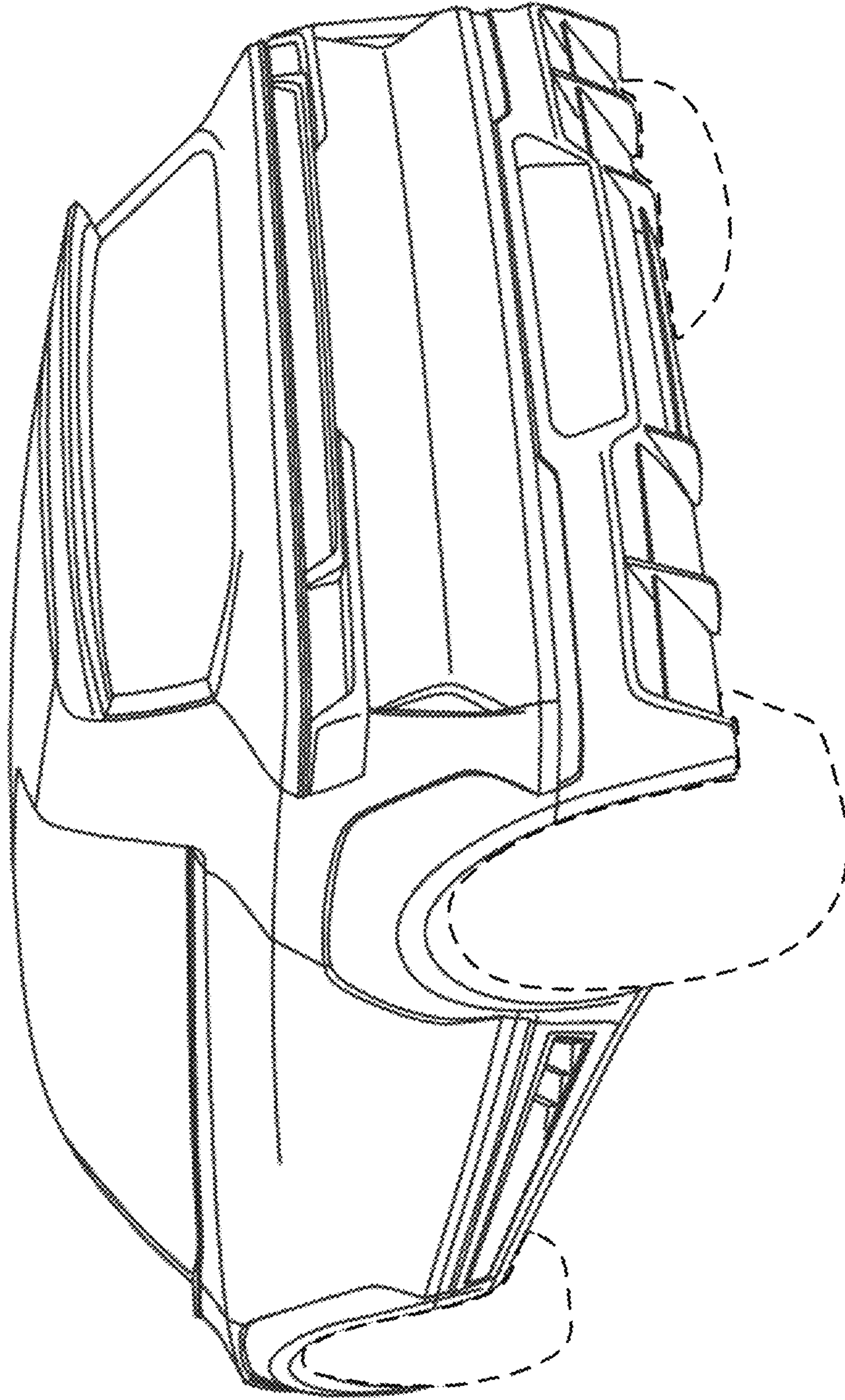


FIG. 7