



US00D885978S

(12) **United States Design Patent**
Steininger

(10) **Patent No.:** **US D885,978 S**

(45) **Date of Patent:** **** Jun. 2, 2020**

(54) **SPLICE FOR PROTECTION BOARDS**

(71) Applicant: **Richard Steininger**, North Jackson, OH (US)

(72) Inventor: **Richard Steininger**, North Jackson, OH (US)

(**) Term: **15 Years**

(21) Appl. No.: **29/714,596**

(22) Filed: **Nov. 25, 2019**

(51) **LOC (12) Cl.** **12-03**

(52) **U.S. Cl.**
USPC **D12/49**

(58) **Field of Classification Search**
USPC D12/36-51, 223; D8/349, 354; D15/199
CPC B60M 1/04; B60M 1/30; B60M 1/103;
B60M 1/106; B60M 1/02; B60M 1/00
See application file for complete search history.

(56) **References Cited**

U.S. PATENT DOCUMENTS

D30,270 S * 2/1899 Gorman D12/43
693,603 A * 2/1902 Hobbs B60M 1/04
191/30
802,716 A * 10/1905 Steinberger B60M 1/04
191/30

D507,228 S * 7/2005 Matthies D12/223
7,926,634 B1 * 4/2011 Morales B60M 1/307
191/29 R
9,575,274 B2 * 2/2017 Allen G02B 6/4454
2017/0320404 A1 11/2017 Steininger

* cited by examiner

Primary Examiner — Ania Aman

(74) *Attorney, Agent, or Firm* — Fay Sharpe LLP

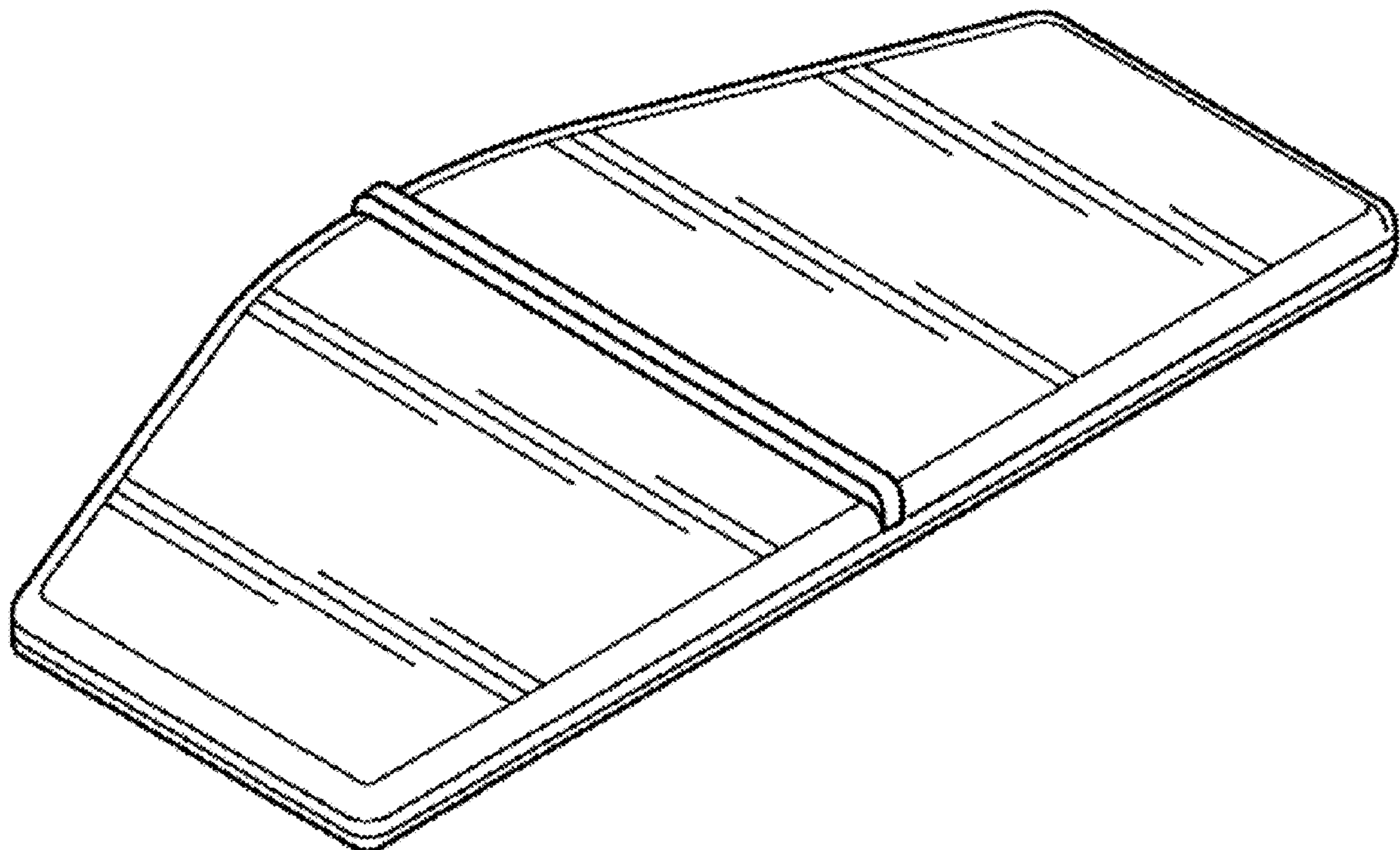
(57) **CLAIM**

The ornamental design for a splice for protection boards, as shown and described.

DESCRIPTION

FIG. 1 is a perspective view of a splice for protection boards showing a first embodiment of my new design;
FIG. 2 is a bottom plan view thereof;
FIG. 3 is a top plan view thereof;
FIG. 4 is a left side elevational view thereof, with a right side elevational view being a mirror image thereof;
FIG. 5 is a rear elevational view thereof; and
FIG. 6 is a front elevational view thereof;
FIG. 7 is a perspective view of a splice for protection boards according to a second embodiment of my new design;
FIG. 8 is a bottom plan view thereof;
FIG. 9 is a top plan view thereof;
FIG. 10 is a left side elevational view thereof, with a right side elevational view being a mirror image thereof;
FIG. 11 is a rear elevational view thereof; and,
FIG. 12 is a front elevational view thereof.

1 Claim, 2 Drawing Sheets



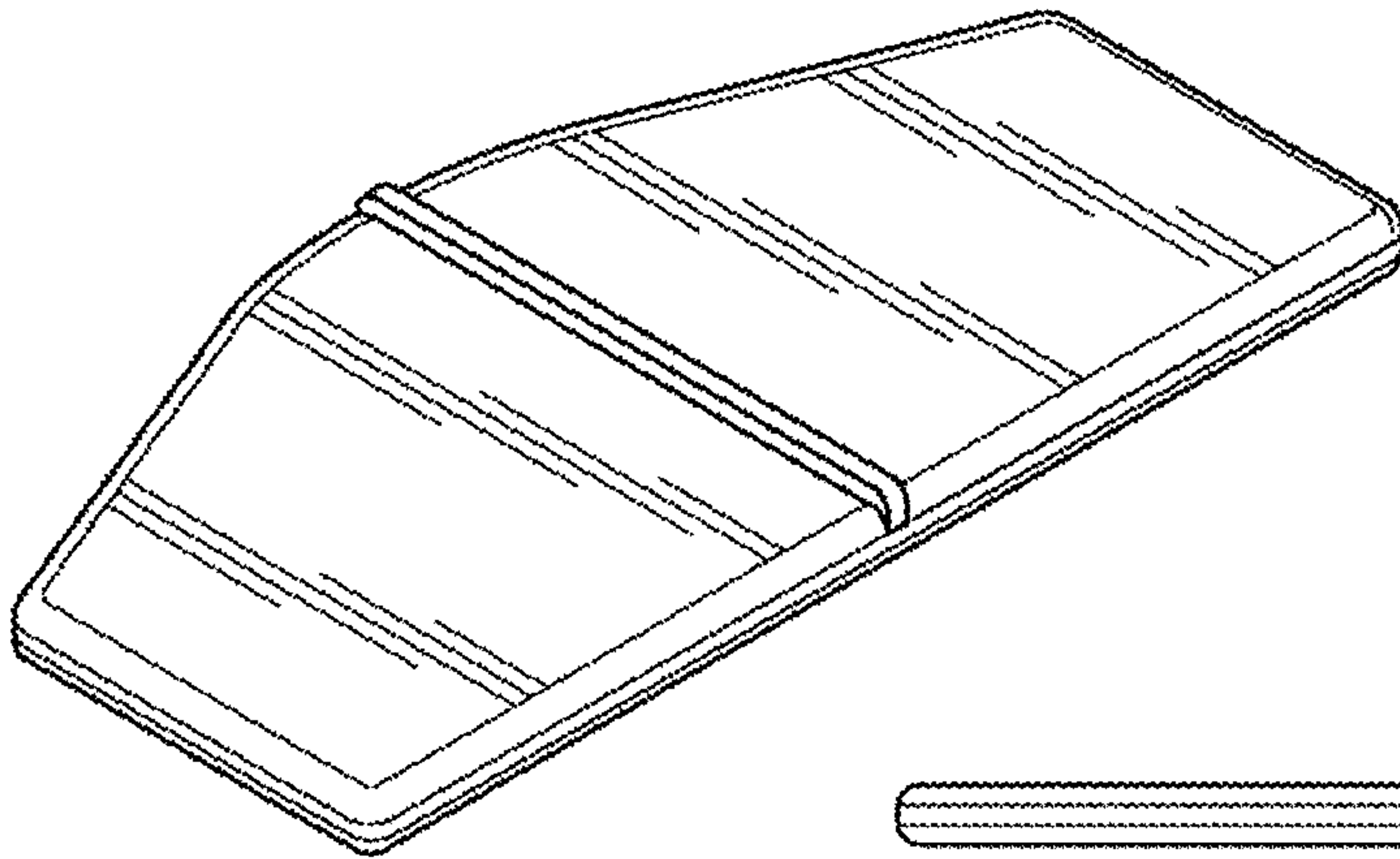


FIG. 1



FIG. 5

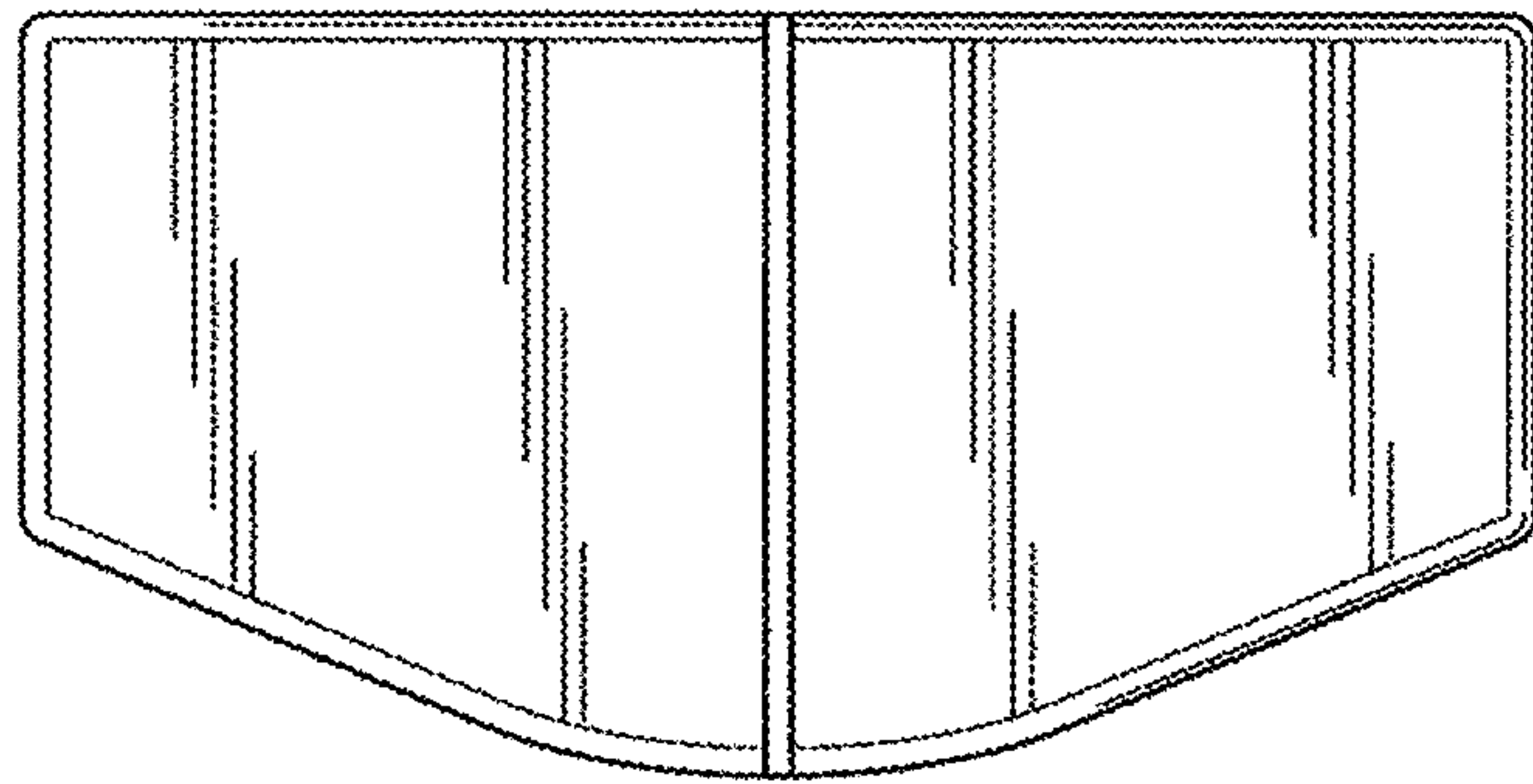


FIG. 3

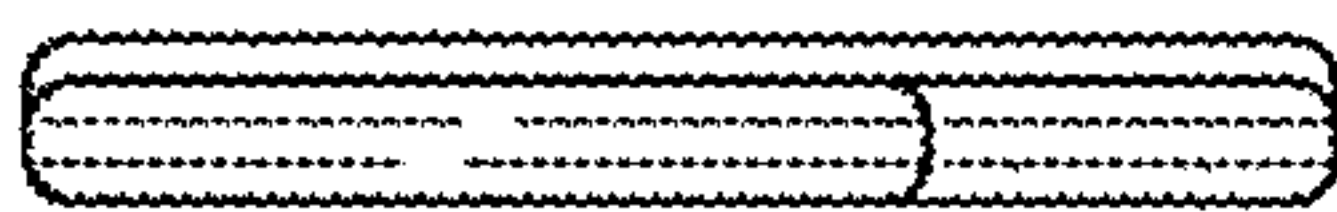


FIG. 4



FIG. 6

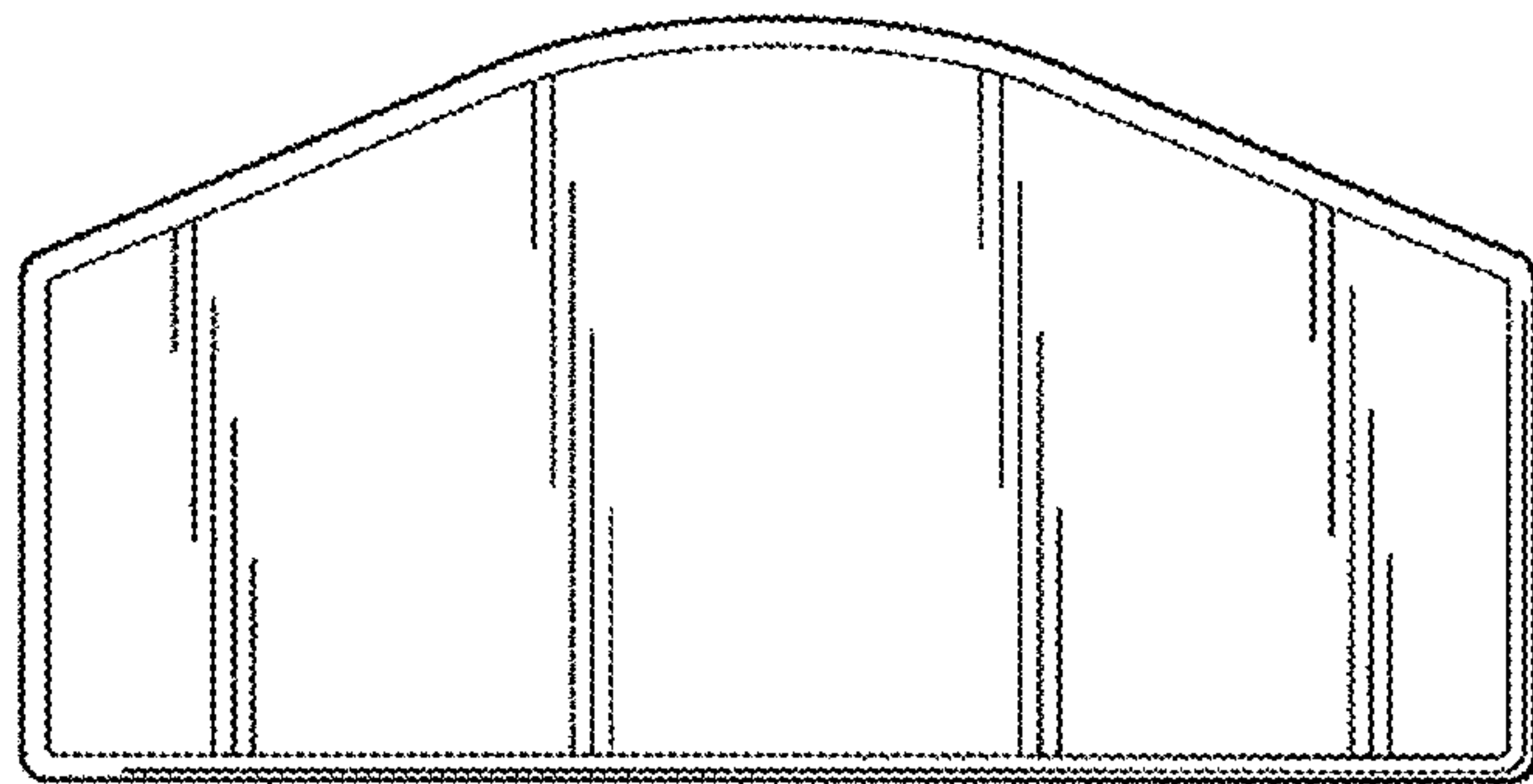


FIG. 2

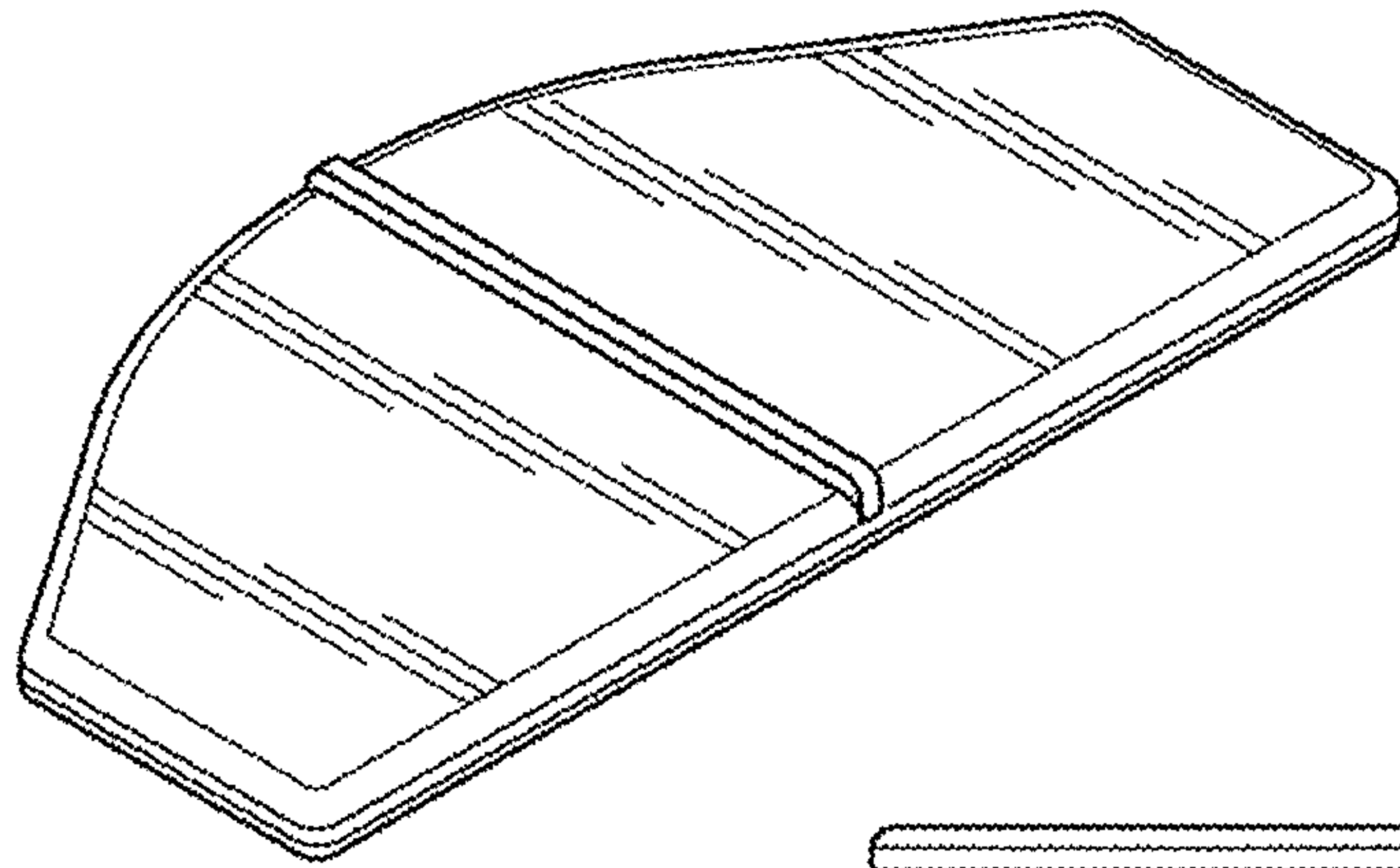


FIG. 7



FIG. 11

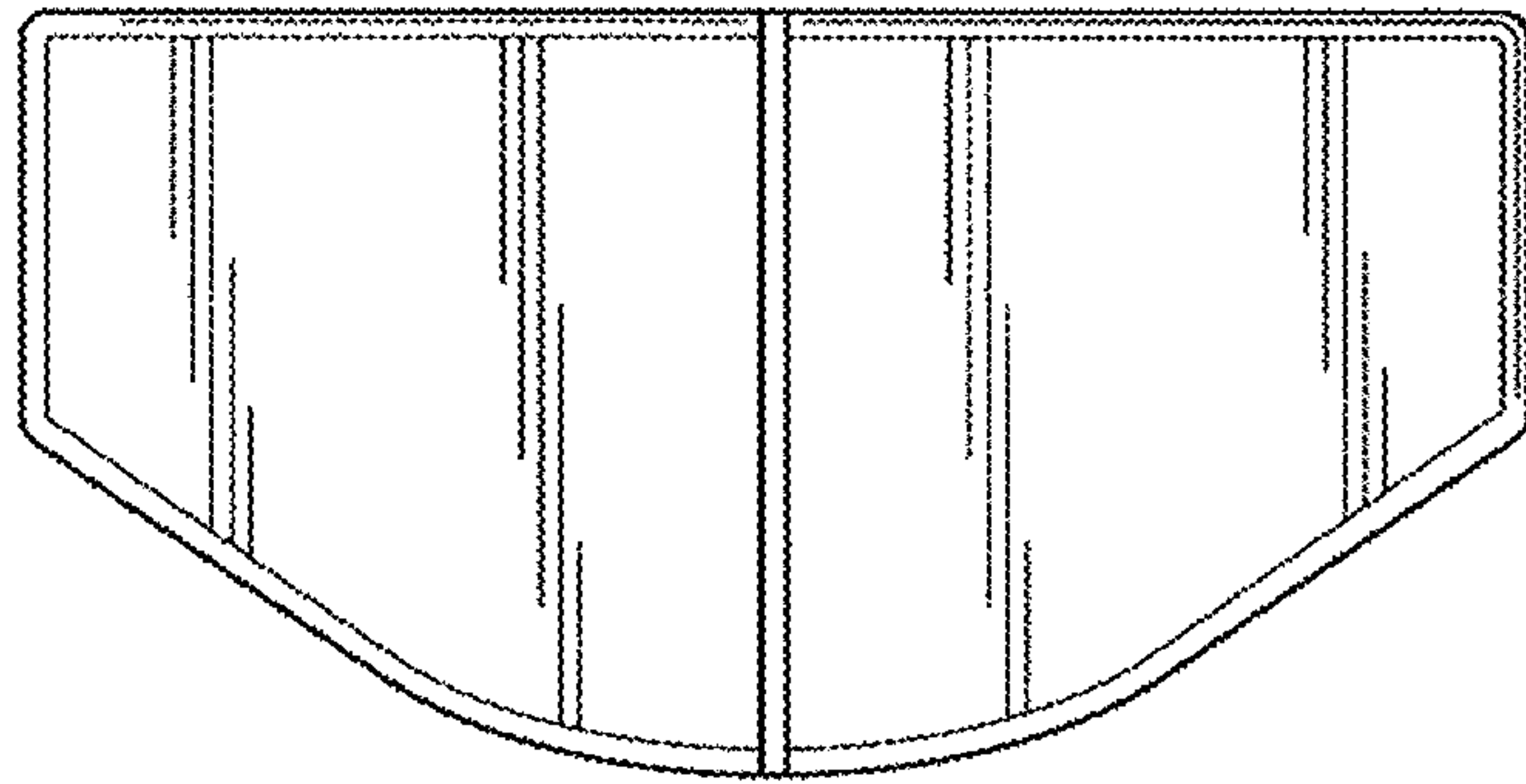


FIG. 9

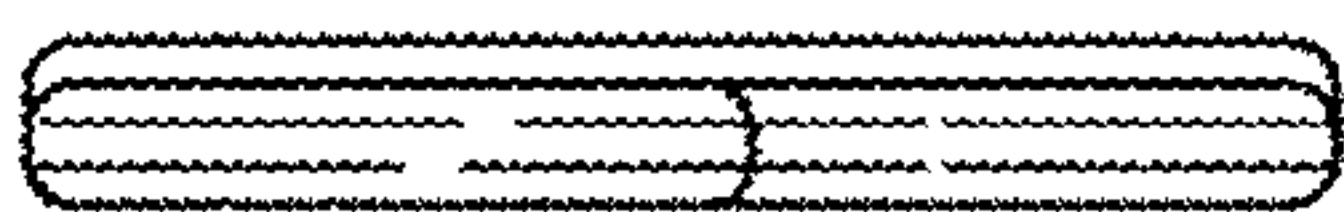


FIG. 10



FIG. 12

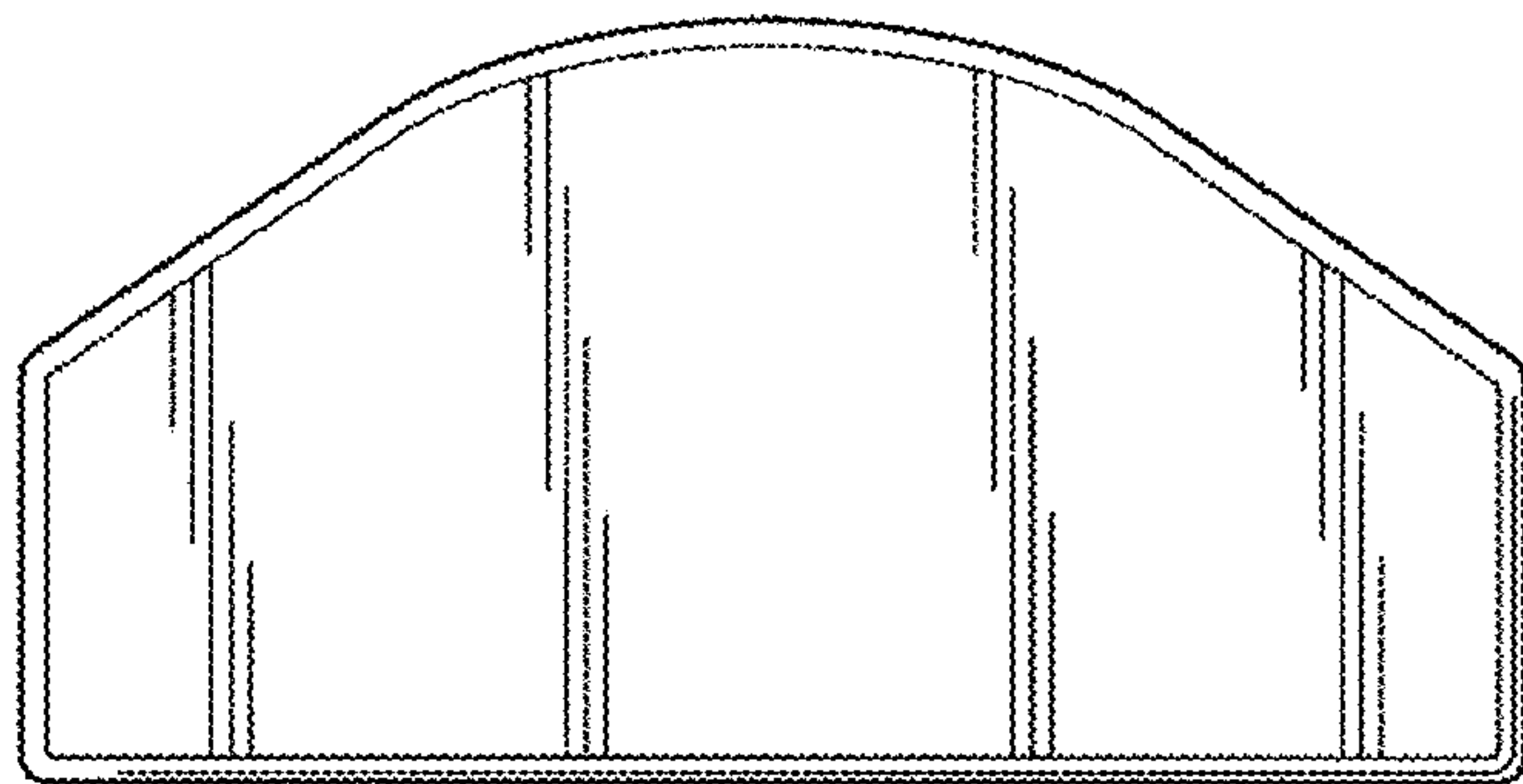


FIG. 8