



US00D885976S

(12) **United States Design Patent** (10) **Patent No.:** **US D885,976 S**  
**Jang** (45) **Date of Patent:** **\*\* Jun. 2, 2020**

- (54) **DRONE**
- (71) Applicant: **Suk Ho Jang**, Gwangmyeong-si (KR)
- (72) Inventor: **Suk Ho Jang**, Gwangmyeong-si (KR)
- (\*\*) Term: **15 Years**
- (21) Appl. No.: **29/661,742**
- (22) Filed: **Aug. 30, 2018**
- (30) **Foreign Application Priority Data**

Mar. 7, 2018 (KR) ..... 30-2018-0011001

- (51) **LOC (12) Cl.** ..... **12-01**
- (52) **U.S. Cl.**  
USPC ..... **D12/16.1**
- (58) **Field of Classification Search**  
USPC ..... D12/319-345, 16.1, 1-4, 415;  
D21/436-455; D14/218  
CPC ..... B64C 2201/146; B64C 2201/027; B64C  
2201/104; B64C 25/06; B64C 25/24;  
B64C 39/04; B64C 5/02  
See application file for complete search history.

(56) **References Cited**

**U.S. PATENT DOCUMENTS**

D139,424 S	*	11/1944	Bates	.....	D12/327
D172,112 S	*	5/1954	Shoemaker	.....	D12/325
D187,823 S	*	5/1960	Gassaway	.....	D12/325
D201,409 S	*	6/1965	Flett	.....	D12/325
D213,529 S	*	3/1969	Sherwood	.....	D12/325
D215,971 S	*	11/1969	Rosta	.....	D12/325
D218,365 S	*	8/1970	Sherwood	.....	D12/325
D225,464 S	*	12/1972	Alexander	.....	D12/325
D238,938 S	*	2/1976	Moller	.....	D12/325
D263,429 S	*	3/1982	Larrieu	.....	D21/390
D268,039 S	*	2/1983	Osborne	.....	D21/443
D276,740 S	*	12/1984	Stockvis	.....	D21/451
D307,131 S	*	4/1990	Kramer	.....	244/26

D307,884 S	*	5/1990	Ninkovich	.....	244/26
D309,887 S	*	8/1990	Ninkovich	.....	244/26
D312,067 S	*	11/1990	Walling	.....	D12/320
D312,103 S	*	11/1990	Lenox	.....	D21/443
D317,335 S	*	6/1991	Lovik	.....	D21/440
D320,378 S	*	10/1991	Webster	.....	D12/319
D326,873 S	*	6/1992	Chang	.....	D11/157
D330,226 S	*	10/1992	Rojas	.....	D21/444
D346,626 S	*	5/1994	St. Lawrence	.....	D21/443
D392,696 S	*	3/1998	Johnson	.....	D12/325
D406,617 S	*	3/1999	Schalasky	.....	D21/443
D417,896 S	*	12/1999	Eisner	.....	D21/451
D418,475 S	*	1/2000	Milde, Jr.	.....	D12/320
D430,530 S	*	9/2000	Milde, Jr.	.....	D12/320
D466,954 S	*	12/2002	Vodhanel, Jr.	.....	D21/443
D536,396 S	*	2/2007	Crane	.....	D21/444
7,407,132 B2	*	8/2008	Kirjavainen	.....	B64C 39/001 180/117
D583,293 S	*	12/2008	Frost	.....	D12/319
D624,132 S	*	9/2010	Cheng	.....	D21/451

(Continued)

*Primary Examiner* — Marissa J Cash  
(74) *Attorney, Agent, or Firm* — Novick, Kim & Lee,  
PLLC; Jae Youn Kim; Hyun Woo Shin

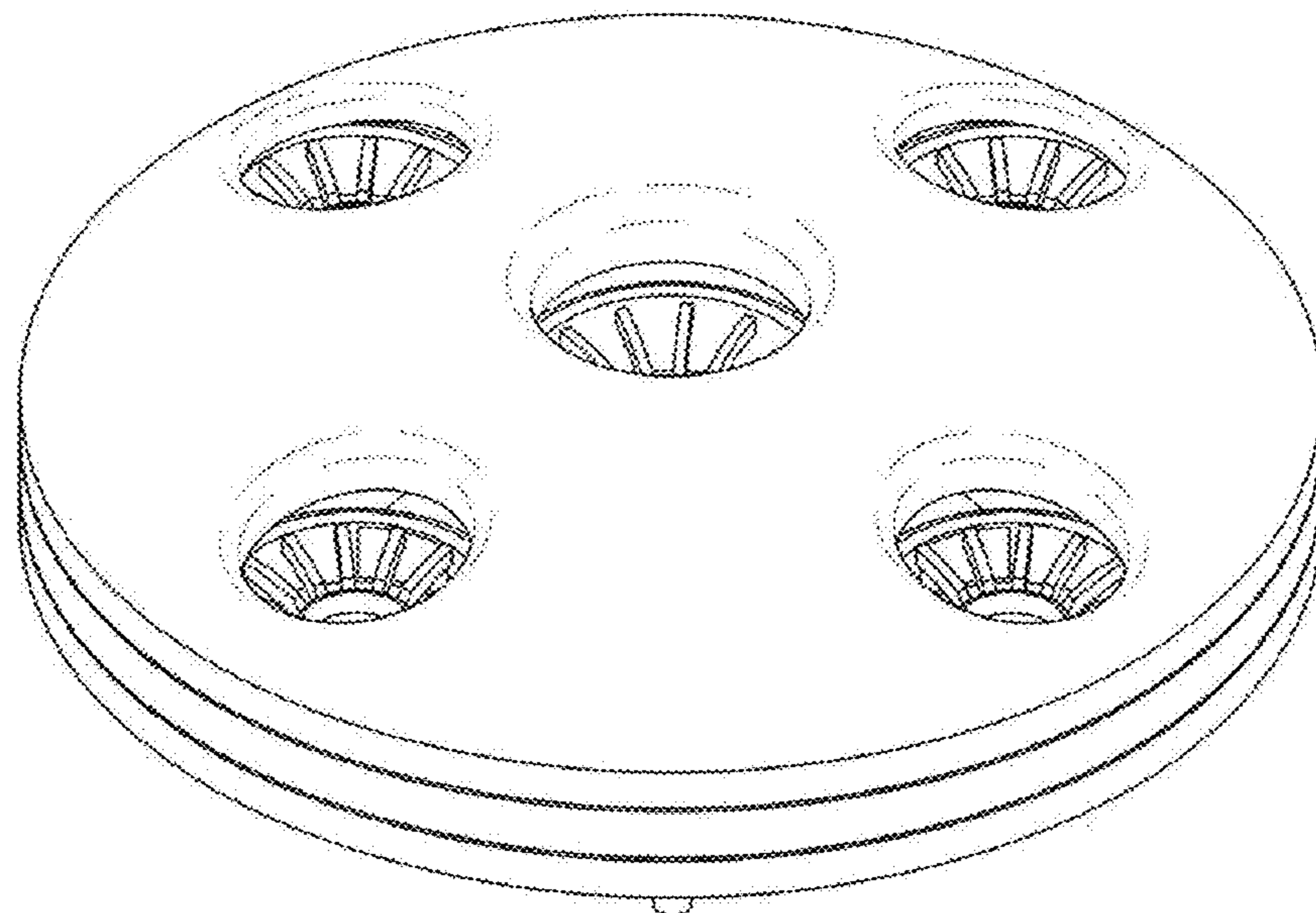
(57) **CLAIM**

I claim, the ornamental design for a drone, as shown and described.

**DESCRIPTION**

FIG. 1 is a perspective view of a drone, showing my new design;  
FIG. 2 is a front elevational view thereof;  
FIG. 3 is a rear elevational view thereof;  
FIG. 4 is a left side elevational view thereof;  
FIG. 5 is a right side elevational view thereof;  
FIG. 6 is a top plan view thereof; and,  
FIG. 7 is a bottom plan view thereof.  
The broken lines in the drawings show portions of the drone which form no part of the claimed design.

**1 Claim, 5 Drawing Sheets**



(56)

References Cited

U.S. PATENT DOCUMENTS

D640,756 S \* 6/2011 Busse ..... D21/390  
 D659,197 S \* 5/2012 Slone ..... D21/443  
 D667,893 S \* 9/2012 Smith ..... D21/451  
 D669,836 S \* 10/2012 Ordonez ..... D12/213  
 D725,028 S \* 3/2015 Kapitan ..... D12/323  
 D725,197 S \* 3/2015 Thompson ..... D21/443  
 D725,575 S \* 3/2015 Kapitan ..... D12/323  
 D725,714 S \* 3/2015 Kim ..... D21/443  
 D751,025 S \* 3/2016 Howell ..... D12/16.1  
 D761,690 S \* 7/2016 Friesmuth ..... D12/16.1  
 9,529,086 B2 \* 12/2016 Taoka ..... G01N 15/06  
 9,555,879 B1 \* 1/2017 Kaiser ..... B64D 35/06  
 D778,370 S \* 2/2017 Moore ..... D21/443  
 D780,665 S \* 3/2017 Blincow ..... D12/320  
 D798,795 S \* 10/2017 Fenny ..... D12/328  
 D808,329 S \* 1/2018 Parks ..... D12/328  
 9,896,196 B1 \* 2/2018 Kaiser ..... B64C 25/06  
 D813,315 S \* 3/2018 Sweeney ..... D21/443  
 D813,761 S \* 3/2018 Balaresque ..... D12/174  
 D815,580 S \* 4/2018 Kim ..... D12/325  
 D817,252 S \* 5/2018 Kim ..... D12/325  
 D821,264 S \* 6/2018 Choo ..... D12/16.1  
 D830,228 S \* 10/2018 Grassi ..... D12/16.1  
 D830,897 S \* 10/2018 Choi ..... D12/16.1  
 10,099,785 B1 \* 10/2018 Gonzalez ..... B64C 39/024

10,131,422 B2 \* 11/2018 Matsumoto ..... B64C 27/006  
 10,149,916 B2 \* 12/2018 Taoka ..... A61L 9/22  
 10,173,769 B2 \* 1/2019 Joniot ..... B64B 1/44  
 D846,437 S \* 4/2019 Kim ..... D12/16.1  
 D846,438 S \* 4/2019 Kim ..... D12/16.1  
 D846,442 S \* 4/2019 Kim ..... D12/16.1  
 D847,019 S \* 4/2019 Kim ..... D12/16.1  
 D847,021 S \* 4/2019 Kim ..... D12/16.1  
 D856,259 S \* 8/2019 Li ..... D12/328  
 D859,536 S \* 9/2019 Cope ..... D21/443  
 D860,332 S \* 9/2019 Cope ..... D21/443  
 2003/0122033 A1 \* 7/2003 Gao ..... B64C 27/20  
 244/12.2  
 2016/0200415 A1 \* 7/2016 Cooper ..... A63H 27/12  
 244/17.15  
 2016/0376031 A1 \* 12/2016 Michalski ..... B64C 39/024  
 701/15  
 2017/0029104 A1 \* 2/2017 Kim ..... B64C 39/02  
 2017/0123417 A1 \* 5/2017 Gil ..... G05D 1/0038  
 2017/0313441 A1 \* 11/2017 Tsai ..... B64C 39/024  
 2018/0044005 A1 \* 2/2018 Hayden, III ..... B64C 27/20  
 2018/0111684 A1 \* 4/2018 Namgoong ..... B64C 39/024  
 2018/0196418 A1 \* 7/2018 Meier ..... G05D 1/0225  
 2018/0244385 A1 \* 8/2018 Kim ..... B64C 39/024  
 2018/0259953 A1 \* 9/2018 Park ..... B64C 39/024  
 2019/0009893 A1 \* 1/2019 Toyama ..... B64D 45/00

\* cited by examiner

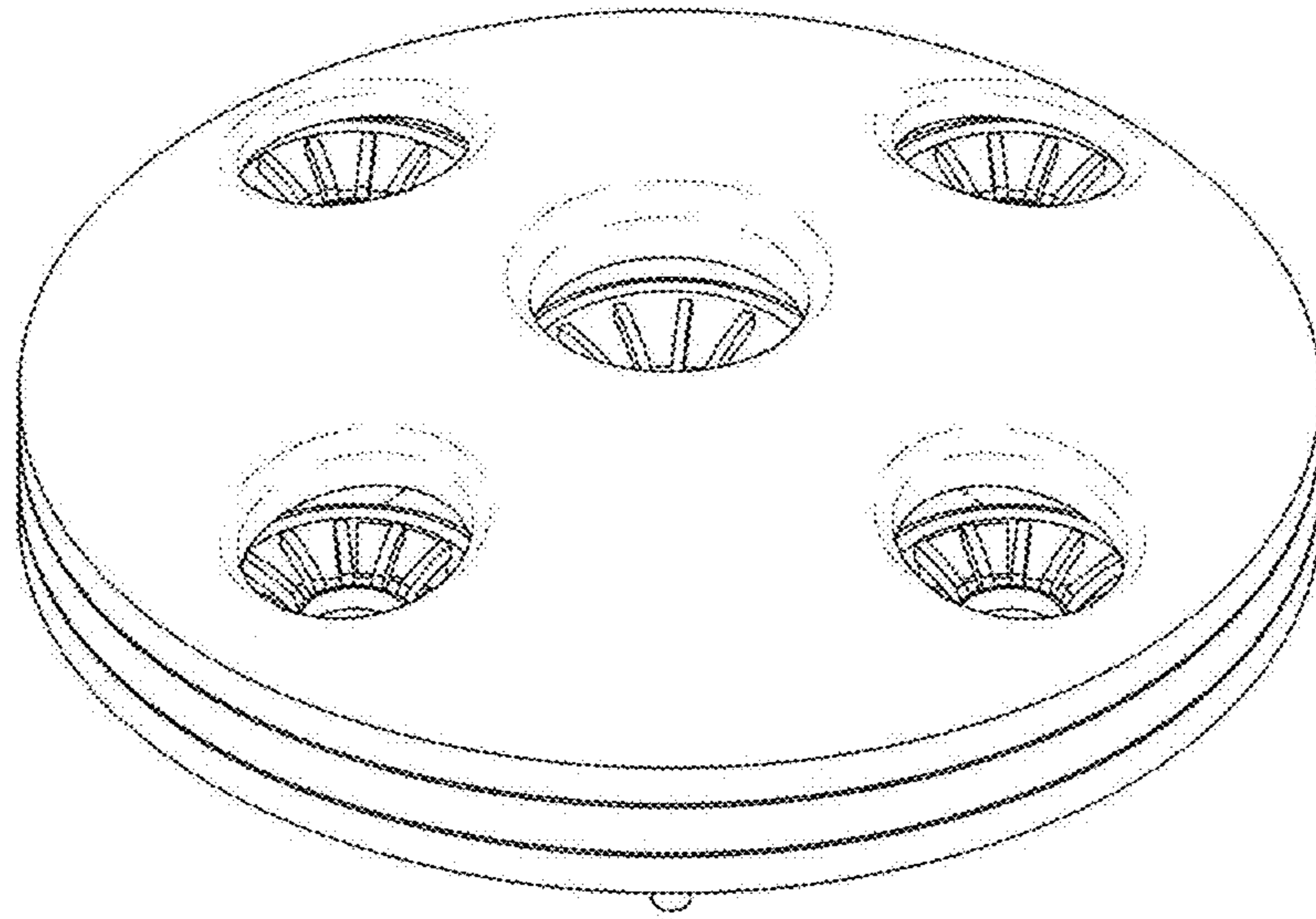


FIG. 1

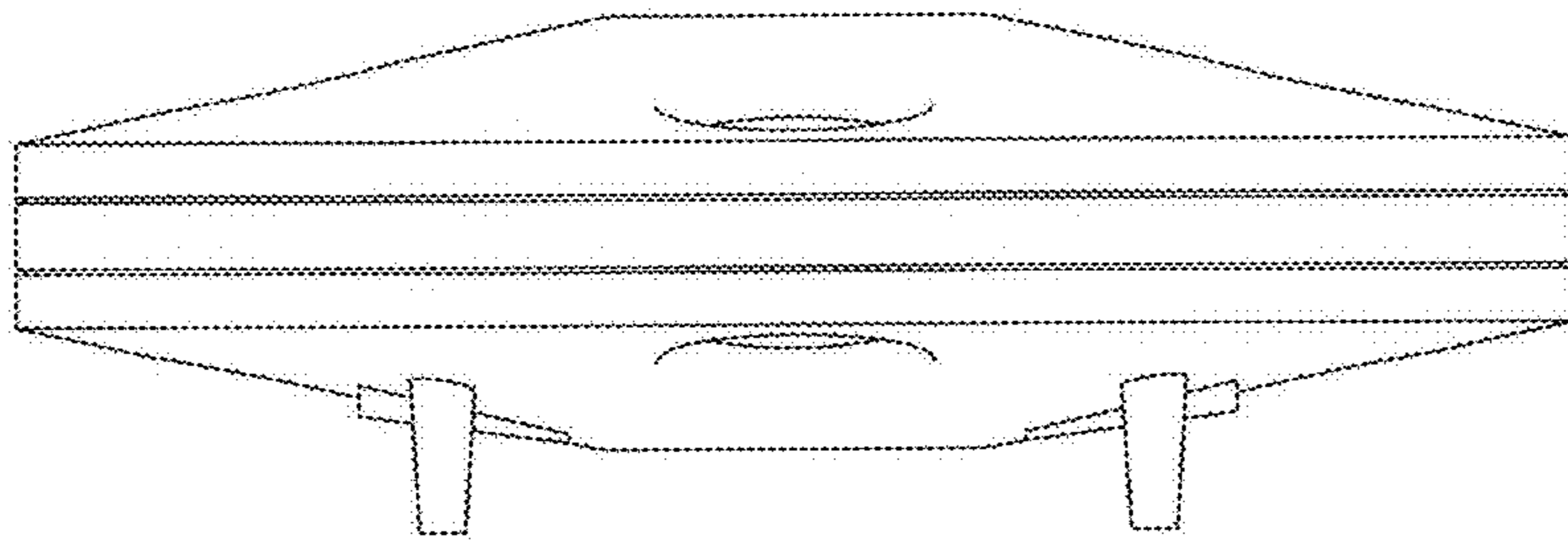


FIG. 2

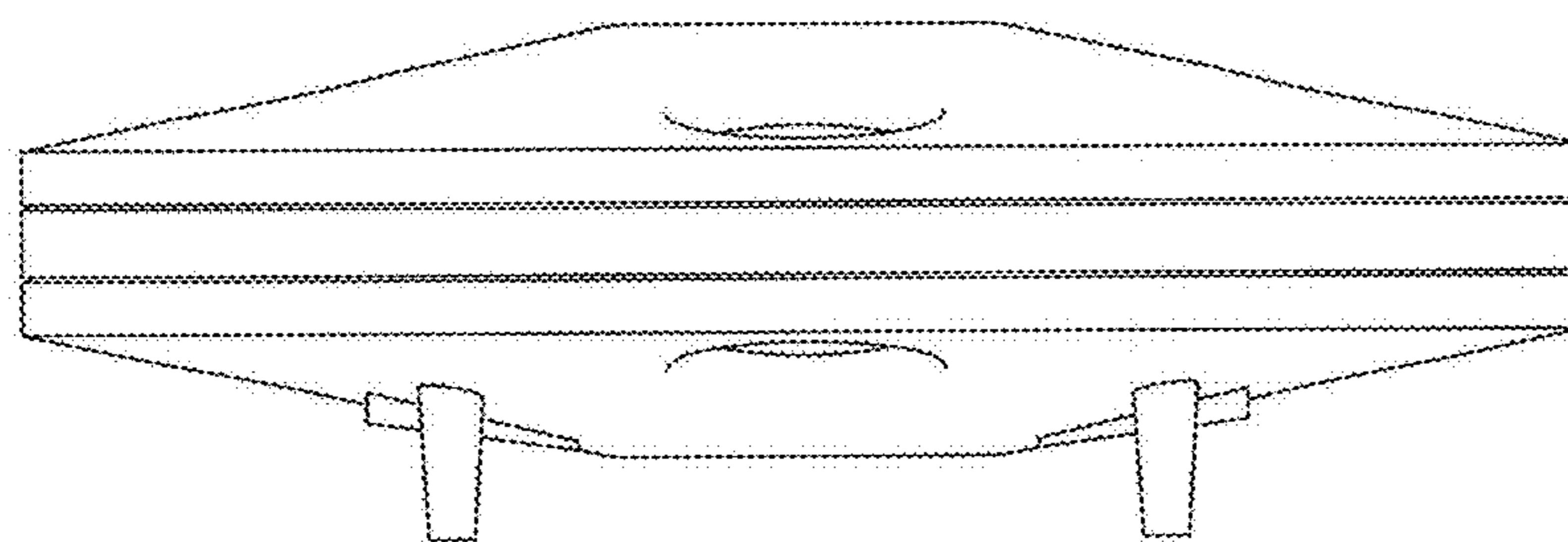


FIG. 3

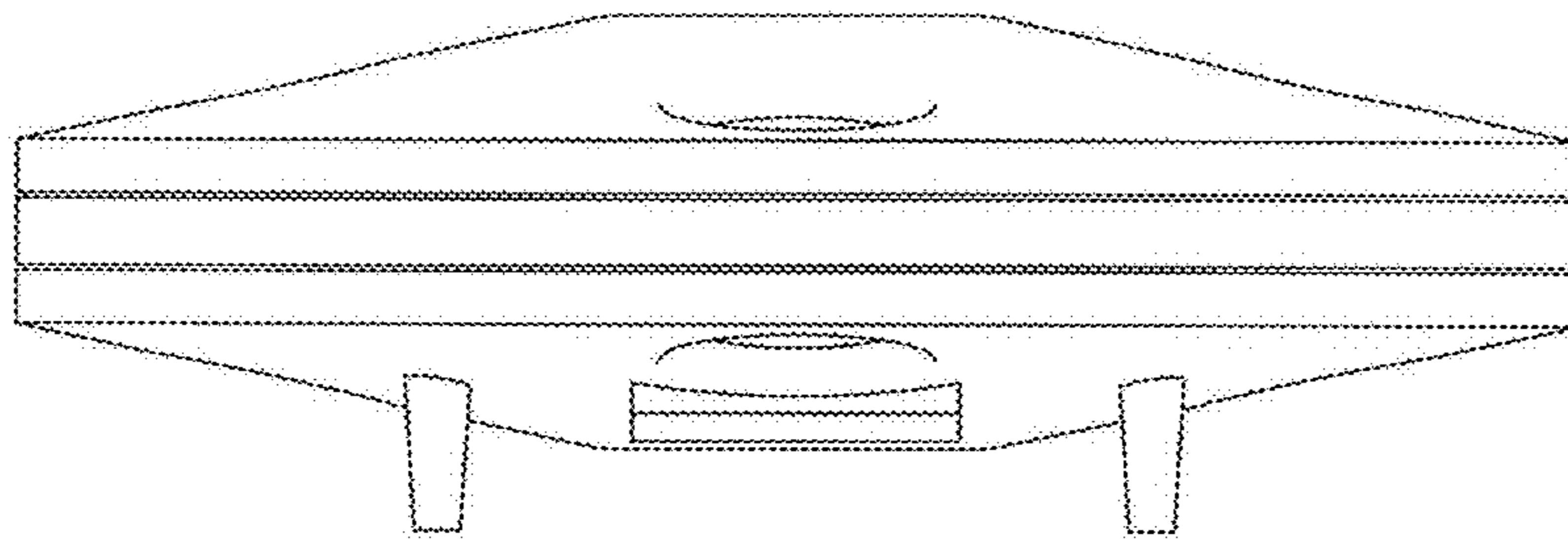


FIG. 4

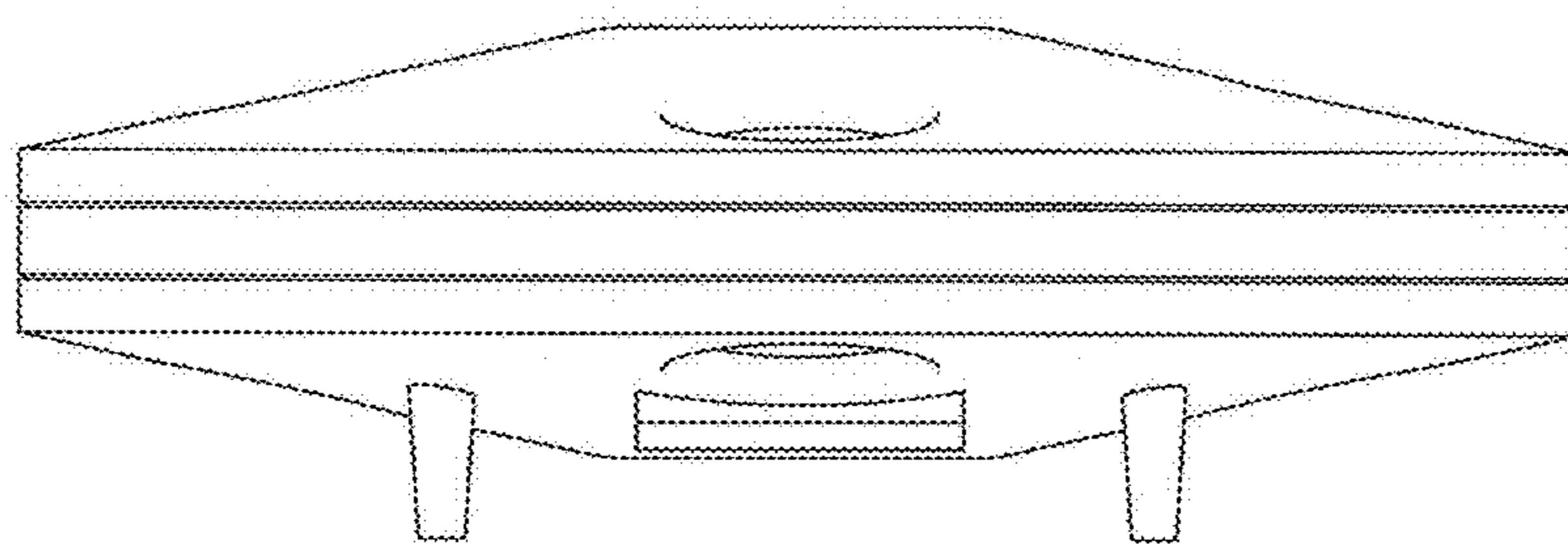


FIG. 5

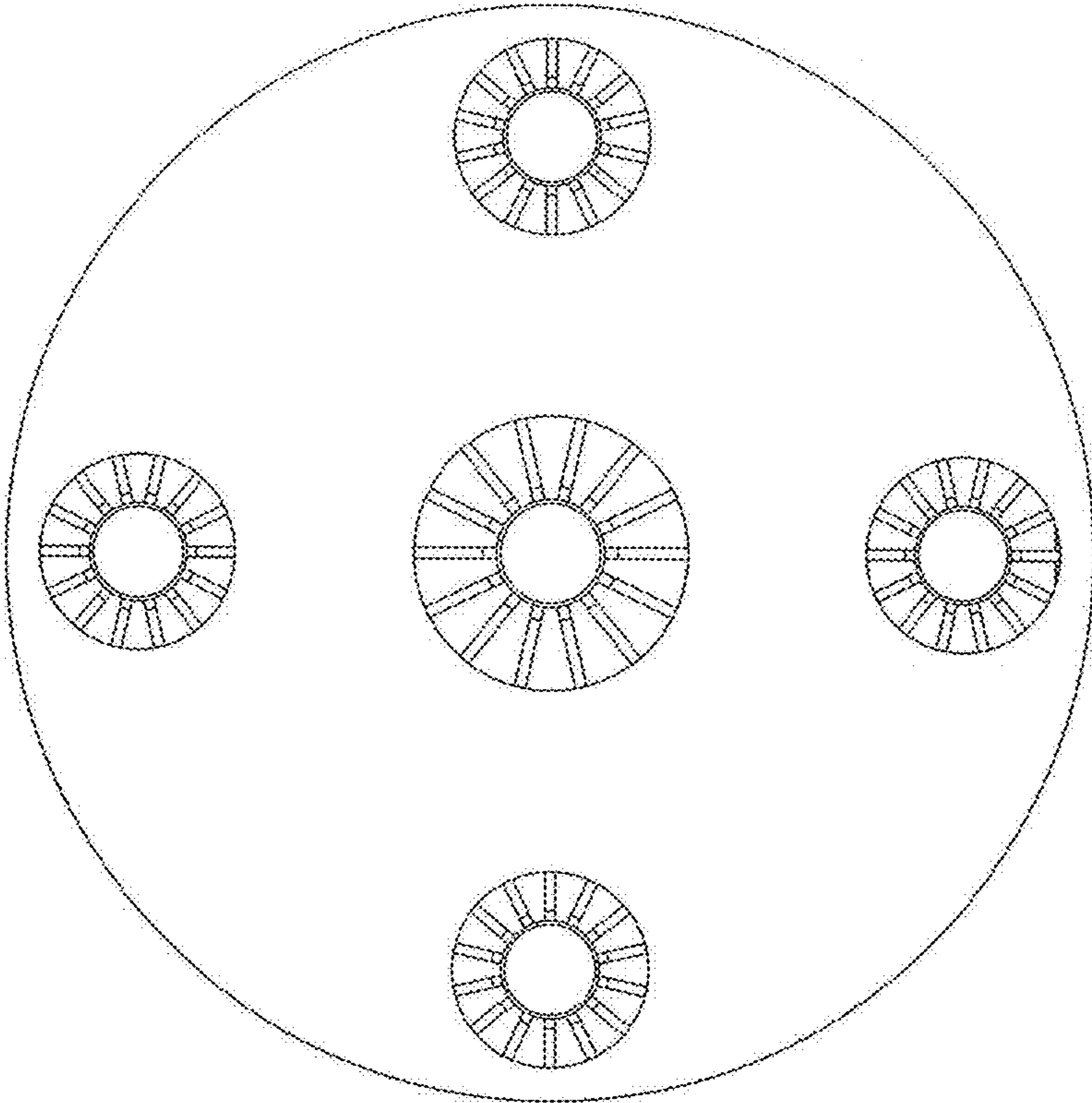


FIG. 6

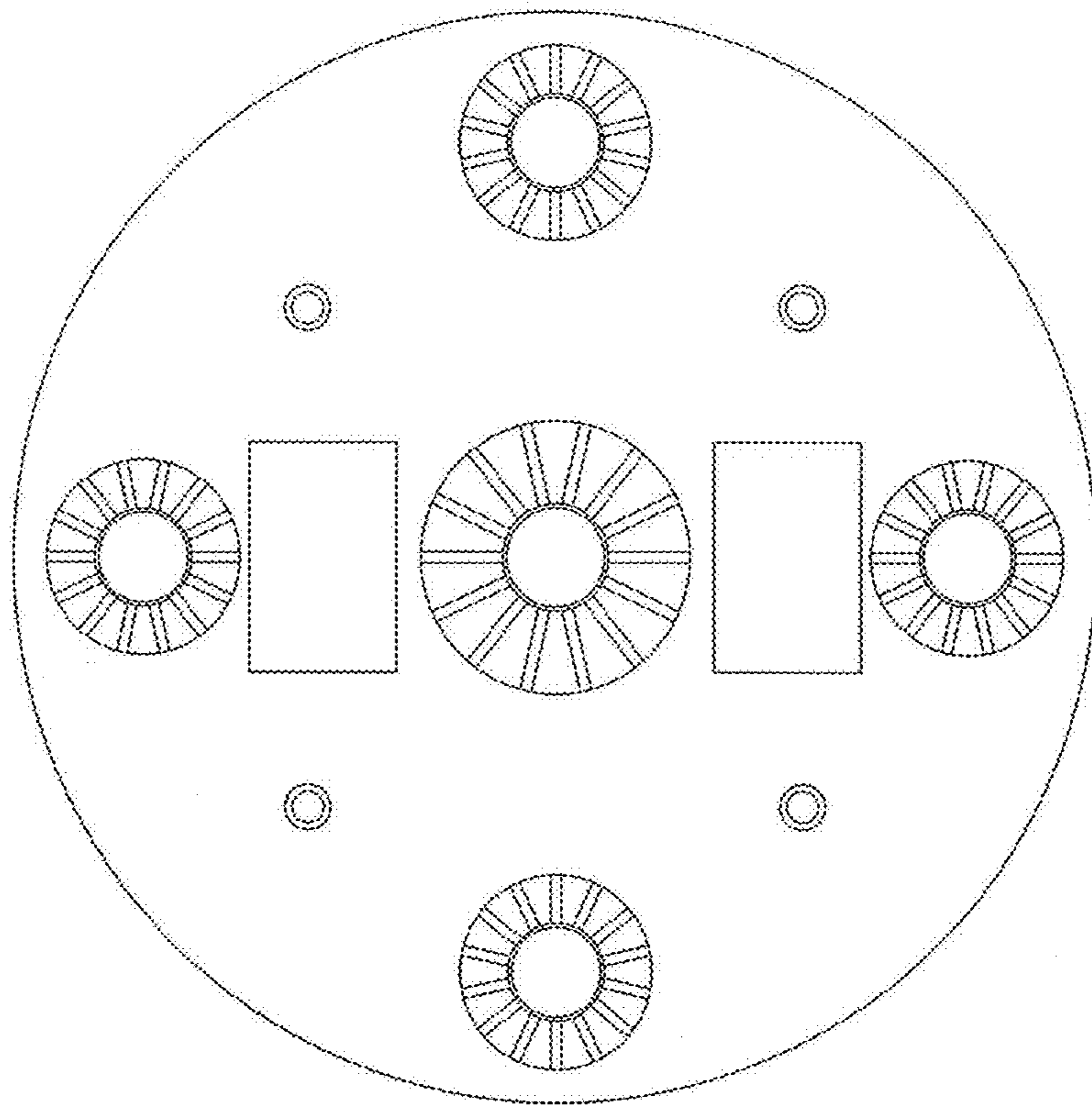


FIG. 7