



US00D885974S

(12) **United States Design Patent** (10) **Patent No.:** **US D885,974 S**
Al Attar (45) **Date of Patent:** **** Jun. 2, 2020**

(54) **AUTOMOBILE**
(71) Applicant: **Majid Al Attar**, Dubai (AE)
(72) Inventor: **Majid Al Attar**, Dubai (AE)
(73) Assignee: **Majid Al Attar**, Dubai (AE)
(**) Term: **15 Years**
(21) Appl. No.: **29/636,890**
(22) Filed: **Feb. 12, 2018**
(51) **LOC (12) Cl.** **12-13**
(52) **U.S. Cl.**
USPC **D12/12**
(58) **Field of Classification Search**
USPC D12/1, 12, 14, 15, 82, 85, 86, 128, 93;
D21/533, 548, 552
CPC F41H 5/20; F41H 7/04; F41H 5/26; F41H
5/013; F41H 7/02; F41H 5/18; F41H
5/14; F41H 7/00; F41H 7/03; F41H
7/048; F41H 7/042; F41H 7/044; F41H
5/00; F41H 5/023; F41H 5/06; F41H
5/16; B62D 63/025; B62D 63/04
See application file for complete search history.

(56) **References Cited**

U.S. PATENT DOCUMENTS

D256,225 S * 8/1980 Bauer D12/12
D270,526 S * 9/1983 Legueu D12/12
D282,729 S 2/1986 Lunn
D398,882 S 9/1998 Powell
D526,246 S * 8/2006 LeBlanc, Sr. D12/12
D527,689 S * 9/2006 LeBlanc, Sr. D12/12
D548,647 S * 8/2007 Green, Jr. D12/12
D552,507 S * 10/2007 Hammick D12/12
D552,513 S 10/2007 Castriota
D624,456 S 9/2010 Loeb
D743,844 S * 11/2015 Khoroushi D12/12
D760,119 S * 6/2016 Leyrikh D12/12
D760,120 S * 6/2016 Leyrikh D12/12

D790,397 S * 6/2017 Khoroushi D12/12
D791,018 S 7/2017 Mylenek et al.
D803,725 S 11/2017 Suzuki
D815,986 S * 4/2018 Zhang D12/91
D817,814 S 5/2018 Nurnberger et al.
D826,090 S 8/2018 Jin
D837,691 S * 1/2019 Guo D12/91
D873,713 S 1/2020 Attar
2008/0017426 A1 * 1/2008 Walters B60F 3/003
180/89.1
2012/0204711 A1 * 8/2012 Engleman F41H 5/007
89/36.02
2014/0260935 A1 * 9/2014 Kocher, Jr. F41H 7/042
89/36.02
2018/0058821 A1 * 3/2018 Kwiatkowski B60K 17/342

OTHER PUBLICATIONS

Design U.S. Appl. No. 29/559,918, filed Mar. 31, 2016, 68 pages.
Office Action issued for Design U.S. Appl. No. 29/636,883, dated
May 29, 2019, 15 pages.
Notice of Allowance issued for Design U.S. Appl. No. 29/636,883,
dated Sep. 26, 2019, 6 pages.

* cited by examiner

Primary Examiner — Ania Aman
(74) *Attorney, Agent, or Firm* — Sprinkle IP Law Group

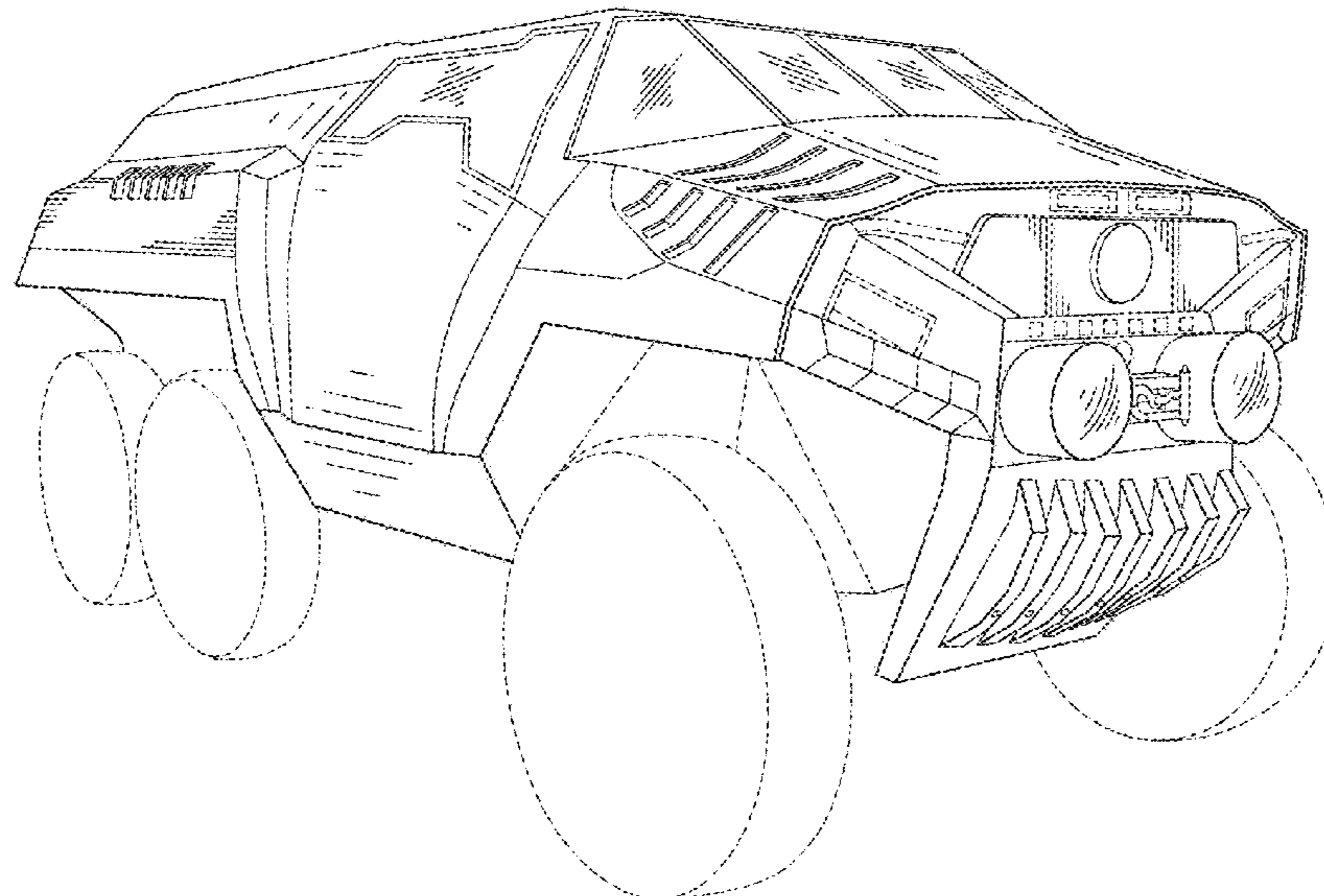
(57) **CLAIM**

The ornamental design for an automobile, as shown and
described.

DESCRIPTION

FIG. 1 is a front perspective view of a new automobile
design;
FIG. 2 is a front view thereof; and
FIG. 3 is a side view thereof; and,
FIG. 4 is a rear view thereof.
The broken lines in the drawings illustrate portions of the
automobile that form no part of the claimed design.

1 Claim, 4 Drawing Sheets



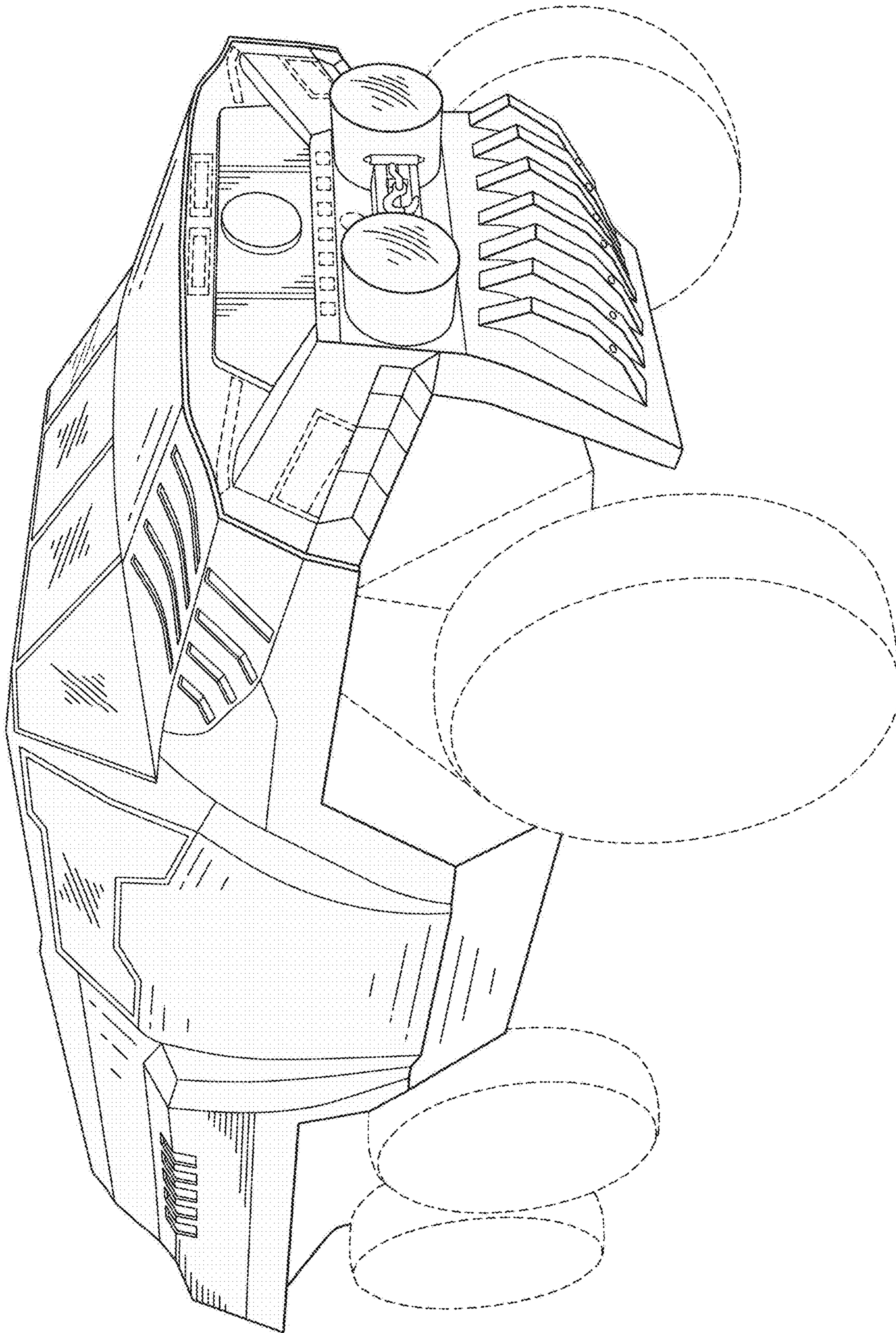


FIG. 1

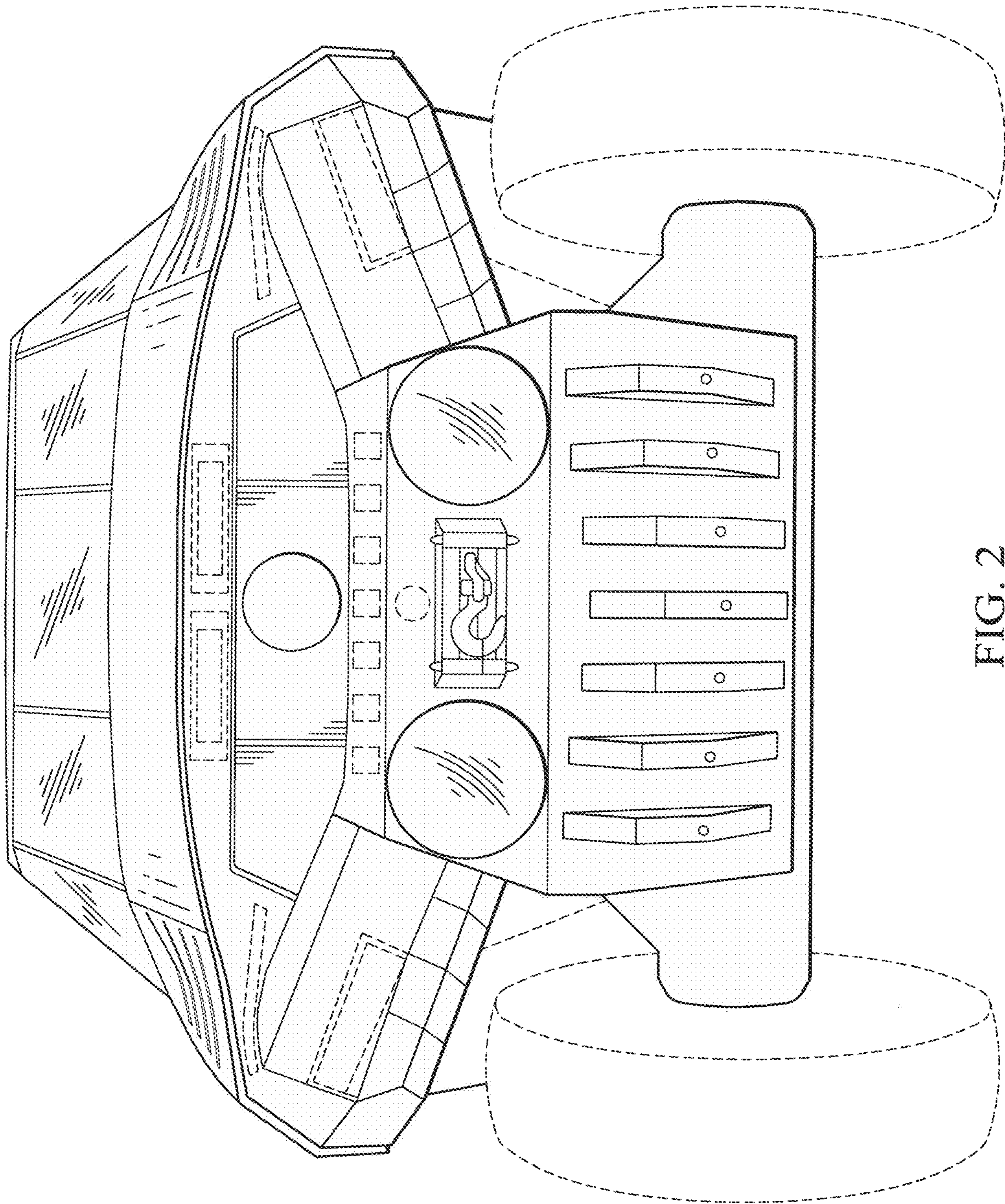


FIG. 2

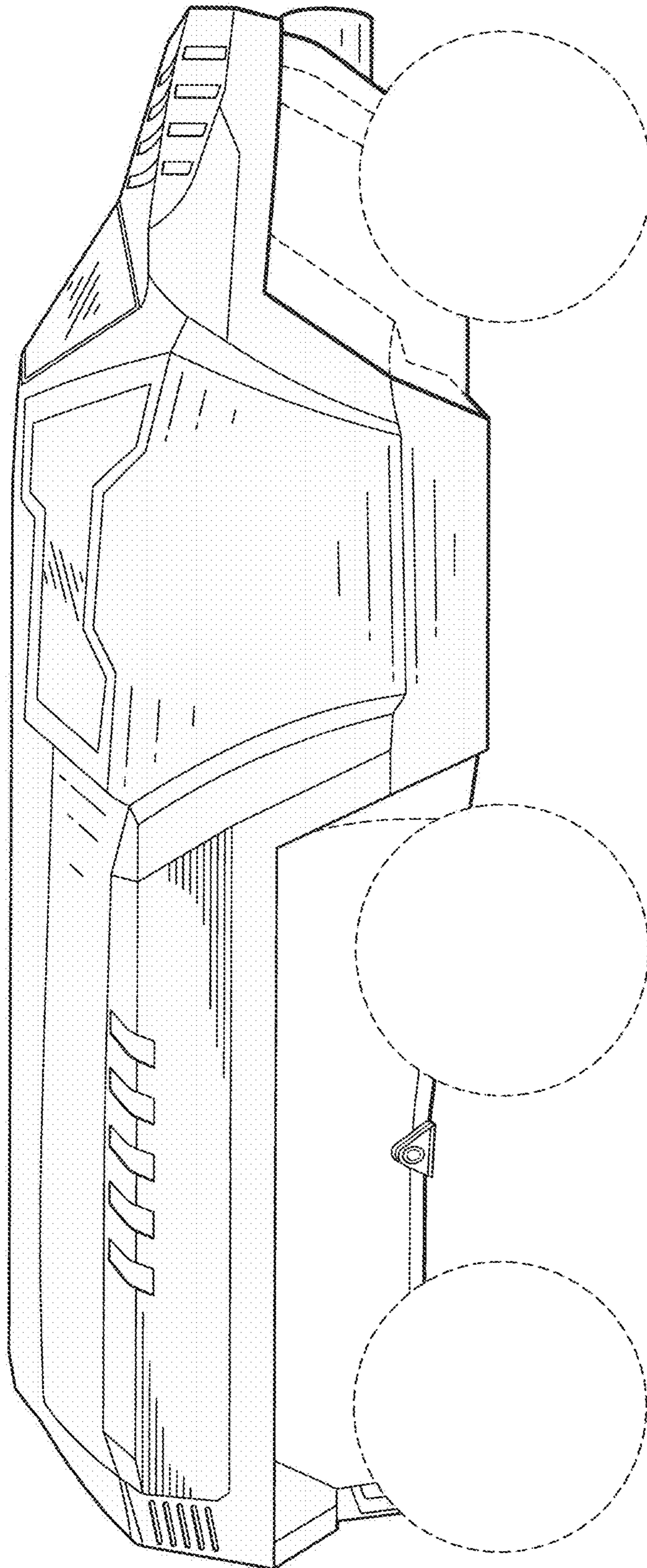


FIG. 3

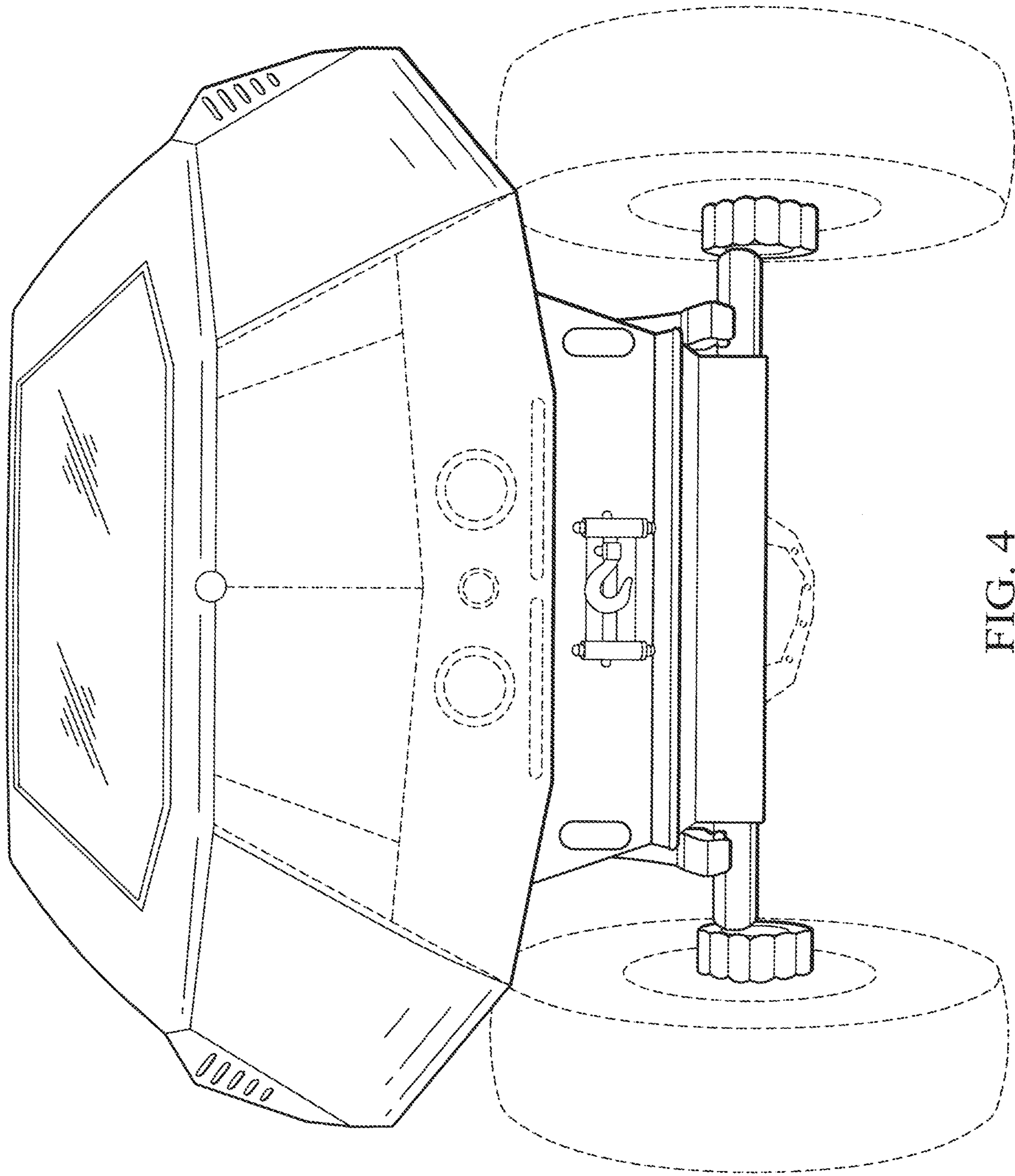


FIG. 4