



US00D885970S

(12) **United States Design Patent** (10) **Patent No.:** **US D885,970 S**
Swims et al. (45) **Date of Patent:** **** Jun. 2, 2020**

(54) **CLASP**
(71) Applicant: **Jack & Izzy, LLC**, Atlanta, GA (US)
(72) Inventors: **Teresa Kane Swims**, Atlanta, GA (US);
Meredith Van Houten, Atlanta, GA (US)

2,435,174 A 1/1948 Bell
2,442,698 A 6/1948 Lang
2,447,422 A 8/1948 Nelson
2,641,039 A 6/1953 Bissell
3,545,049 A 12/1970 Brueggeman
3,697,117 A * 10/1972 Larson B66C 1/422
294/106

(Continued)

(73) Assignee: **Jack & Izzy, LLC**, Atlanta, GA (US)

FOREIGN PATENT DOCUMENTS

(**) Term: **15 Years**

JP 3040251 8/1997
KR 101457458 11/2014

(21) Appl. No.: **29/693,189**

OTHER PUBLICATIONS

(22) Filed: **May 31, 2019**

(51) **LOC (12) Cl.** **02-07**

ISA/US, Int. Search Report and Written Opinion issued on PCT application No. US2017/050220, dated Nov. 16, 2017, 7 pgs.

(52) **U.S. Cl.**

USPC **D11/200**; D8/395

(Continued)

(58) **Field of Classification Search**

USPC D3/215, 239, 263, 265, 266; D8/383,
D8/394, 395; D11/1, 2, 3, 12, 16, 86, 87,
D11/93, 200, 201, 206-210, 212-218,
D11/229-237

Primary Examiner — Kevin K Rudzinski
Assistant Examiner — Richard Kearney
(74) *Attorney, Agent, or Firm* — Greenberg Traurig, LLP

CPC . A45F 5/00; A45F 5/004; A45F 5/006; A62B
35/00; A44B 11/06; A44B 11/22; G02C
11/00; G02C 11/02; G02C 3/006

(57) **CLAIM**

See application file for complete search history.

The ornamental design for a clasp, as shown and described.

(56) **References Cited**

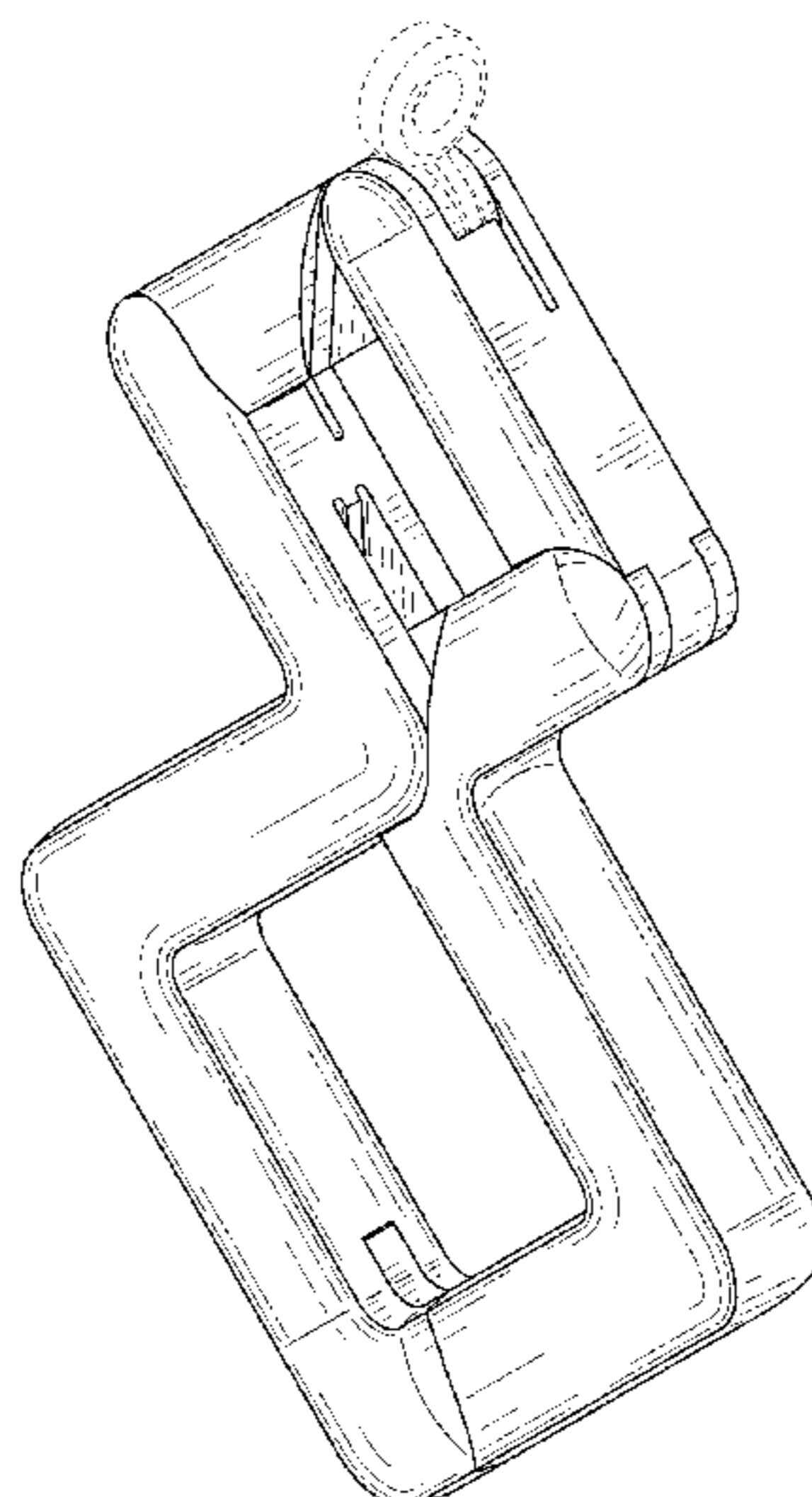
U.S. PATENT DOCUMENTS

DESCRIPTION

180,430 A 8/1876 Lambert
703,485 A 7/1902 Shedlock
1,387,230 A 8/1921 Brannigan
1,503,288 A 7/1924 Poole
1,507,706 A * 9/1924 Miller B63B 23/58
294/82.32
1,619,783 A 3/1927 Chase
1,767,720 A 6/1930 Treloar
1,780,880 A 11/1930 Johnson
1,849,020 A 3/1932 Allison
2,011,127 A * 8/1935 Tait A22C 15/005
452/193
2,031,484 A 2/1936 Inerrante
2,053,651 A 9/1936 Battin

FIG. 1 is perspective view of a clasp showing our new design;
FIG. 2 is a front view thereof, the back view being a mirror image thereof;
FIG. 3 is a left side view thereof;
FIG. 4 is a right side view thereof;
FIG. 5 is top plan view thereof; and,
FIG. 6 is a bottom plan view thereof.
The broken lines shown in the drawings illustrate portions of the clasp and form no part of the claimed design.

1 Claim, 4 Drawing Sheets



(56)

References Cited

U.S. PATENT DOCUMENTS

3,956,804 A 5/1976 Gatof et al.
 4,109,952 A * 8/1978 Monzain B65G 7/12
 294/118
 4,245,377 A 1/1981 Soltés
 4,324,025 A 4/1982 Apri
 D269,770 S 7/1983 Pittenger et al.
 4,441,746 A 4/1984 Corboy, Jr.
 4,452,481 A * 6/1984 Williams B66C 1/64
 294/118
 4,665,594 A 5/1987 Wagner
 4,678,220 A * 7/1987 Gabriel B66C 3/02
 294/110.1
 D295,268 S 4/1988 Riethmann
 4,778,211 A * 10/1988 Gabriel E02F 3/02
 294/115
 D390,496 S 2/1998 Olsen
 5,805,262 A 9/1998 Deveney
 5,860,191 A 1/1999 Sieger
 5,893,198 A 4/1999 Decotis
 D454,087 S 3/2002 Braner
 6,412,152 B1 7/2002 Ayliffe et al.
 6,533,414 B2 3/2003 Newler
 6,598,268 B1 7/2003 Zelman
 6,662,598 B2 12/2003 Meehan
 7,322,214 B2 1/2008 Ignatowski
 7,448,155 B2 11/2008 Dolas
 7,721,392 B2 5/2010 Avery
 7,850,302 B1 12/2010 Riazi
 D649,348 S * 11/2011 Murphy, Jr. D3/266
 D723,970 S 3/2015 Tomaselli
 D724,429 S * 3/2015 Weber, Sr. D9/434
 9,144,271 B2 9/2015 Tribelhorn
 9,341,203 B1 5/2016 Disharoon

D787,364 S 5/2017 Grange
 D801,211 S 10/2017 Tomaselli
 D824,283 S * 7/2018 Swims D11/200
 2005/0241115 A1 11/2005 Zoullas
 2006/0248688 A1 11/2006 Vermillion
 2007/0064196 A1 * 3/2007 Avery G02C 11/00
 351/112
 2010/0263170 A1 10/2010 Dollar, Sr.
 2011/0277276 A1 11/2011 Pucci
 2012/0184976 A1 7/2012 Nakamura
 2014/0320798 A1 * 10/2014 Tribelhorn G02C 3/04
 351/112
 2016/0025996 A1 1/2016 Bacon
 2016/0058137 A1 3/2016 Prestwidge
 2016/0215812 A1 7/2016 Durfee
 2017/0224068 A1 8/2017 Williams
 2018/0078022 A1 * 3/2018 Swims A45F 5/00

OTHER PUBLICATIONS

50/100Pcs Silver/Gold/Bronze Lobster Claw Clasps Hook, Ebay.com, [online], [site visited Dec. 4, 2017]. <URL: <https://www.ebay.com/i/281690755627?chn=ps>> (Year: 2017), 4 pgs.
 Clasps, FireMountainGems.com., [online], [site visited Dec. 4, 2017]. <URL: <http://www.firemountaingems.com/shop/clasps>> (Year: 2017), 2 pgs.
 Silver Plated Celtic Knot Toggle Clasp, SpoiltRottenBeads.co.uk, [online], [site visited Dec. 4, 2017]. <URL: <https://www.spoiltrottenbeads.co.uk/product-category/components-clasps-toggles-silver-clasps-toggles/>> (Year: 2017), 1 pg.
 11x5mm Sterling Silver Lobster, GemPacked.com, [online], [site visited Dec. 4, 2017]. <URL: <https://www.gempacked.com/findings-jewelry-components-and-parts-3/clasps-sterling-silver-gold-filled-and-more-16/lobster-clasps-and-trigger-clasps-160/>> (Year: 2017), 2pgs.

* cited by examiner

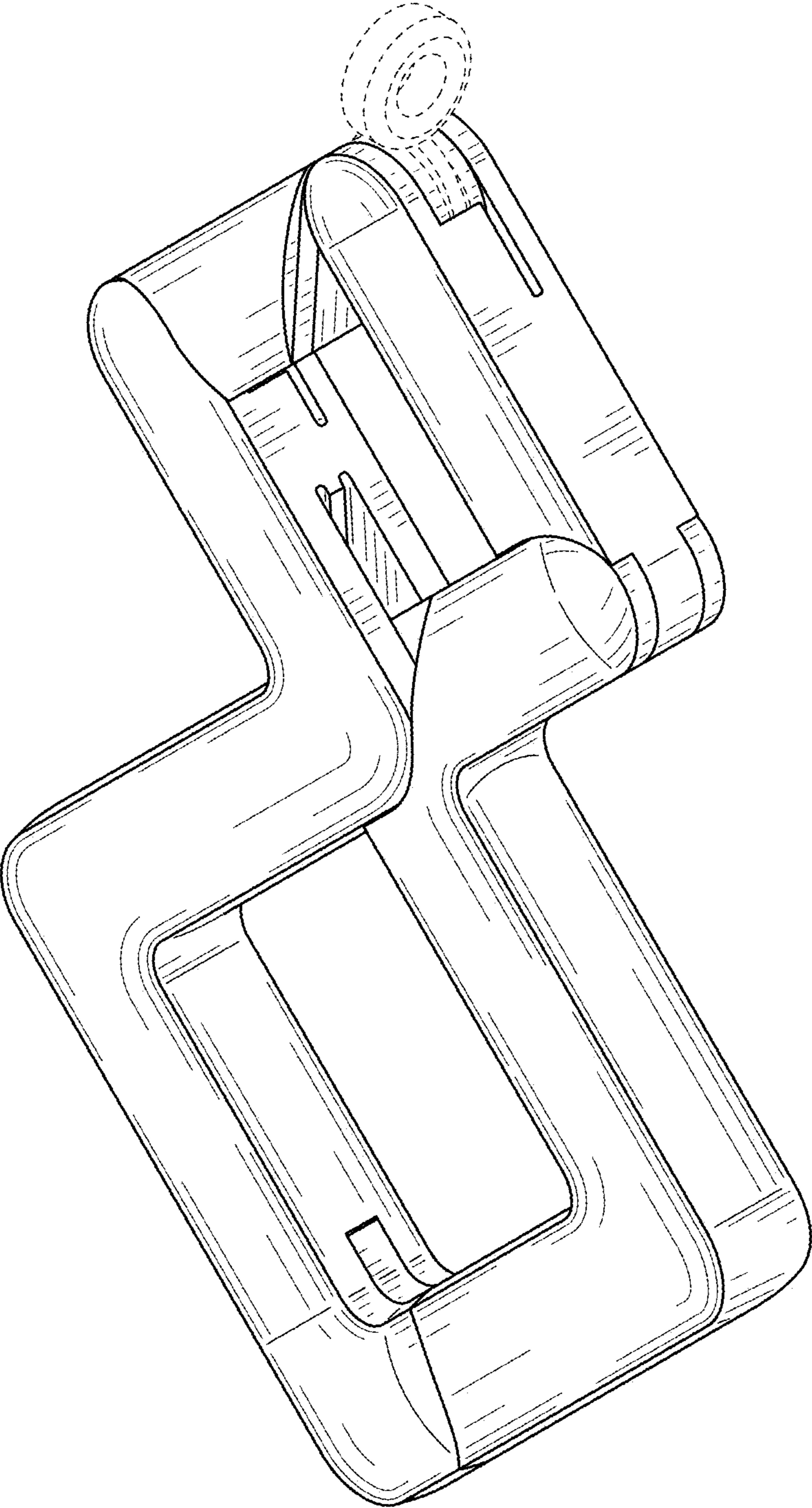


FIG. 1

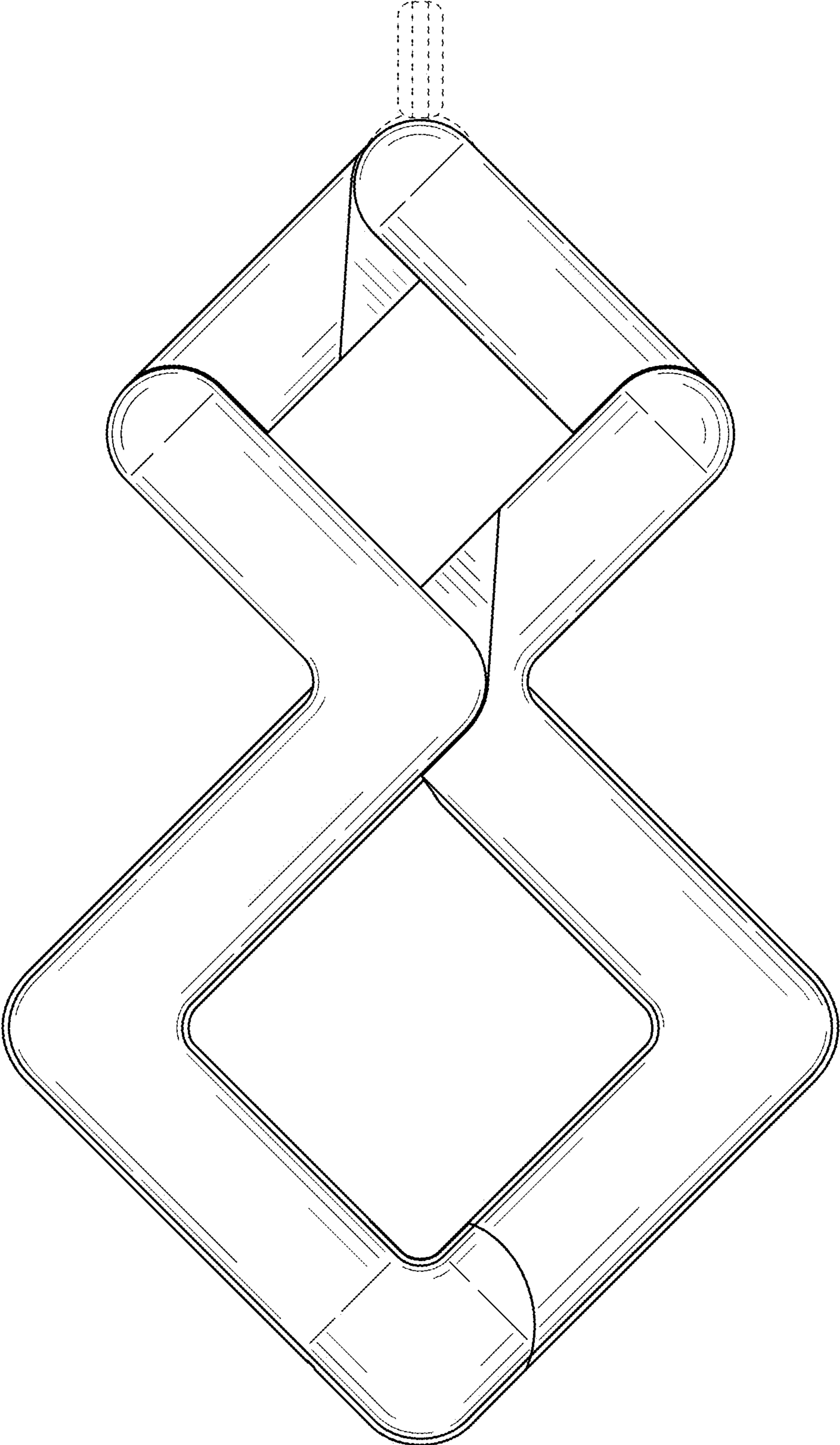


FIG. 2

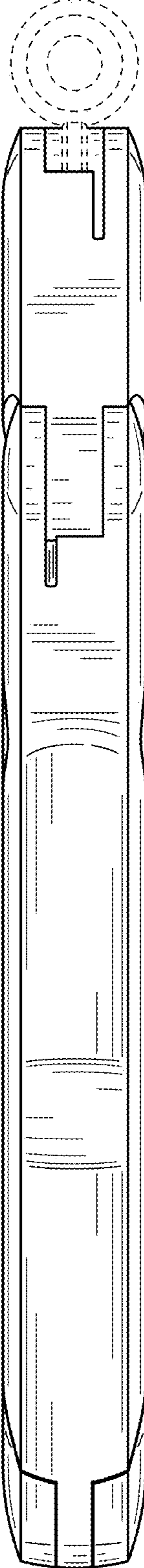


FIG. 3

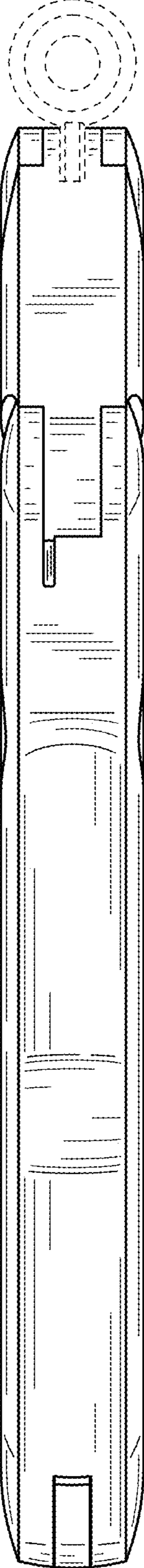


FIG. 4

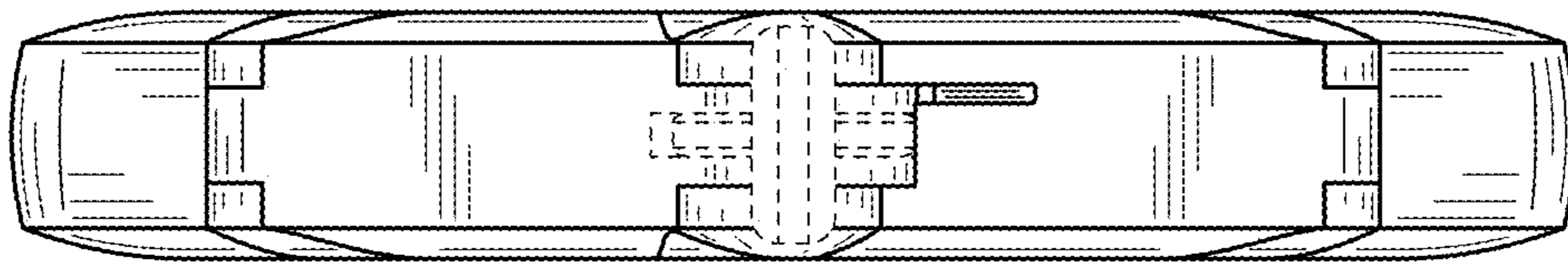


FIG. 5

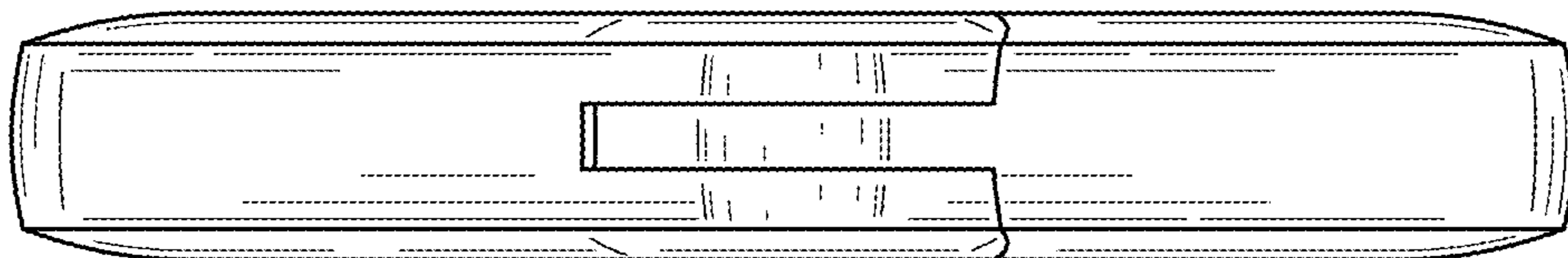


FIG. 6