



US00D885969S

(12) **United States Design Patent**
Zhang

(10) **Patent No.:** **US D885,969 S**
(45) **Date of Patent:** **** Jun. 2, 2020**

- (54) **FLOWER POT HOLDER**
- (71) Applicant: **Jianfei Zhang**, Zhejiang (CN)
- (72) Inventor: **Jianfei Zhang**, Zhejiang (CN)
- (73) Assignee: **Vingbo Yinzhou Leiyong International Trade Co., Ltd.**, Ningbo, Zhejiang (CN)
- (**) Term: **15 Years**
- (21) Appl. No.: **29/661,038**
- (22) Filed: **Aug. 24, 2018**
- (51) **LOC (12) Cl.** **11-02**
- (52) **U.S. Cl.**
USPC **D11/155**
- (58) **Field of Classification Search**
USPC D11/143–156, 164; D3/304, 307, 315;
D6/691.6, 692.4, 403–405, 556–558;
D7/509, 554.3; D34/5
CPC . A47G 7/02; A47G 7/04; A47G 7/041; A47G
7/042; A47G 7/044; A47G 7/045; A47G
7/047; A47G 7/06; A47G 7/063; A47G
7/08; A47G 2007/048; A01G 2009/003;
A01G 9/02; A01G 9/021; A01G 9/022;
A01G 9/026; A01G 9/028; A01G 9/029;
A01G 9/0293; A01G 9/0299; A01G
9/033; A01G 9/04; A01G 9/045; A01G
9/047
See application file for complete search history.

(56) **References Cited**

U.S. PATENT DOCUMENTS

- 3,734,341 A * 5/1973 Levenhagen B65D 21/045
206/507
- D298,073 S * 10/1988 Johnson D34/1
- D326,746 S * 6/1992 Adams D34/1
- D420,187 S * 2/2000 Houry D34/12
- D481,885 S * 11/2003 Sellers D6/403

- D503,059 S * 3/2005 Post D3/306
- D503,562 S * 4/2005 Sellers D6/403
- D555,389 S * 11/2007 Kershaw D6/403
- D564,251 S * 3/2008 Doyle D6/403
- D569,303 S * 5/2008 Kurtz D11/155
- D571,688 S * 6/2008 White D11/155
- D611,709 S * 3/2010 Ceravolo D3/304
- D625,649 S * 10/2010 Rooney D11/146
- D627,257 S * 11/2010 Blevins D11/155
- D708,017 S * 7/2014 Carlson D7/602
- D717,122 S * 11/2014 Carlson D7/602
- D775,827 S * 1/2017 Wang D3/304
- 9,572,306 B2 * 2/2017 Chiang A01G 9/028
- D825,923 S * 8/2018 Suomela D3/304
- 2005/0155902 A1 * 7/2005 Rooney B65D 25/205
206/575

(Continued)

Primary Examiner — Elizabeth A. Albert

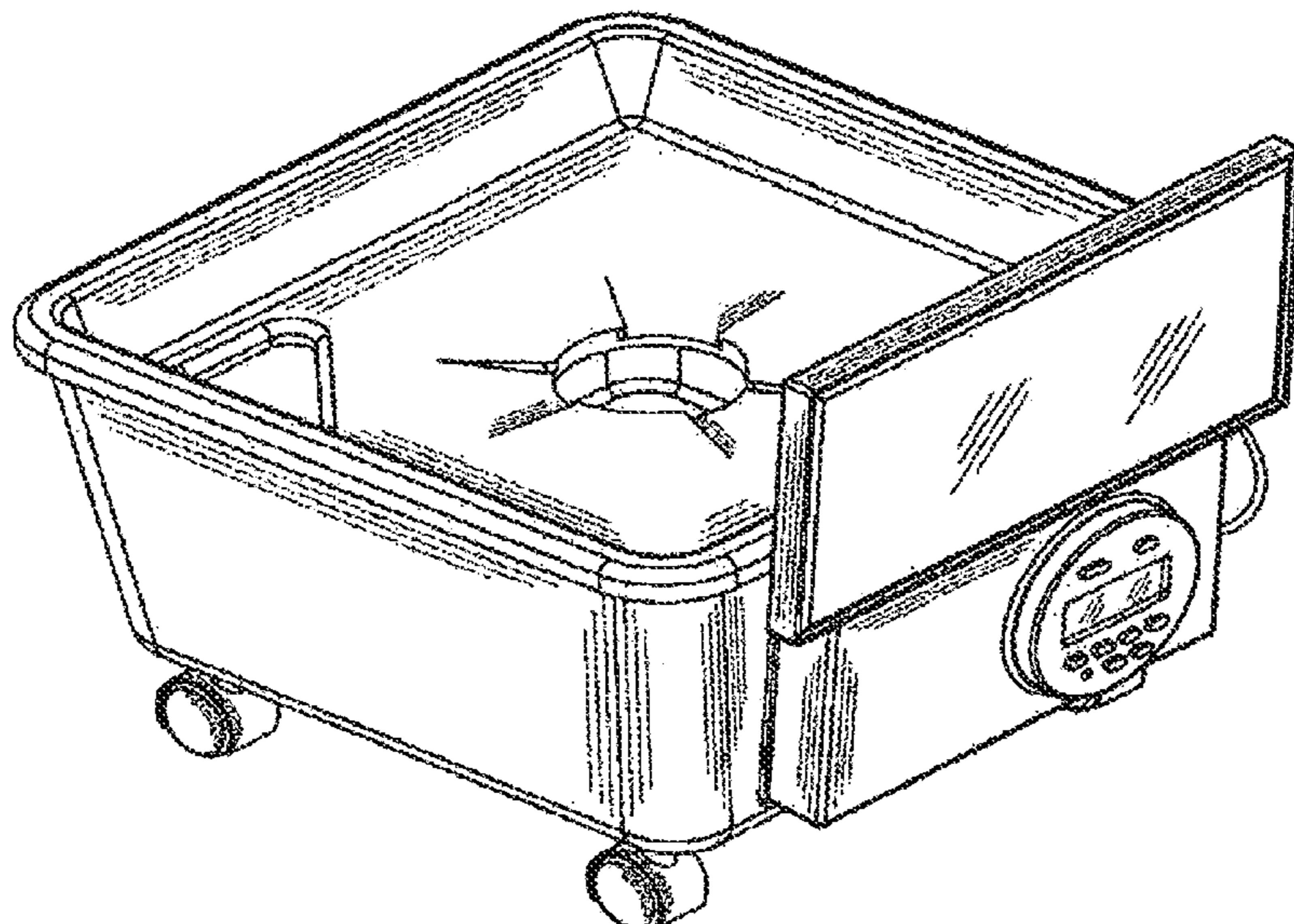
(57) **CLAIM**

The ornamental design for a flower pot holder, as shown and described.

DESCRIPTION

FIG. 1 is a perspective view of a flower pot holder showing my new design;
 FIG. 2 is a front elevational view thereof;
 FIG. 3 is a rear elevational view thereof;
 FIG. 4 is a left side elevational view thereof;
 FIG. 5 is a right side elevational view thereof;
 FIG. 6 is a top plan view thereof;
 FIG. 7 is a bottom plan view thereof;
 FIG. 8 is a perspective view of a flower pot holder, with a flower pot above it;
 FIG. 9 is a perspective view of a flower pot holder, with a flower pot above it and a tester in the flower pot; and,
 FIG. 10 is an exploded view of FIG. 9.
 The broken lines in the drawings are for the purpose of illustrating portions of the flower pot holder that form no part of the claimed design.

1 Claim, 10 Drawing Sheets



(56)

References Cited

U.S. PATENT DOCUMENTS

2014/0190079 A1* 7/2014 Neola A01G 31/02
47/62 R
2018/0242533 A1* 8/2018 Quinlan A01G 9/021

* cited by examiner

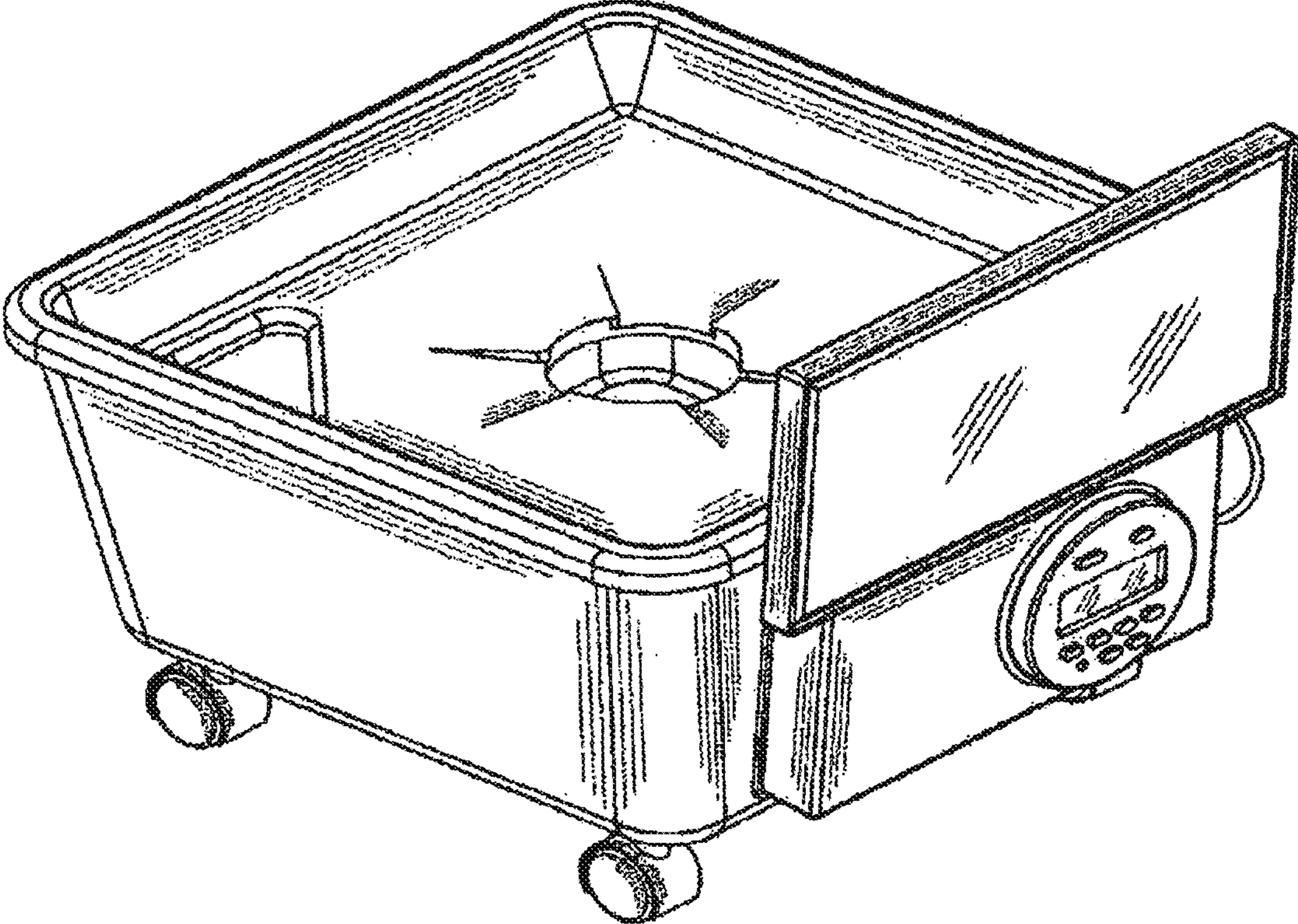


FIG. 1

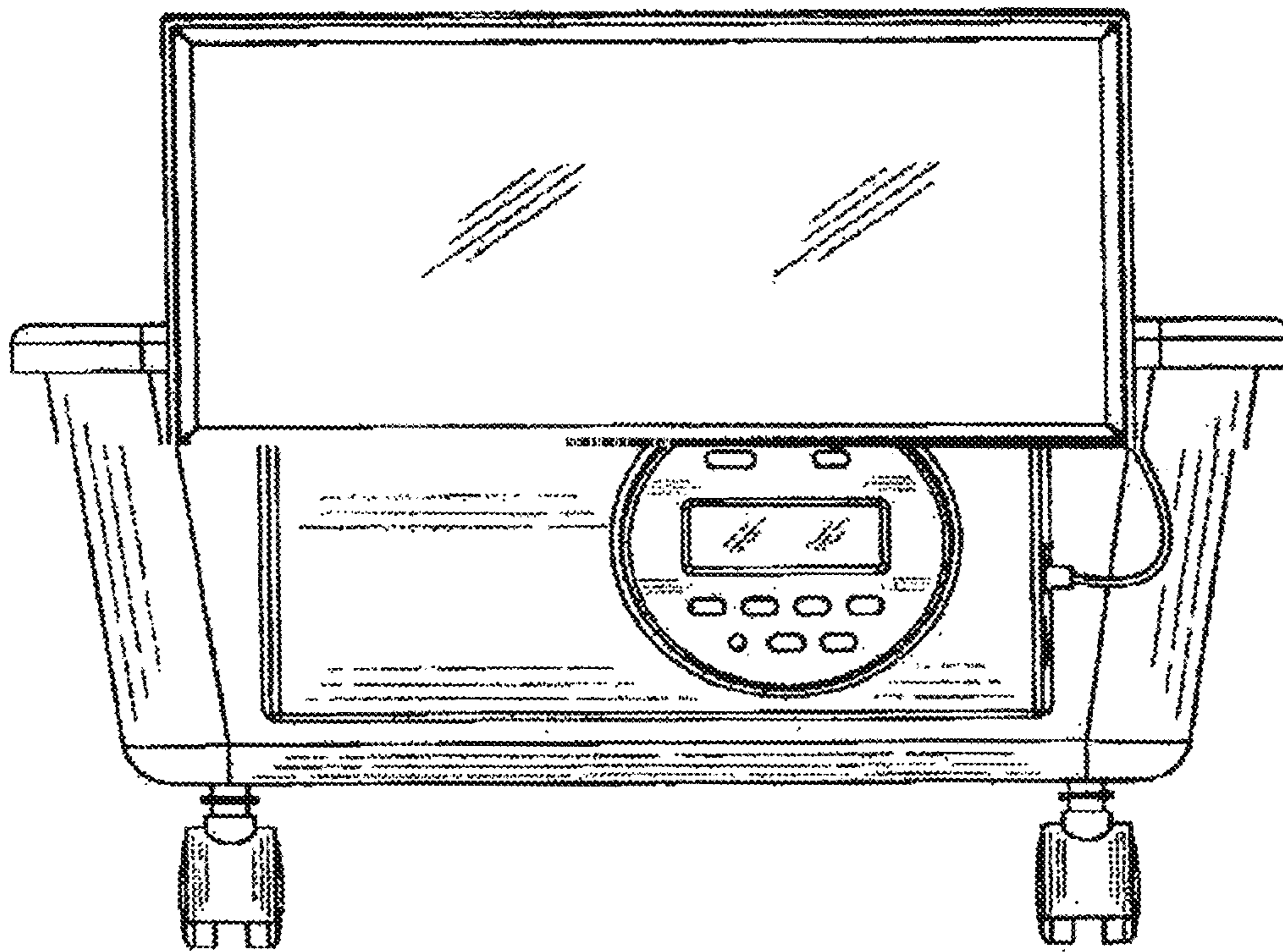


FIG. 2

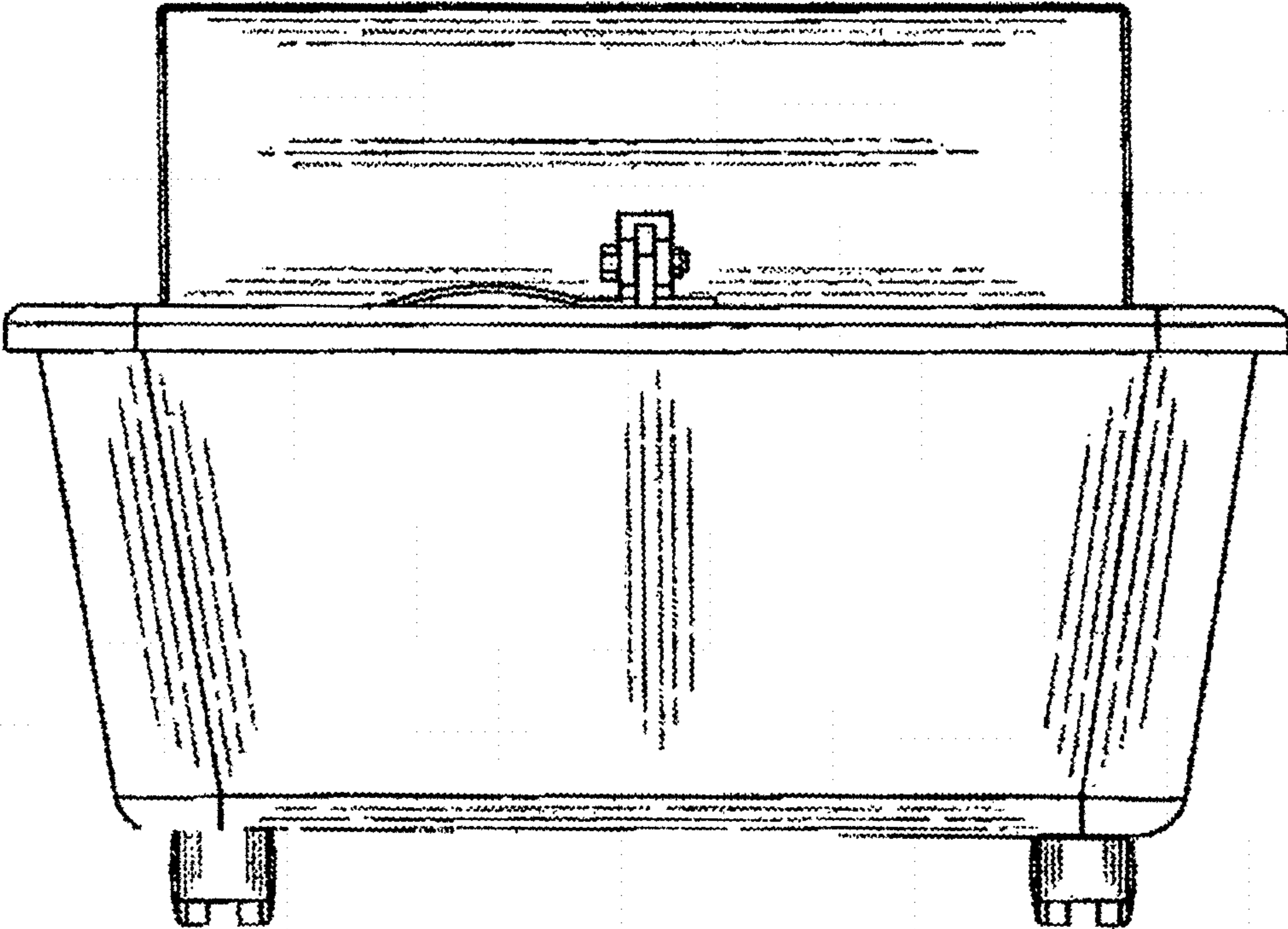


FIG. 3

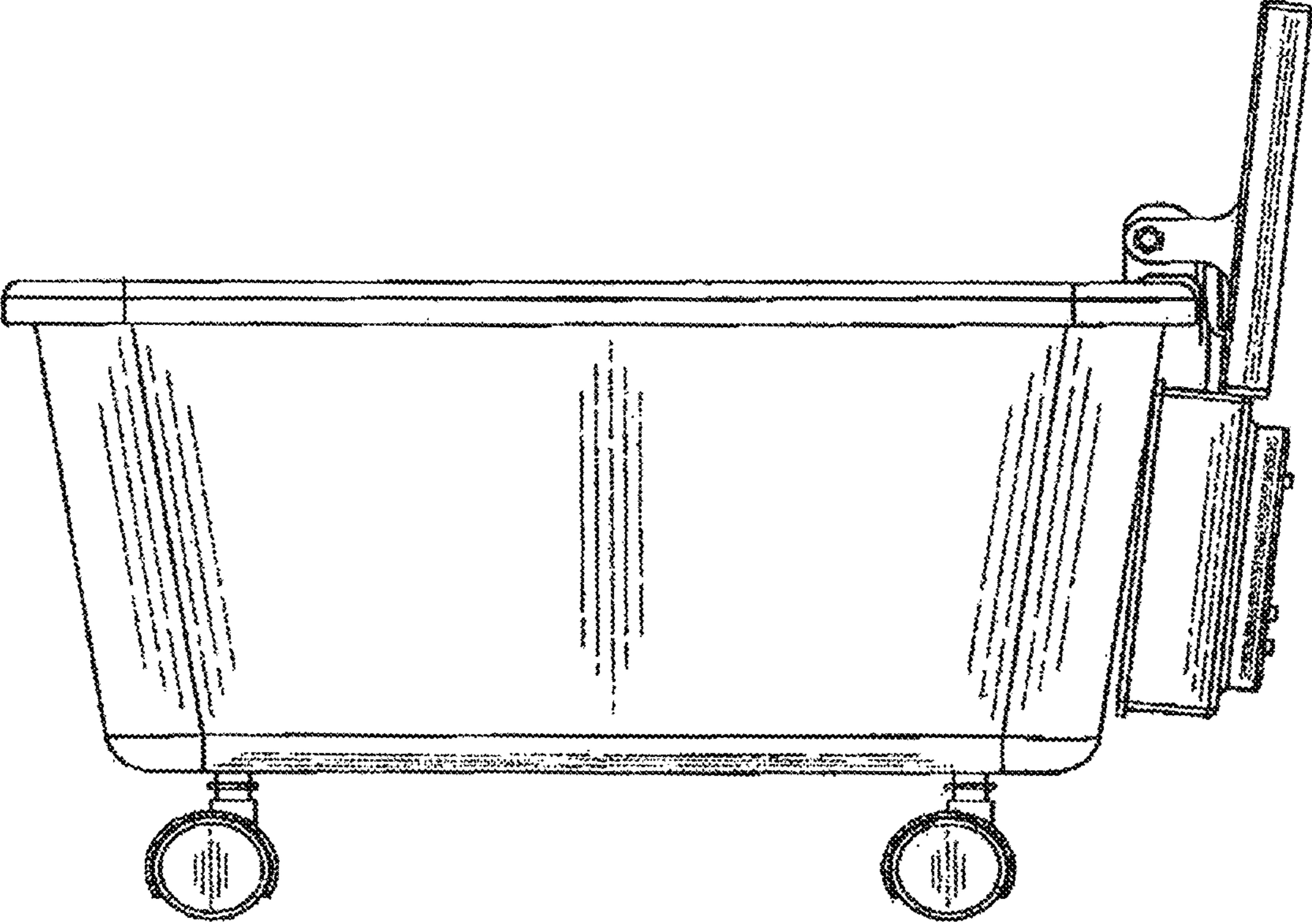


FIG. 4

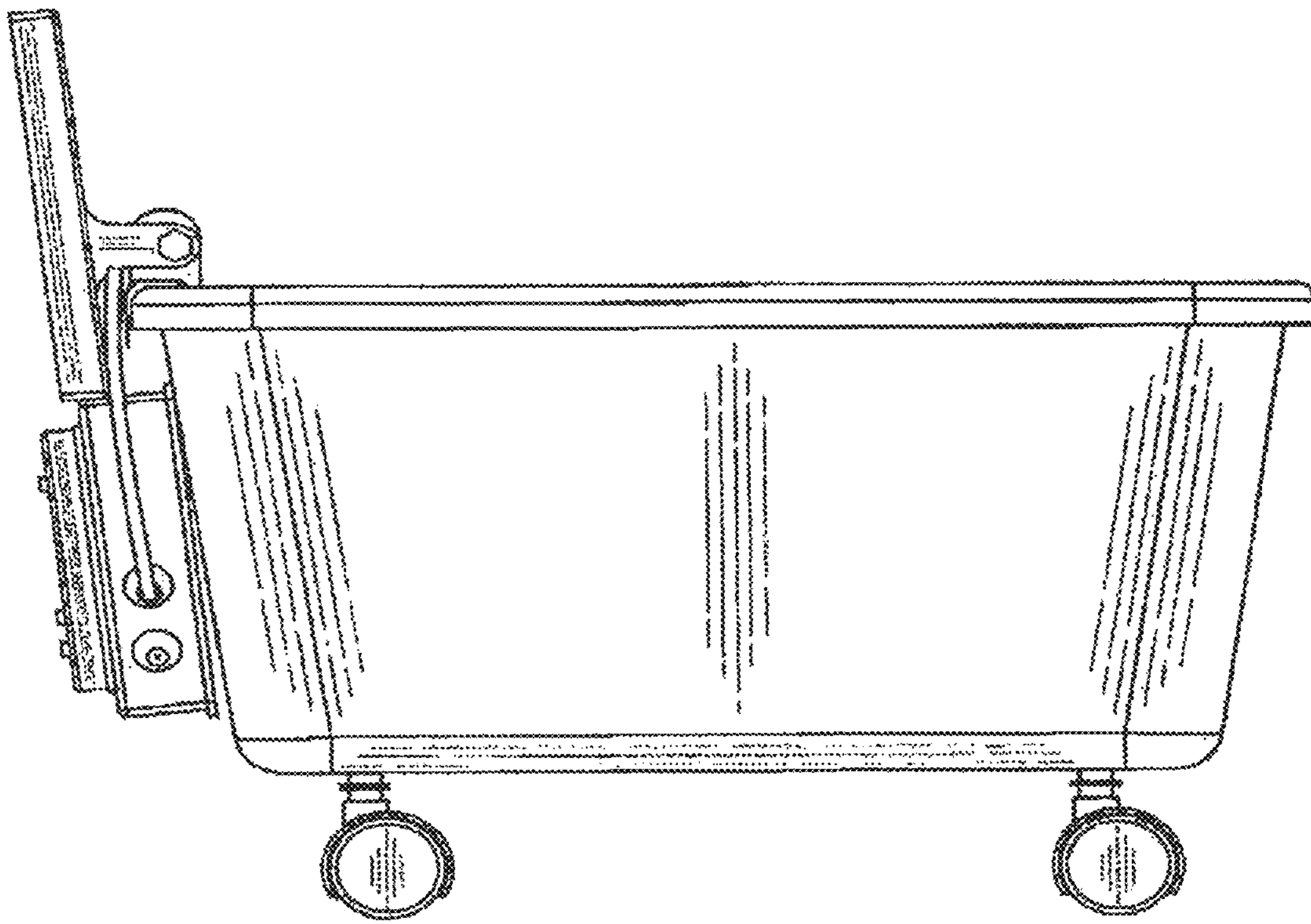


FIG. 5

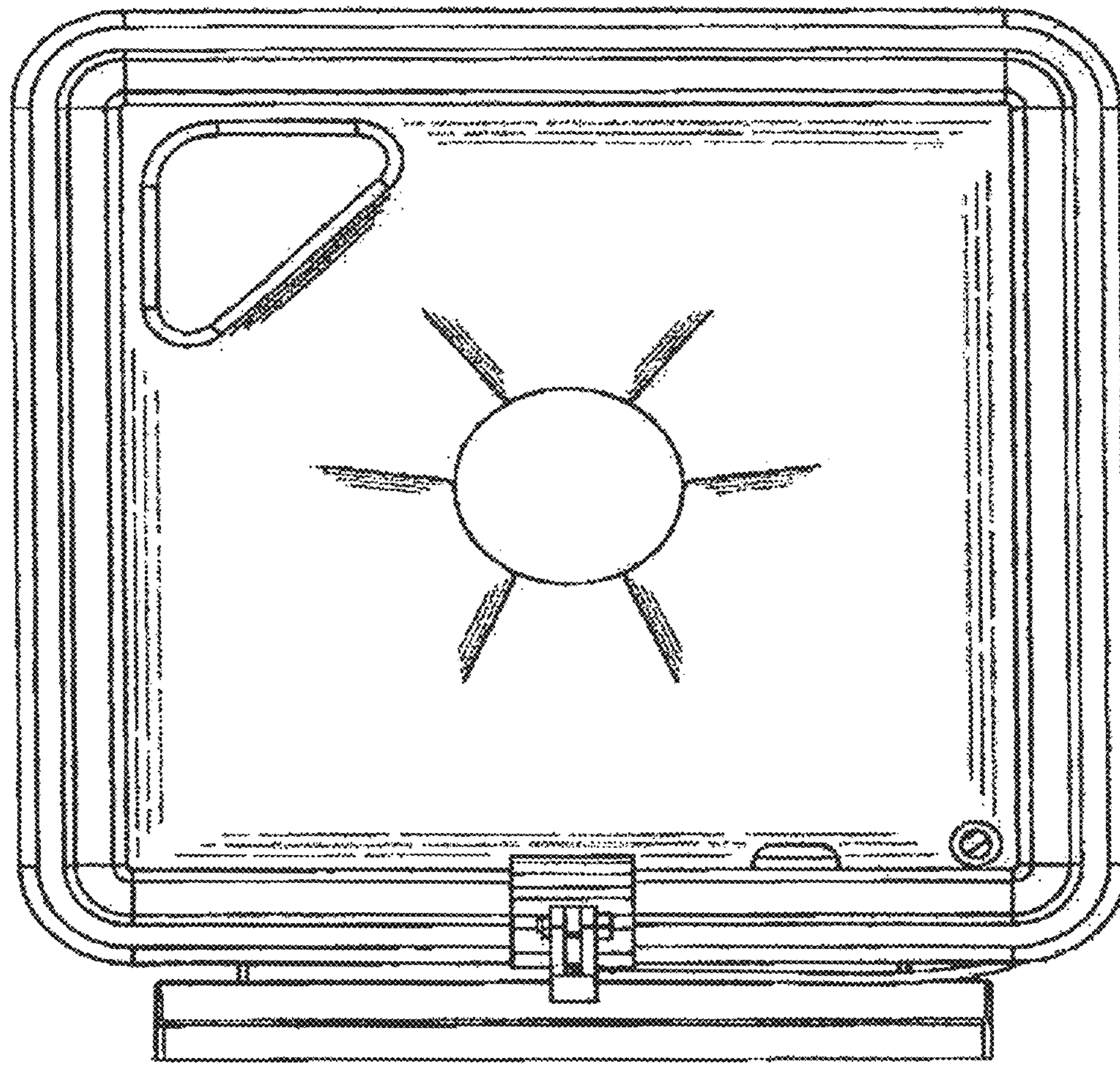


FIG. 6

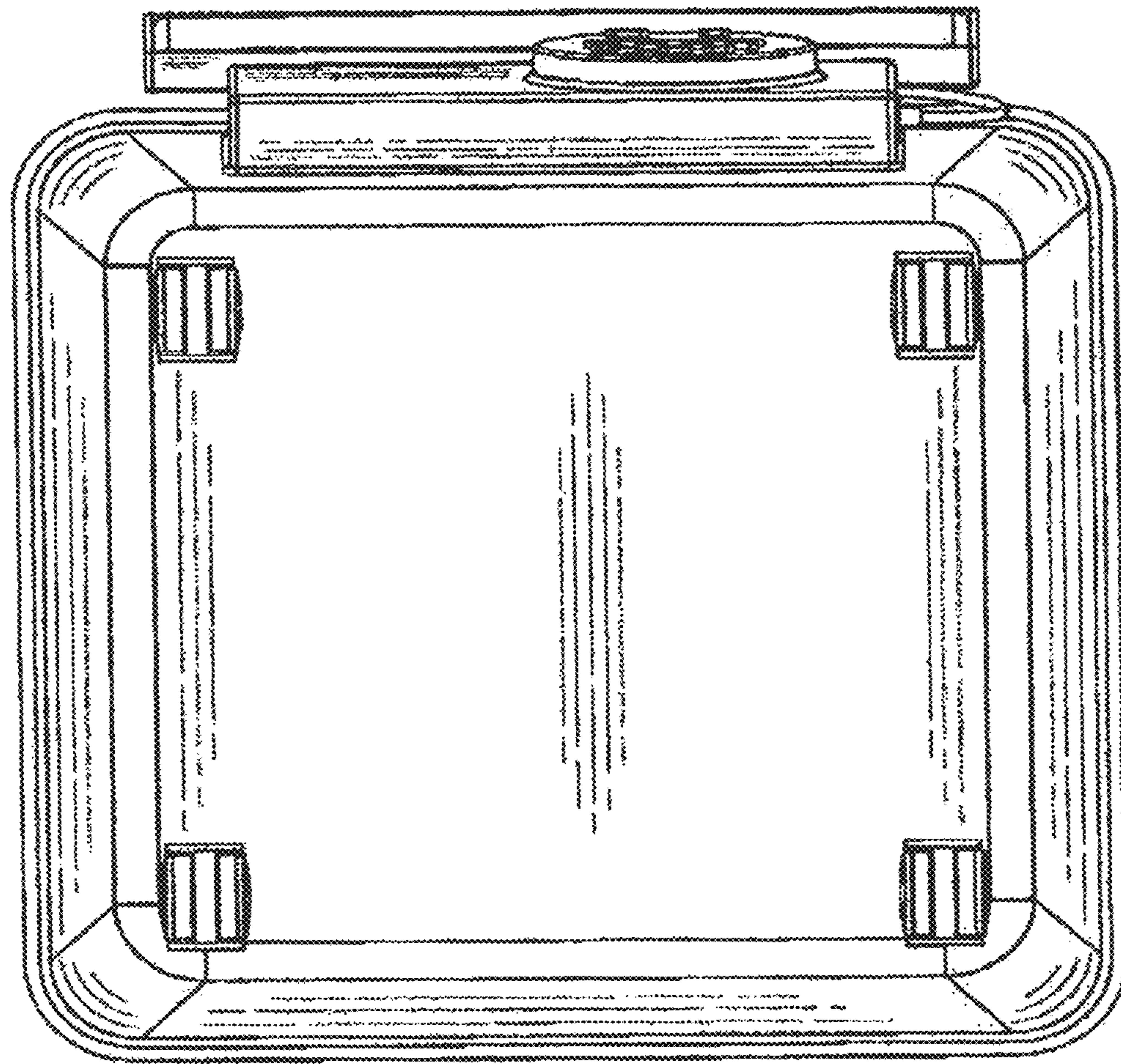


FIG. 7

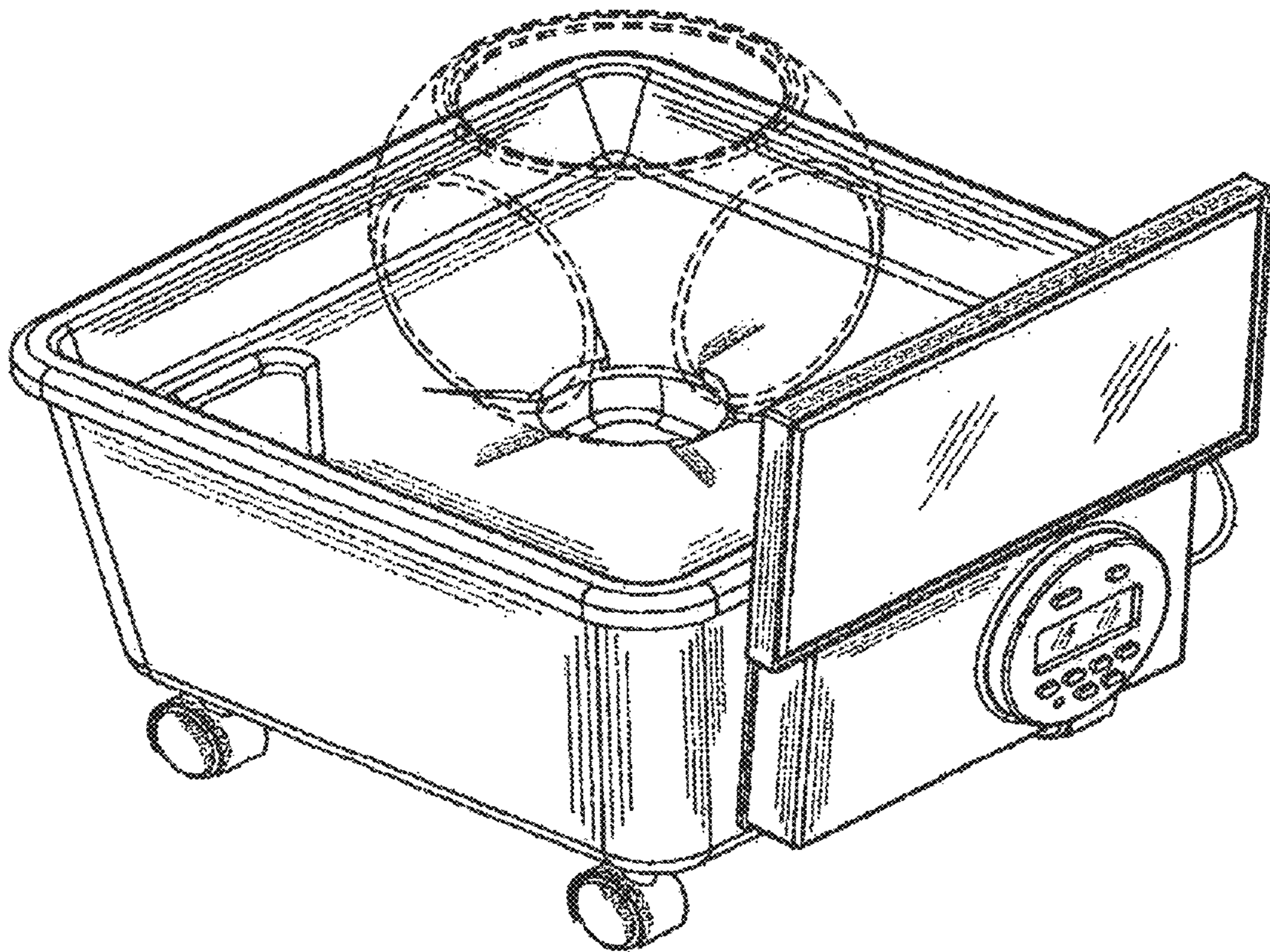


FIG. 8

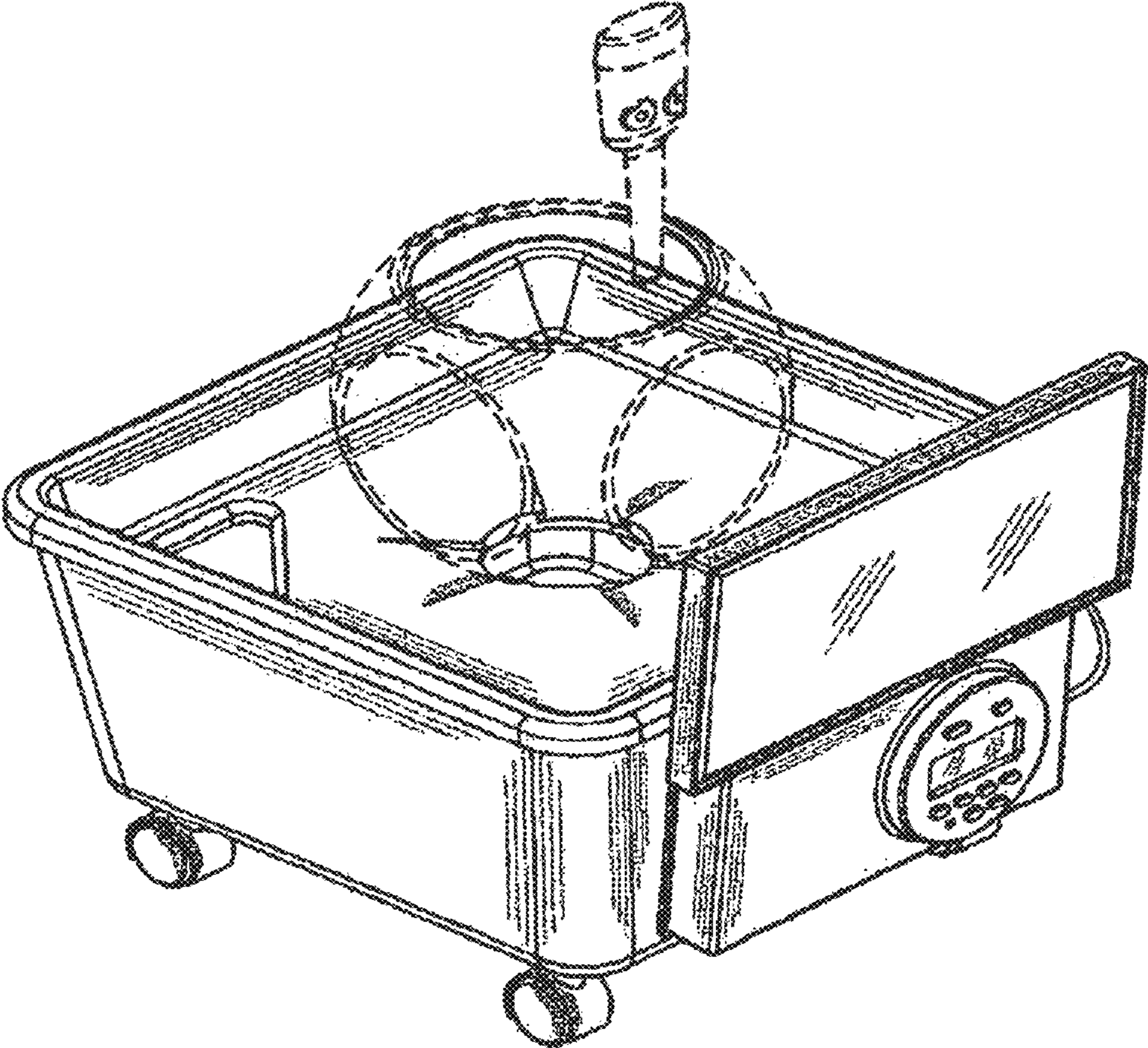


FIG. 9

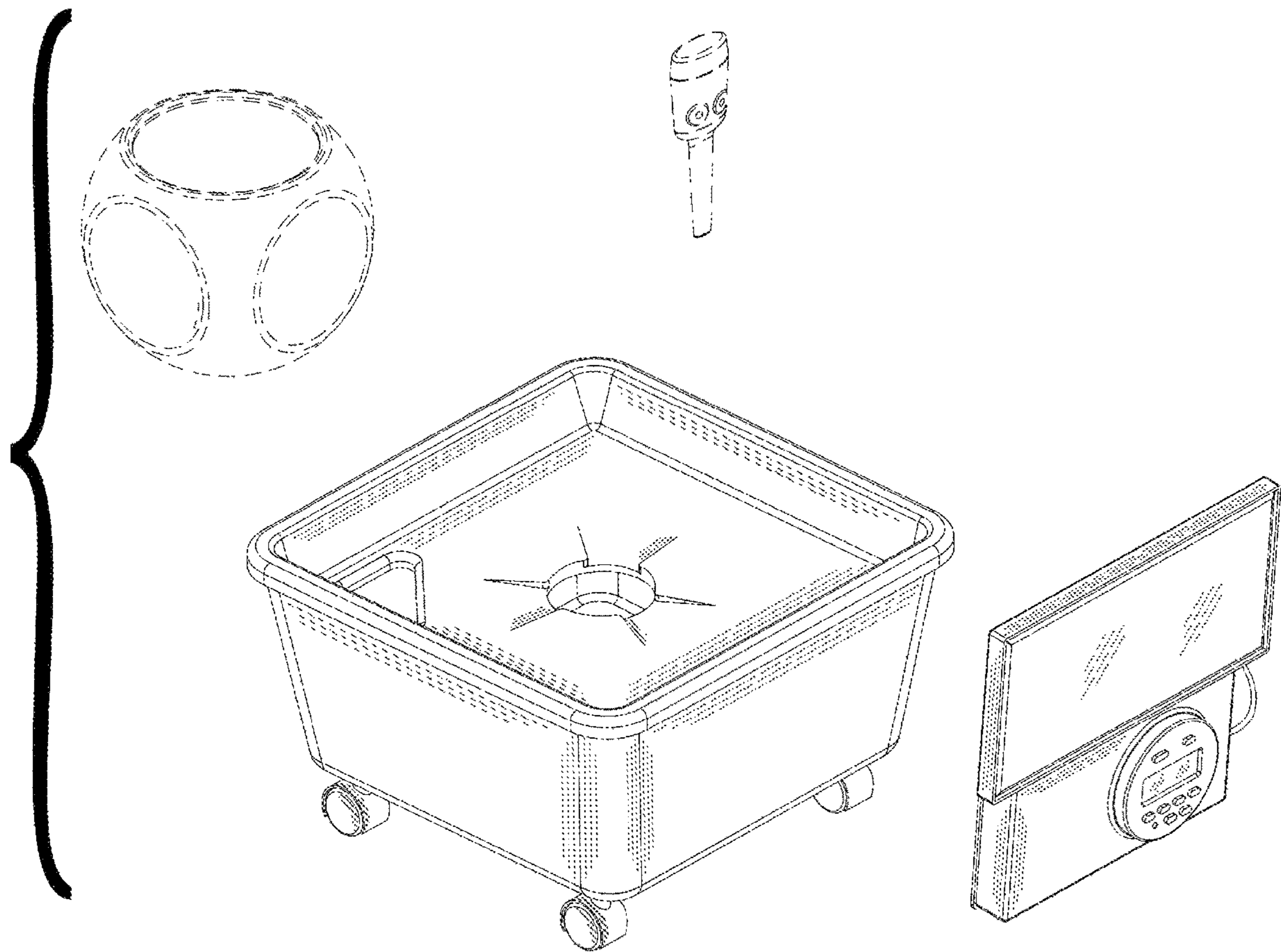


FIG. 10