



US00D885962S

(12) **United States Design Patent**
Jones et al.

(10) **Patent No.:** **US D885,962 S**
(45) **Date of Patent:** **** Jun. 2, 2020**

(54) **BREATHABLE RING**

(71) Applicants: **Brighton Jones**, Sandy, UT (US);
Aaron Dalley, Springville, UT (US)

(72) Inventors: **Brighton Jones**, Sandy, UT (US);
Aaron Dalley, Springville, UT (US)

(**) Term: **15 Years**

(21) Appl. No.: **29/605,278**

(22) Filed: **May 24, 2017**

(51) **LOC (12) Cl.** **11-01**

(52) **U.S. Cl.**
USPC **D11/26**

(58) **Field of Classification Search**

USPC D11/1, 3, 4, 26-39, 79, 91, 92; D28/41;
D7/633
CPC A44C 9/00; A44C 9/0007; A44C 9/0015;
A44C 9/0023; A44C 9/003; A44C
9/0038; A44C 9/0046; A44C 9/0053;
A44C 9/0061; A44C 9/0069; A44C
9/0076; A44C 9/0084; A44C 9/0092;
A44C 9/02; A44C 17/02; A44C 17/0208;
A44C 17/0216; A44C 17/0225; A44C
17/0233; A44C 17/0241; A44C 17/025;
A44C 17/0258; A44C 17/0266; A44C
17/0275; A44C

(Continued)

(56) **References Cited**

U.S. PATENT DOCUMENTS

D273,942 S * 5/1984 Brueck D9/434
6,546,749 B1 4/2003 Canty
(Continued)

FOREIGN PATENT DOCUMENTS

JP 3183612 U 5/2013

OTHER PUBLICATIONS

[Online] "Silicone Wedding Bands; A look at three brands" <https://www.jfjco.com/silicone-wedding-bands/>. Retrieved Jan. 5, 2020. Posted online Aug. 23, 2018.*

(Continued)

Primary Examiner — Melanie Pellegrini

(74) *Attorney, Agent, or Firm* — Law Office of Paul B. Johnson; Paul B. Johnson

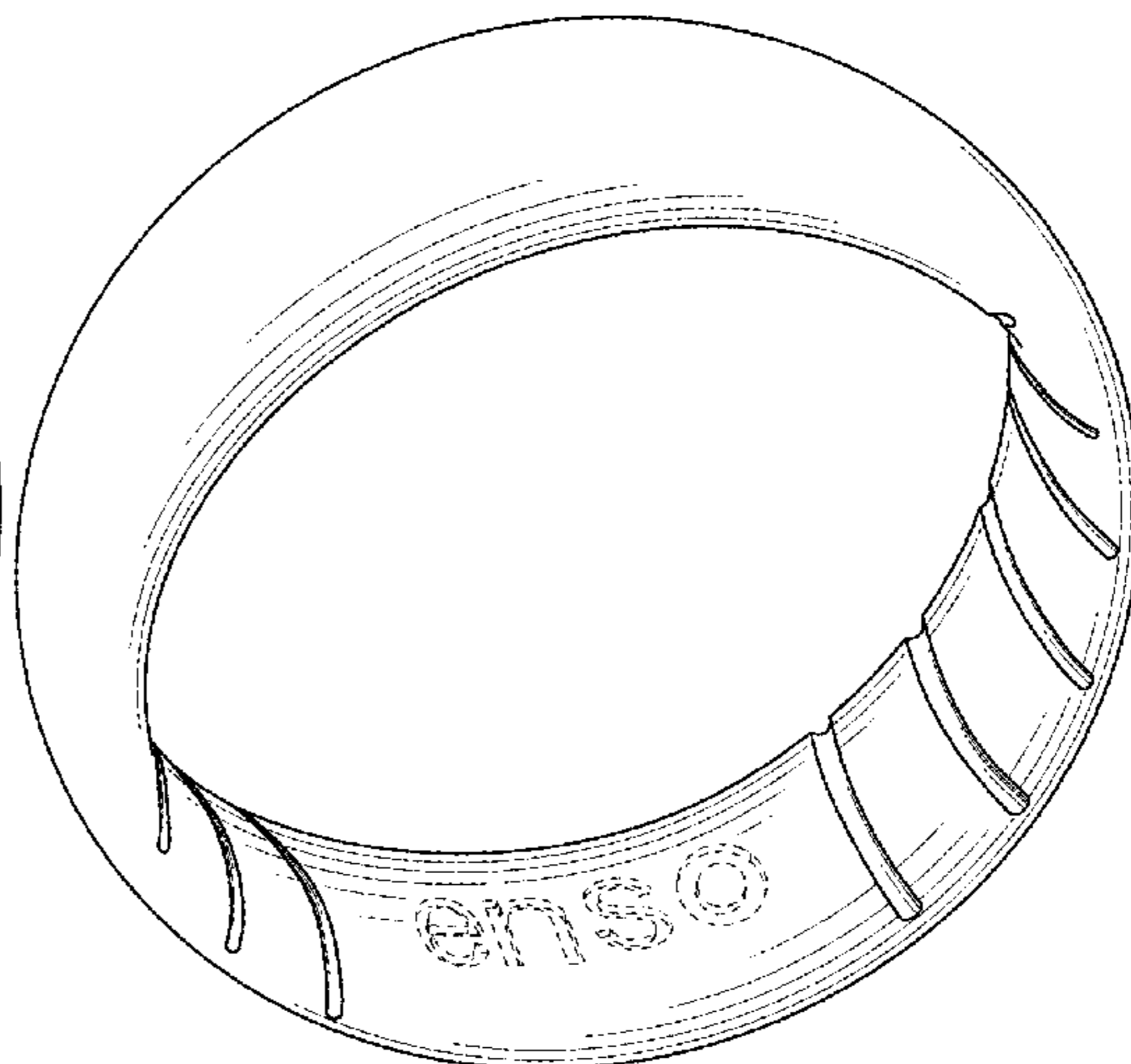
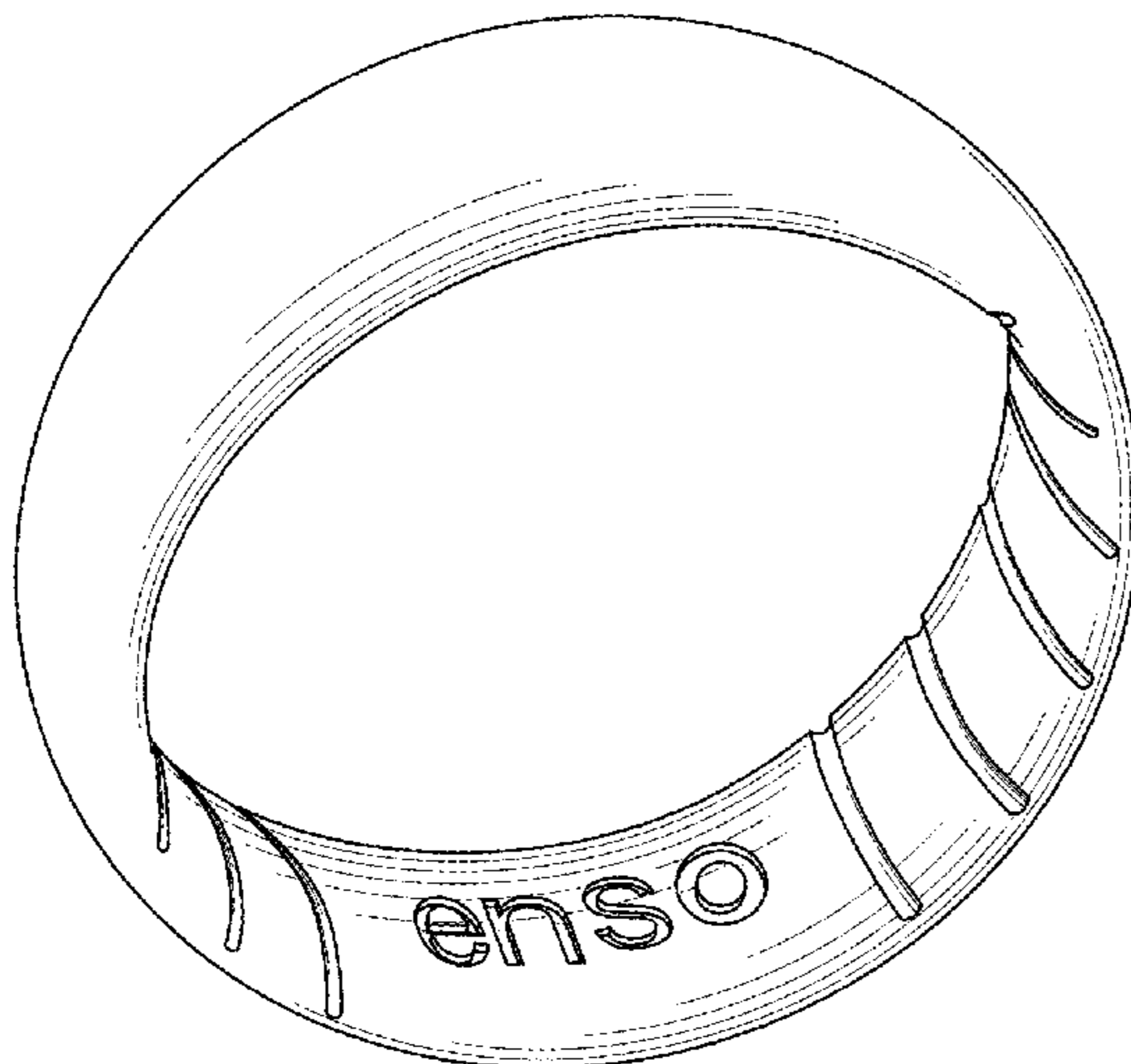
(57) **CLAIM**

The ornamental design for a breathable ring, as shown and described.

DESCRIPTION

FIG. 1 is a front perspective view of a first embodiment of the design;
FIG. 2 is a front perspective view of a second embodiment of the design;
FIG. 3 is a front view of the design of FIG. 1 and is also a front view of the design of FIG. 2—they having identical front views—and the rear view of each is a mirror image of FIG. 3;
FIG. 4 is a top view of the design of FIG. 1 and is also a top view of the design of FIG. 2—they having identical top views—and the bottom view of each is a mirror image of FIG. 4;
FIG. 5 is a front perspective view of a third embodiment of the design;
FIG. 6 is a front perspective view of a fourth embodiment of the design;
FIG. 7 is a front view of the embodiment of FIG. 5;
FIG. 8 is a rear view of the embodiment of FIG. 5;
FIG. 9 is a front view of the embodiment of FIG. 6;
FIG. 10 is a rear view of the embodiment of FIG. 6; and,
FIG. 11 is a top view of the embodiment of FIG. 5 and is also a top view of the embodiment of FIG. 6—they having identical top views—and the bottom view of each is a mirror image of FIG. 11.
The broken lines of FIGS. 2, 6, and 9-10 show lettering which forms no part of the second and fourth embodiments of the claimed design.

1 Claim, 5 Drawing Sheets



(58) **Field of Classification Search**
 CPC 17/0283; A44C 17/0291; A44C 27/001;
 A44C 5/0092; B29C 45/16
 See application file for complete search history.

(56) **References Cited**

U.S. PATENT DOCUMENTS

D515,965	S	2/2006	D'Annunzio	
D516,451	S	3/2006	D'Annunzio	
D518,749	S	4/2006	D'Annunzio	
D522,902	S *	6/2006	Kaplan	D11/26
7,350,377	B2	4/2008	Kaplan	
7,430,879	B2 *	10/2008	Czajka	A44C 9/02 63/15.5
D666,362	S *	8/2012	Hsu	D28/41
D750,994	S	3/2016	Baker et al.	
D751,447	S	3/2016	Baker et al.	
D751,448	S	3/2016	Baker et al.	
D780,614	S	3/2017	Kaplan	
D780,615	S	3/2017	Baker et al.	
D784,182	S	4/2017	Baker et al.	
D789,231	S	6/2017	Baker et al.	
D789,232	S	6/2017	Baker et al.	
D789,233	S	6/2017	Baker et al.	
D789,234	S	6/2017	Baker et al.	
9,943,146	B2	4/2018	Baker et al.	
D863,907	S *	10/2019	Little	D8/57
2005/0268653	A1 *	12/2005	Kaplan	A44C 5/0092 63/15.7
2008/0184738	A1 *	8/2008	Smarsh	A44C 9/00 63/15
2011/0289966	A1	12/2011	Ahrenholtz et al.	

2013/0091895	A1	4/2013	Hwang	
2014/0083135	A1 *	3/2014	Martinez	A44C 9/0092 63/15.8
2017/0196320	A1	7/2017	Sato et al.	
2018/0035768	A1 *	2/2018	Goodwin	A44C 9/00
2018/0078010	A1 *	3/2018	Jones	A44C 9/02
2018/0289117	A1 *	10/2018	Guirguis	A44C 9/00
2018/0289118	A1 *	10/2018	Guirguis	A44C 9/00
2019/0116946	A1 *	4/2019	Jones	A44C 27/001
2019/0355191	A1 *	11/2019	Jones	G06K 19/0723

OTHER PUBLICATIONS

“Groove Life Groove Silicone Rings,” published online at groovelife.co at least as early as Sep. 13, 2016, available at <https://groovelife.co/>, last accessed Sep. 13, 2016.
 Groove Life Silicone Ring, published online at <https://www.kickstarter.com/projects/381304160/groove> at least as early as Apr. 30, 2015, available online at <https://www.kickstarter.com/projects/381304160/groove>, last visited May 24, 2017.
 Groove Ring by Peter Goodwin Kickstarter Campaign, published online at <https://www.kickstarter.com/projects/381304160/groove> at least as early as Dec. 2, 2015, available online at <https://www.kickstarter.com/projects/381304160/groove>, last visited May 24, 2017.
 BULZI Massaging Comfort Fit Silicone Wedding Ring, for sale on Amazon.com at least as early as Aug. 28, 2015, last visited Aug. 3, 2018, available online at https://www.amazon.com/BULZi-Massaging-Silicone-Comfortable-Flexible/dp/B00ZBQ46UI/ref=sr_1_2?ie=UTF8&qid=1533333654&sr=8-2&keywords=bulzi+ring&dpID=41PKEvYBRwL&preST=_SY300_QL70_&dpSrc=srch.

* cited by examiner



FIG. 1



FIG. 2

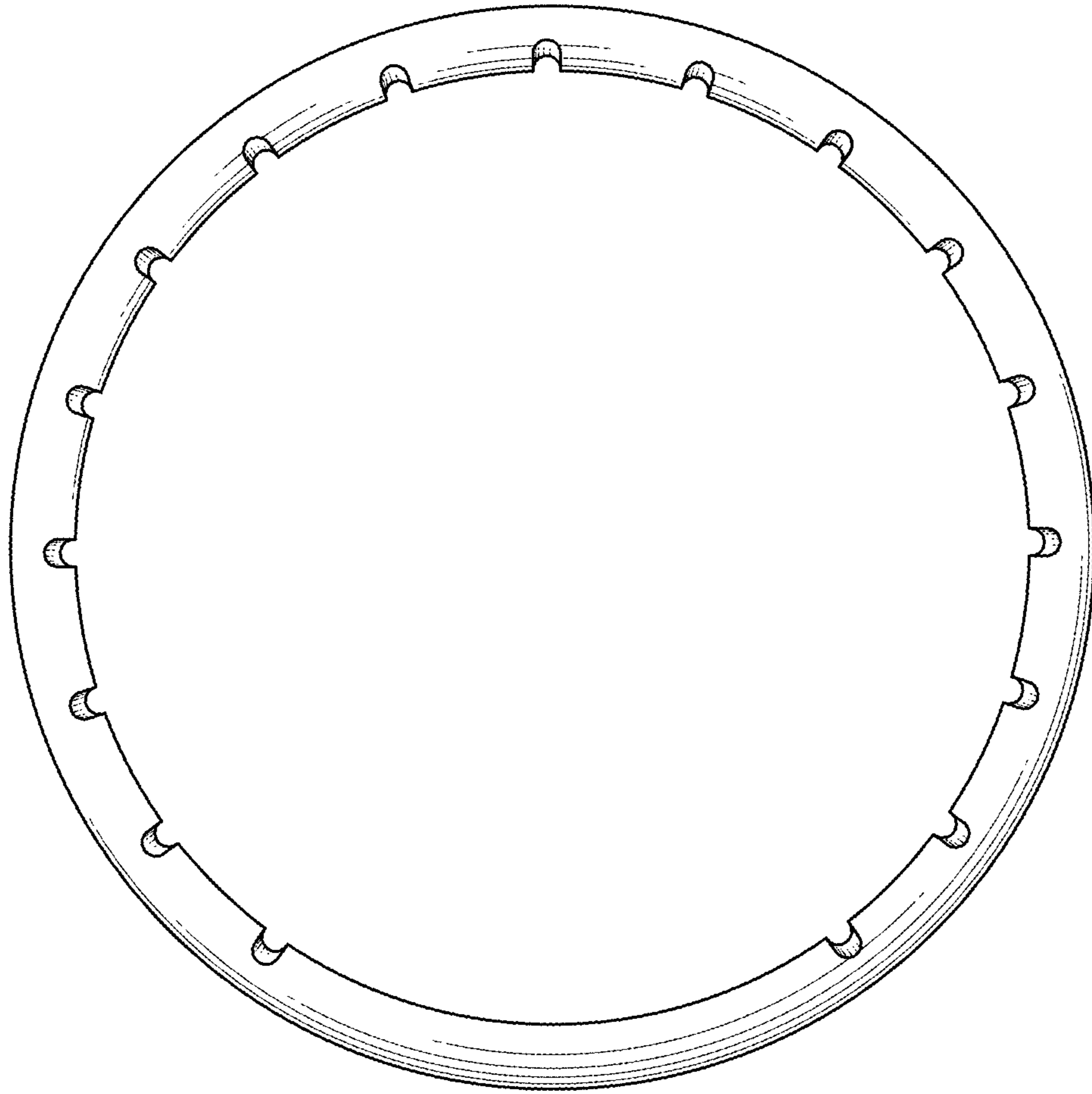


FIG. 3

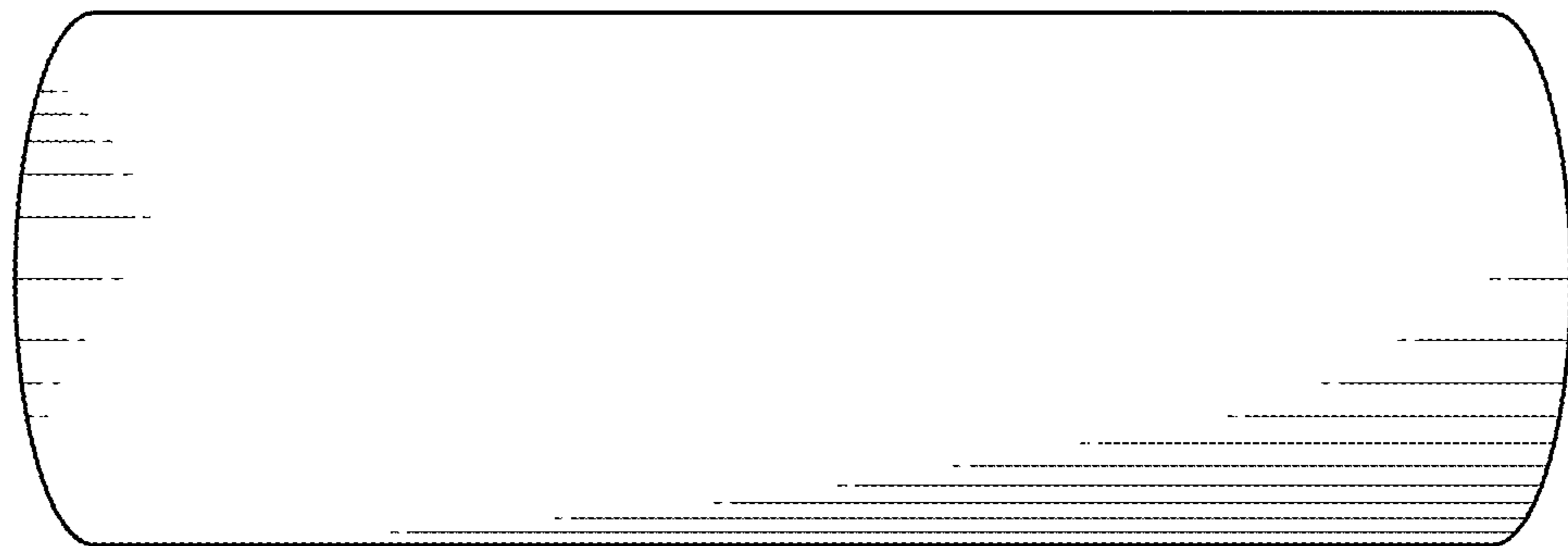


FIG. 4



FIG. 5

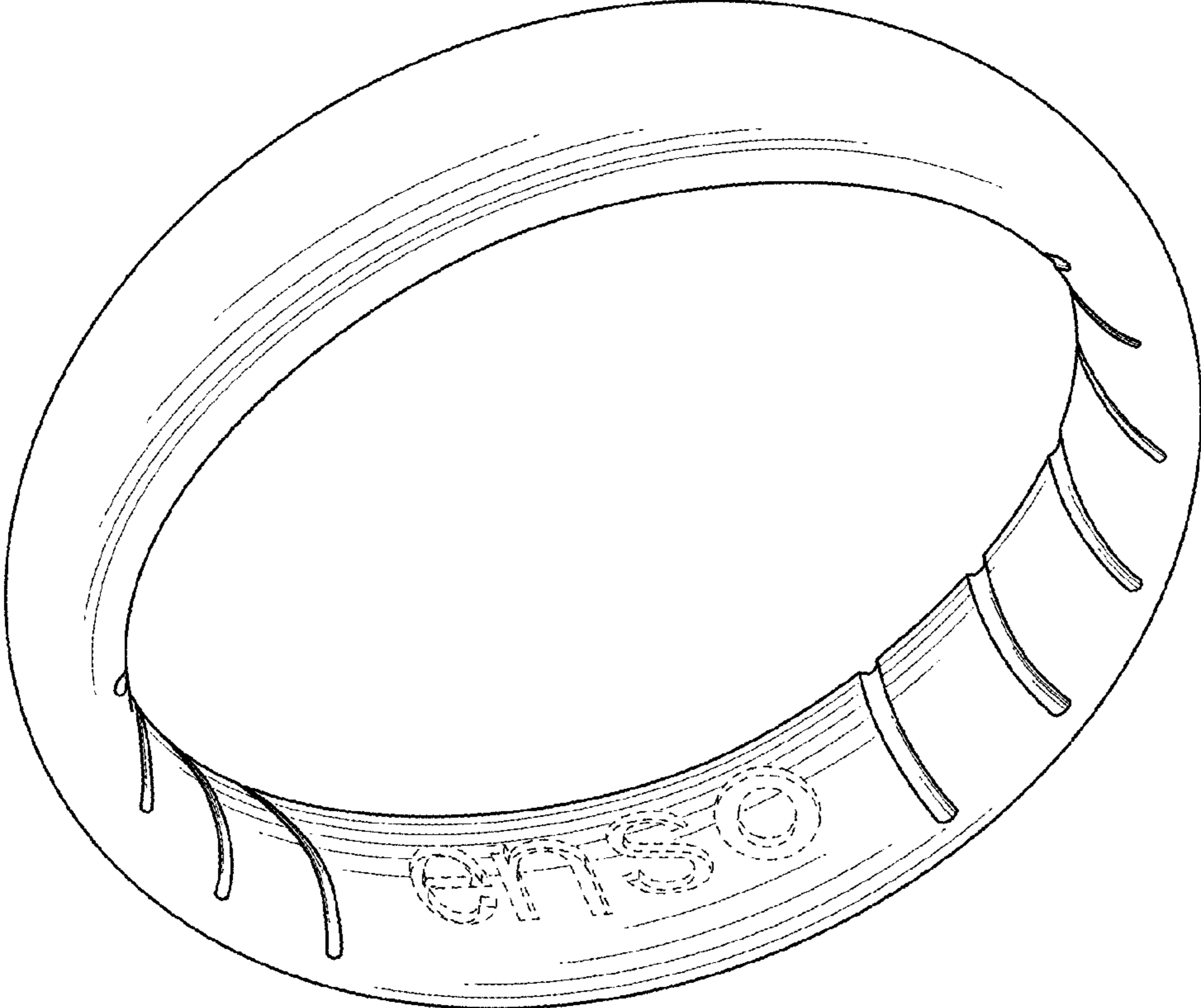


FIG. 6

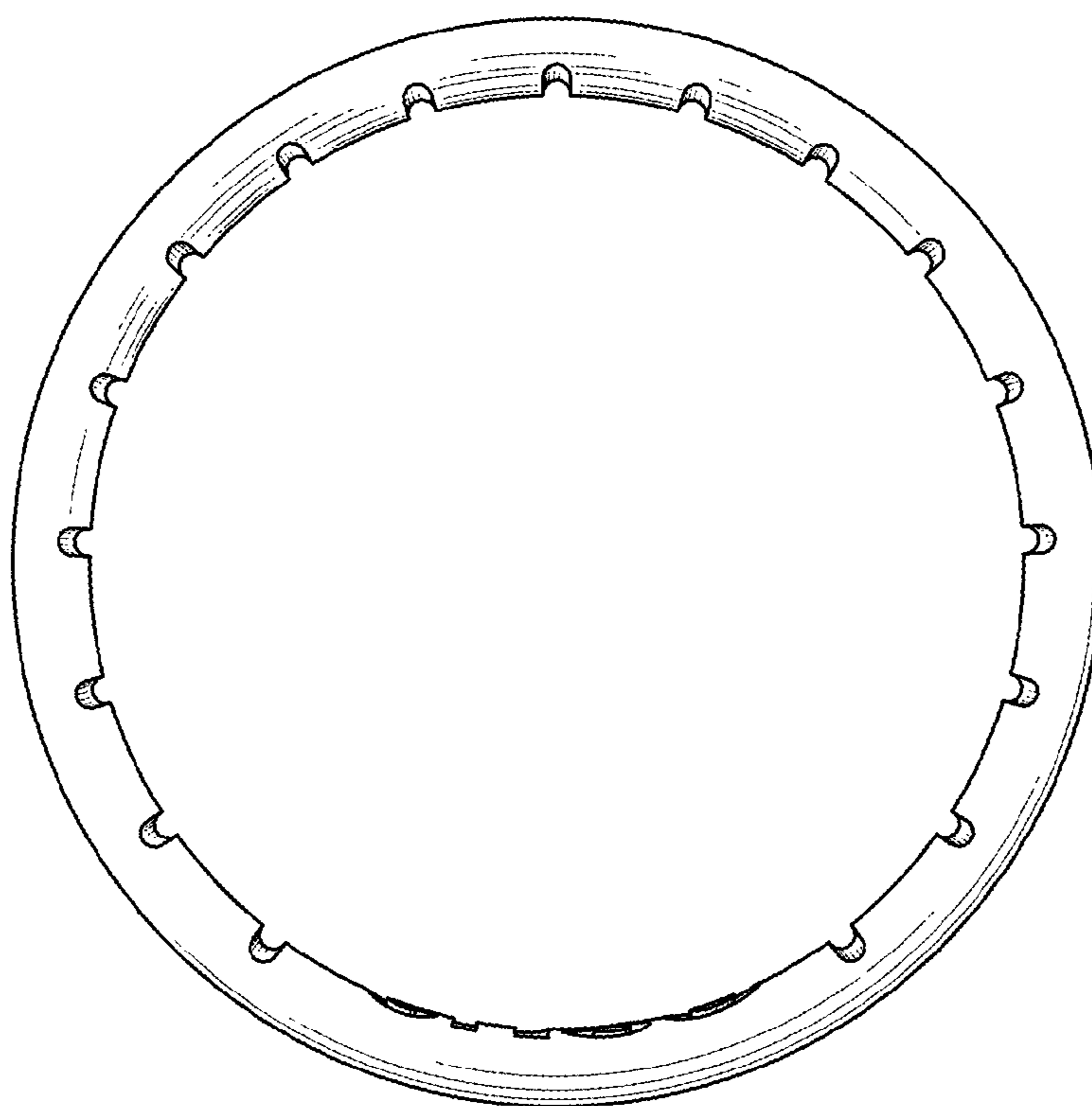


FIG. 7

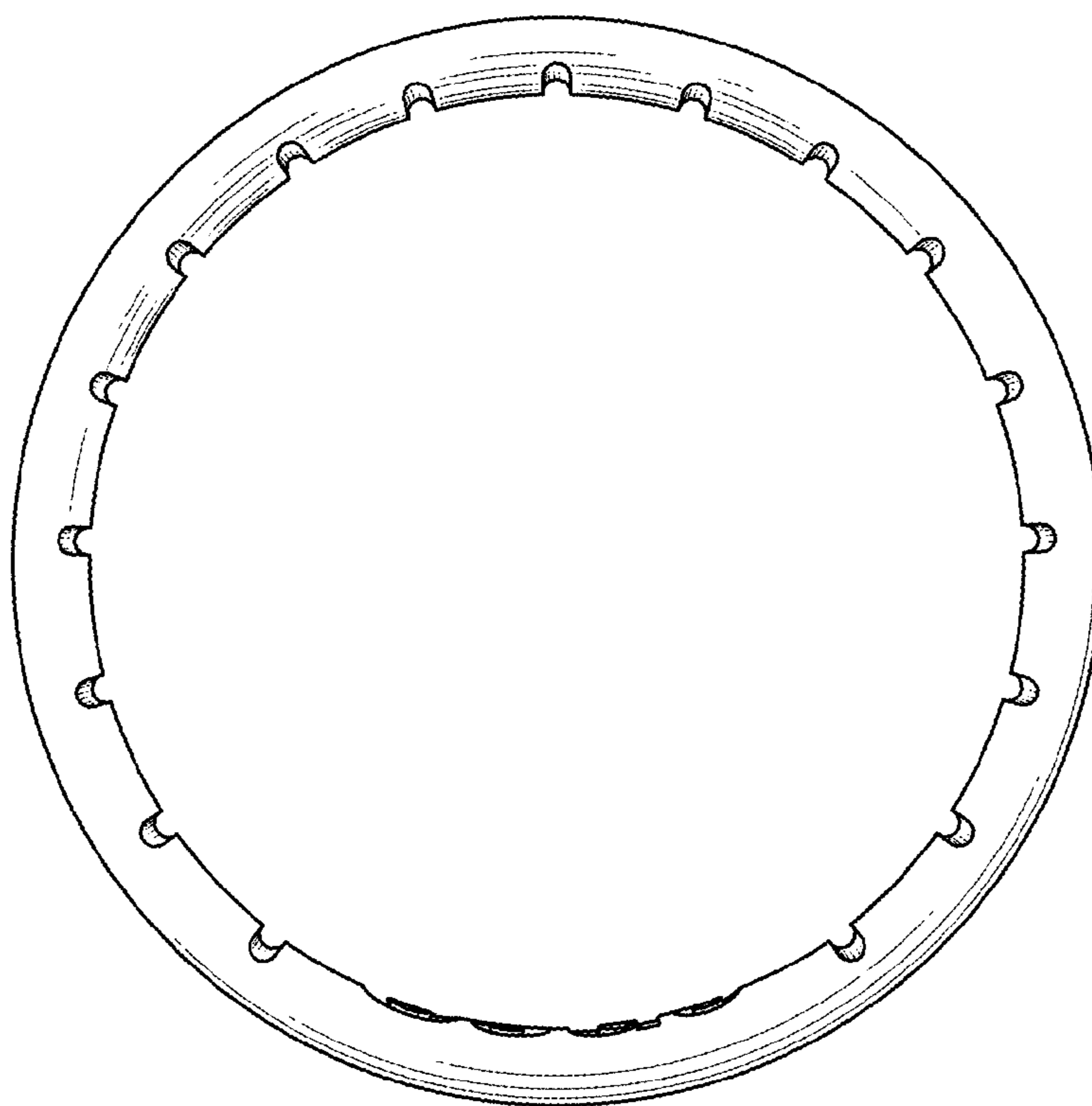


FIG. 8

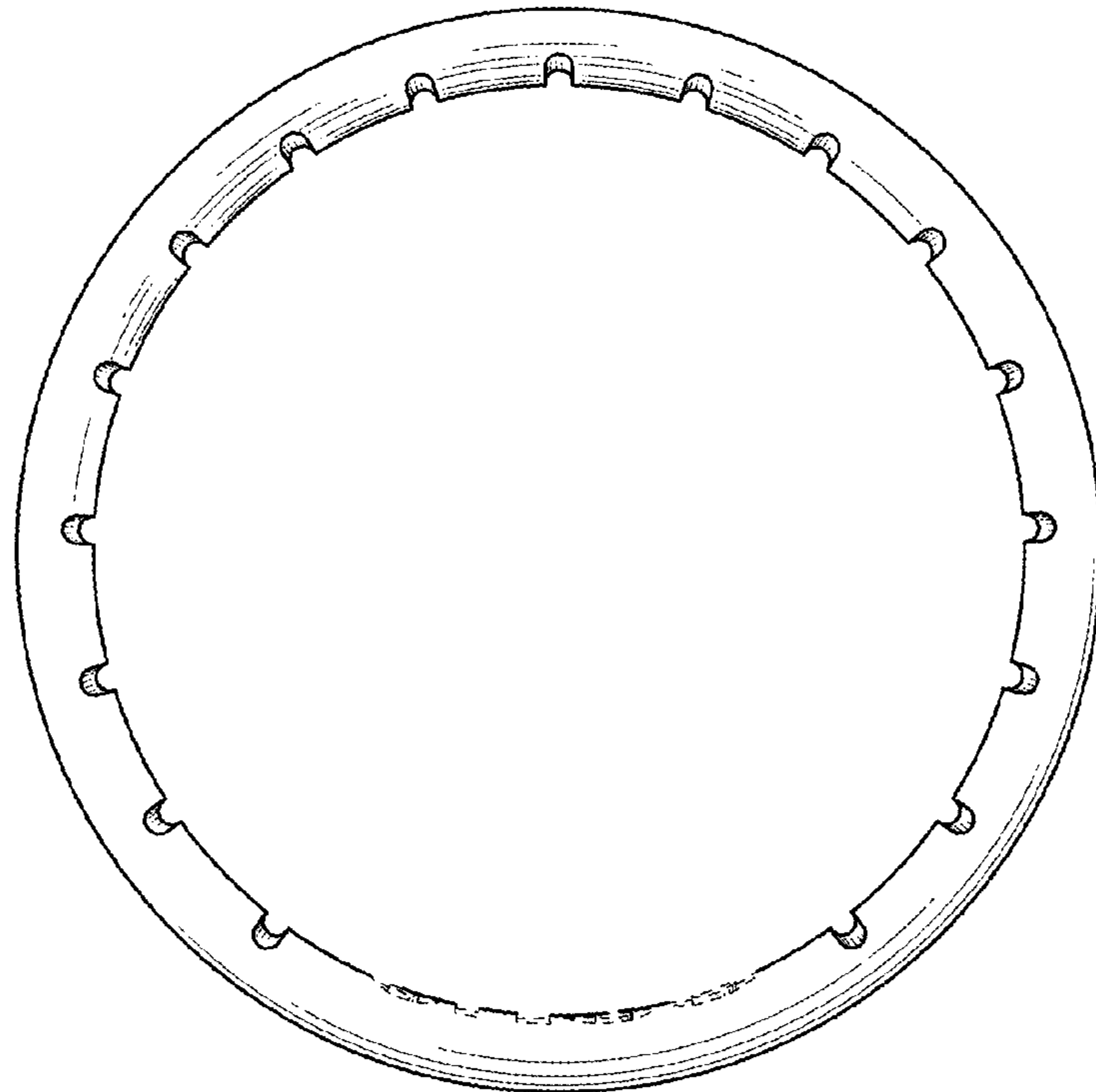


FIG. 9

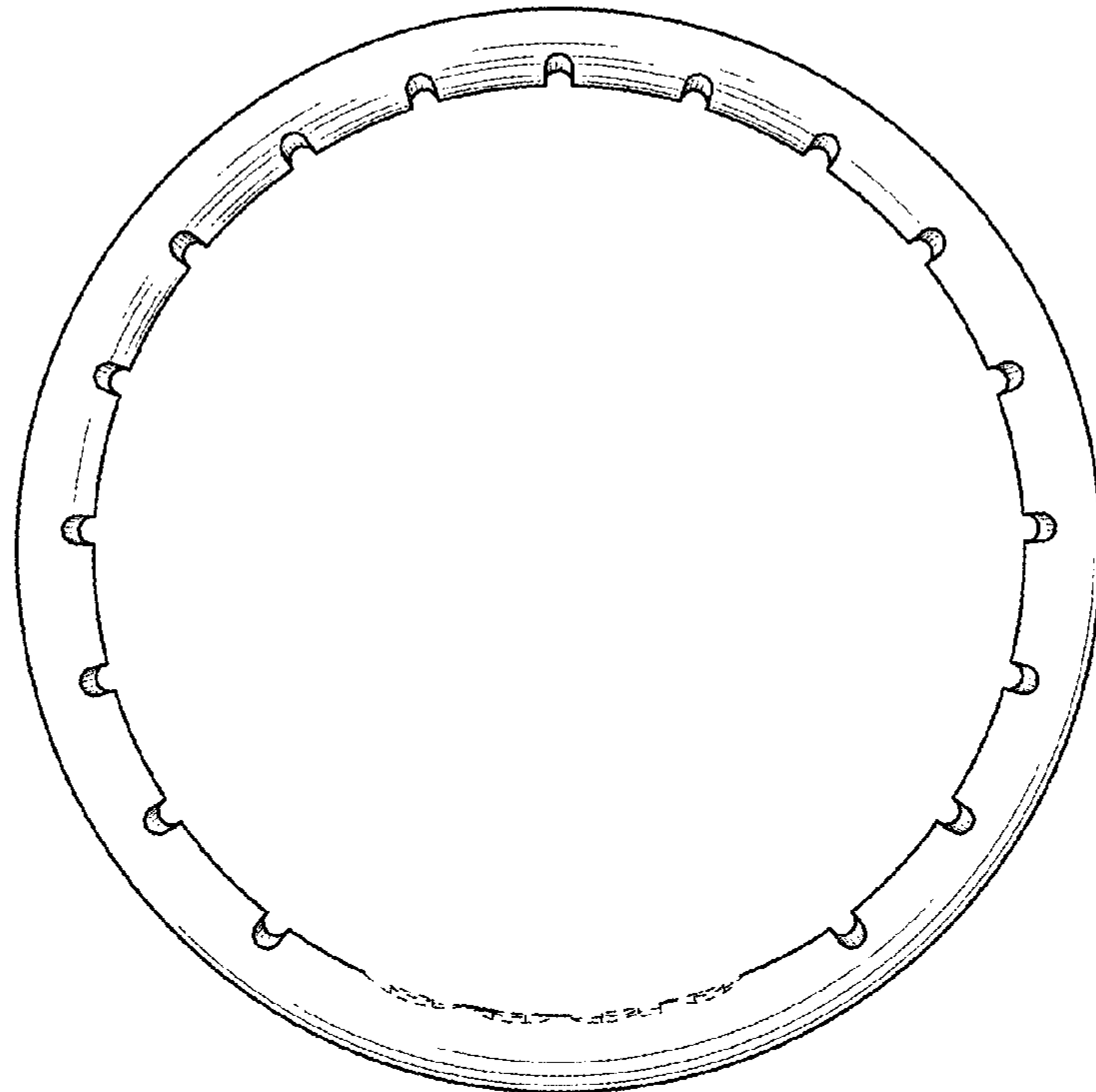


FIG. 10

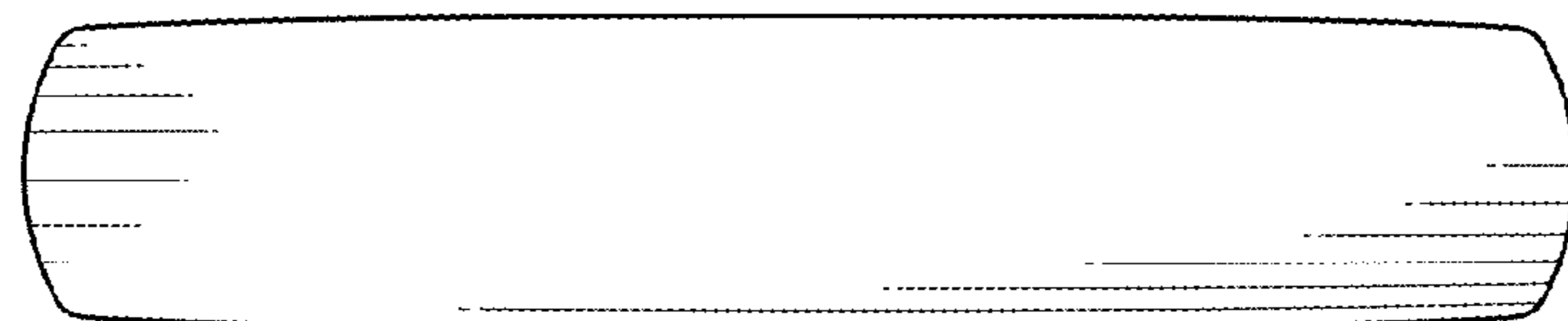


FIG. 11