



US00D885956S

(12) **United States Design Patent**  
**Laucella**

(10) **Patent No.:** **US D885,956 S**  
(45) **Date of Patent:** **\*\* Jun. 2, 2020**

(54) **WATCH BAND**

(71) Applicant: **Montres Breguet S.A., L'Abbaye (CH)**

(72) Inventor: **Vincent Laucella, Le Brassus (CH)**

(73) Assignee: **MONTRES BREGUET S.A., L'Abbaye (CH)**

(\*\*) Term: **15 Years**

(21) Appl. No.: **29/654,140**

(22) Filed: **Jun. 21, 2018**

(30) **Foreign Application Priority Data**

Dec. 21, 2017 (WO) ..... DM/099 118

(51) **LOC (12) Cl.** ..... **11-01**

(52) **U.S. Cl.**  
USPC ..... **D11/3**

(58) **Field of Classification Search**  
USPC ..... D10/31, 32, 38, 39, 46, 70; D11/1-6,  
D11/7-25, 87, 94; D14/344

CPC ..... A44C 5/00; A44C 5/0007; A44C 5/0053;  
A44C 5/0061; A44C 5/02; A44C 5/022;  
A44C 5/025; A44C 5/027; A44C 5/08;  
A44C 5/14; A44C 5/16; A44C 5/18

See application file for complete search history.

(56) **References Cited**

**U.S. PATENT DOCUMENTS**

D306,981 S \* 4/1990 Bettelini ..... D11/3  
D332,760 S \* 1/1993 Tse ..... D11/3  
D393,602 S \* 4/1998 Sang ..... D11/3  
D409,940 S \* 5/1999 Spandrio ..... D11/3  
D443,221 S \* 6/2001 Jacob ..... D11/3  
D446,467 S \* 8/2001 Lepeu ..... D11/3  
D523,369 S \* 6/2006 Jacober ..... D11/3

D711,760 S \* 8/2014 Savoy ..... D10/32  
D711,761 S \* 8/2014 Savoy ..... D10/32  
D799,361 S \* 10/2017 Monachon ..... D11/3  
D800,007 S \* 10/2017 Tibi ..... D11/3  
D837,675 S \* 1/2019 Tibi ..... D11/3  
D874,311 S \* 2/2020 Connor ..... D11/3

**OTHER PUBLICATIONS**

Marine Chronographe 5527 | Breguet (available online) Retrieved from the internet Mar. 5, 2020 from URL: <https://www.breguet.com/en/timepieces/new-models-la-marine/5527#!40197>.\*

\* cited by examiner

*Primary Examiner* — Kevin K Rudzinski

*Assistant Examiner* — Richard Kearney

(74) *Attorney, Agent, or Firm* — Abelman, Frayne & Schwab

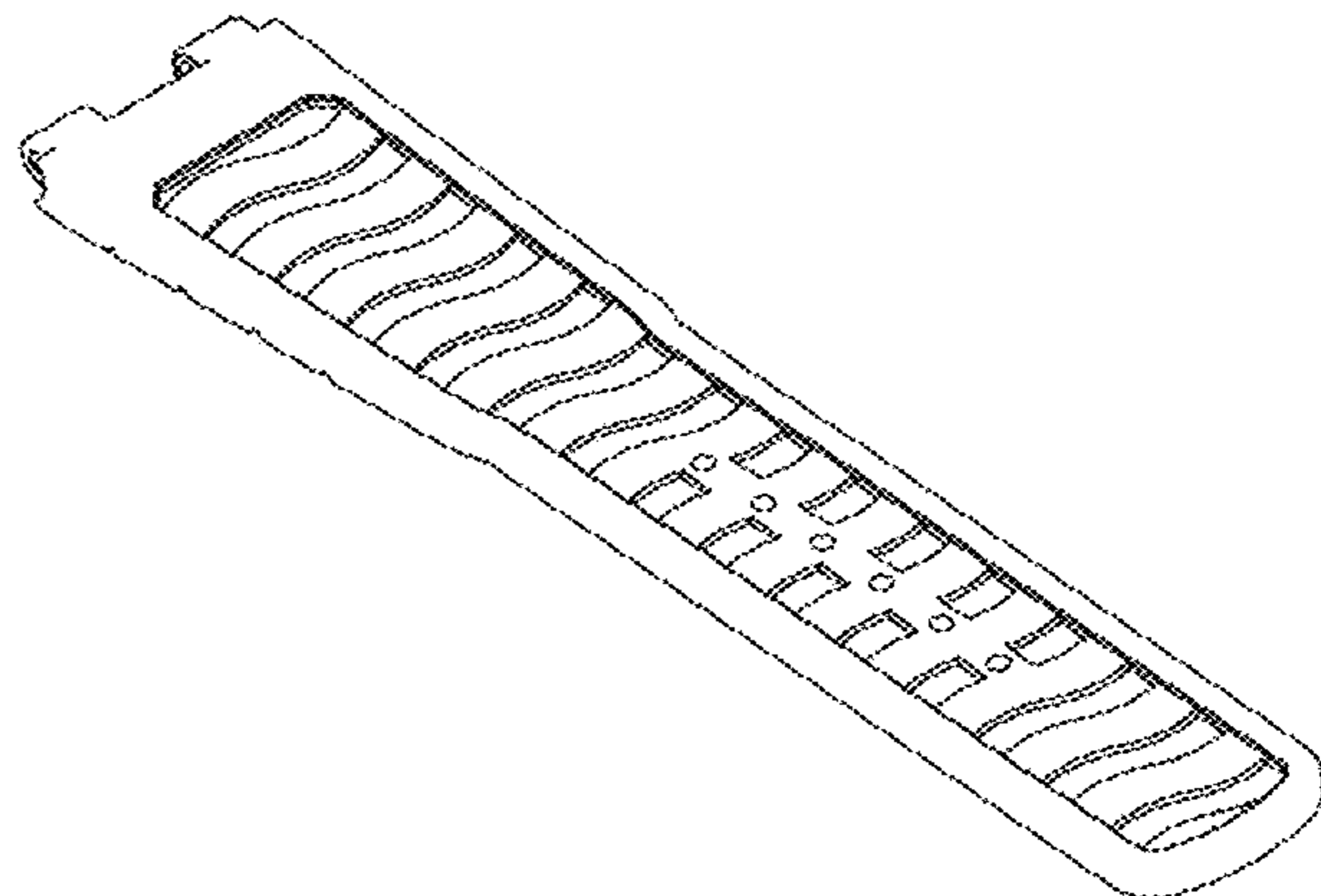
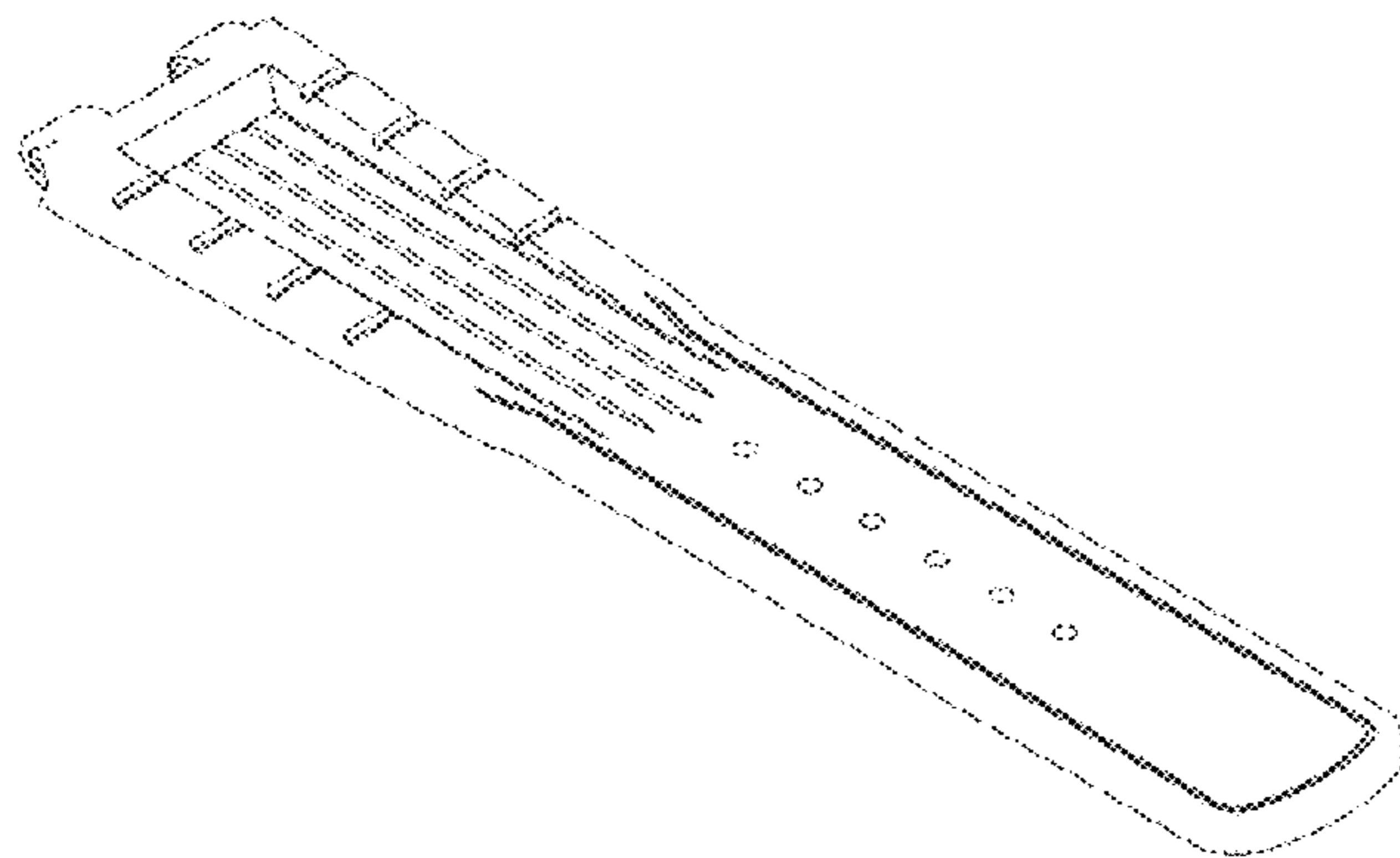
(57) **CLAIM**

The ornamental design for a watch band, as shown and described.

**DESCRIPTION**

FIG. 1 is a top view of a watch band of the present design; FIG. 2 is a bottom view thereof; FIG. 3 is a right side view thereof; FIG. 4 is a left side view thereof; FIG. 5 is an end view thereof; FIG. 6 is another end view thereof; FIG. 7 is a top perspective view thereof; and, FIG. 8 is a bottom perspective view thereof. The broken line showing of the watch band is for the purpose of illustrating portions of the article and forms no part of the claimed design.

**1 Claim, 8 Drawing Sheets**



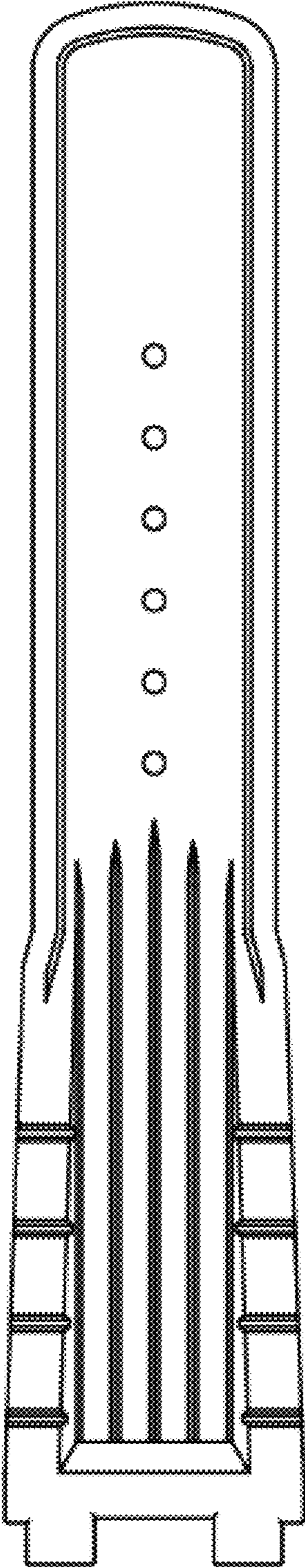


Fig. 1

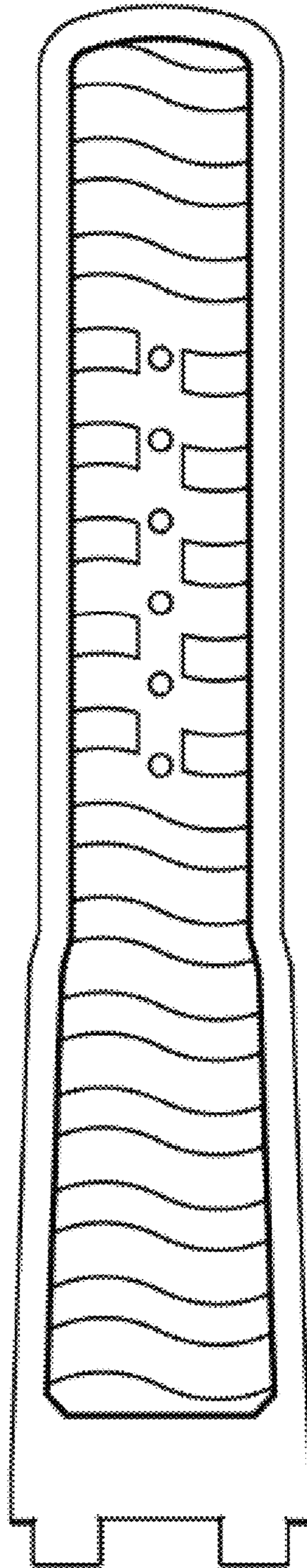


Fig. 2



**Fig. 3**

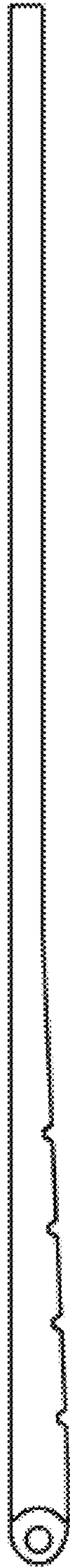


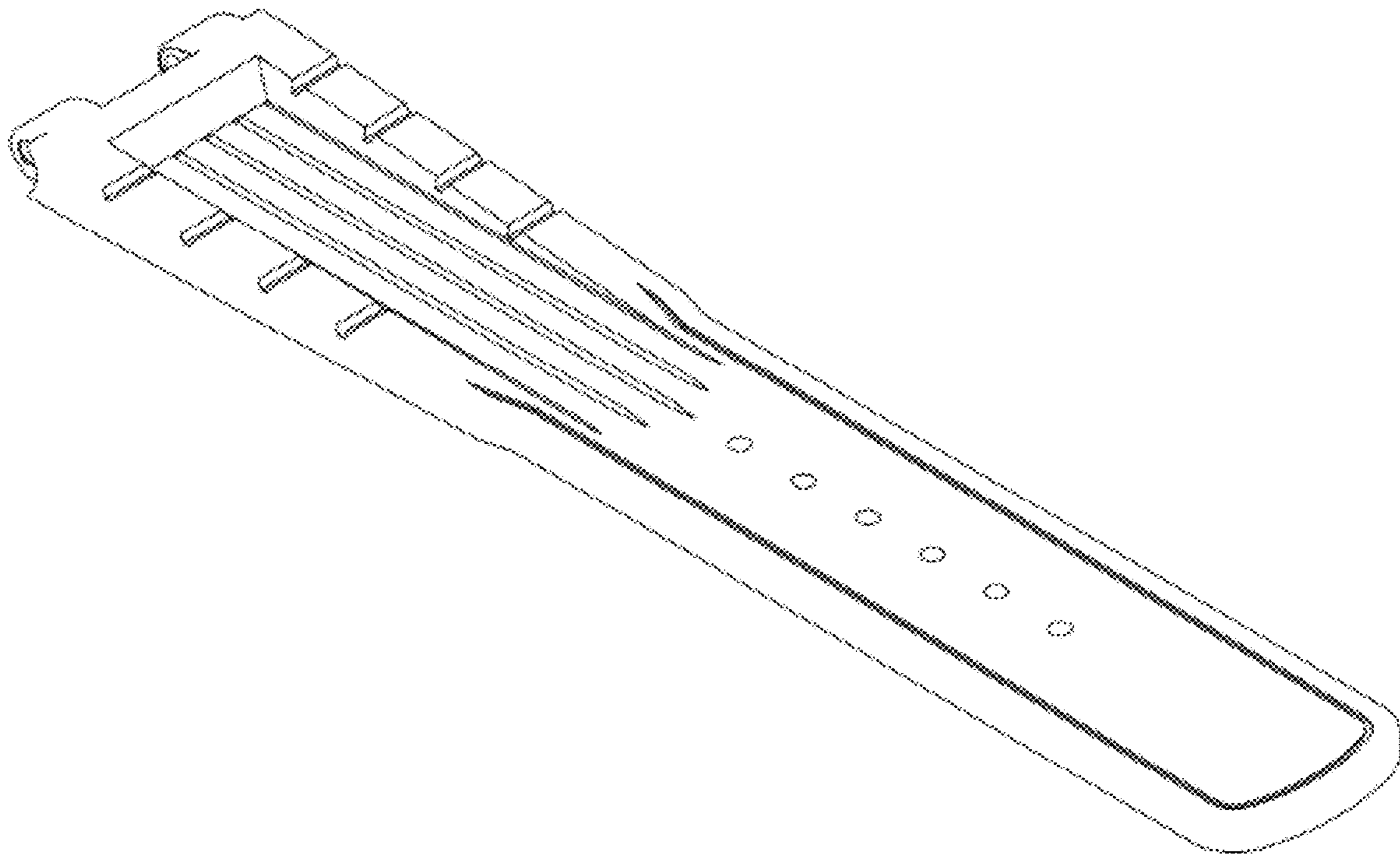
Fig. 4



Fig. 5



**FIG. 6**



**Fig. 7**



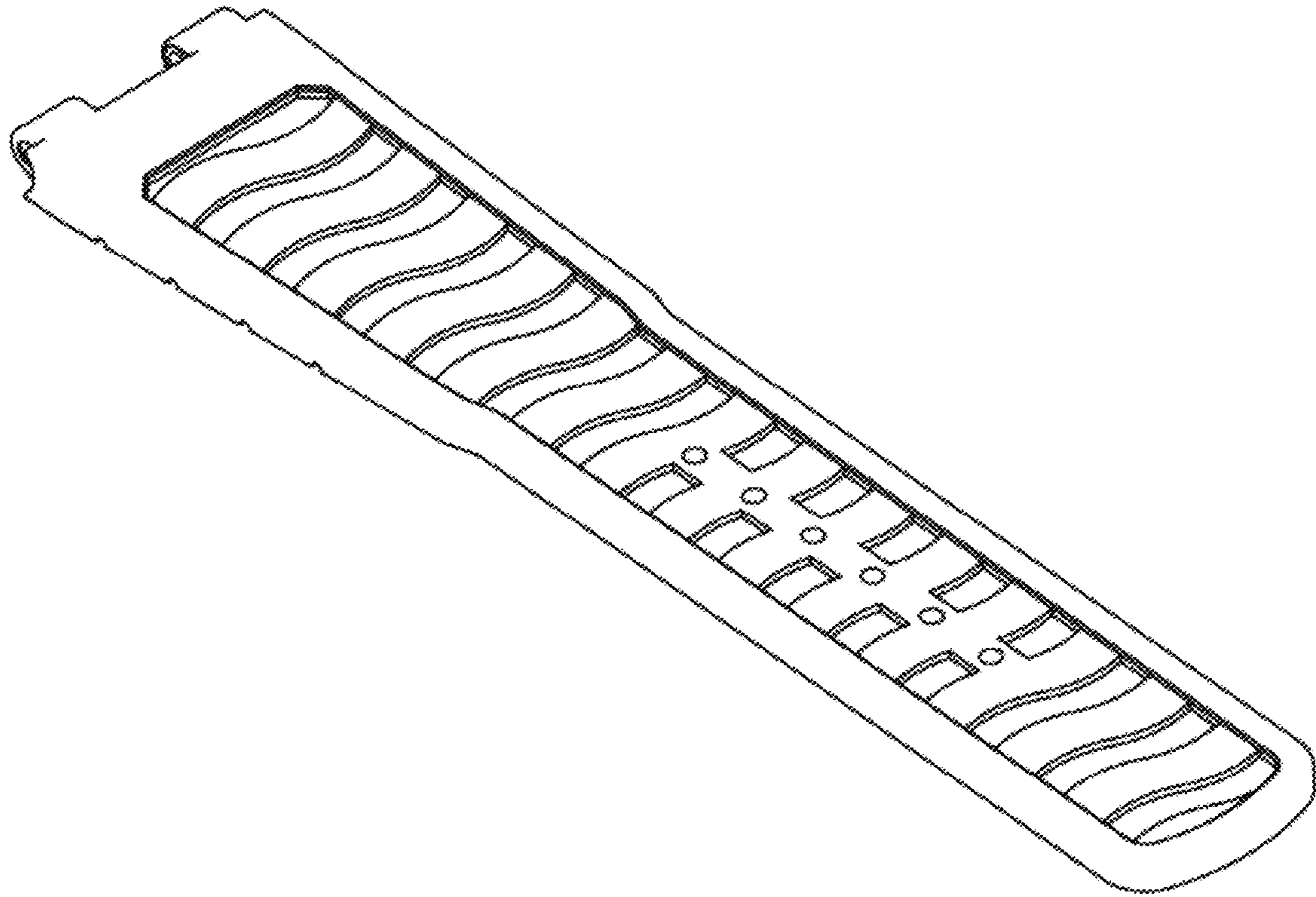


Fig. 8