



US00D885955S

(12) **United States Design Patent**  
**McLain, III**

(10) **Patent No.:** **US D885,955 S**  
(45) **Date of Patent:** **\*\* Jun. 2, 2020**

- (54) **MEGAPHONE BELL**
- (71) Applicant: **Negra Arroyo LLC**, Albuquerque, NM (US)
- (72) Inventor: **Howard McMillan McLain, III**, Collierville, TN (US)
- (73) Assignee: **Negra Arroyo LLC**, Albuquerque, NM (US)
- (\*\*) Term: **15 Years**
- (21) Appl. No.: **29/630,324**
- (22) Filed: **Dec. 20, 2017**
- (51) **LOC (12) Cl.** ..... **10-05**
- (52) **U.S. Cl.**  
USPC ..... **D10/118**
- (58) **Field of Classification Search**  
USPC ..... D10/118-121; D8/1, 2, 14, 14.1, 28, 40, D8/70, 80, 83, 94, 107, 300, 303, 306, D8/607, 310, 313, 314, 321; D17/22, 23, D17/24, 99  
CPC ..... G10K 11/08; G10K 13/00; G10K 1/071; G10K 9/02; G10K 9/18  
See application file for complete search history.

|           |   |   |         |          |       |                         |
|-----------|---|---|---------|----------|-------|-------------------------|
| D297,499  | S | * | 9/1988  | Whitney  | ..... | 81/53.11                |
| D298,543  | S | * | 11/1988 | Benson   | ..... | 84/402                  |
| 4,799,913 | A | * | 1/1989  | Wolfe    | ..... | A01M 31/004<br>446/193  |
| 4,981,065 | A | * | 1/1991  | Cohen    | ..... | G10K 1/071<br>84/402    |
| 5,010,798 | A | * | 4/1991  | Malta    | ..... | G10K 1/071<br>116/171   |
| 5,149,486 | A | * | 9/1992  | Baba     | ..... | G10K 13/00<br>181/167   |
| D335,830  | S | * | 5/1993  | Ross     | ..... | D10/118                 |
| D341,847  | S | * | 11/1993 | Smith    | ..... | D17/99                  |
| 5,501,363 | A | * | 3/1996  | Muller   | ..... | A47G 19/2227<br>181/177 |
| D376,625  | S | * | 12/1996 | Washburn | ..... | D10/116.1               |
| D380,016  | S | * | 6/1997  | Jaeb     | ..... | D21/483                 |
| D385,617  | S | * | 10/1997 | Fowler   | ..... | D23/213                 |
| D386,056  | S | * | 11/1997 | Streeter | ..... | D8/70                   |
| D398,200  | S | * | 9/1998  | Neadly   | ..... | D8/1                    |
| D453,305  | S | * | 2/2002  | Yang     | ..... | D10/116.1               |

(Continued)

*Primary Examiner* — Michael C Stout  
*Assistant Examiner* — Katrina N Gonzalez  
(74) *Attorney, Agent, or Firm* — Husch Blackwell LLP

(57) **CLAIM**

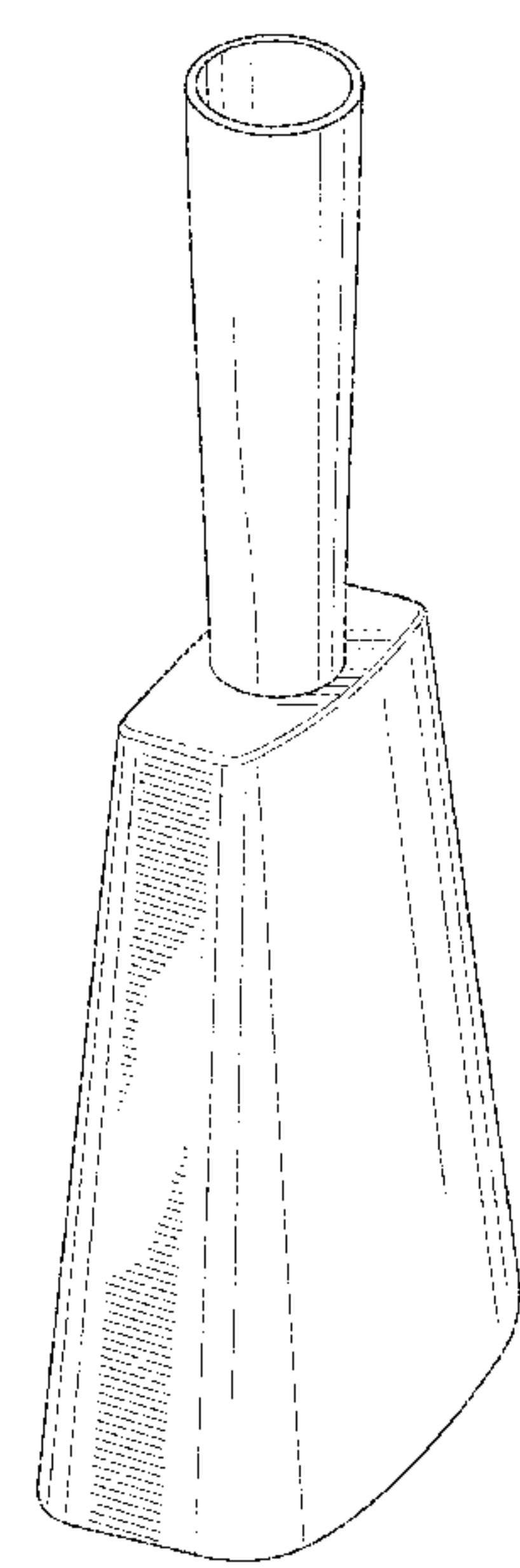
The ornamental design for a megaphone bell, as shown and described.

**DESCRIPTION**

FIG. 1 is a perspective view of a megaphone bell showing my new design;  
FIG. 2 is a front elevation view thereof;  
FIG. 3 is a right side elevation view thereof, the left side being a mirror image;  
FIG. 4 is a top plan view thereof; and,  
FIG. 5 is a bottom plan view thereof.  
The dash-dash type broken lines shown in the drawing views are included for the purpose of showing environmental subject matter that forms no part of the claimed design.

**1 Claim, 3 Drawing Sheets**

- (56) **References Cited**  
U.S. PATENT DOCUMENTS
- D6,780 S \* 7/1873 Cone ..... D10/116.1
- 236,652 A \* 1/1881 Torrey ..... G10K 1/071  
116/171
- 386,288 A \* 7/1888 Barton ..... G10K 1/071  
116/171
- 1,339,404 A \* 5/1920 Maltz ..... G10K 13/00  
369/163
- 1,362,348 A \* 12/1920 Patelis ..... G10K 1/071  
116/150
- D59,887 S \* 12/1921 Freeman ..... D2/892



(56)

**References Cited**

U.S. PATENT DOCUMENTS

D471,926 S \* 3/2003 Allen ..... D16/135  
D502,056 S \* 2/2005 Bakti ..... D7/507  
D612,312 S \* 3/2010 Davidson ..... D12/194  
D671,810 S \* 12/2012 Densmore ..... D8/14  
D689,119 S \* 9/2013 Lochen ..... D17/10  
D689,121 S \* 9/2013 Lochen ..... D17/10  
D689,122 S \* 9/2013 Lochen ..... D17/10  
D689,123 S \* 9/2013 Lochen ..... D17/10  
D689,124 S \* 9/2013 Lochen ..... D17/10  
D689,125 S \* 9/2013 Lochen ..... D17/10  
D746,901 S \* 1/2016 Nibbe ..... D17/22  
D778,706 S \* 2/2017 Atkins ..... D8/303  
D802,390 S \* 11/2017 Walbroel ..... D8/40  
D810,513 S \* 2/2018 McCoy ..... D7/514  
D821,997 S \* 7/2018 Oshima ..... D14/187  
2009/0235858 A1 \* 9/2009 Yuan ..... G10K 1/071  
116/171  
2018/0153322 A1 \* 6/2018 Stuart ..... A47G 19/2227

\* cited by examiner

**FIG. 1**

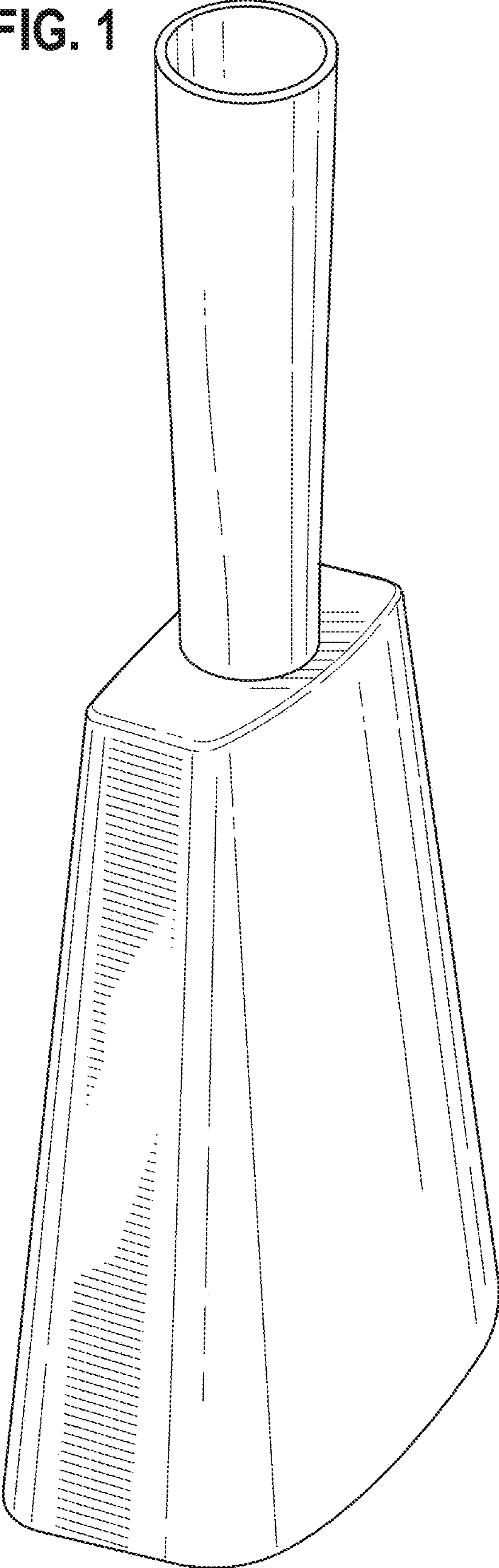


FIG. 2

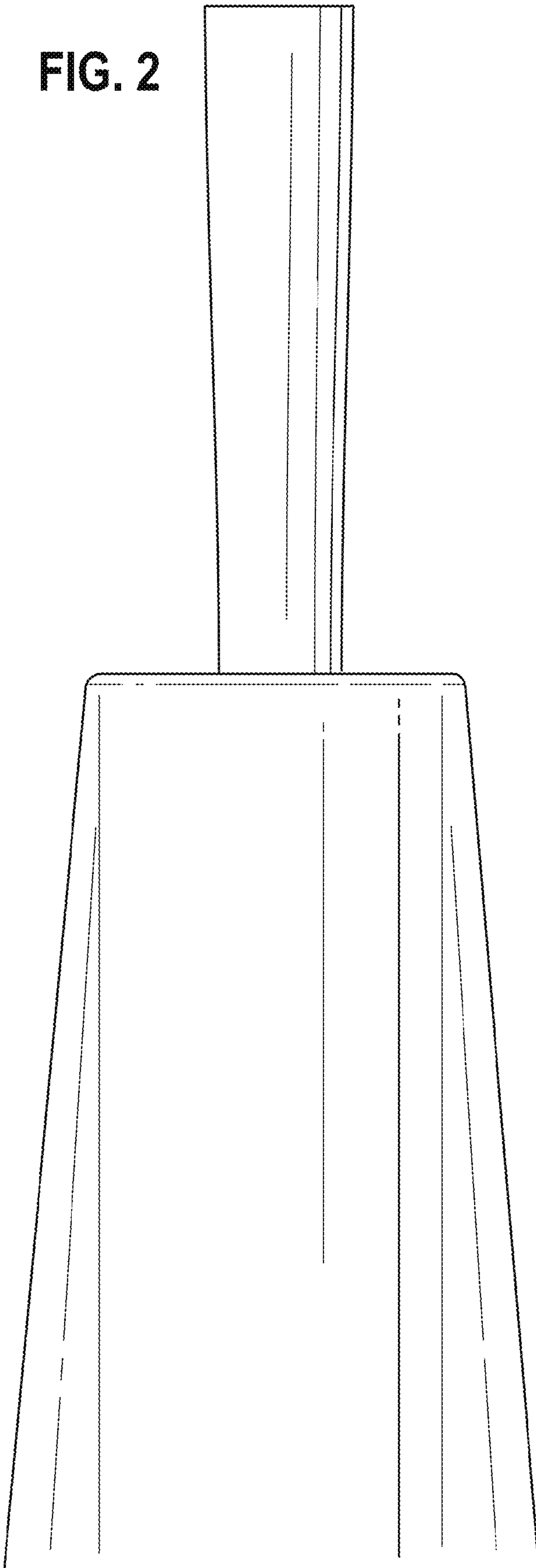


FIG. 3

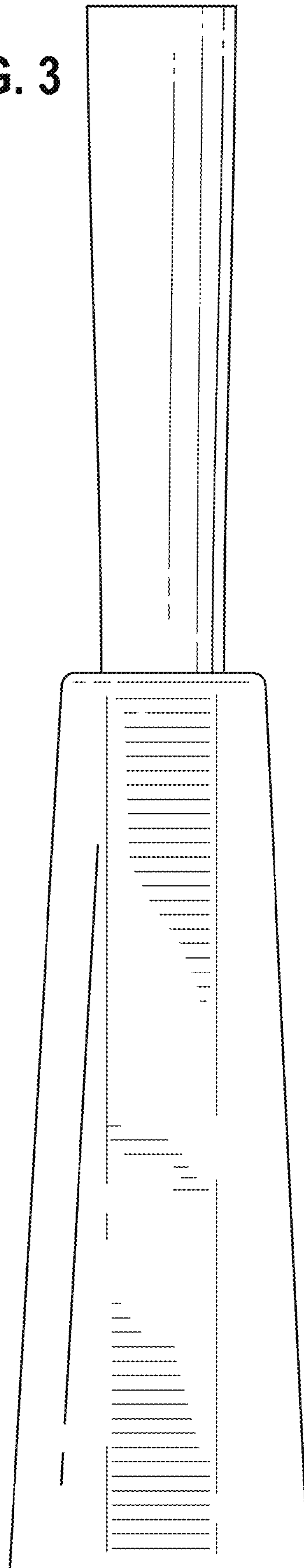


FIG. 4

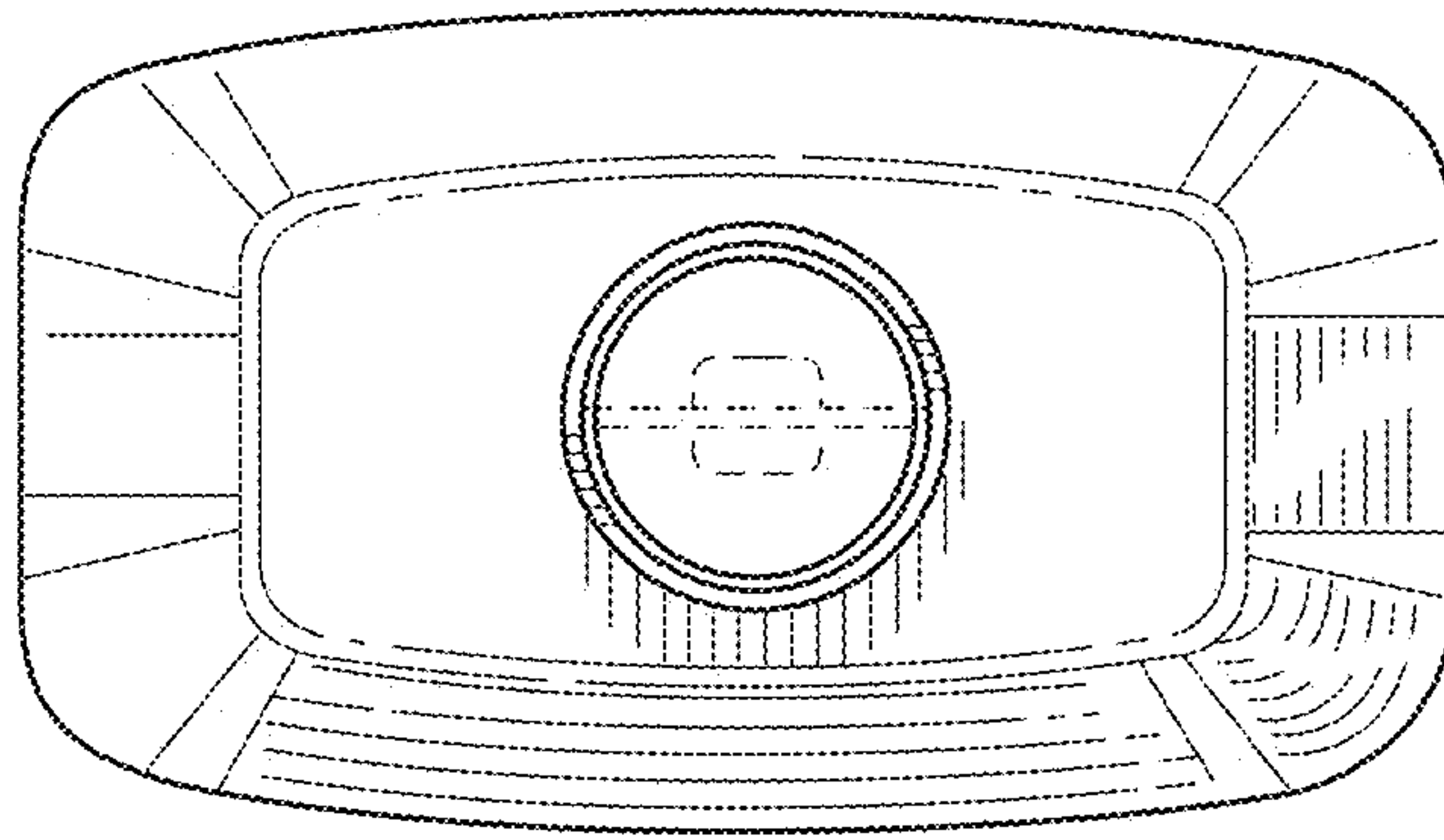


FIG. 5

