



US00D885953S

(12) **United States Design Patent**
Naphthine

(10) **Patent No.:** **US D885,953 S**

(45) **Date of Patent:** **** Jun. 2, 2020**

(54) **SECURITY TAG**

(71) Applicant: **Sekura Global LLP**, Colchester (GB)

(72) Inventor: **Chris Naphthine**, Colchester (GB)

(73) Assignee: **SEKURA GLOBAL LLP**, Colchester (GB)

(**) Term: **15 Years**

(21) Appl. No.: **29/681,727**

(22) Filed: **Feb. 27, 2019**

(30) **Foreign Application Priority Data**

Feb. 4, 2019 (GB) 6053754

Feb. 4, 2019 (GB) 6053755

(51) **LOC (12) Cl.** **10-05**

(52) **U.S. Cl.**
USPC **D10/106.91**

(58) **Field of Classification Search**
USPC D10/106.9, 106.91
CPC E05B 73/0017
See application file for complete search history.

(56) **References Cited**

U.S. PATENT DOCUMENTS

D706,662 S * 6/2014 Wu D10/106.91

D714,670 S * 10/2014 Wu D10/106.9

2007/0067971 A1 * 3/2007 Nguyen E05B 73/0017
24/704.1

FOREIGN PATENT DOCUMENTS

GB 2563249 A 12/2018

* cited by examiner

Primary Examiner — George D. Kirschbaum

(74) *Attorney, Agent, or Firm* — Panitch Schwarze
Belisario & Nadel LLP

(57) **CLAIM**

The ornamental design for a security tag, as shown and described.

DESCRIPTION

FIG. 1 is a top right perspective view of a security tag in accordance with a first embodiment of my new design, in a collapsed mode;

FIG. 2 is a top right perspective view of the security tag of FIG. 1, in an expanded mode;

FIG. 3 is a top plan view of FIG. 1 or FIG. 2;

FIG. 4 is a right-side elevational view of FIG. 1 (left-side elevational view is mirror image);

FIG. 5 is a right-side elevational view of FIG. 2 (left-side elevational view is mirror image);

FIG. 6 is a rear elevational view of FIG. 1;

FIG. 7 is a rear elevational view of FIG. 2;

FIG. 8 is a top right perspective view of a security tag in accordance with a second embodiment of my new design, in a collapsed mode;

FIG. 9 is a top plan view of FIG. 8;

FIG. 10 is a bottom plan view of FIG. 8 (and also FIG. 12);

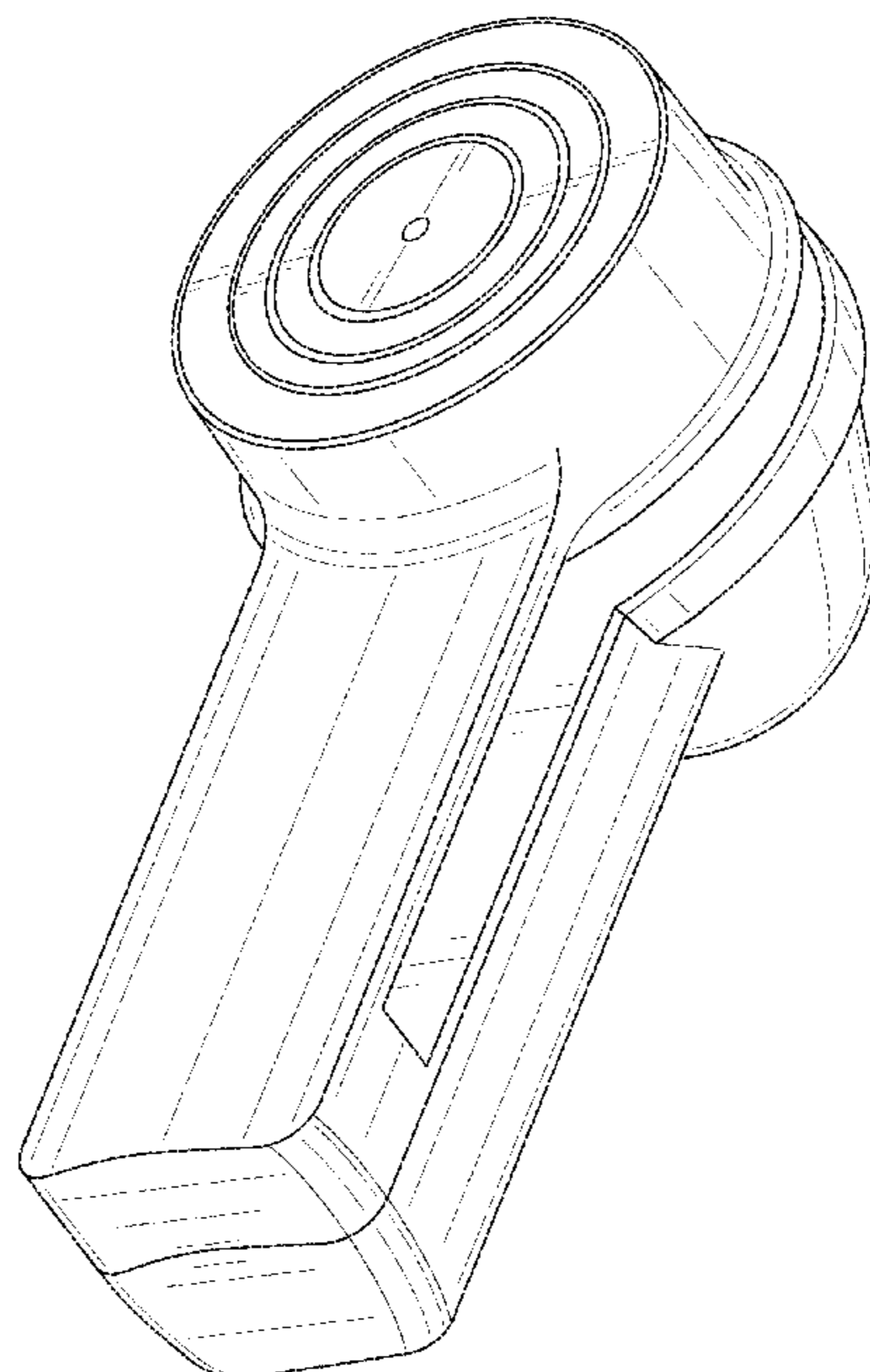
FIG. 11 is a right-side elevational view of FIG. 8 (left-side elevational view is mirror image);

FIG. 12 is a right-side elevational view of the security tag of FIG. 8, in an expanded mode (left-side elevational view is mirror image);

FIG. 13 is a rear elevational view of FIG. 8; and,

FIG. 14 is a rear elevational view of FIG. 8, in an expanded mode (as in FIG. 12).

1 Claim, 14 Drawing Sheets



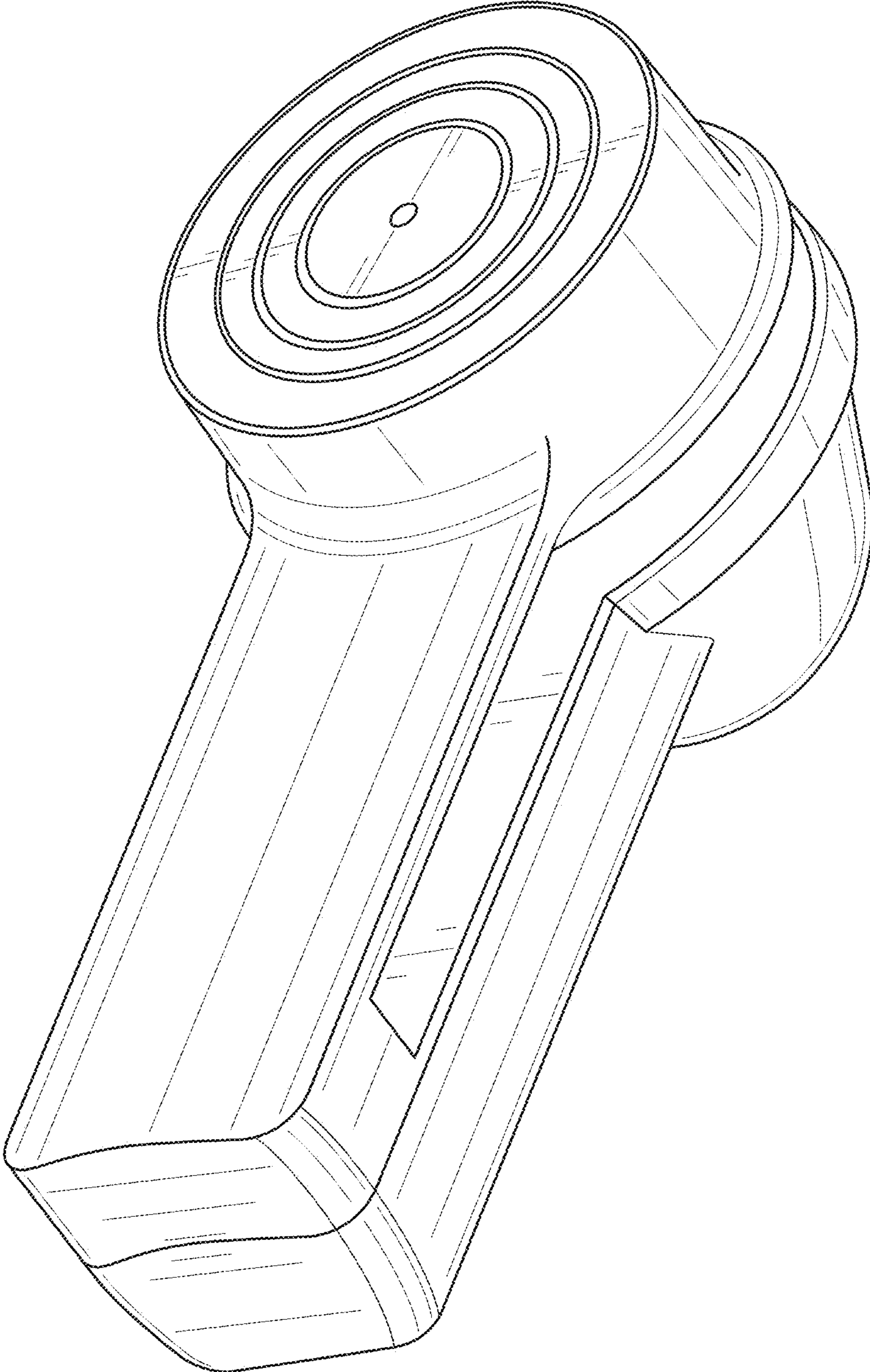


FIG. 1

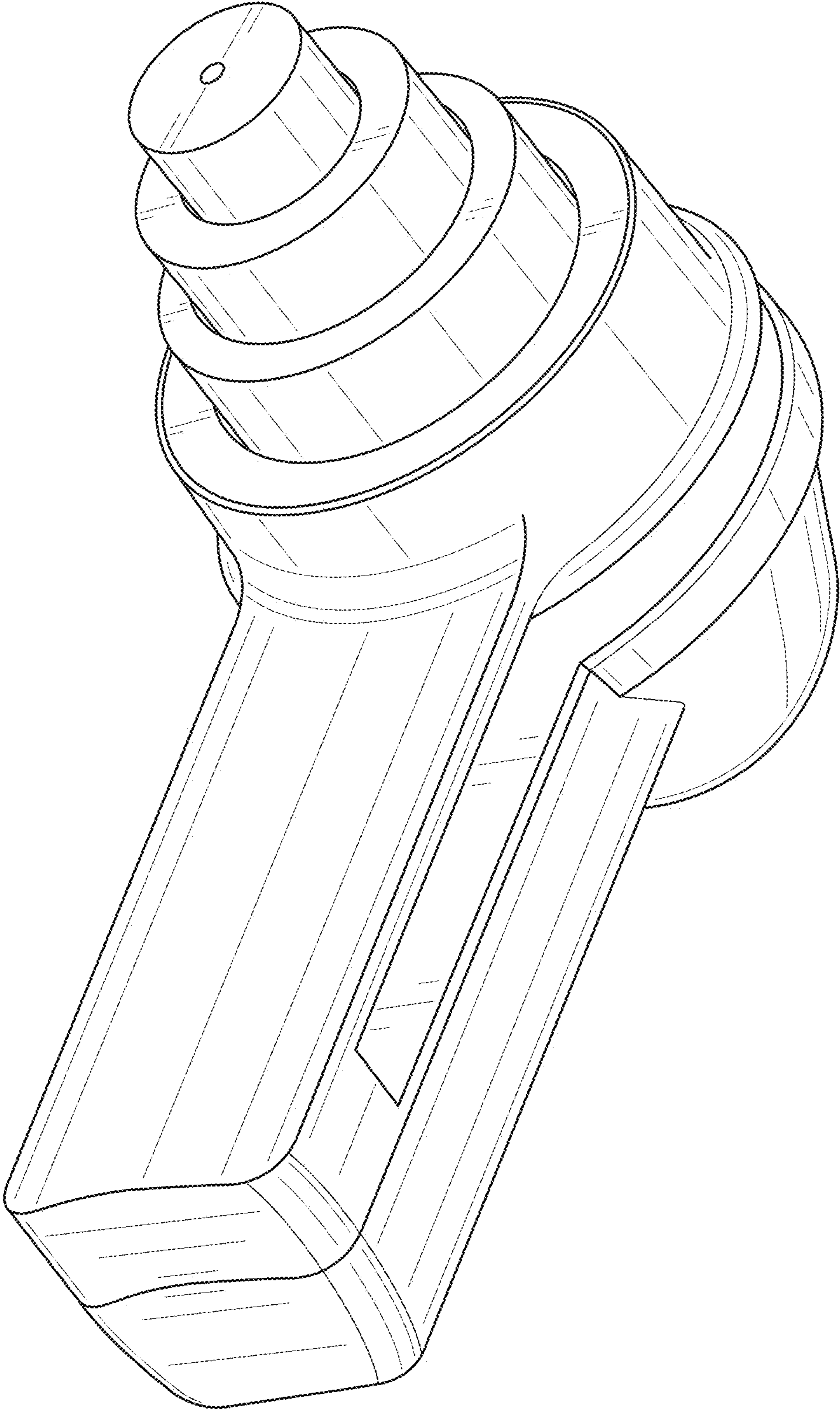


FIG. 2

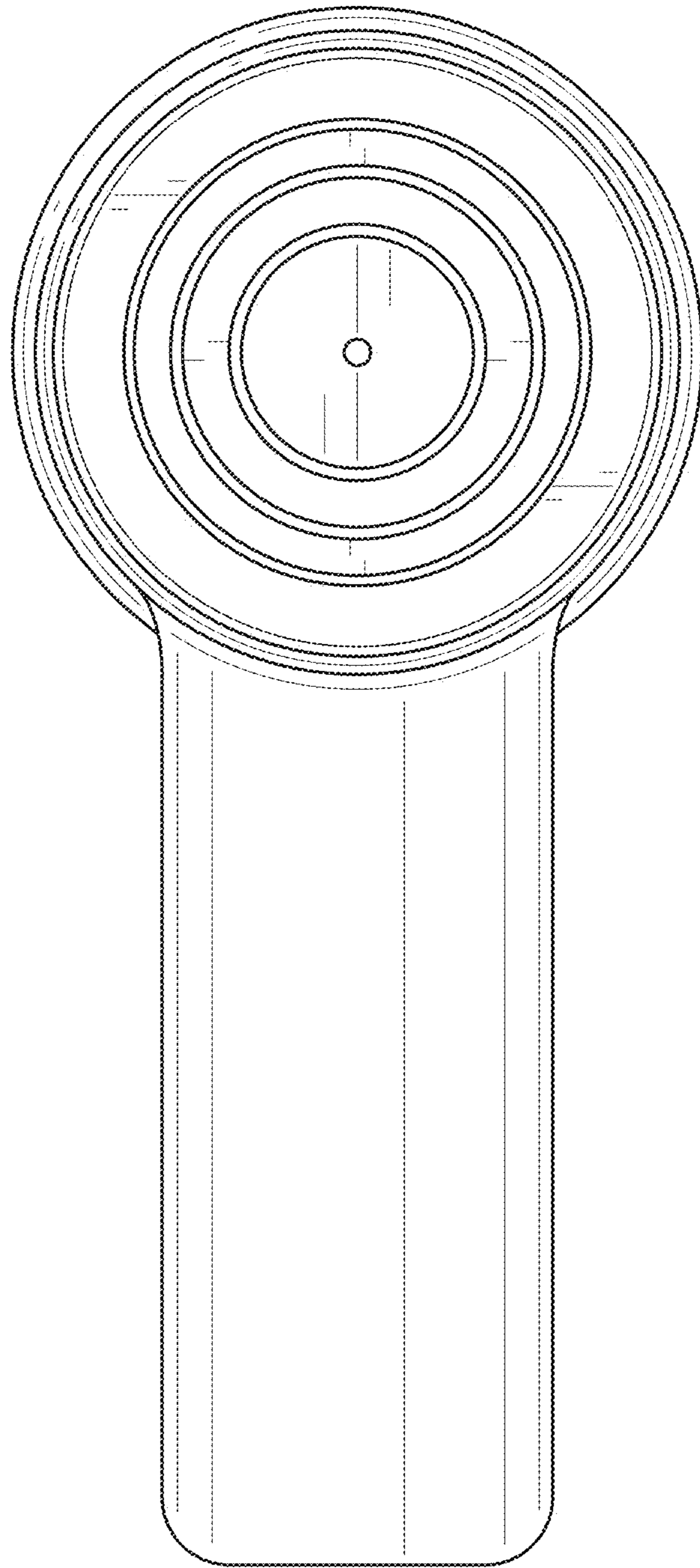


FIG. 3

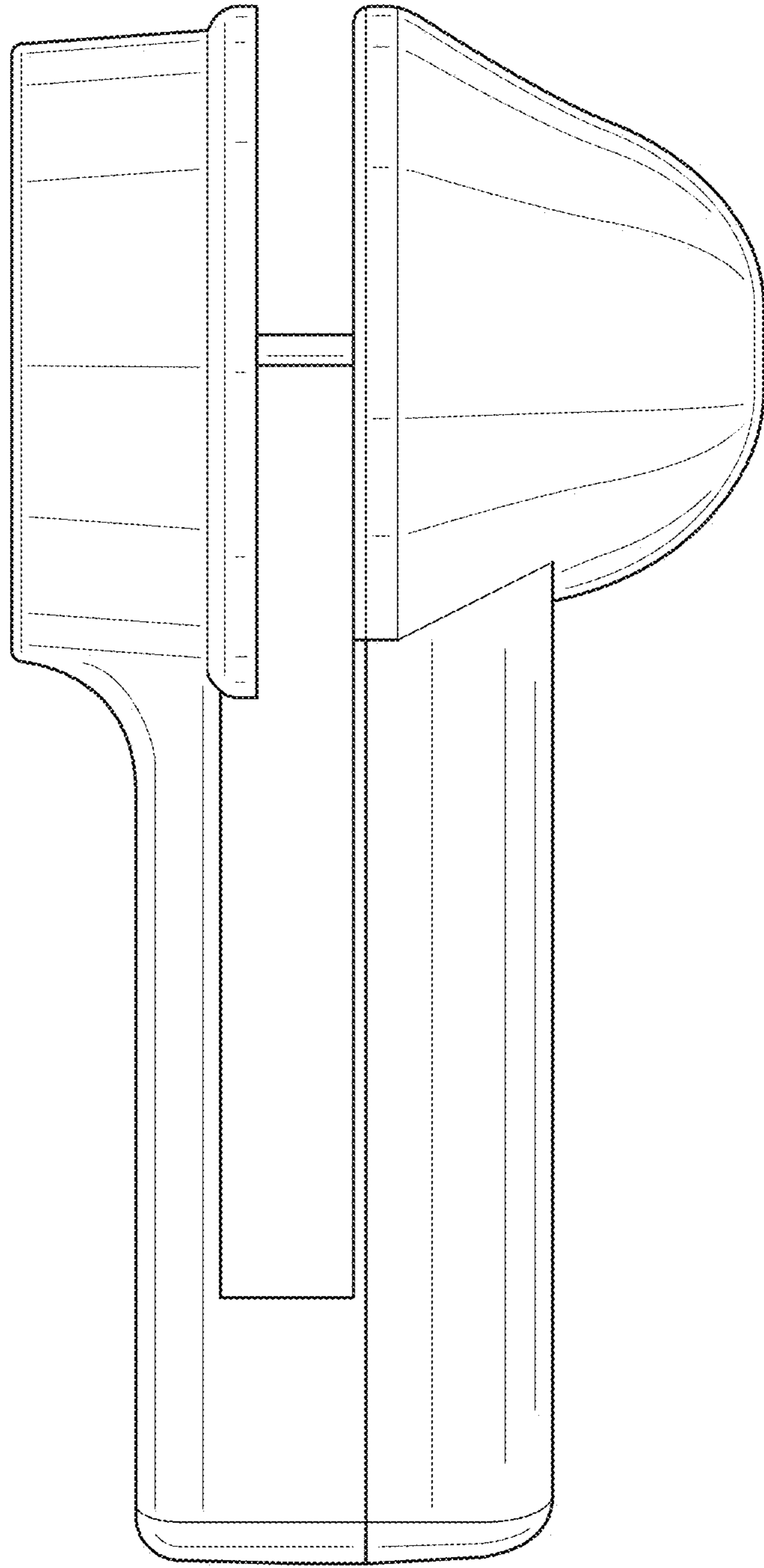


FIG. 4

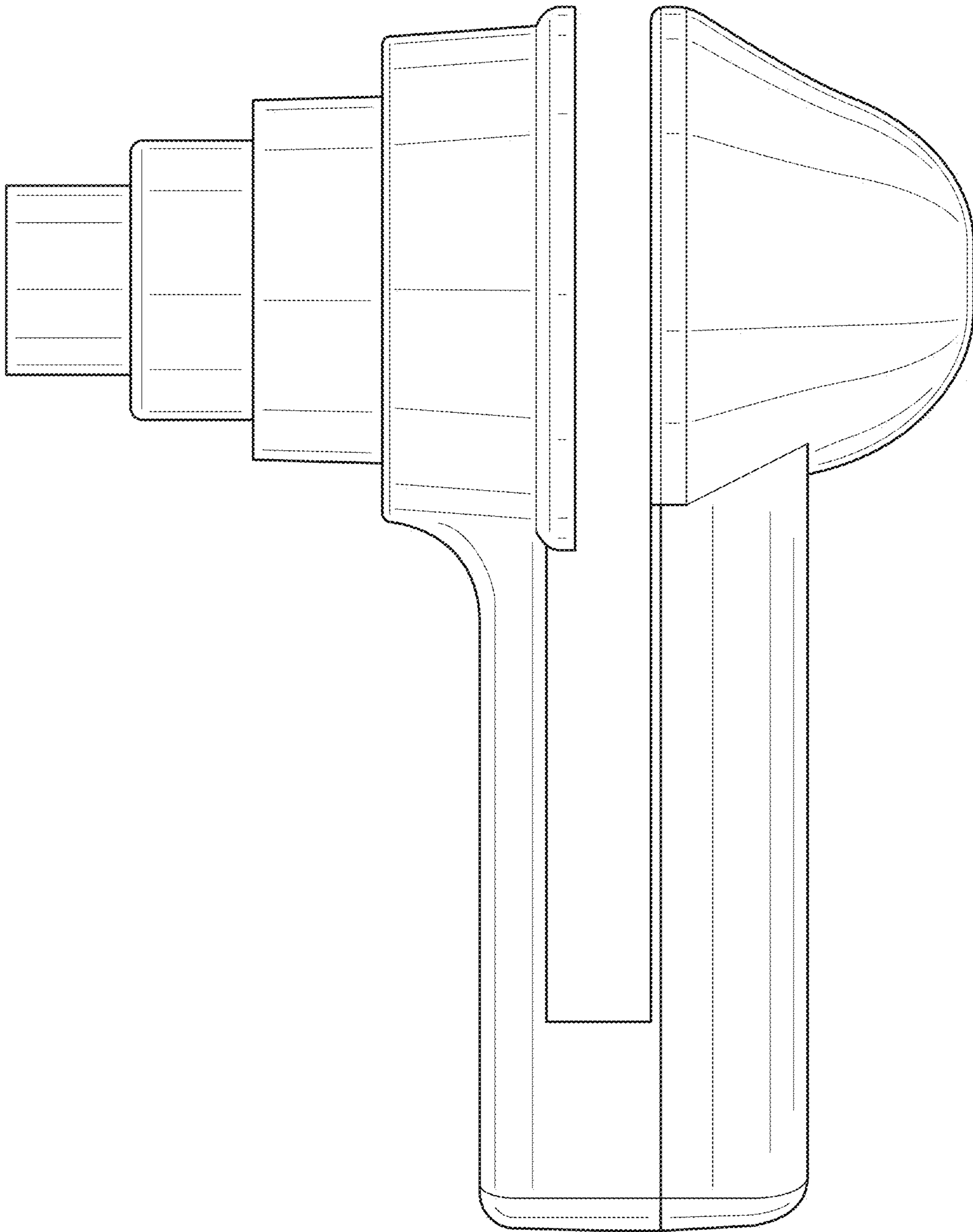


FIG. 5

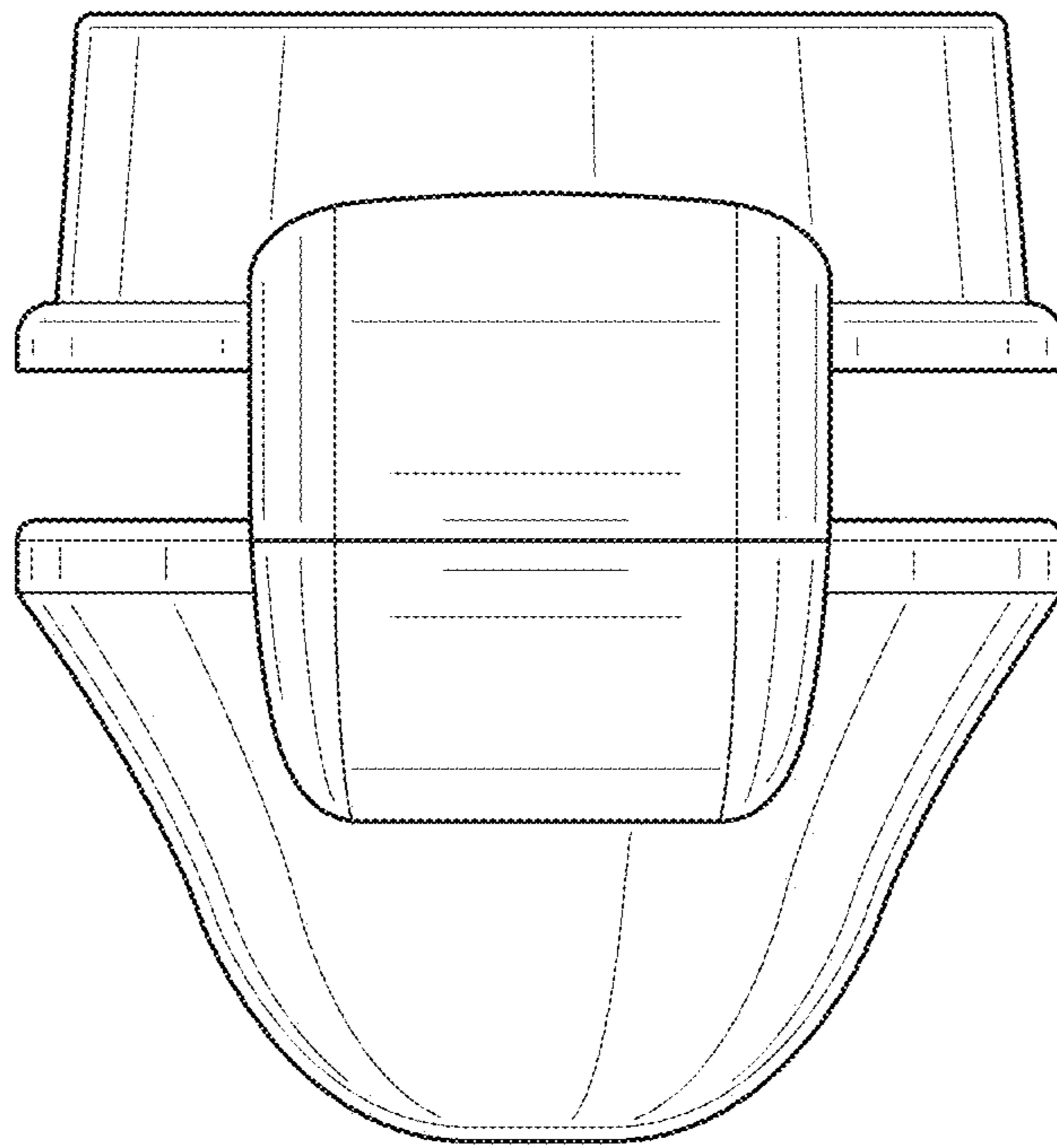


FIG. 6

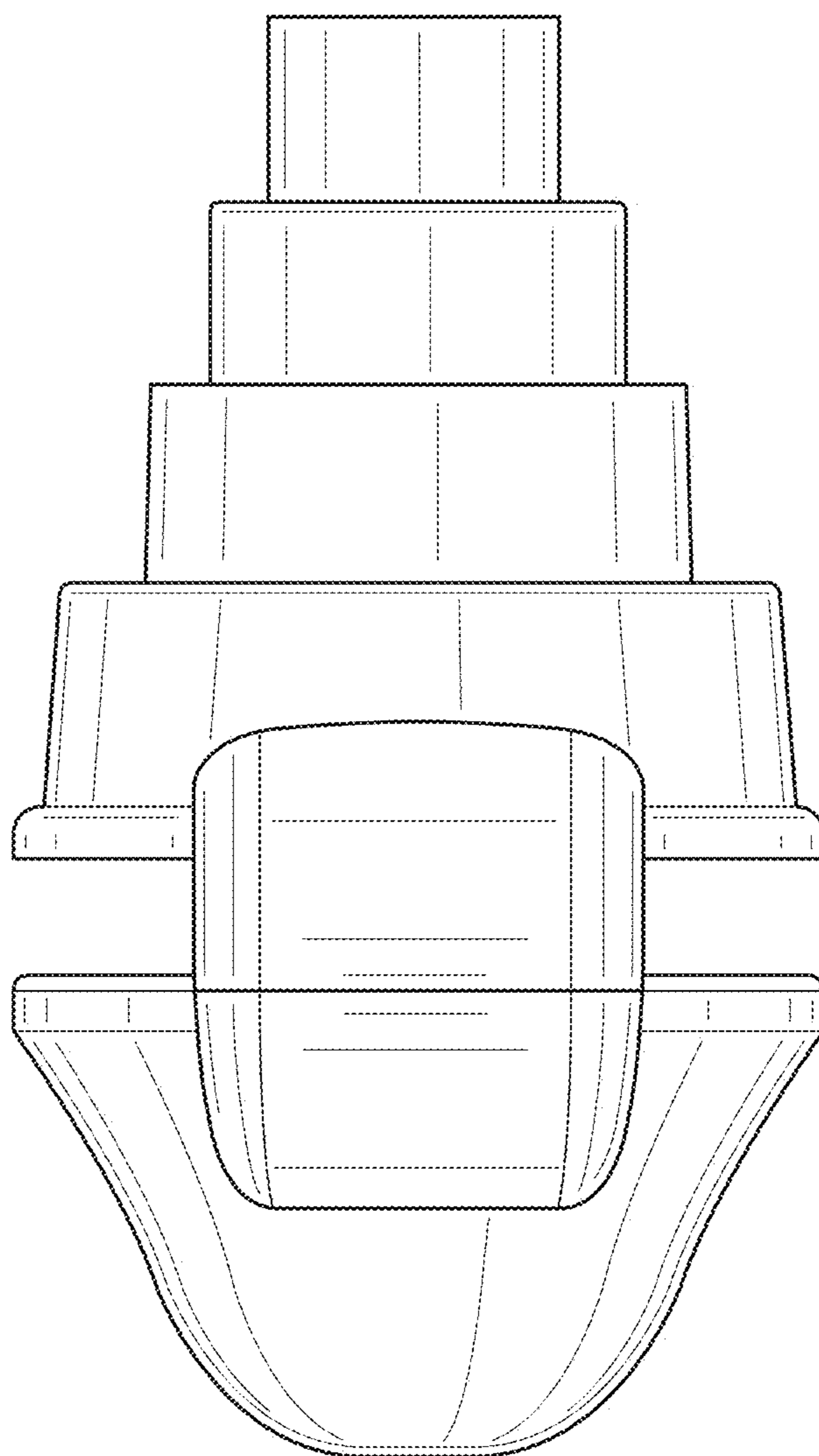


FIG. 7

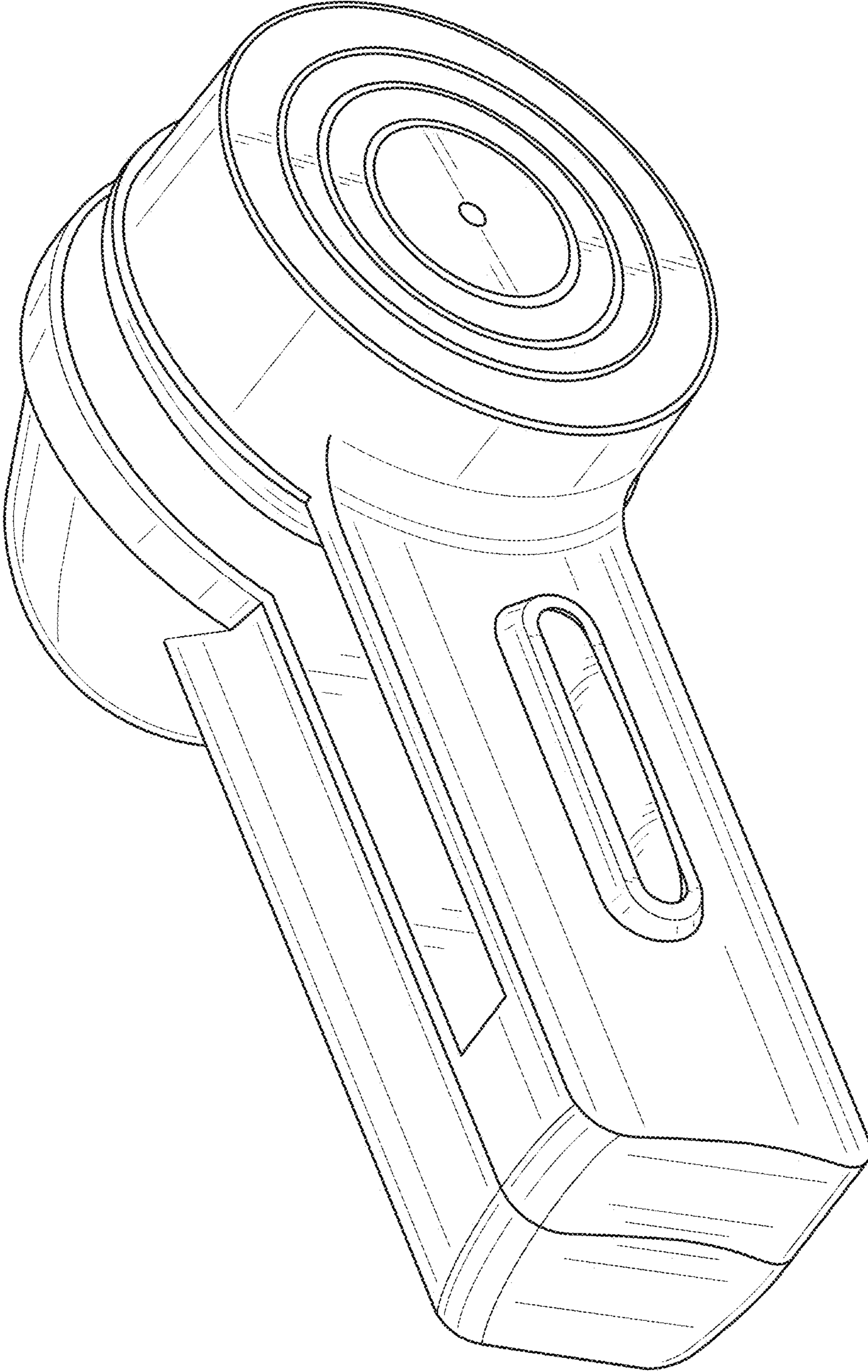


FIG. 8

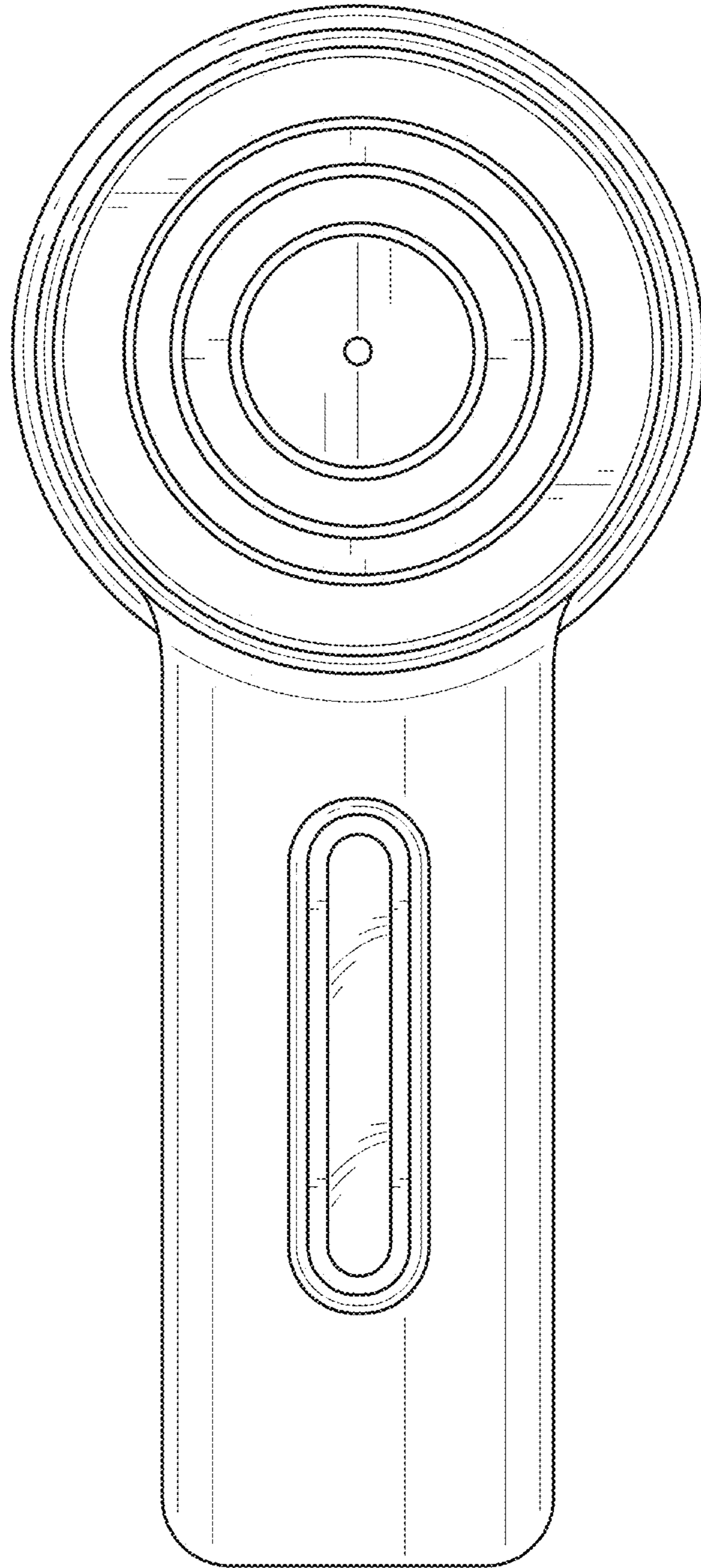


FIG. 9

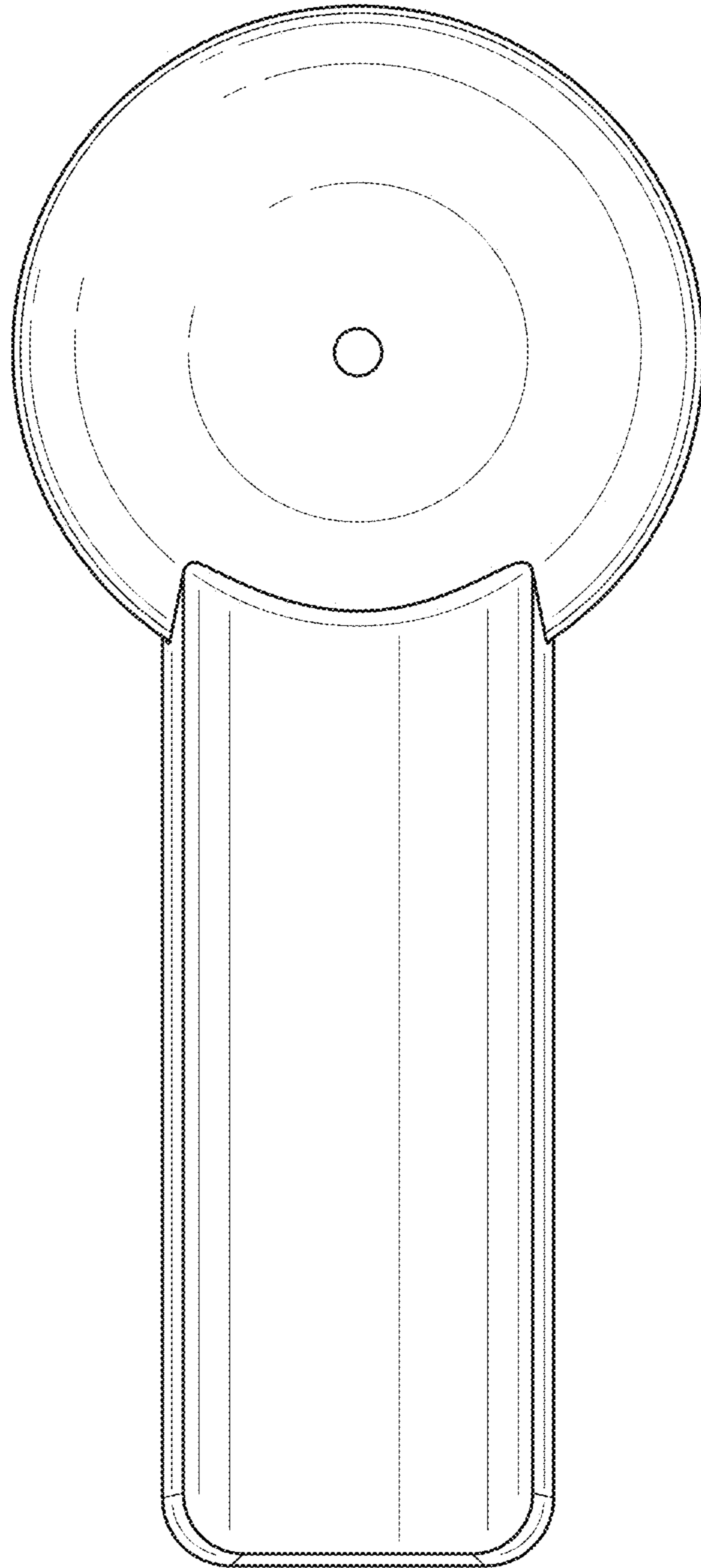


FIG. 10

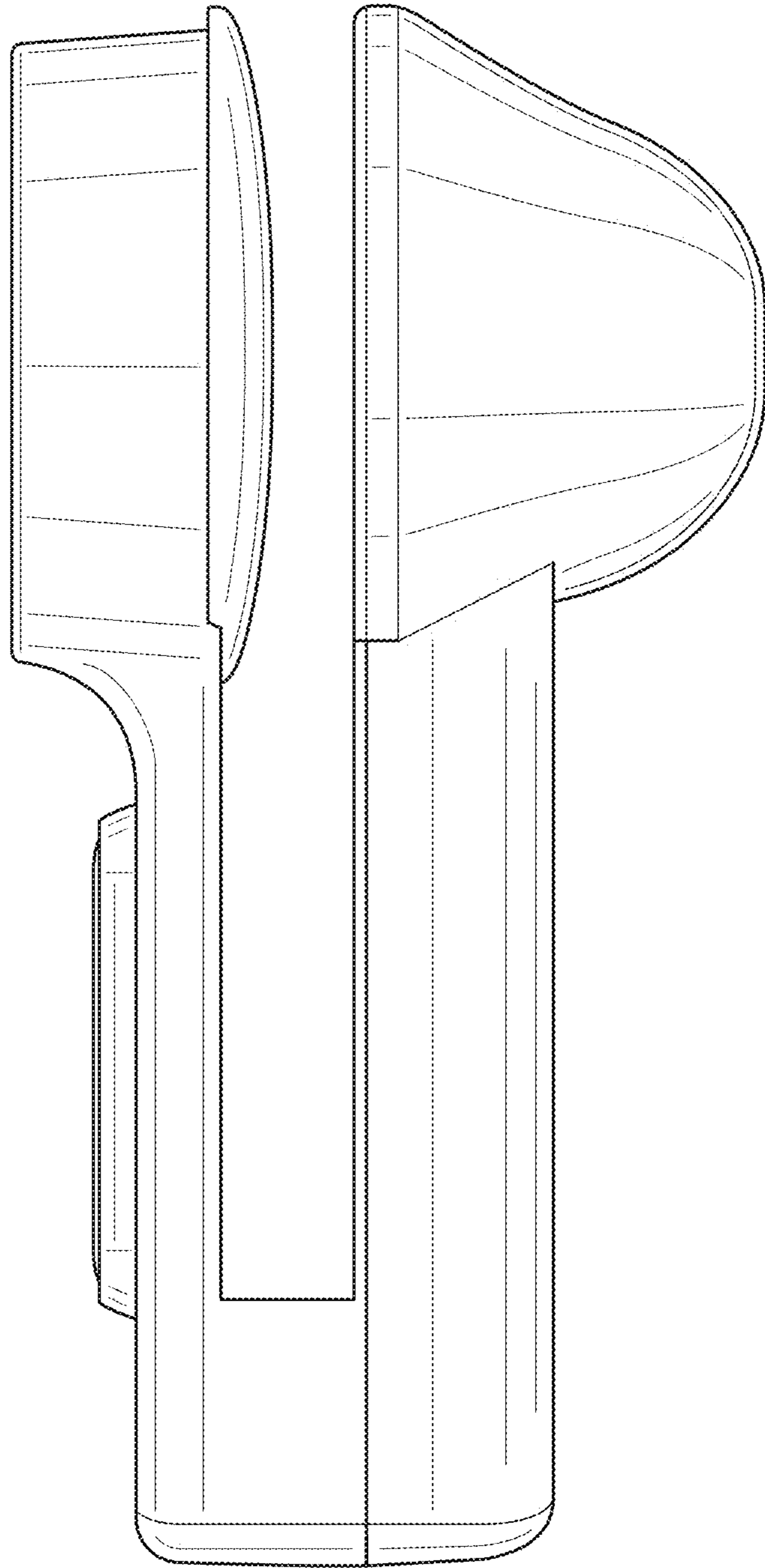


FIG. 11

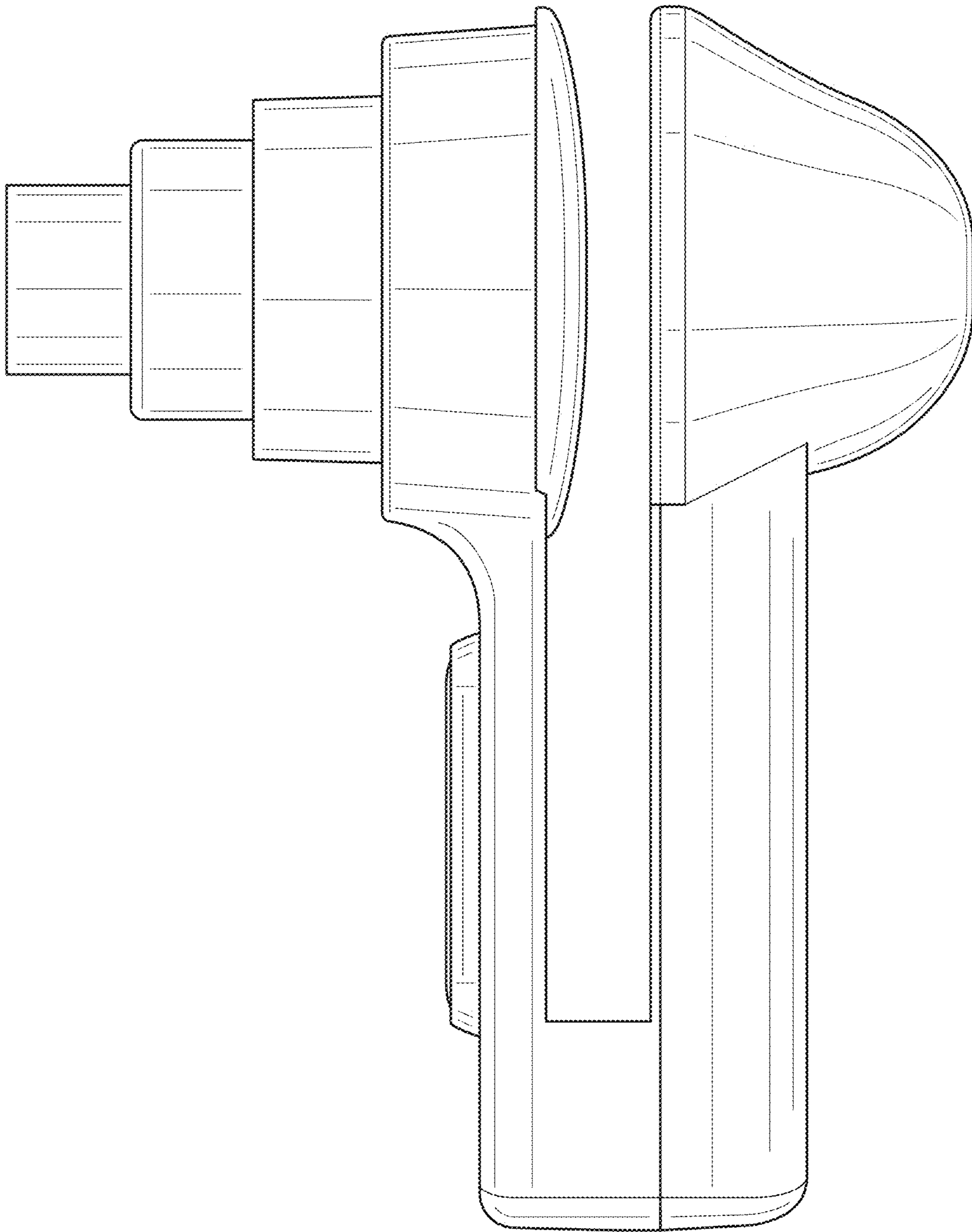


FIG. 12

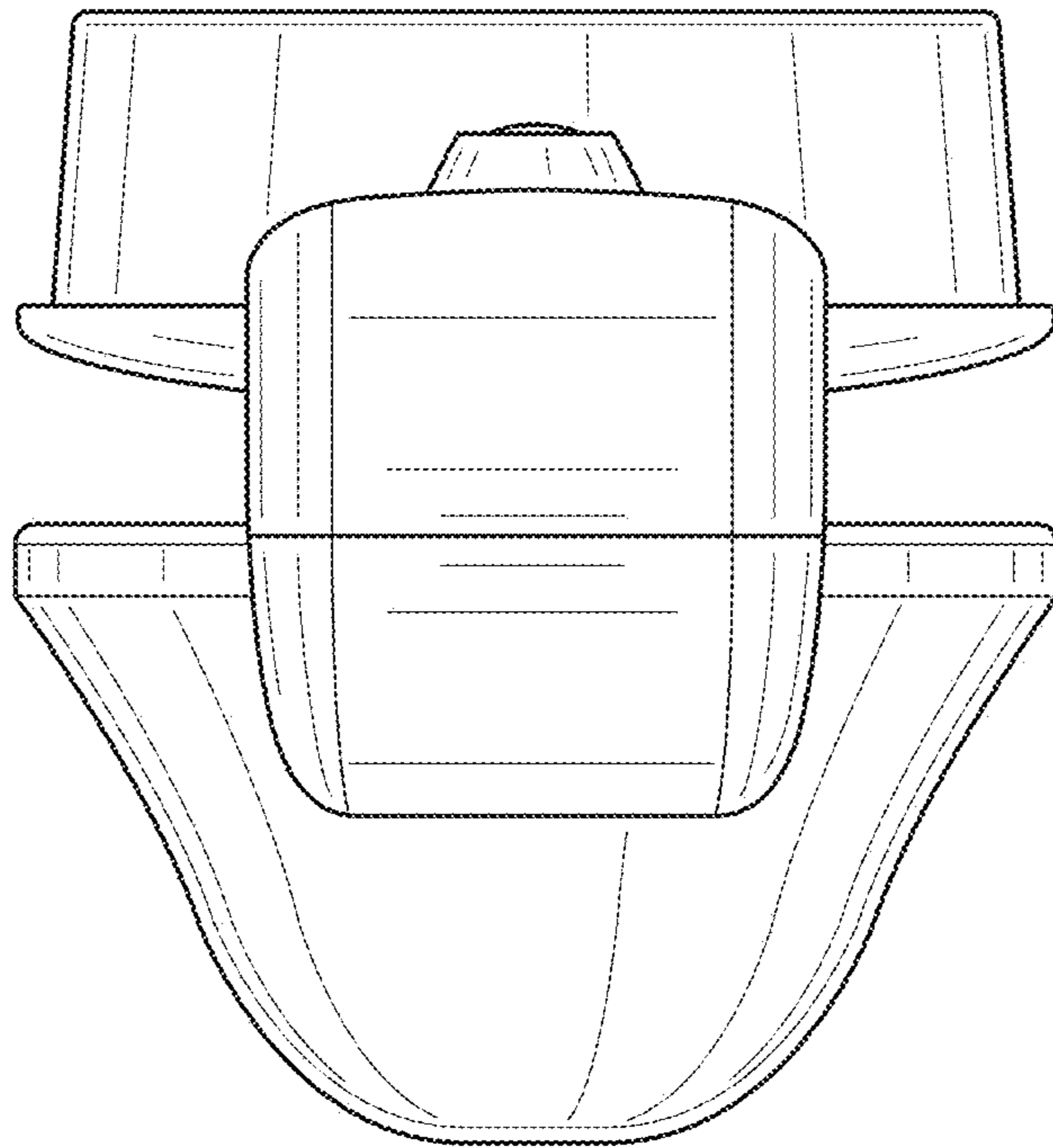


FIG. 13

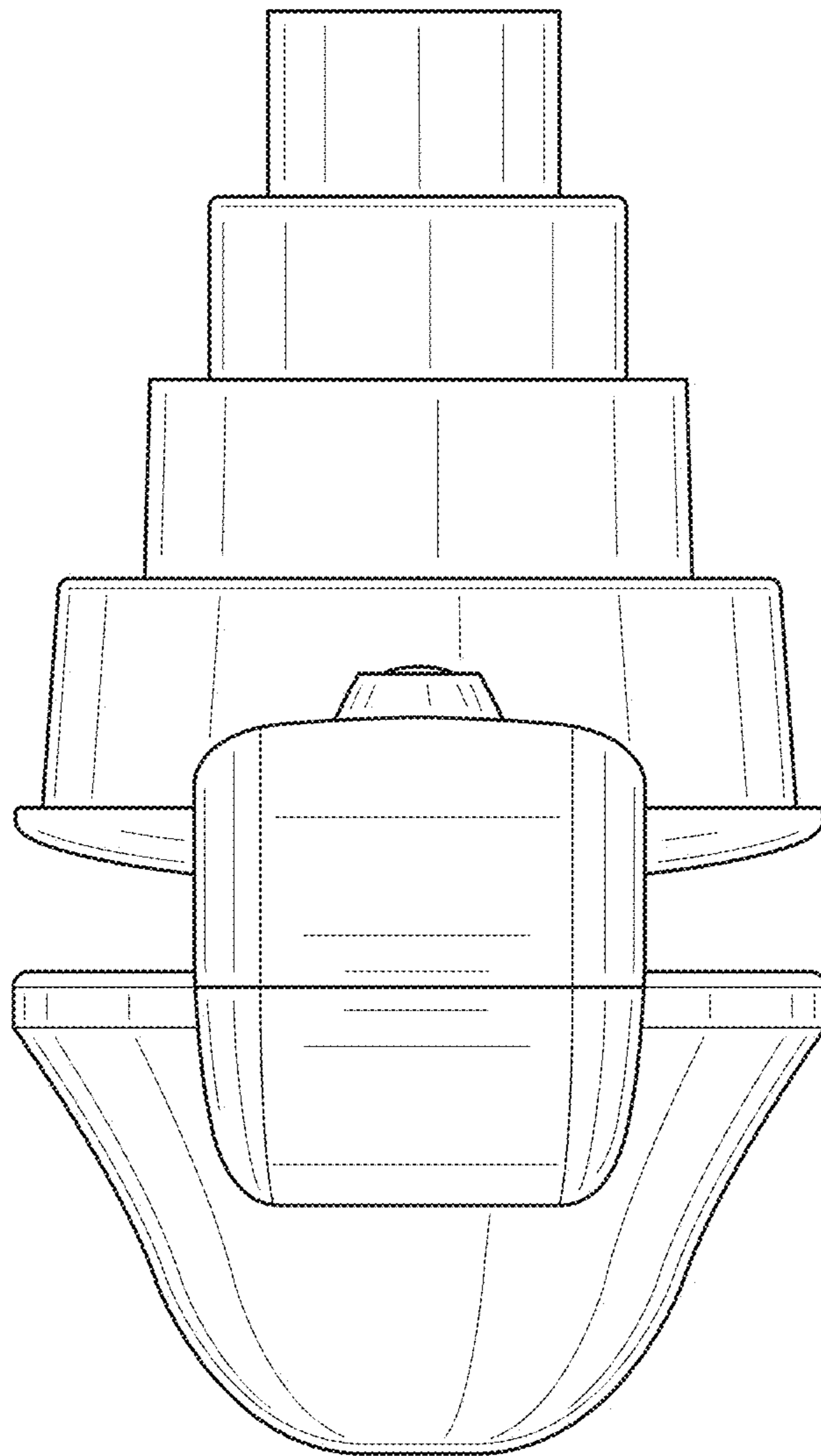


FIG. 14