



US00D885948S

(12) **United States Design Patent**
Nogueira et al.

(10) **Patent No.:** **US D885,948 S**
(45) **Date of Patent:** **** Jun. 2, 2020**

- (54) **BARREL MONITOR**
- (71) Applicant: **WATGRID LDA.**, Aveiro (PT)
- (72) Inventors: **Rogério Nogueira**, Aveiro (PT); **Lúcia Bilro**, Aveiro (PT); **Fábio Gonçalves**, Aveiro (PT); **Pedro Costa**, Aveiro (PT); **Ricardo Pereira**, Aveiro (PT)
- (73) Assignee: **WATGRID LDA.** (PT)
- (**) Term: **15 Years**
- (21) Appl. No.: **29/670,899**
- (22) Filed: **Nov. 20, 2018**
- (51) **LOC (12) Cl.** **10-04**
- (52) **U.S. Cl.**
USPC **D10/81**
- (58) **Field of Classification Search**
USPC D10/81
CPC G01N 33/146; G01N 27/4045; G01N 2033/4977; C12C 11/003; C12G 1/0203; C12G 1/005
See application file for complete search history.

- 6,579,432 B2 * 6/2003 Mallory G01N 27/4045 204/409
- 7,556,934 B2 * 7/2009 Ragless G01N 7/04 422/417
- 10,451,455 B2 * 10/2019 Sweet G01D 21/02

* cited by examiner

Primary Examiner — Antoine Duval Davis
(74) *Attorney, Agent, or Firm* — McAndrews, Held & Malloy, Ltd.

(57) **CLAIM**

The ornamental design for a barrel monitor, as shown and described.

DESCRIPTION

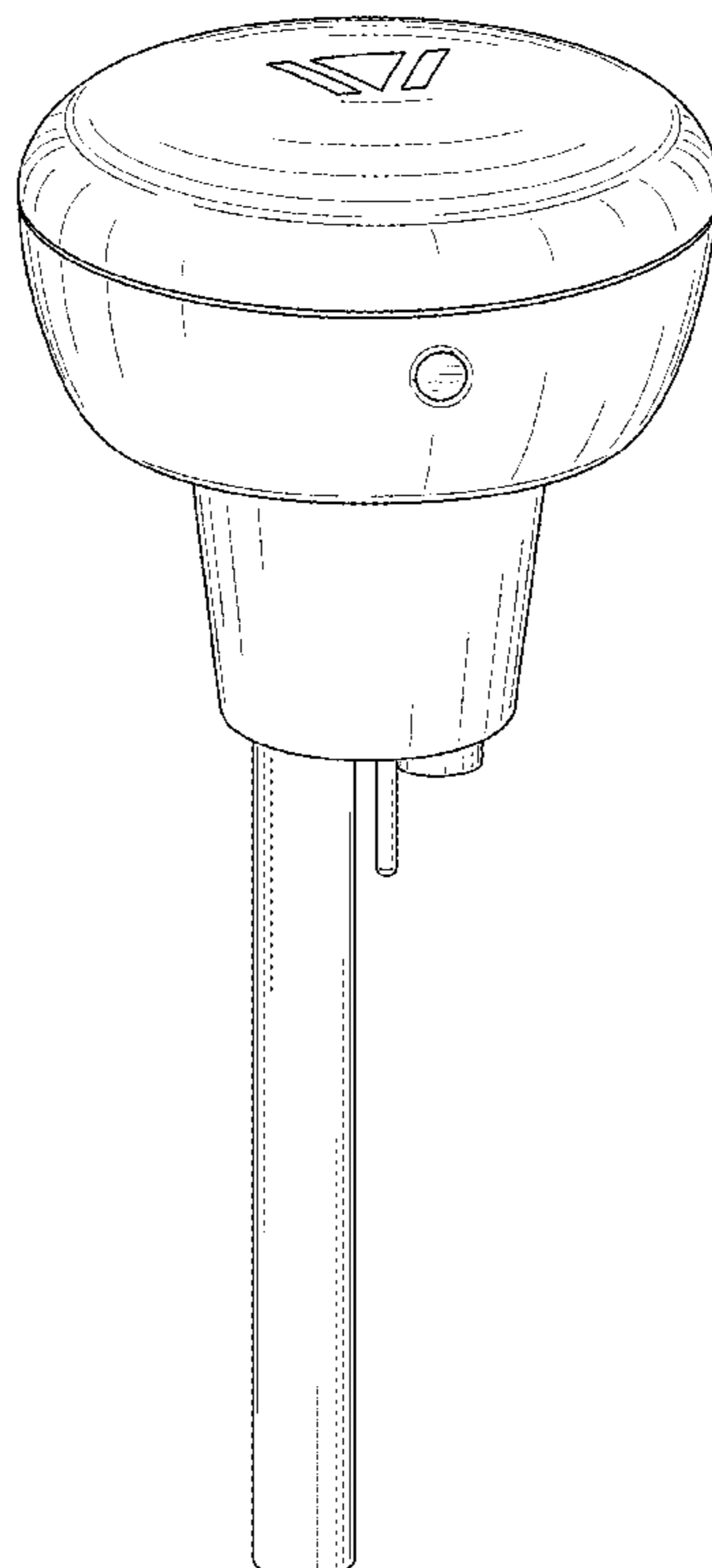
FIG. 1 is a front perspective view of a barrel monitor showing our new design;
 FIG. 2 is a front elevation view thereof;
 FIG. 3 is a rear elevation view thereof;
 FIG. 4 is a right side elevation view thereof;
 FIG. 5 is a left side elevation view thereof;
 FIG. 6 is a top plan view thereof;
 FIG. 7 is a bottom plan view thereof;
 FIG. 8 is a top perspective view thereof, showing the bottom portion of the barrel monitor separate from the top portion for clarity of illustration; and,
 FIG. 9 is a front elevation view thereof, showing a barrel to provide example environment.
 The dashed broken line showing of a barrel in FIG. 9 is for the purpose of illustrating environmental structure that forms no part of the claimed design. The remaining dashed broken lines in the figures illustrate portions of the barrel monitor that form no part of the claimed design.

(56) **References Cited**

U.S. PATENT DOCUMENTS

- 5,284,566 A * 2/1994 Cuomo G01N 27/4045 204/412
- 6,305,214 B1 * 10/2001 Schattke G01N 27/4045 204/412

1 Claim, 6 Drawing Sheets



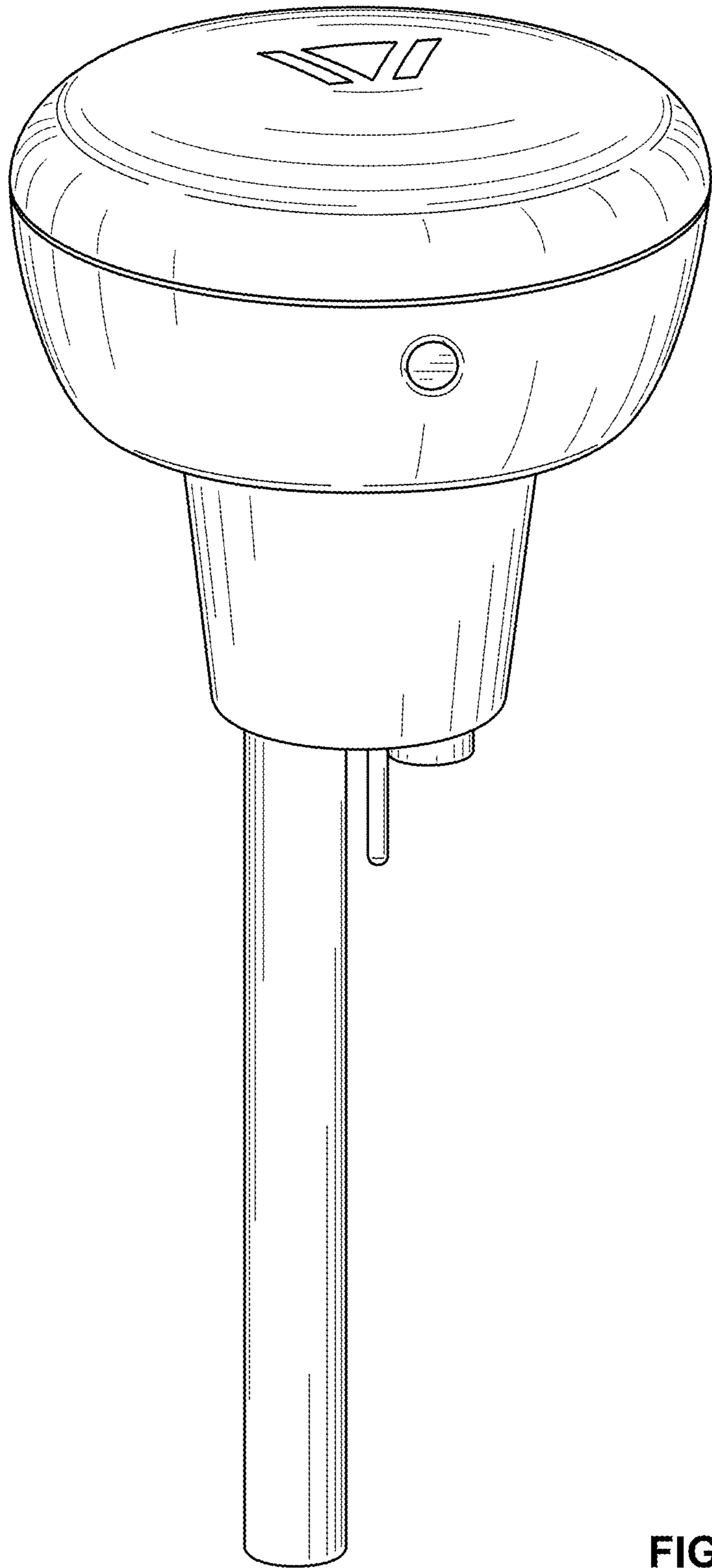


FIG. 1

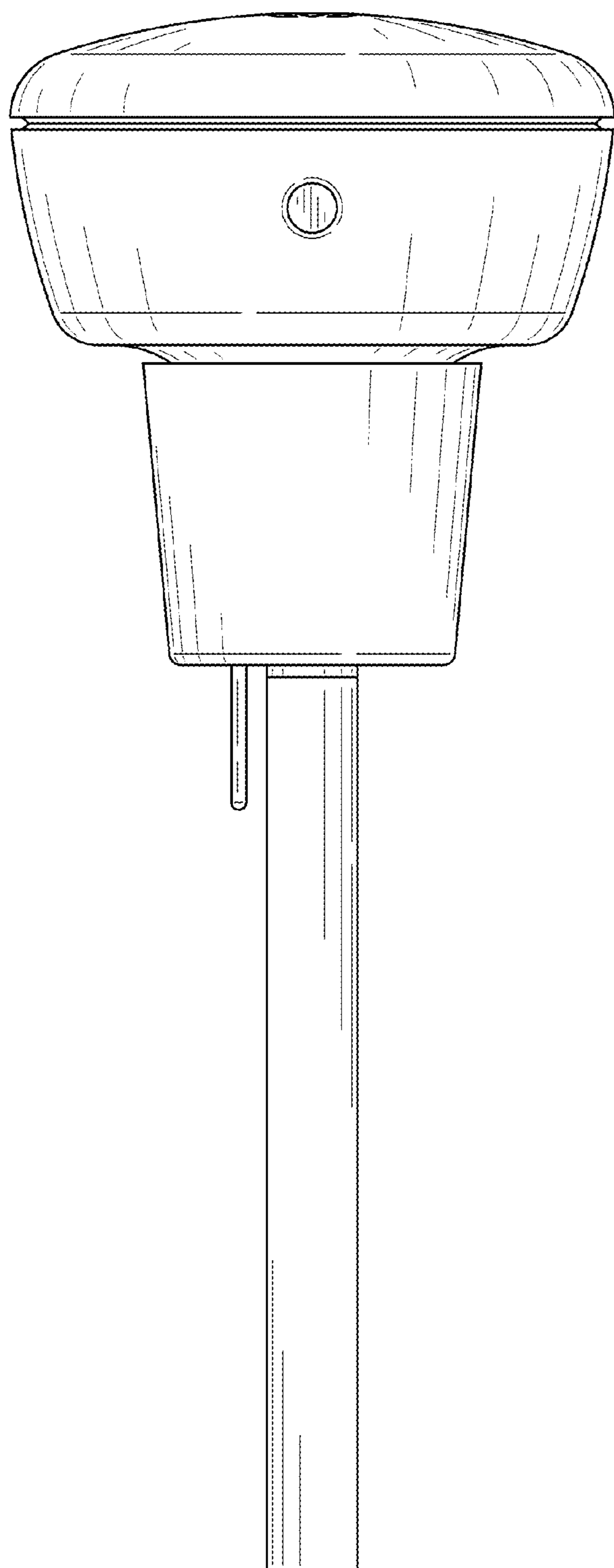


FIG. 2

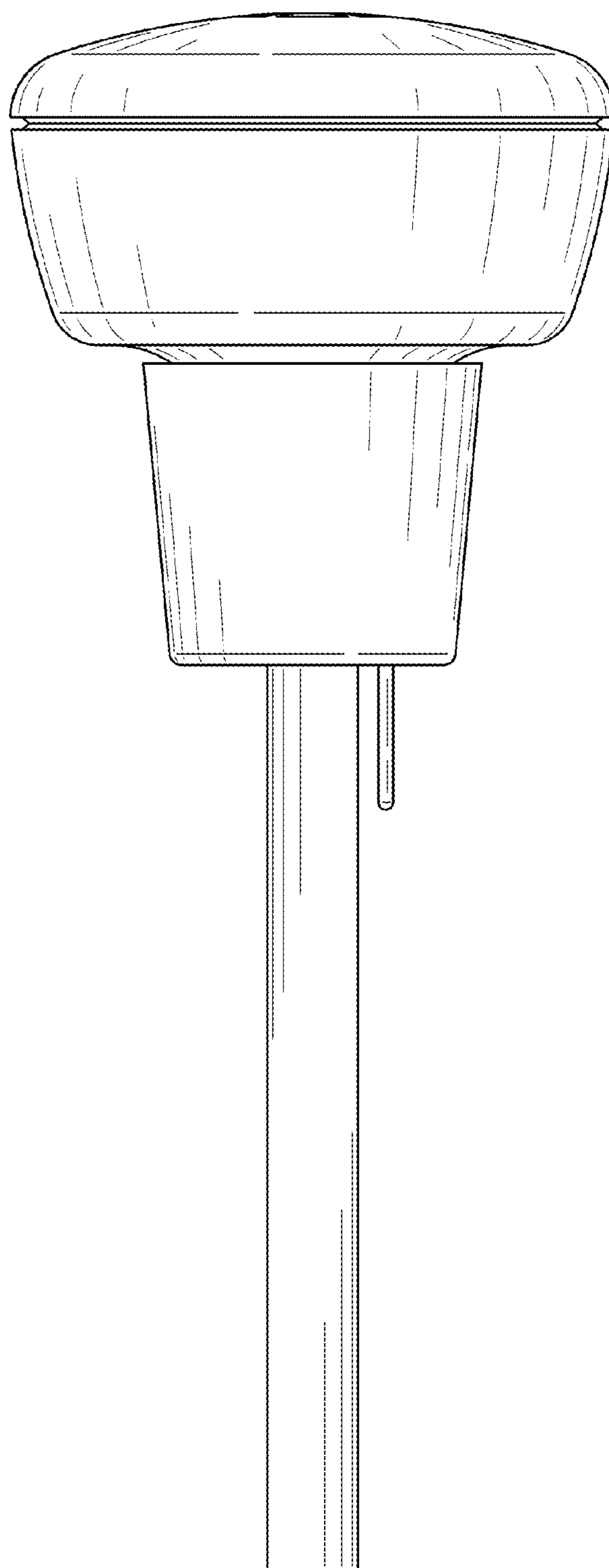


FIG. 3

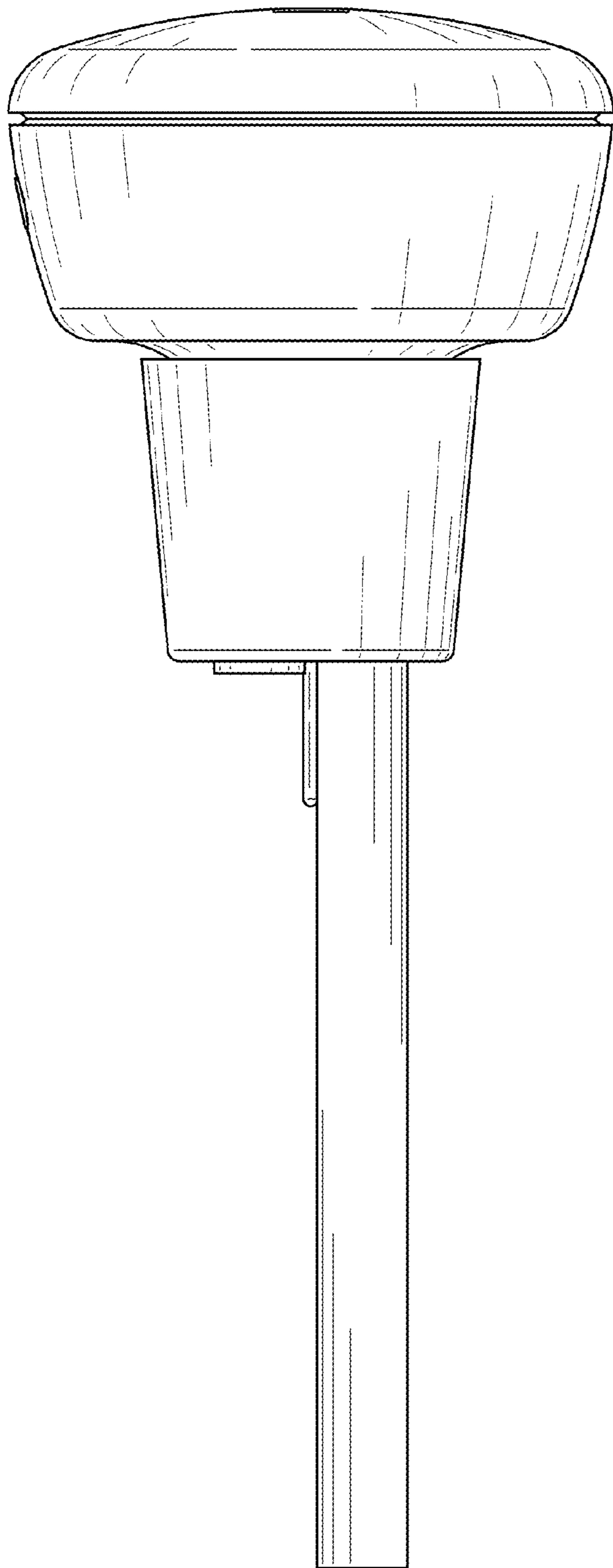


FIG. 4

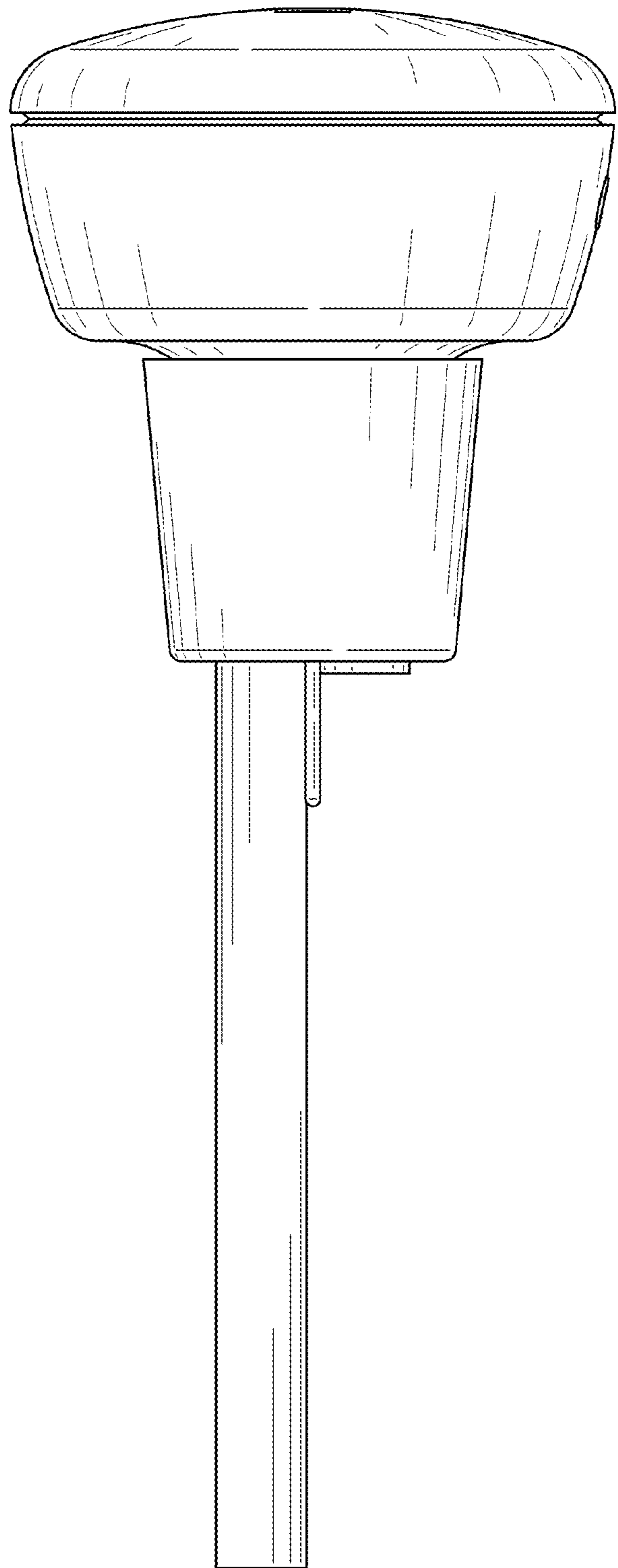


FIG. 5

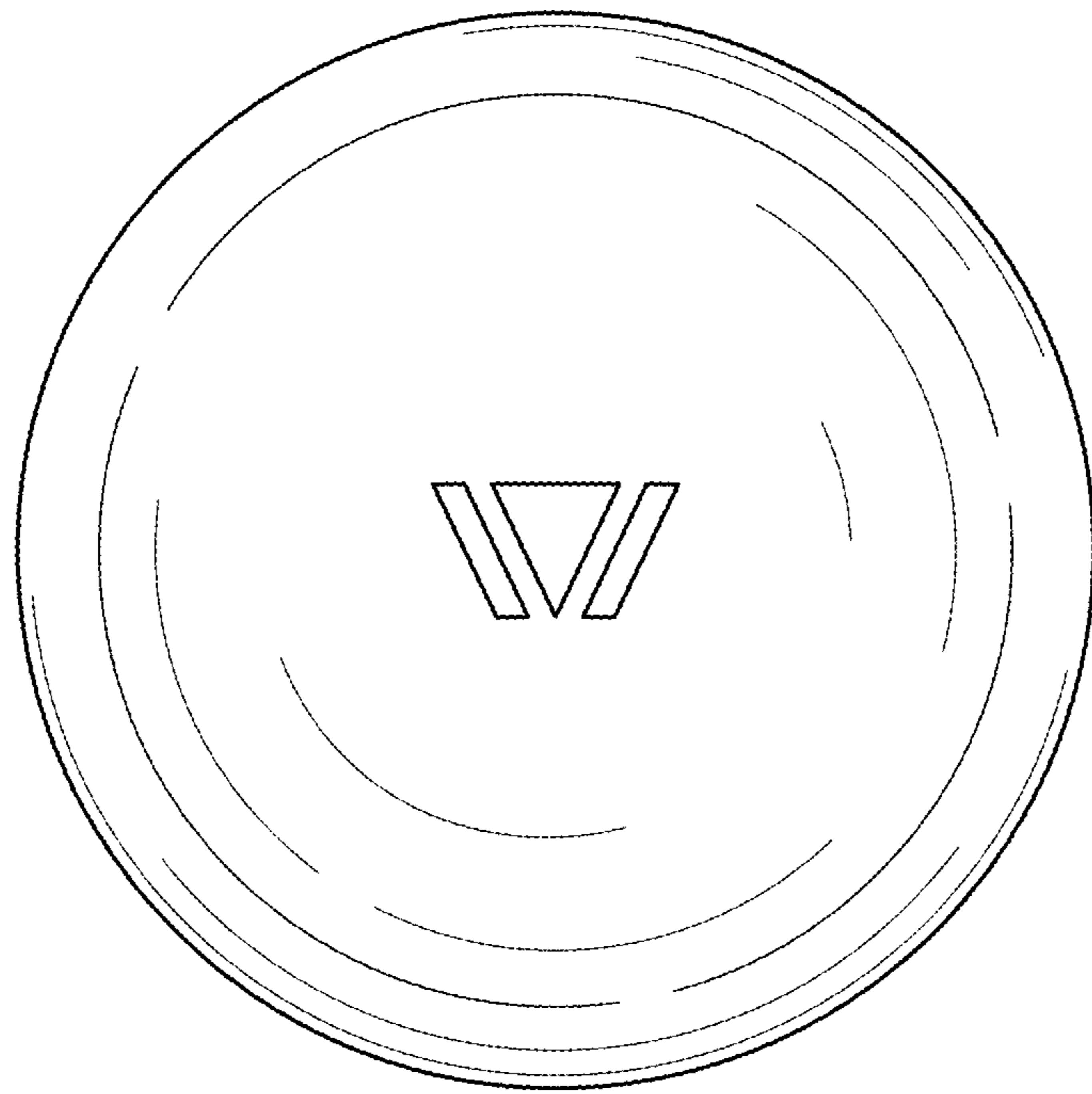


FIG. 6

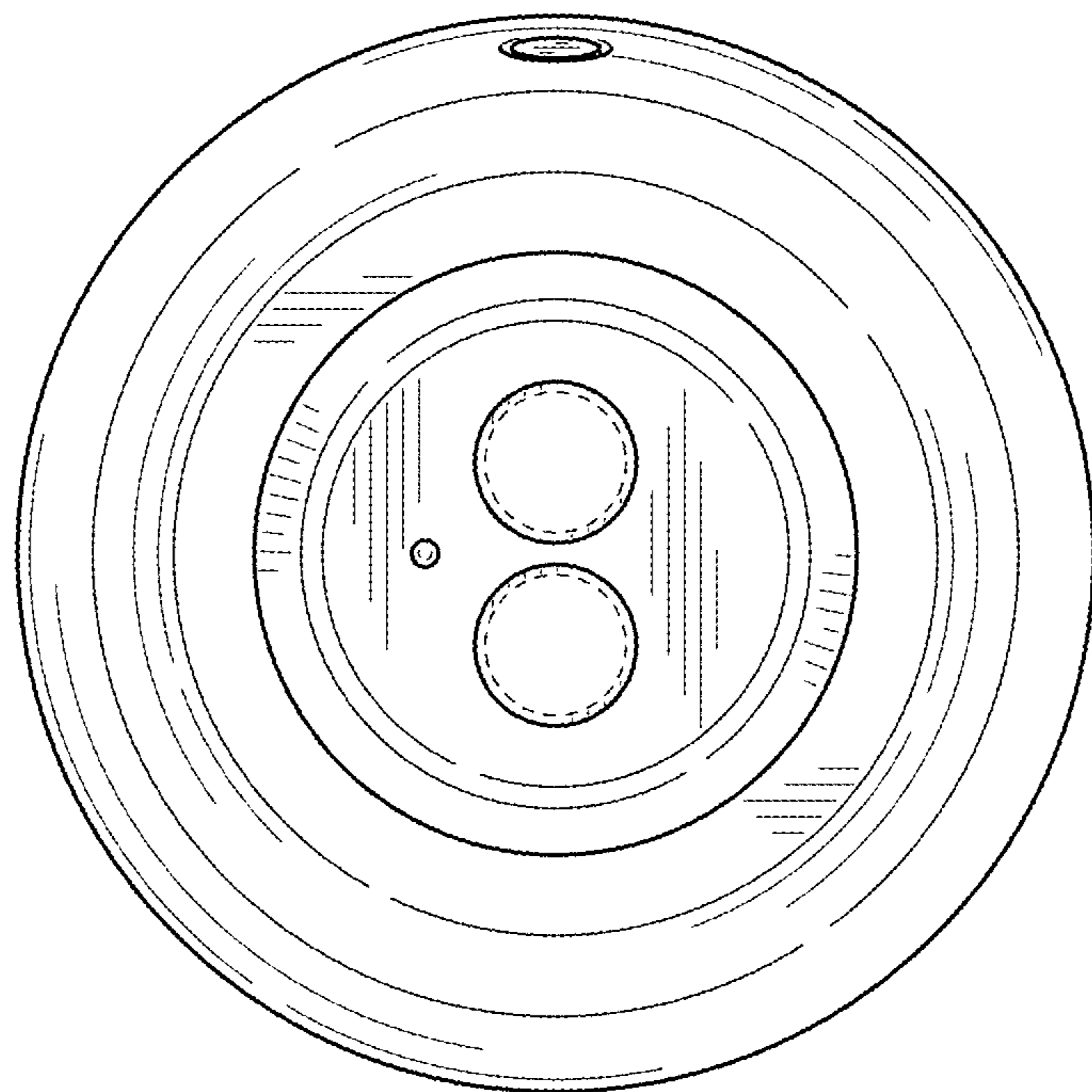


FIG. 7

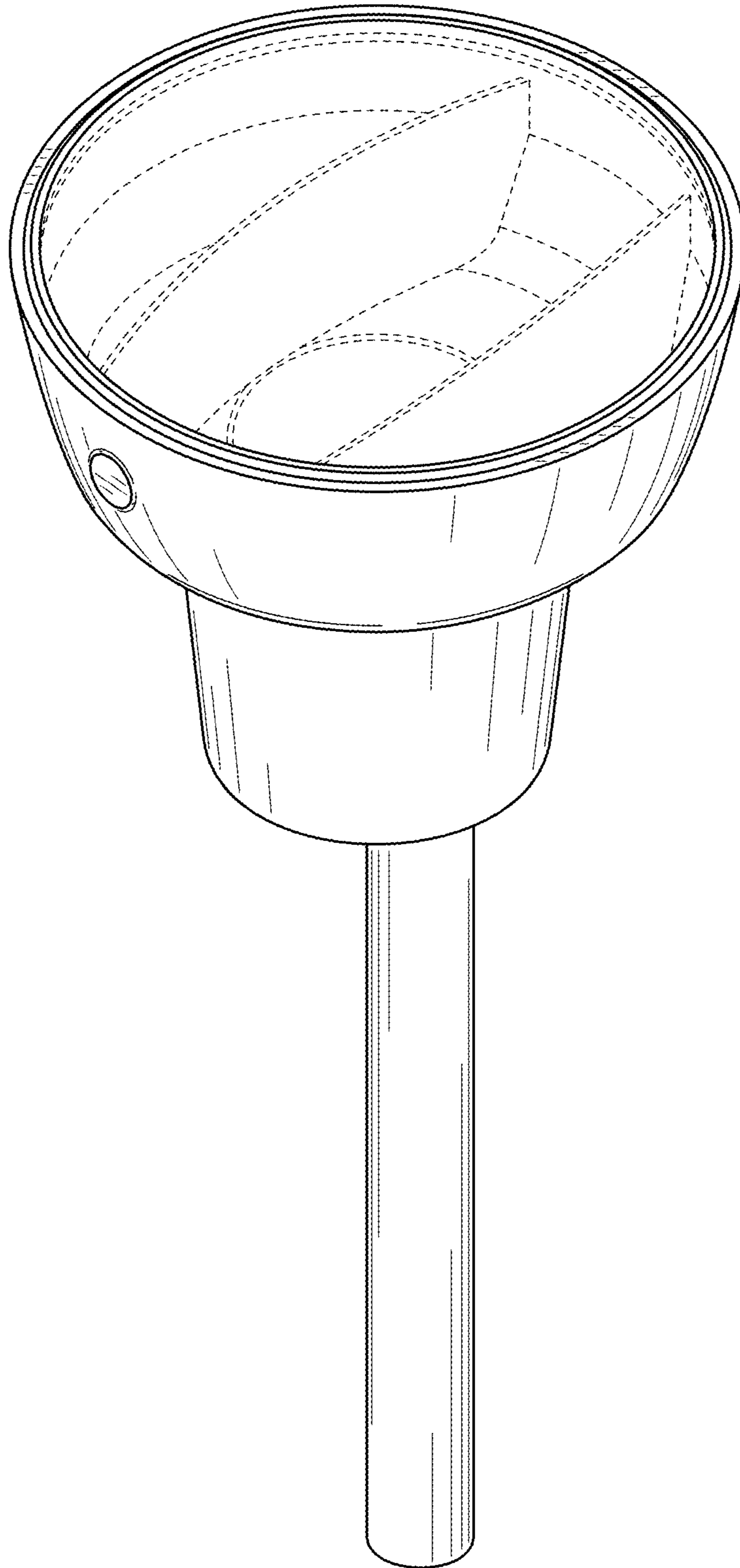


FIG. 8

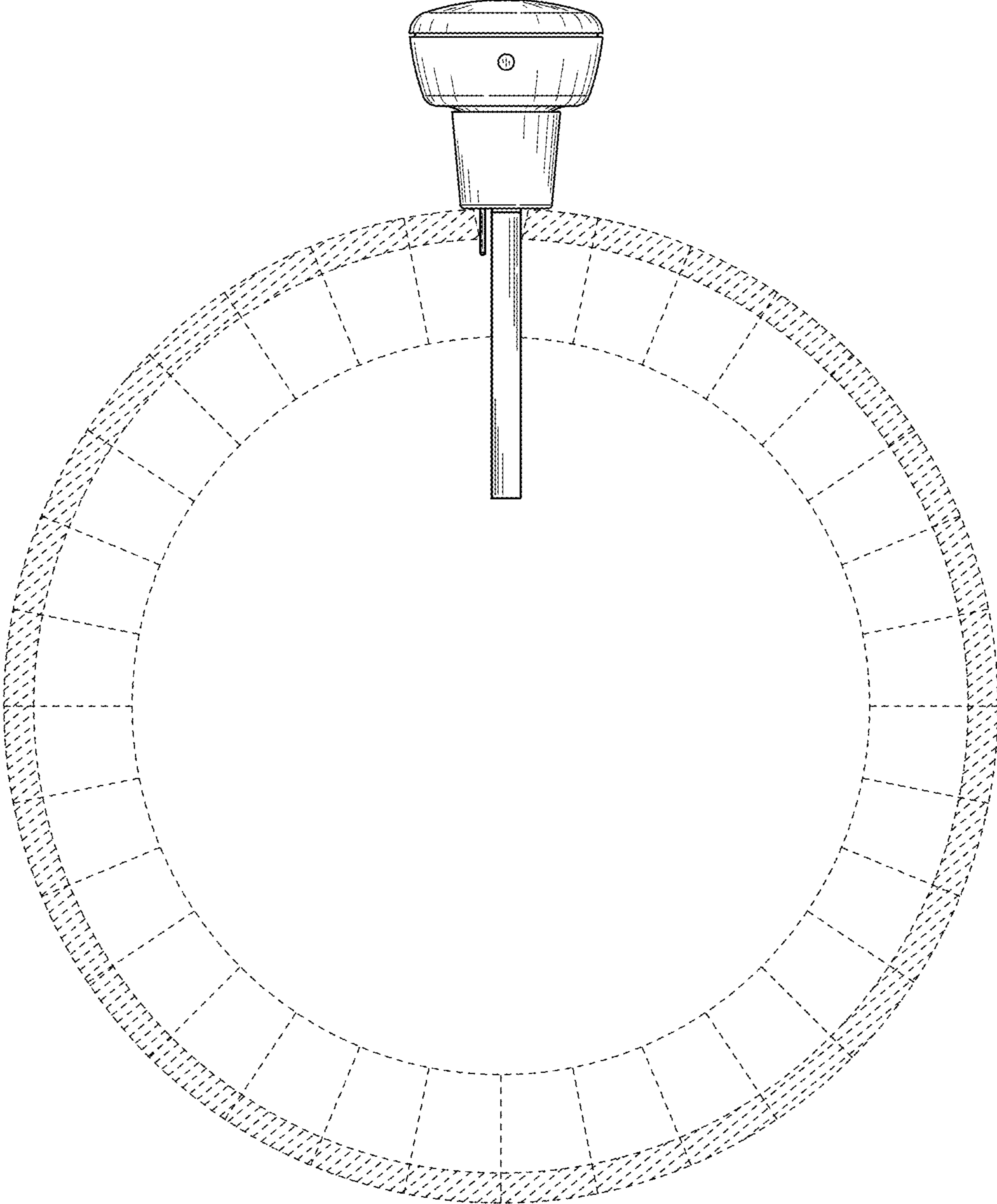


FIG. 9