



US00D885947S

(12) **United States Design Patent**
Sciepiet et al.

(10) **Patent No.:** **US D885,947 S**

(45) **Date of Patent:** **** Jun. 2, 2020**

(54) **CASING FOR A MOTOR MONITORING DEVICE**

Y02T 10/7275; Y02T 10/72; Y02T 10/645; Y02T 10/7077; Y02T 10/70; Y02T 10/6234; Y02T 10/6265

(71) Applicant: **Weg Equipamentos Elétricos S.A.**, Jaraguá do Sul (BR)

See application file for complete search history.

(72) Inventors: **Marco Aurélio Sciepiet**, Jaraguá do Sul (BR); **Hugo Gustavo Gomez Mello**, Jaraguá do Sul (BR); **Tiago da Rosa Santos**, Jaraguá do Sul (BR); **Davi Orzechowski**, Jaraguá do Sul (BR); **Lucas Bittencourt de Oliveira**, Jaraguá do Sul (BR); **Valmir Luis Stoinski**, Jaraguá do Sul (BR)

(56) **References Cited**

U.S. PATENT DOCUMENTS

D519,859 S * 5/2006 Chinnadurai D10/46

* cited by examiner

Primary Examiner — Antoine Duval Davis

(74) *Attorney, Agent, or Firm* — Thomas | Horstemeyer LLP

(73) Assignee: **Weg Equipamentos Elétricos S.A.**, Jaraguá do Sul (BR)

(57) **CLAIM**

The ornamental design for a casing for a motor monitoring device, as shown and described.

(**) Term: **15 Years**

(21) Appl. No.: **29/664,866**

(22) Filed: **Sep. 28, 2018**

(51) **LOC (12) Cl.** **10-04**

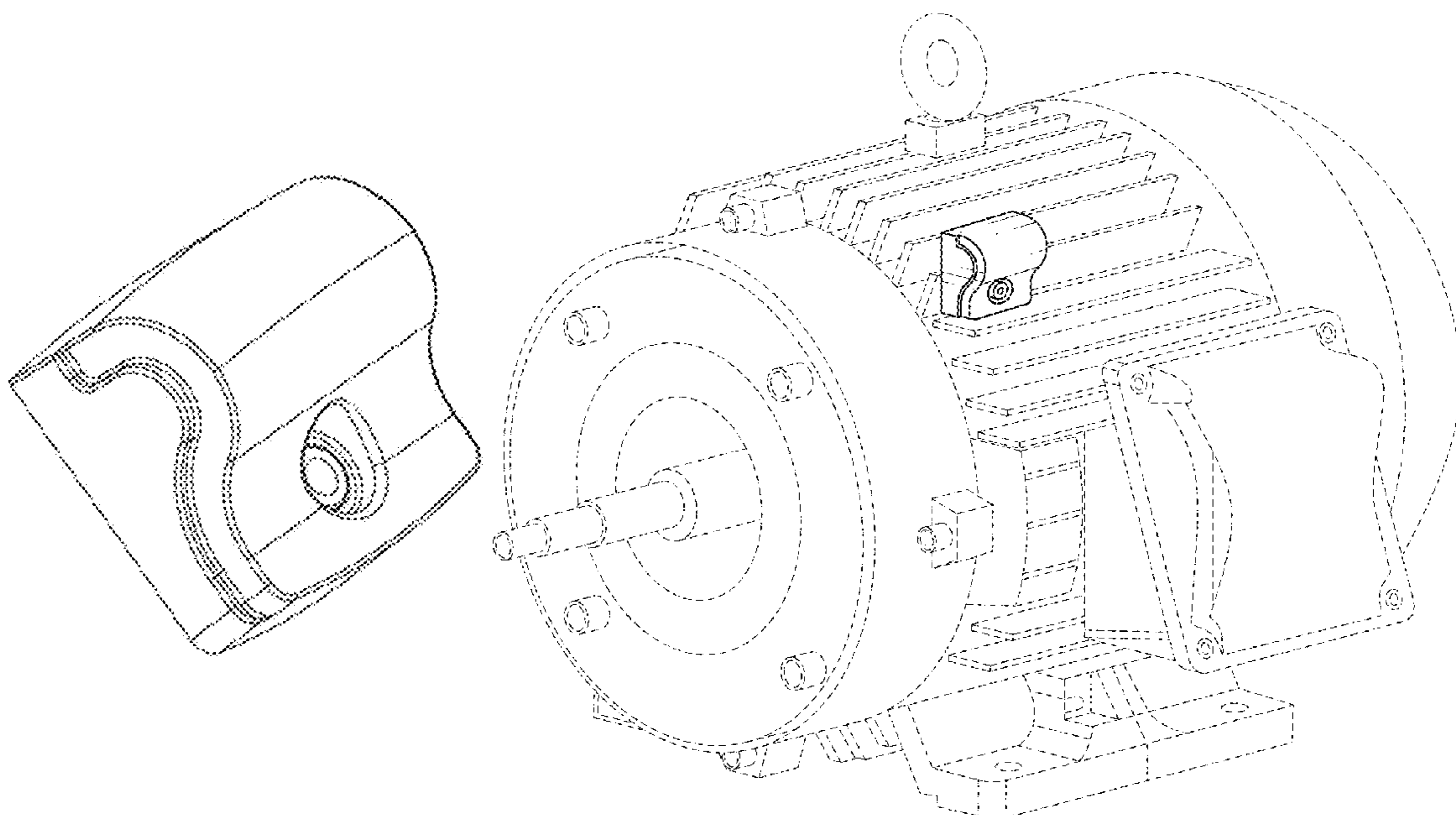
(52) **U.S. Cl.**
USPC **D10/75**

(58) **Field of Classification Search**
USPC D10/46, 75
CPC G07C 5/0808; B60W 20/50; B60W 2510/244; G01R 31/34; B60K 17/046; B60K 7/0007; B60K 2007/0092; B60K 2007/0038; B60K 6/442; B60K 6/52; B60L 50/16; B60L 3/12; B60L 3/00; B60L 15/2072; B60L 3/0061; B60L 15/2036; B60L 15/007; B60L 50/51; B60L 2240/427; B60L 2260/28; B60L 2220/44; B60L 2240/429; B60L 2240/36; B60L 2240/425; B60L 2240/80; B60L 2250/16; B60L 2250/10; Y02T 10/7005;

DESCRIPTION

FIG. 1 is a perspective view of a casing for a motor monitoring device showing the new design; FIG. 2 is a front view thereof; FIG. 3 is a rear view thereof; FIG. 4 is a top view thereof; FIG. 5 is a bottom view thereof; FIG. 6 is a left side view thereof; FIG. 7 is a right side view thereof; and, FIG. 8 is a perspective view thereof where the casing for the motor monitoring device is shown positioned on a motor. The broken line showing of FIG. 8 is for the purpose of illustrating environmental structure and forms no part of the claimed design.

1 Claim, 8 Drawing Sheets



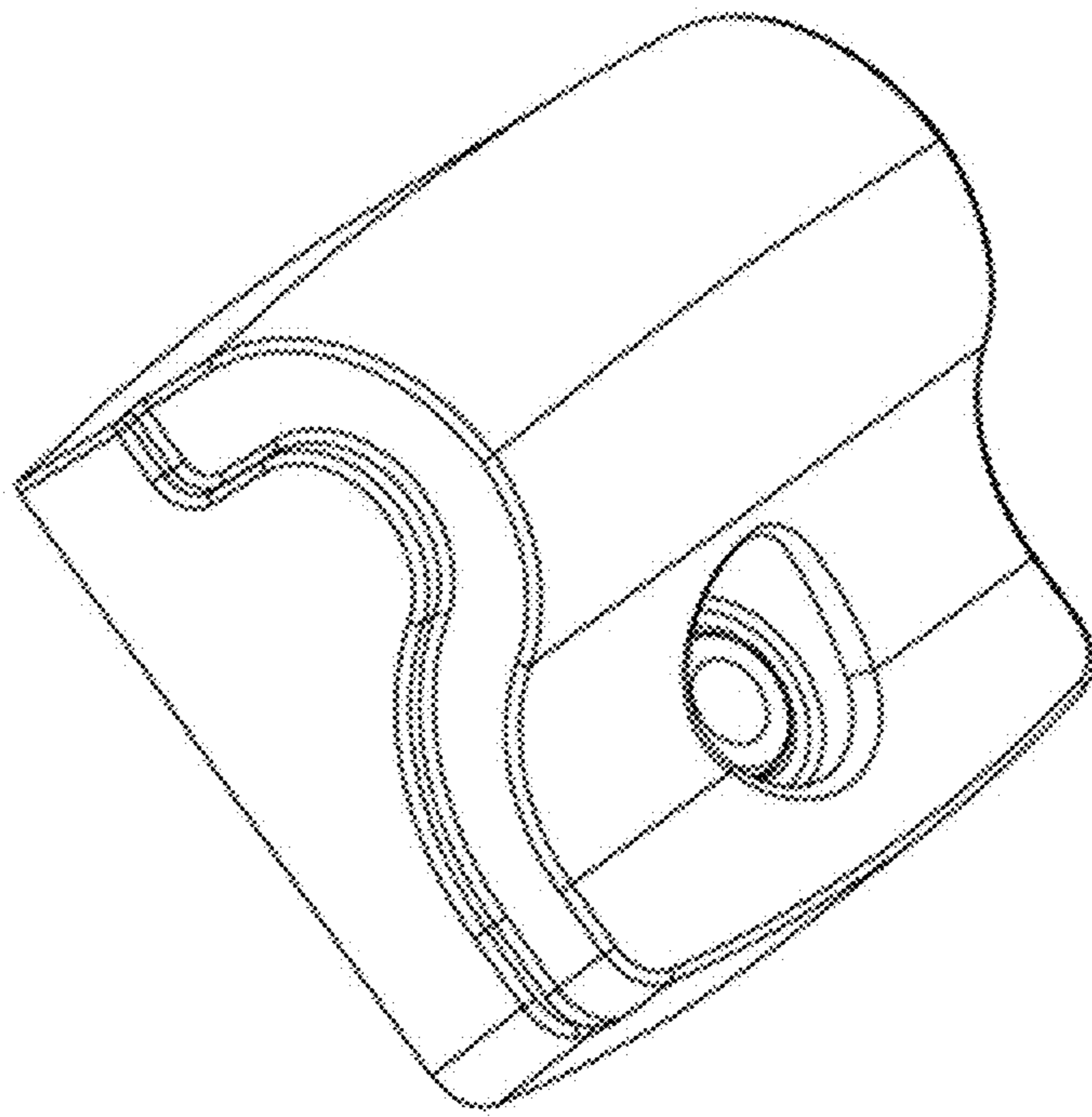


FIG. 1

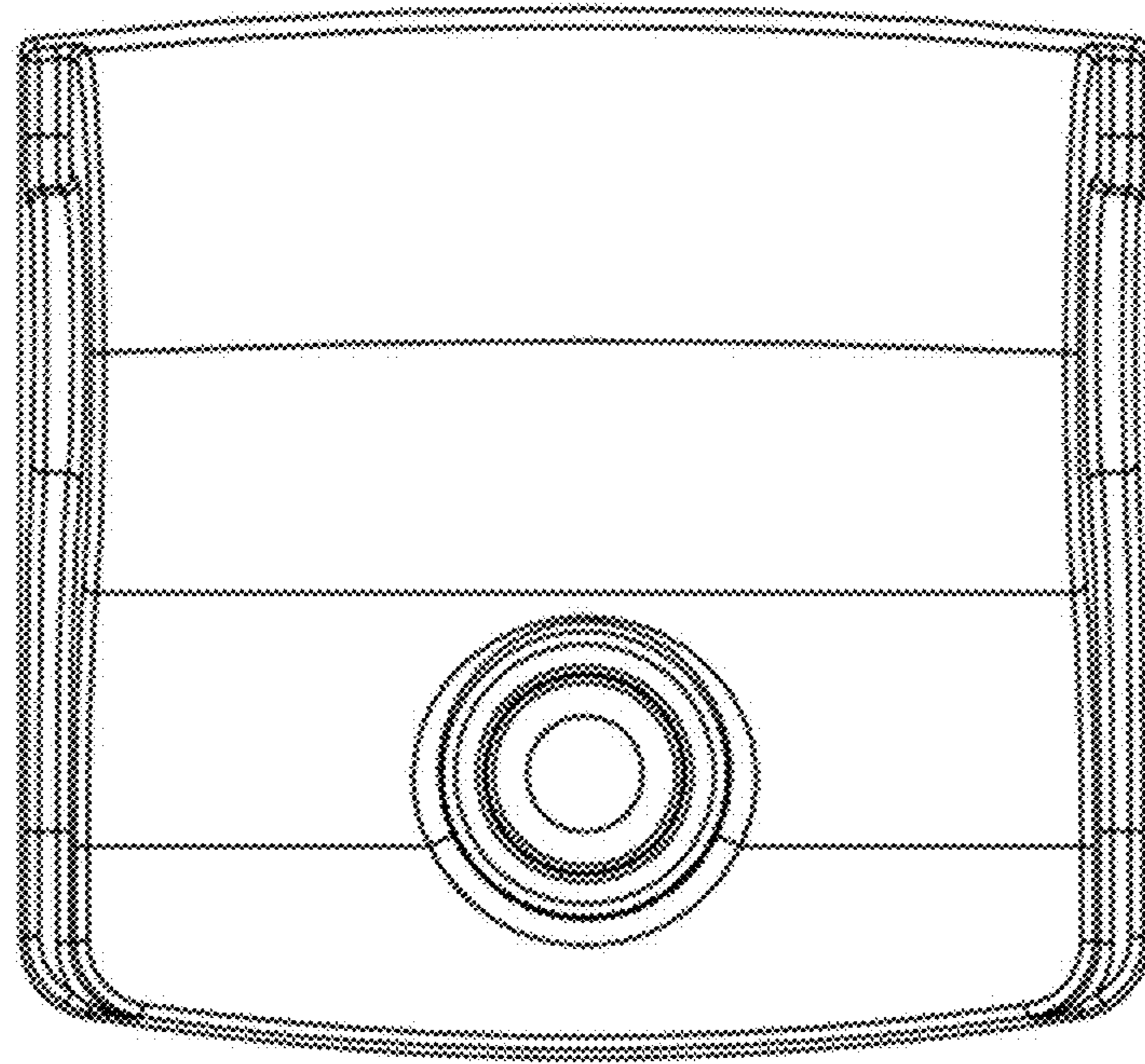


FIG. 2

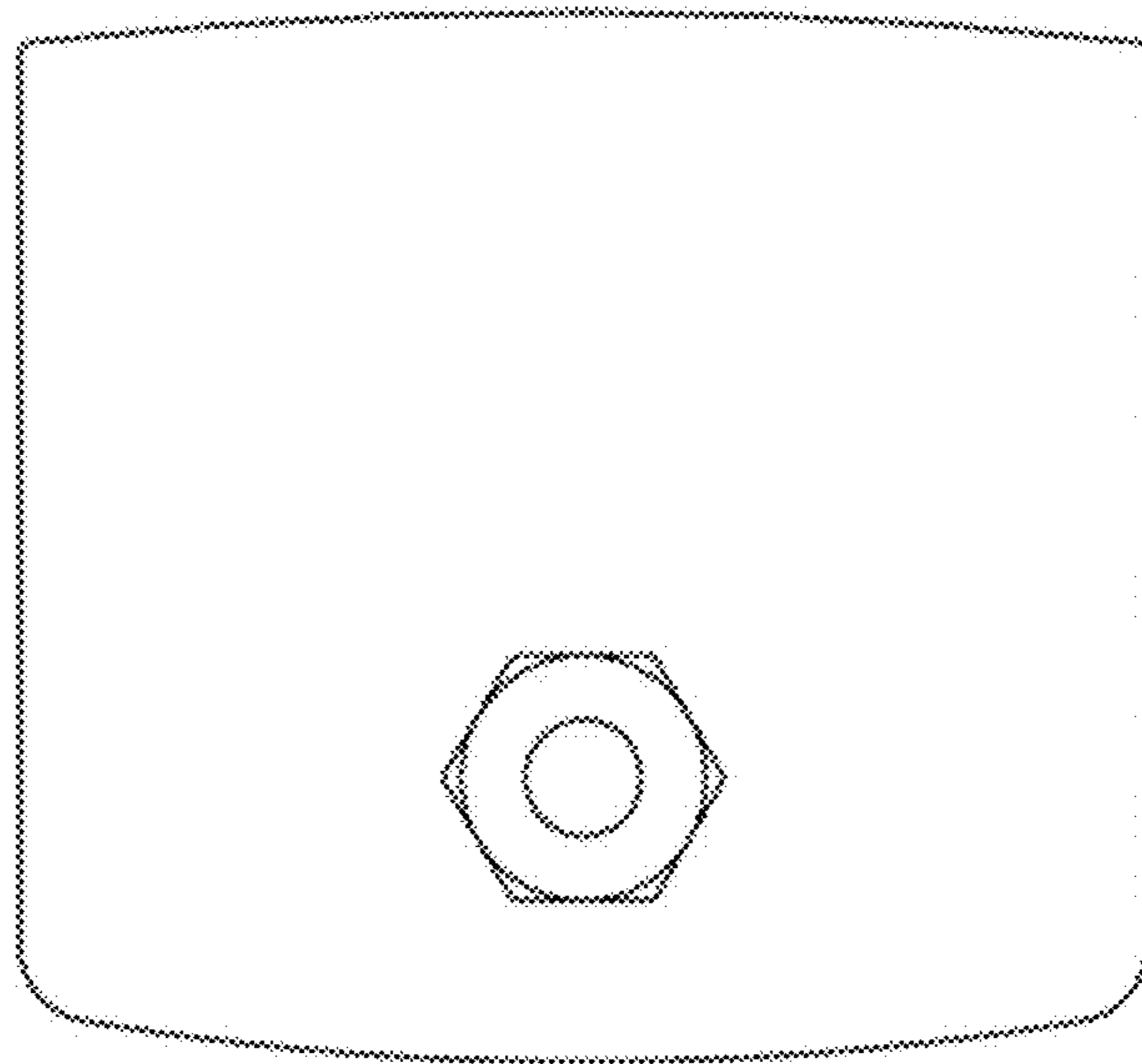


FIG. 3

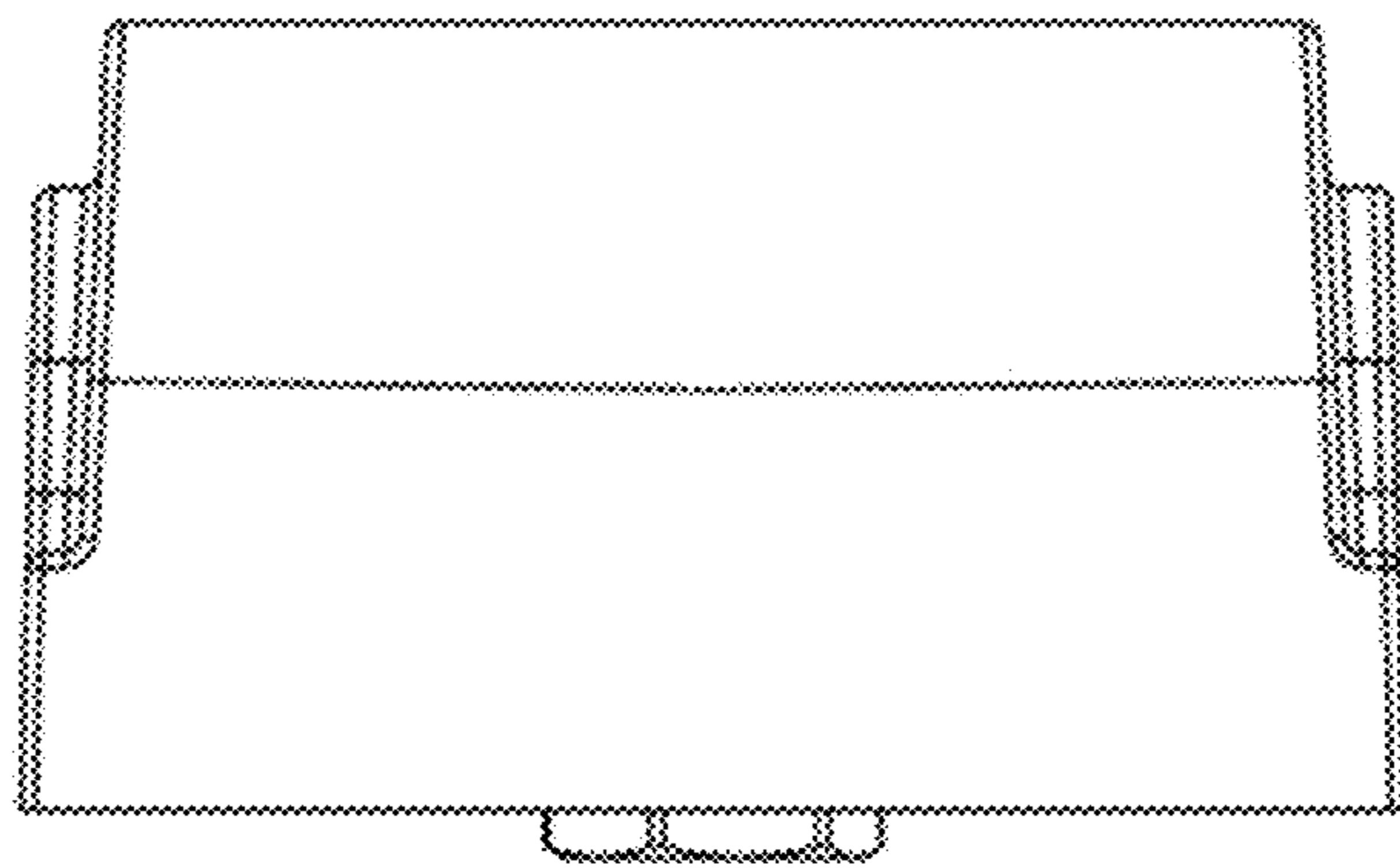


FIG. 4

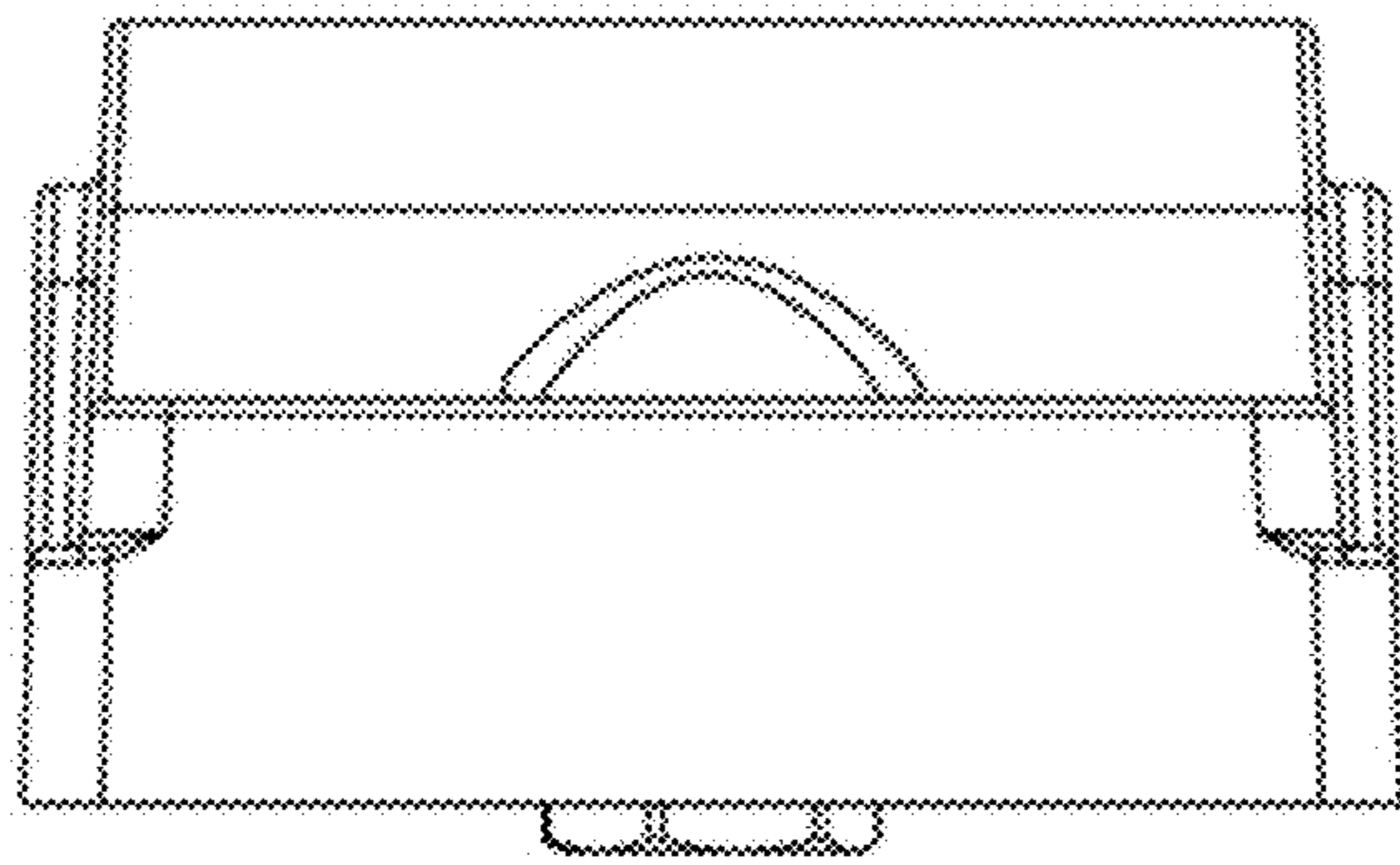


FIG. 5

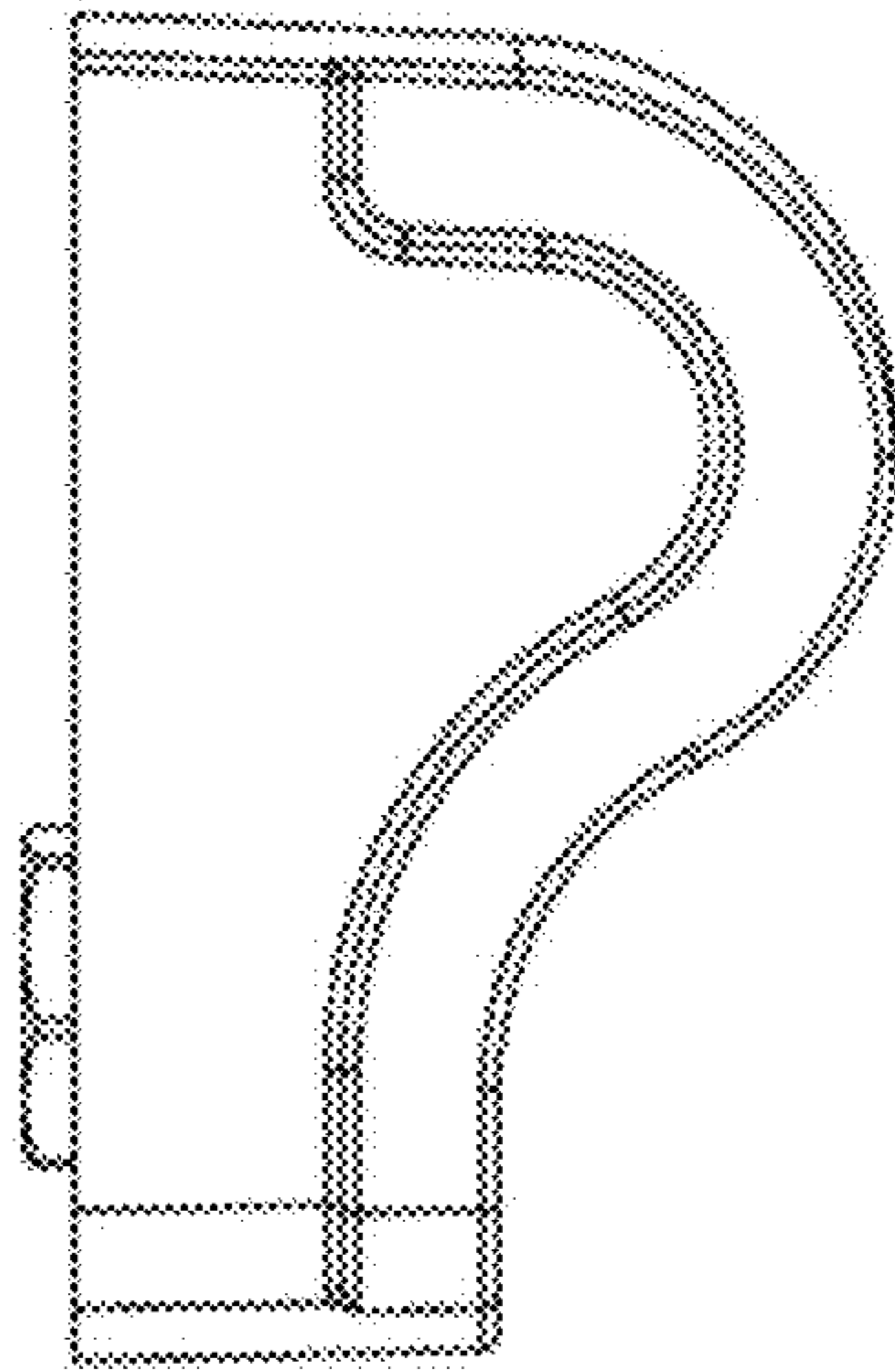


FIG. 6

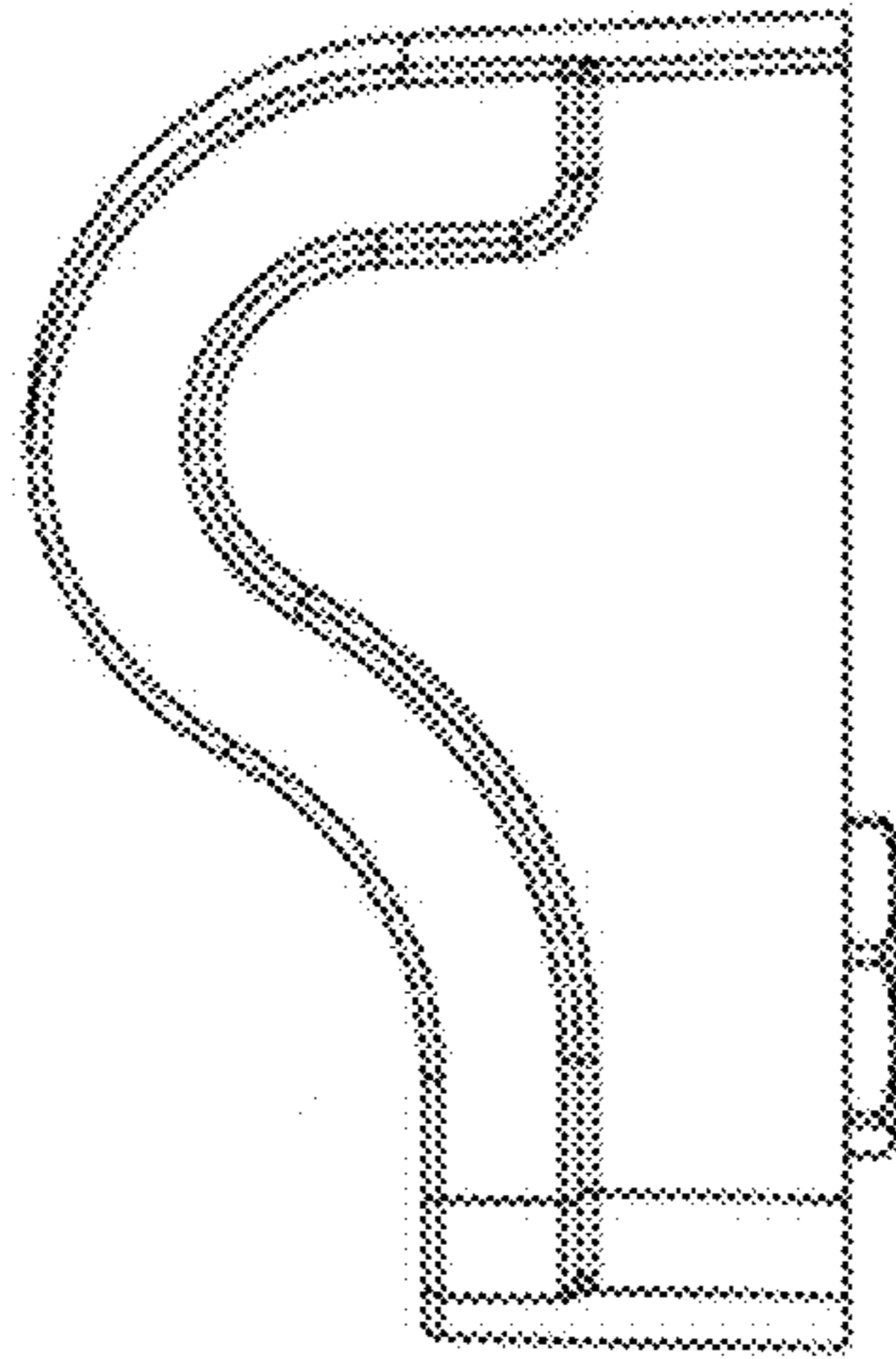


FIG. 7

FIG. 8

