



US00D885946S

(12) **United States Design Patent** (10) **Patent No.:** **US D885,946 S**  
**Sono et al.** (45) **Date of Patent:** **\*\* Jun. 2, 2020**

(54) **INFRARED SENSING DEVICE**

(56) **References Cited**

(71) Applicant: **Panasonic Intellectual Property Management Co., Ltd.**, Osaka-shi, Osaka (JP)

U.S. PATENT DOCUMENTS

(72) Inventors: **Takahiro Sono**, Shiga (JP); **Ryo Taniguchi**, Shiga (JP)

D623,546 S \* 9/2010 Nishikawa ..... D10/106.6  
D623,548 S \* 9/2010 Nishikawa ..... D10/106.6  
D848,292 S \* 5/2019 Laurans ..... D10/70

(73) Assignee: **Panasonic Intellectual Property Management Co., Lt.**, Osaka (JP)

\* cited by examiner

(\*\*) Term: **15 Years**

*Primary Examiner* — Antoine Duval Davis

(21) Appl. No.: **29/678,451**

(74) *Attorney, Agent, or Firm* — Brinks Gilson & Lione

(22) Filed: **Jan. 29, 2019**

(57) **CLAIM**

We claim the ornamental design for infrared sensing device, as shown and described.

(30) **Foreign Application Priority Data**

**DESCRIPTION**

Jul. 31, 2018 (JP) ..... 2018-016707

(51) **LOC (12) Cl.** ..... **10-04**

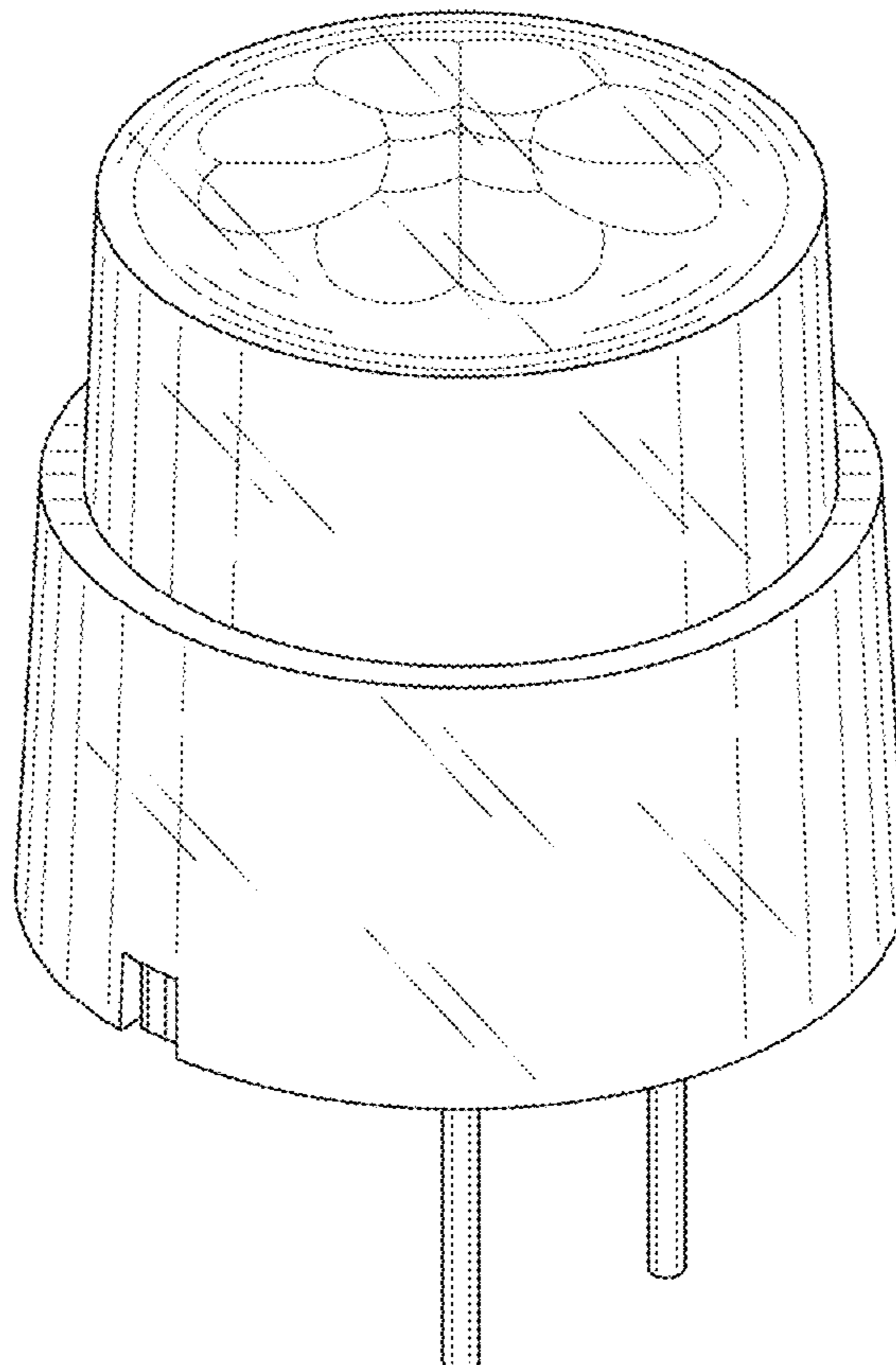
(52) **U.S. Cl.**  
USPC ..... **D10/70; D10/106.6; D10/104**

(58) **Field of Classification Search**  
USPC ..... D10/46, 49, 57, 70, 80, 103, 104, 106, D10/106.6; 250/338.3, 492.1  
CPC ..... G21G 5/00; G01J 5/34; G01J 5/00; G01J 5/02; G01J 5/04; G01V 8/12; G01N 21/35; G01N 21/61; G06F 1/16; G06F 1/26; H01L 31/0203

FIG. 1 is a perspective view of an infrared sensing device of the present invention;  
FIG. 2 is a top view thereof;  
FIG. 3 is a bottom view thereof;  
FIG. 4 is a front view thereof;  
FIG. 5 is a rear view thereof;  
FIG. 6 is a first side view thereof;  
FIG. 7 is a second side view thereof; and,  
FIG. 8 is a cross-sectional view thereof taken along line 8-8 in FIG. 3.

See application file for complete search history.

**1 Claim, 8 Drawing Sheets**



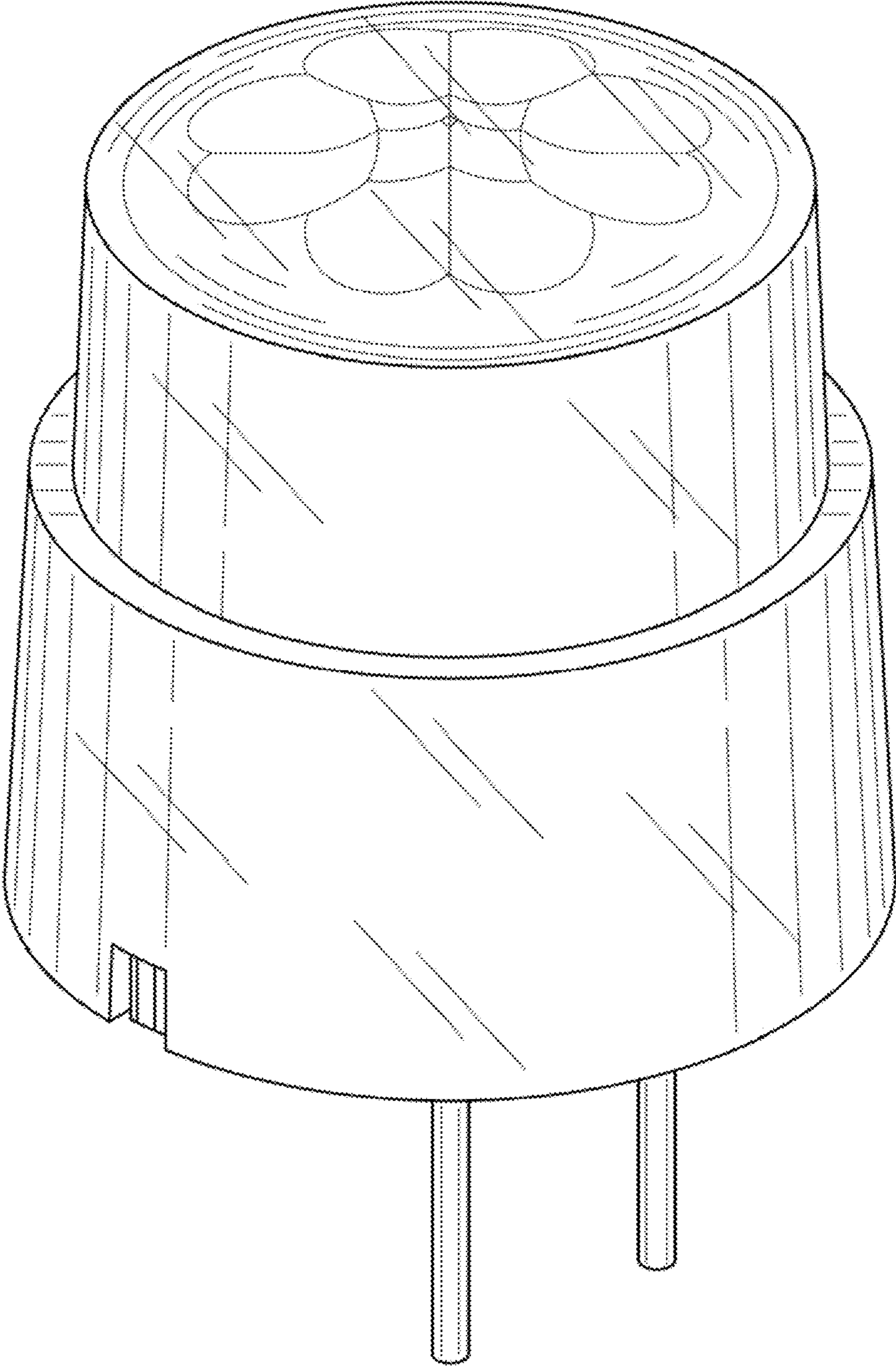


FIG. 1

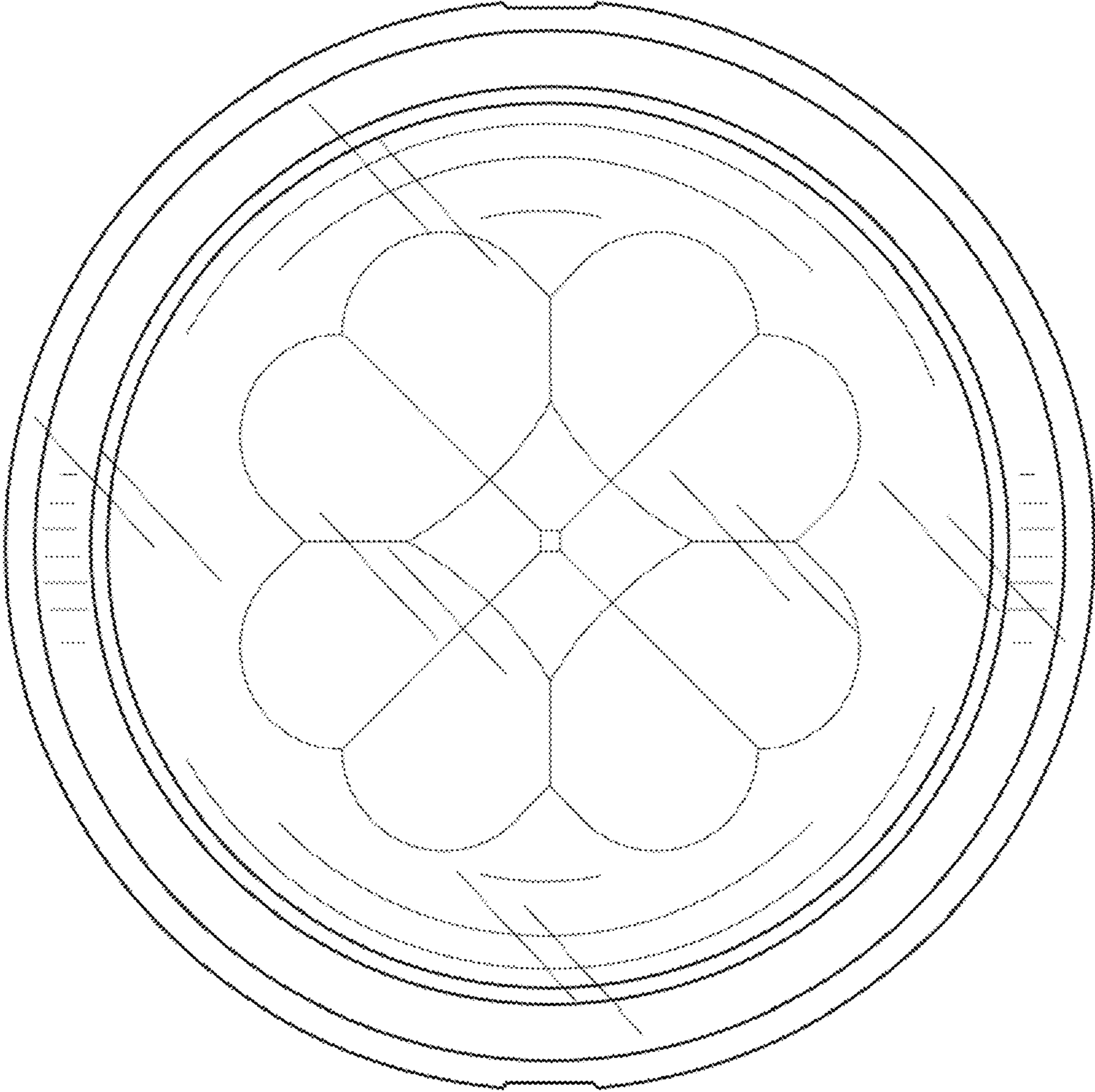


FIG. 2

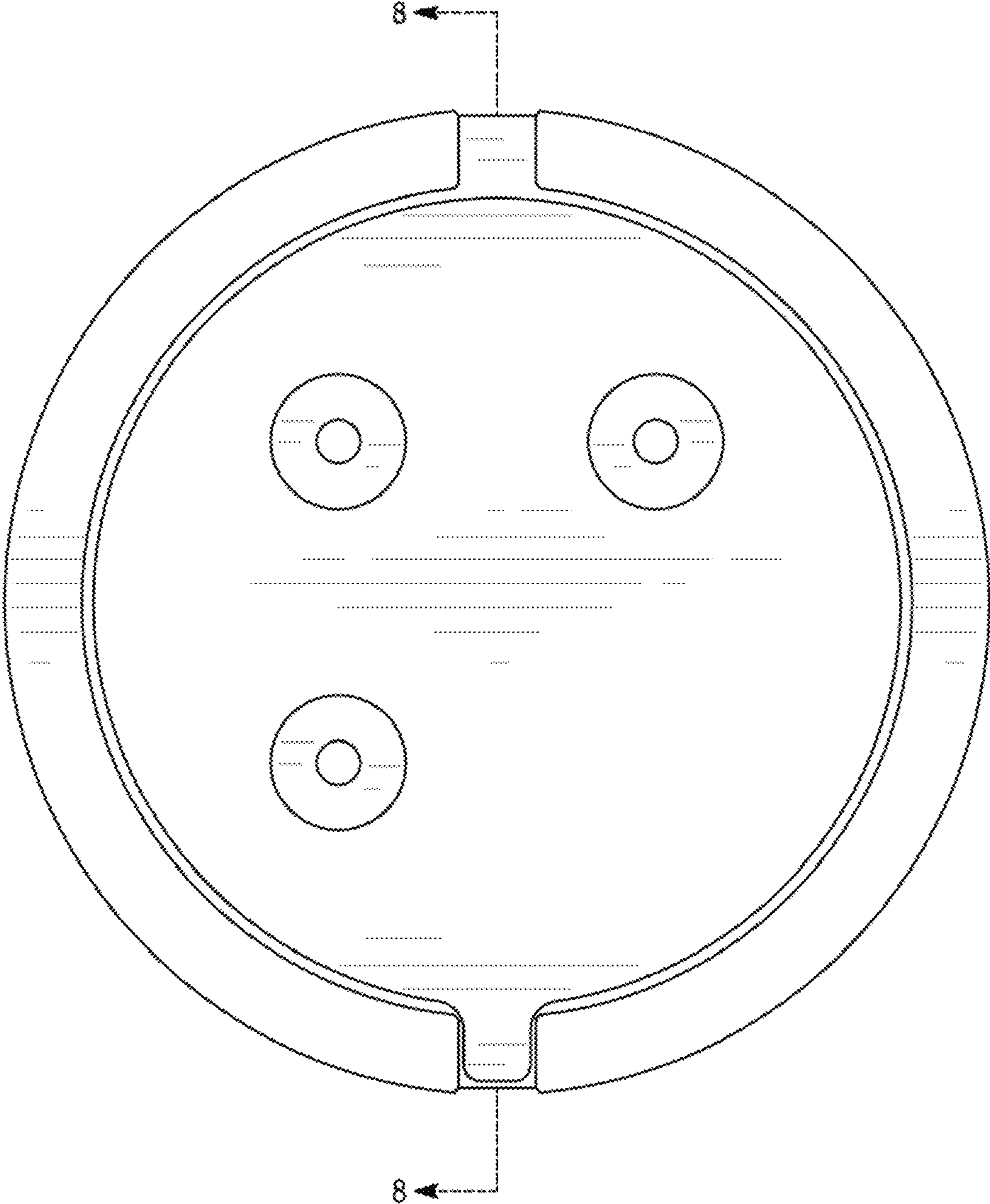


FIG. 3

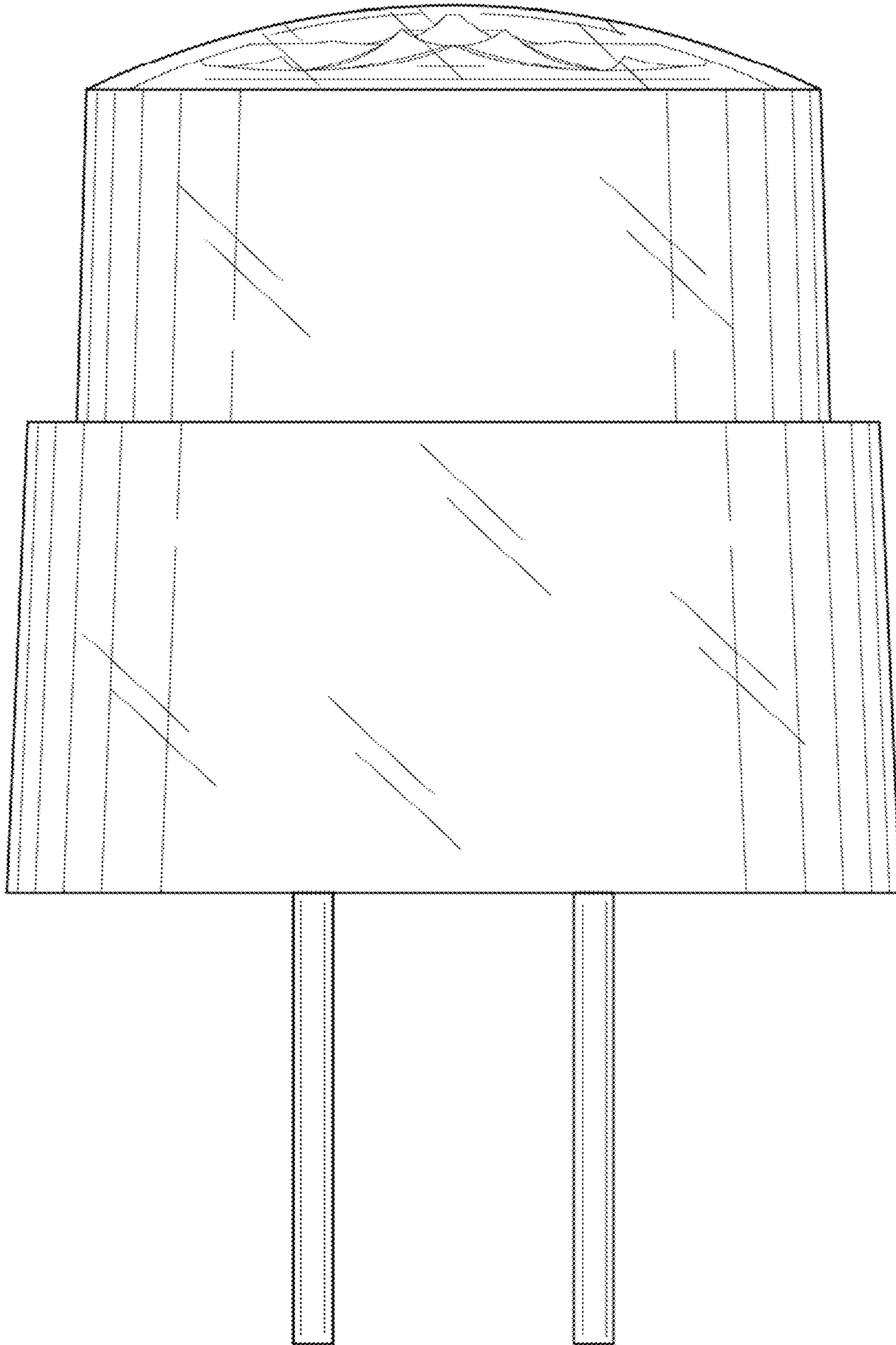


FIG. 4

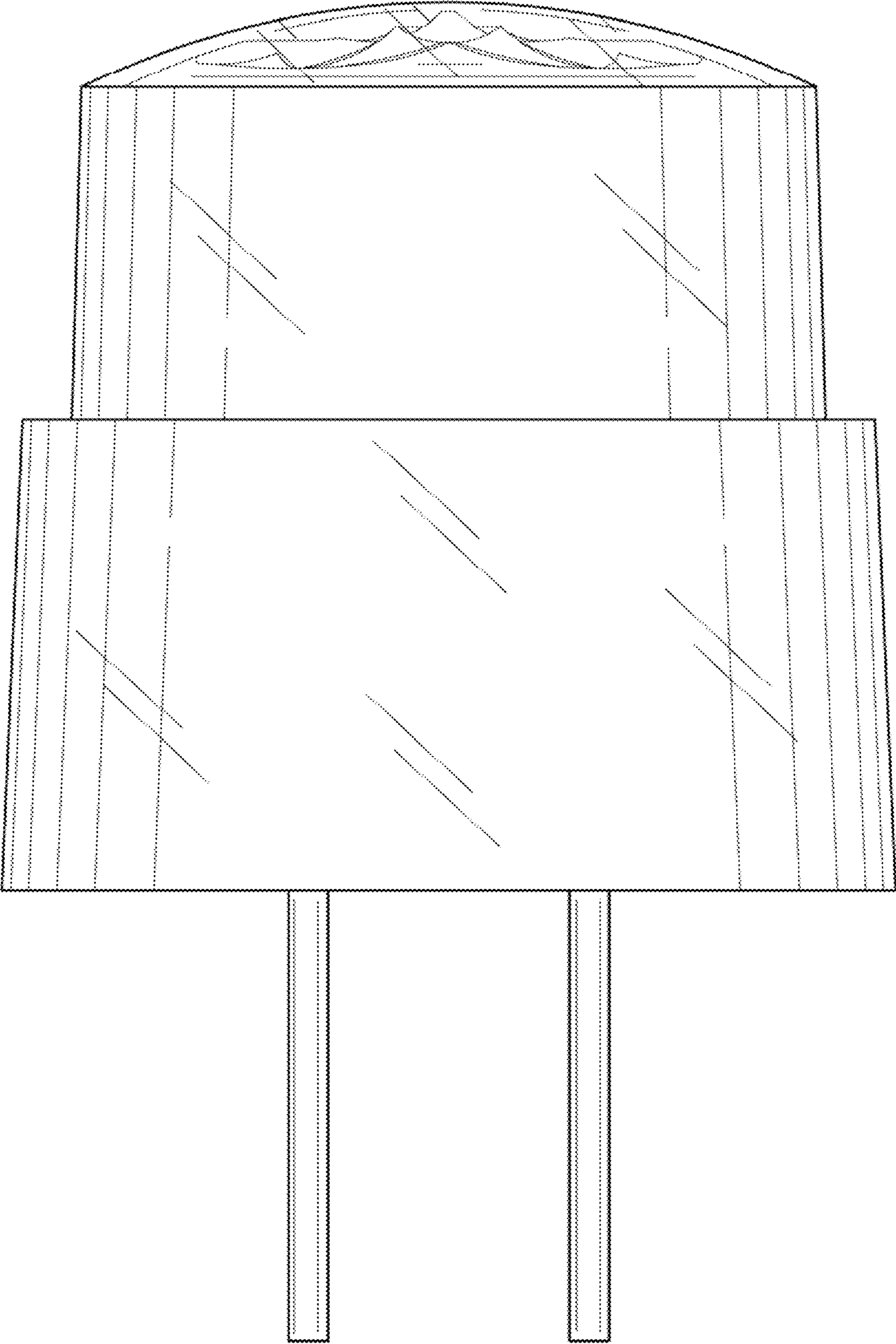


FIG. 5

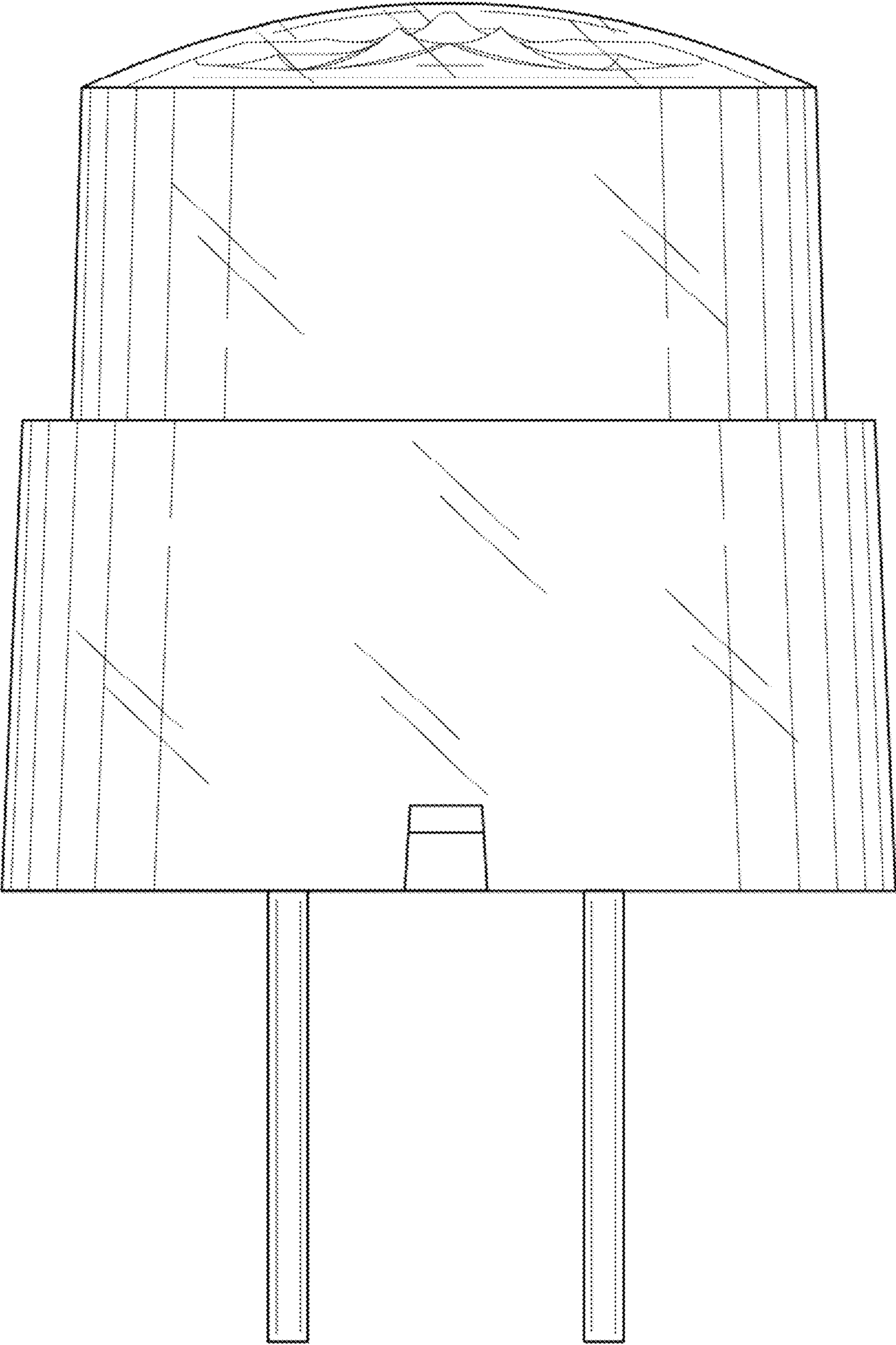


FIG. 6

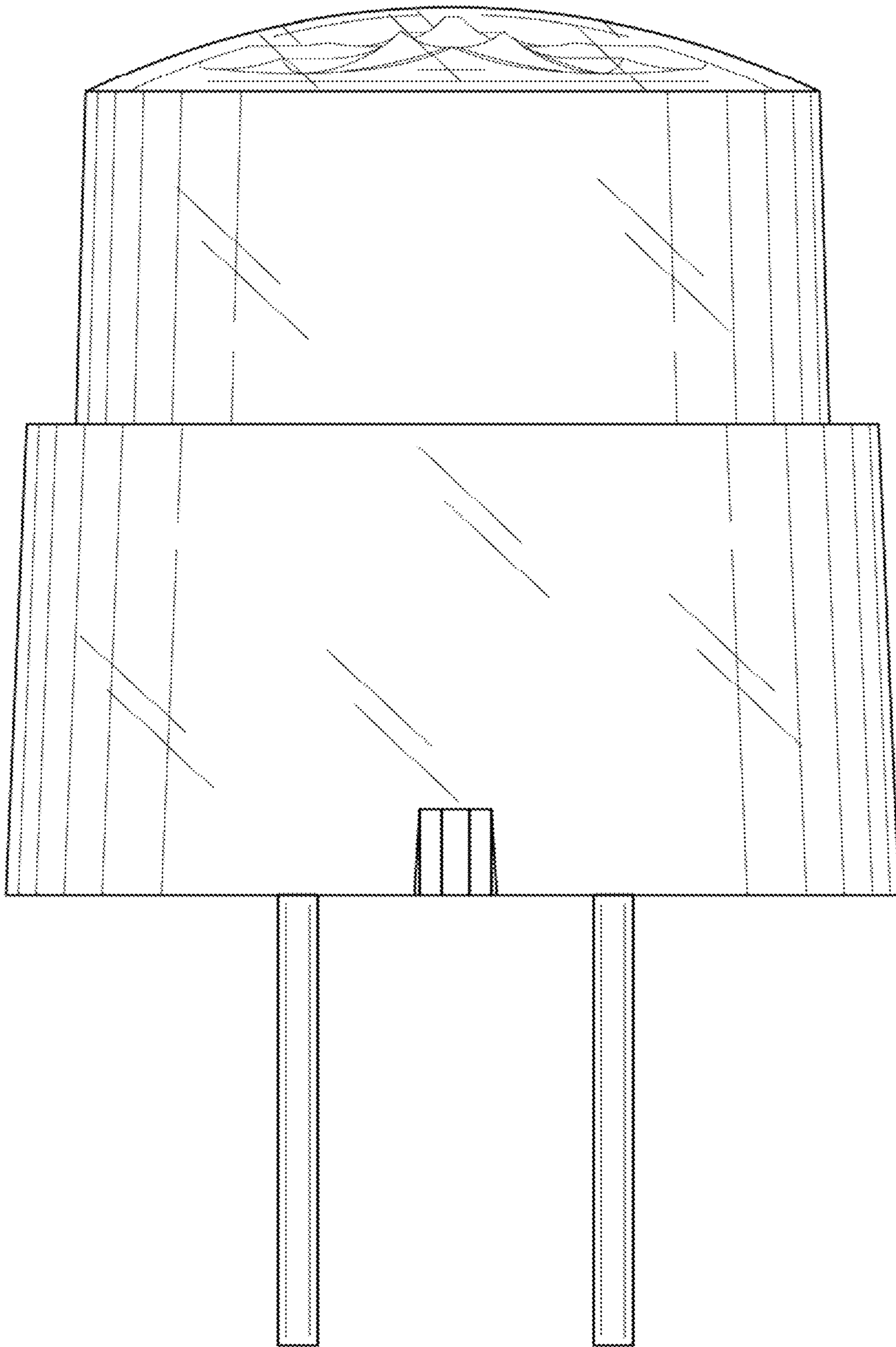


FIG. 7



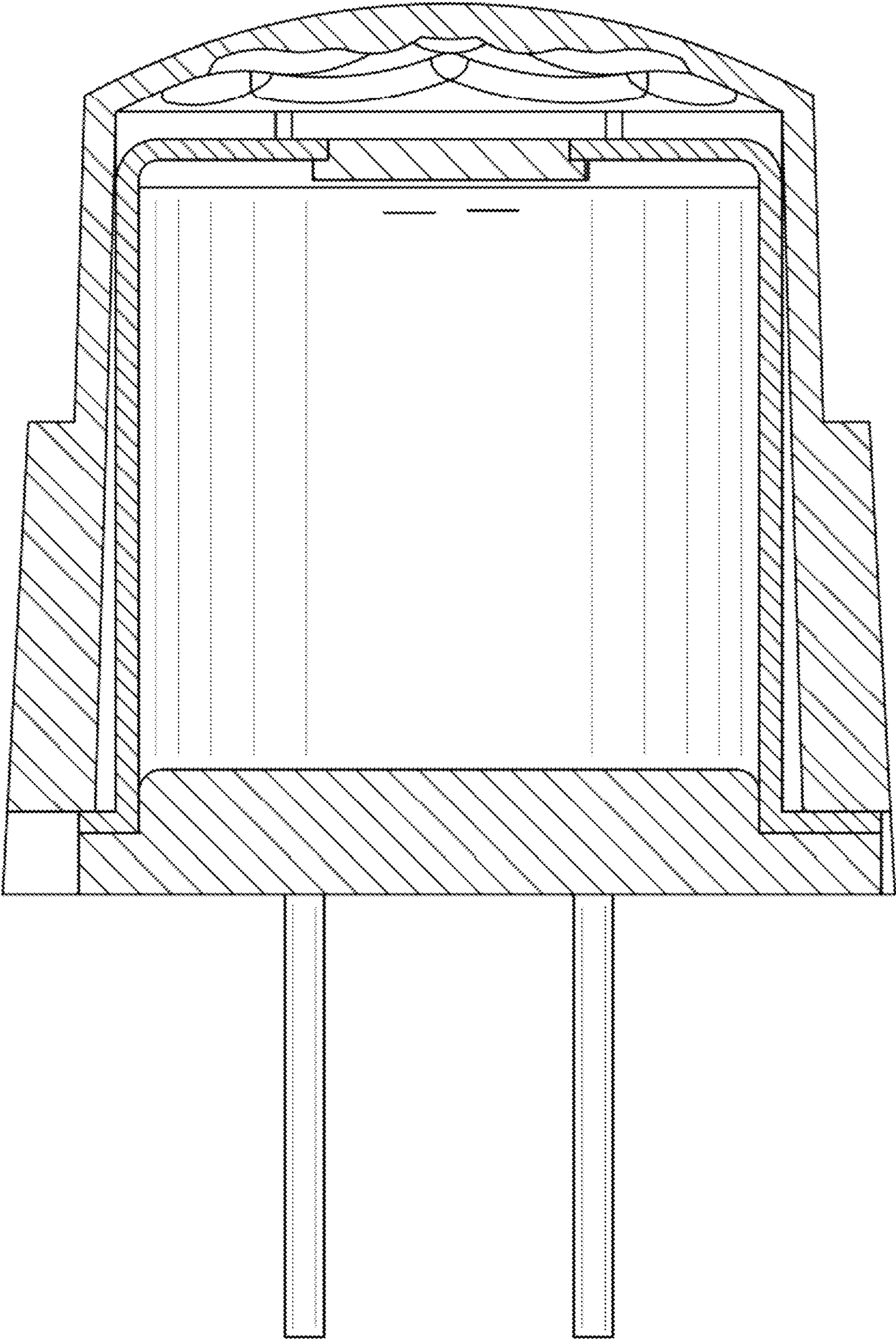


FIG. 8