



US00D885944S

(12) **United States Design Patent**
Kim

(10) **Patent No.:** **US D885,944 S**
(45) **Date of Patent:** **** Jun. 2, 2020**

- (54) **SENSOR FOR GOLF**
- (71) Applicant: **GOLFZON Co., Ltd.**, Daejeon (KR)
- (72) Inventor: **Jin-gyu Kim**, Daejeon (KR)
- (73) Assignee: **GOLFZON CO., LTD.**, Daejeon (KR)
- (**) Term: **15 Years**
- (21) Appl. No.: **29/667,870**
- (22) Filed: **Oct. 25, 2018**
- (30) **Foreign Application Priority Data**

Apr. 26, 2018 (KR) 30-2018-0019638

- (51) **LOC (12) Cl.** **10-04**
- (52) **U.S. Cl.**
USPC **D10/70**; D21/791; D21/796
- (58) **Field of Classification Search**
USPC D10/46, 70; D21/791, 796
CPC A63F 13/428; A63F 13/21; A63F 13/211;
A63F 13/812; A63F 13/46; A63F 13/213;
A63F 2300/8011; A63F 2300/61; A63F
2300/1093; A63F 2300/105; A63F 13/06;
A61B 5/1122; A61B 5/6831; A61B
5/6806; A61B 5/1128; A61B 5/1124;
A61B 2562/0219; A61B 2503/10; A61B
5/4528; G09B 19/0038; A63B 69/3658;
A63B 69/3632; A63B 69/3608; A63B
69/36; A63B 69/00; A63B 24/0021; A63B
24/0006; A63B 24/0003; A63B 2102/32;
A63B 2209/10; A63B 2225/50; A63B
2225/20; A63B 2220/836; A63B
2220/806; A63B 2220/803; A63B
2220/40; A63B 2220/30; A63B 2220/16;
A63B 2071/0636; A63B 2071/063; A63B
2071/0627; A63B 2071/0625; A63B
2024/0031; A63B 2024/0015; A63B
2024/0012; A63B 69/004; A63B 69/3614;
A63B 69/0024; A63B 2102/22; A63B
2102/02; A63B 69/0071; A63B 69/0026;

A63B 69/38; A63B 2220/805; A63B
2024/0034; A63B 69/0002; A63B
2243/007; A63B 2243/0037; A63B
2243/0025; A63B 2102/18; A63B 53/04;
A63B 2053/0445; A63B 1/00; A63B
2209/00; A63B 71/0622; A63B 60/46;
G01S 5/16

See application file for complete search history.

(56) **References Cited**

U.S. PATENT DOCUMENTS

D382,321 S *	8/1997	Anderson	D10/78
6,095,928 A *	8/2000	Goszyk	A63B 24/0021 473/222
D638,898 S *	5/2011	Bergstrom	D21/791

(Continued)

Primary Examiner — Antoine Duval Davis

(74) *Attorney, Agent, or Firm* — KORUS Patent, LLC;
Seong Il Jeong

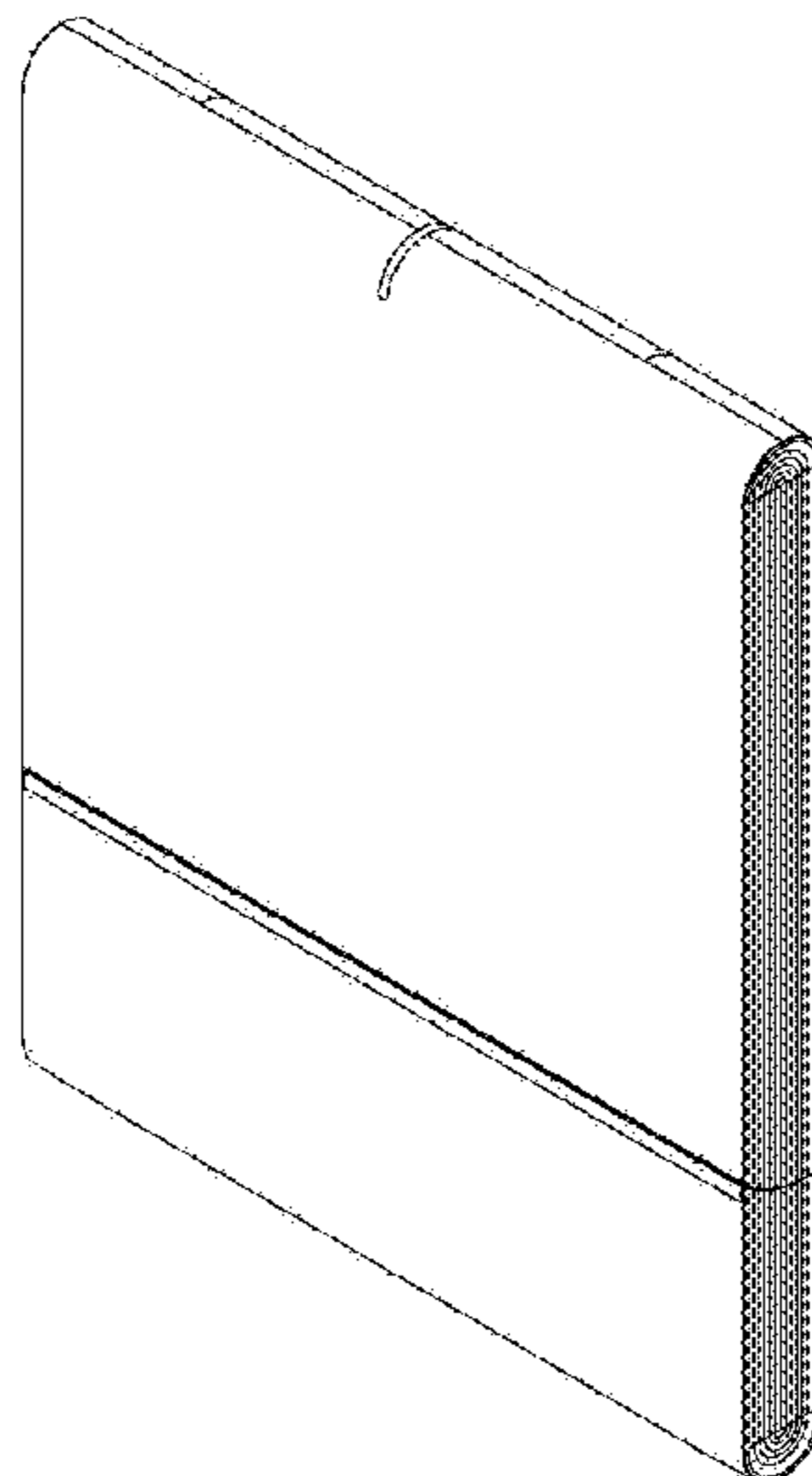
(57) **CLAIM**

The ornamental design for a sensor for golf, as shown and described.

DESCRIPTION

FIG. 1 is a front perspective view of a sensor for golf according to the present design;
FIG. 2 is a front elevation view thereof;
FIG. 3 is a rear elevation view thereof;
FIG. 4 is a left side view thereof;
FIG. 5 is a right side view thereof;
FIG. 6 is a top plan view thereof;
FIG. 7 is a bottom plan view thereof;
FIG. 8 is a rear perspective view thereof;
FIG. 9 is a rear-bottom perspective view thereof; and,
FIG. 10 is a view showing the usage state thereof.
The broken lines showing of parts of the drawing are for the purpose of illustrating use and form no part of the claimed design.

1 Claim, 9 Drawing Sheets



(56)

References Cited

U.S. PATENT DOCUMENTS

D675,946 S * 2/2013 Chan D10/65
D737,707 S * 9/2015 Jung D10/70
D737,708 S * 9/2015 Jung A63B 24/0021
D10/98

* cited by examiner

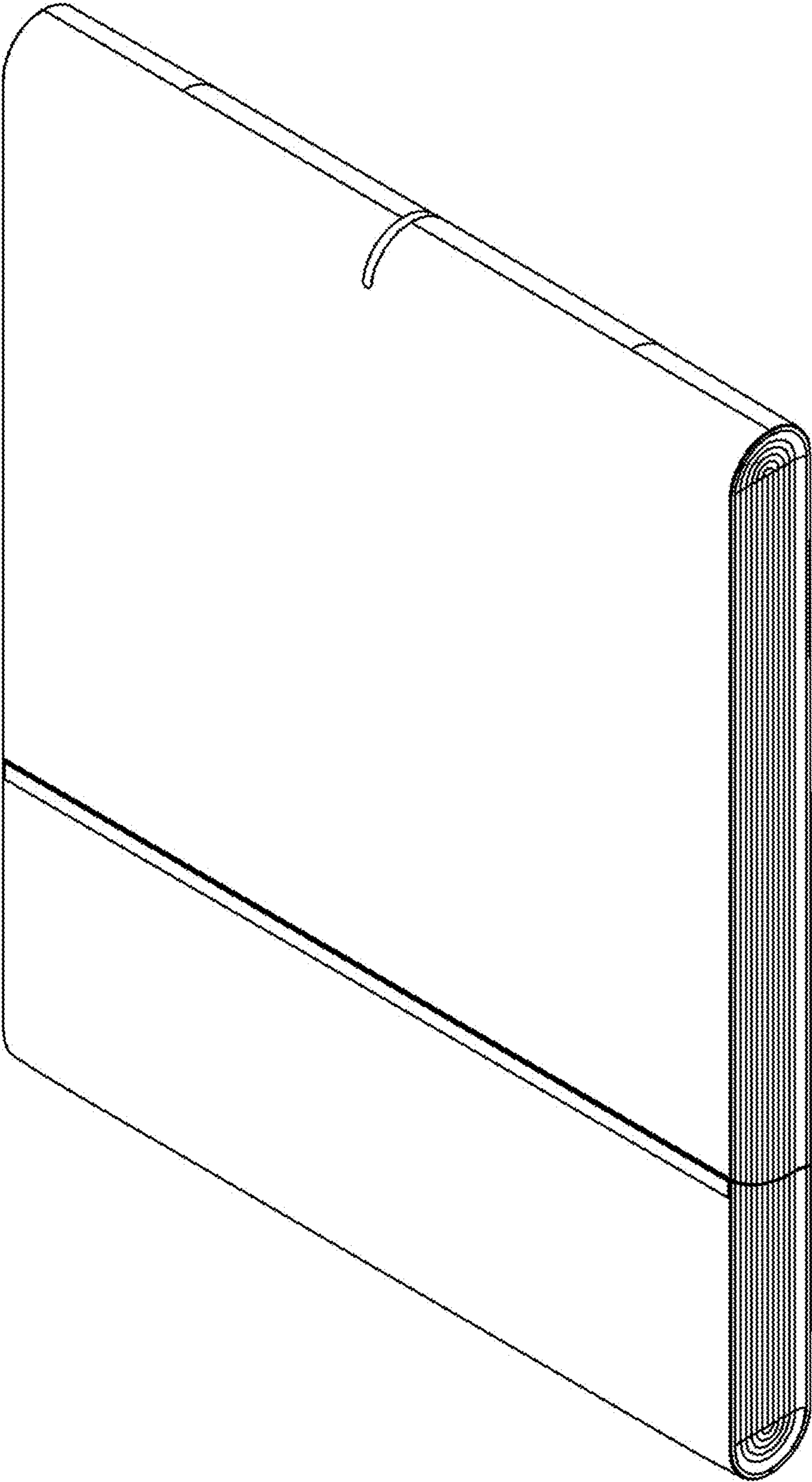


FIG. 1

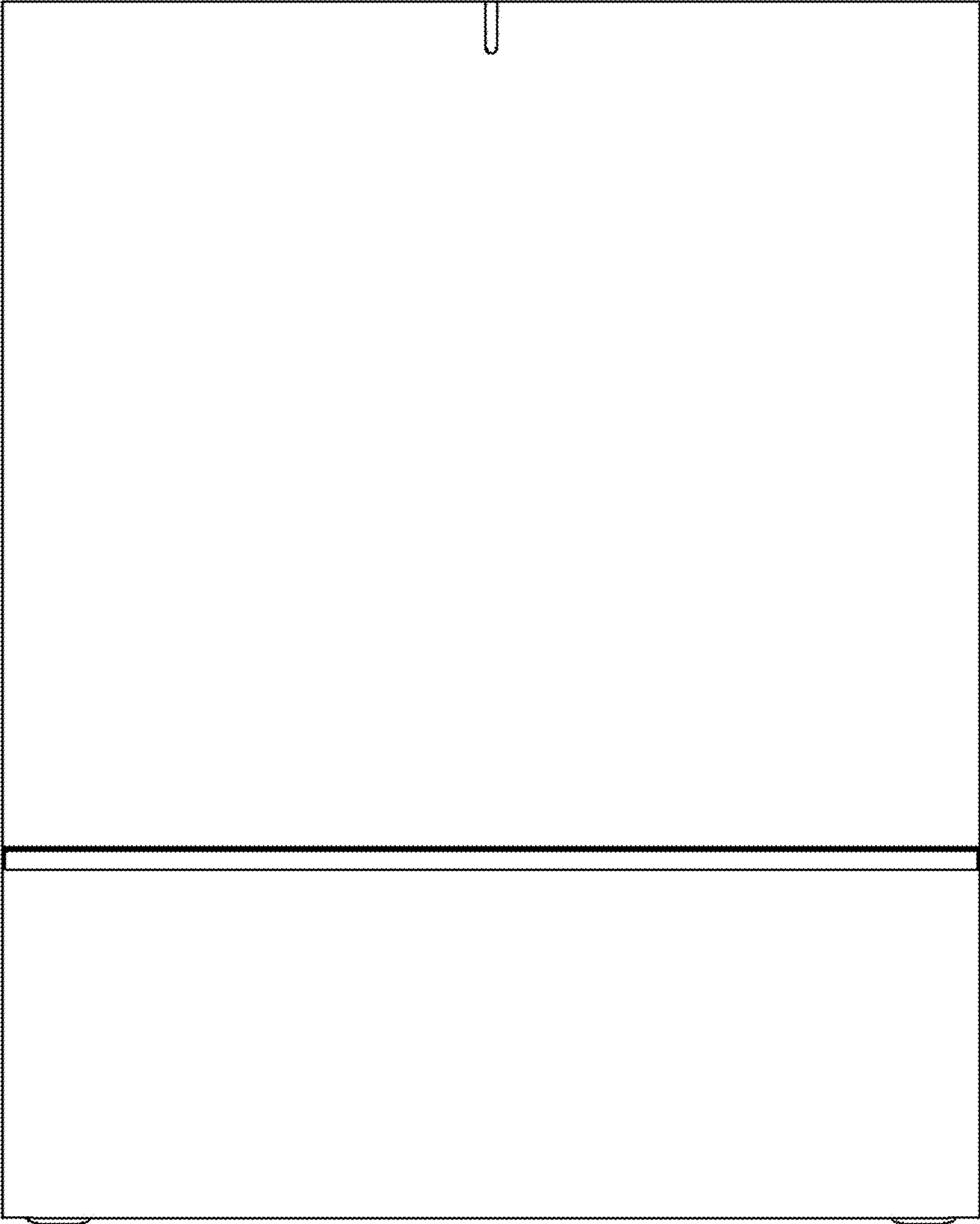


FIG. 2

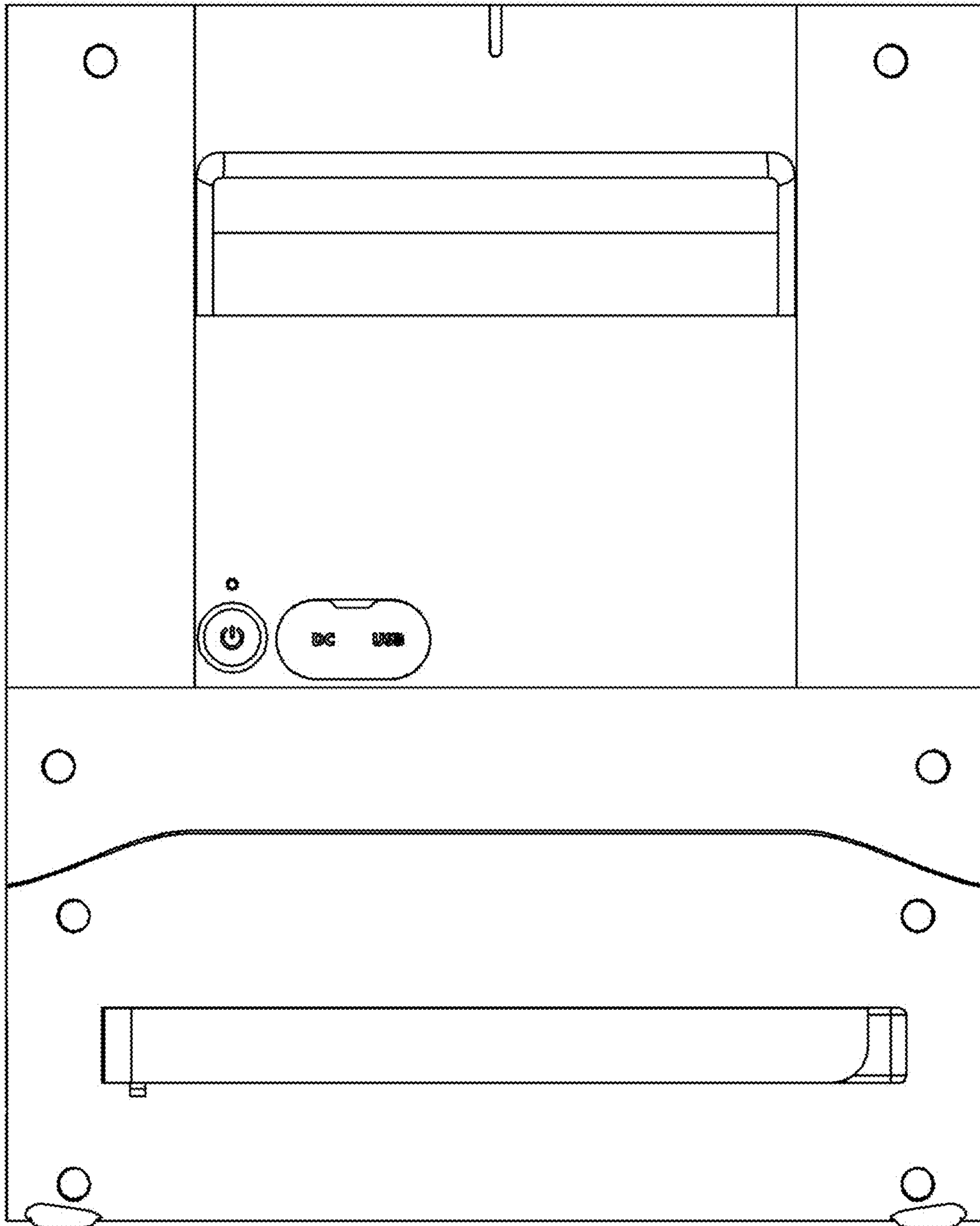


FIG. 3

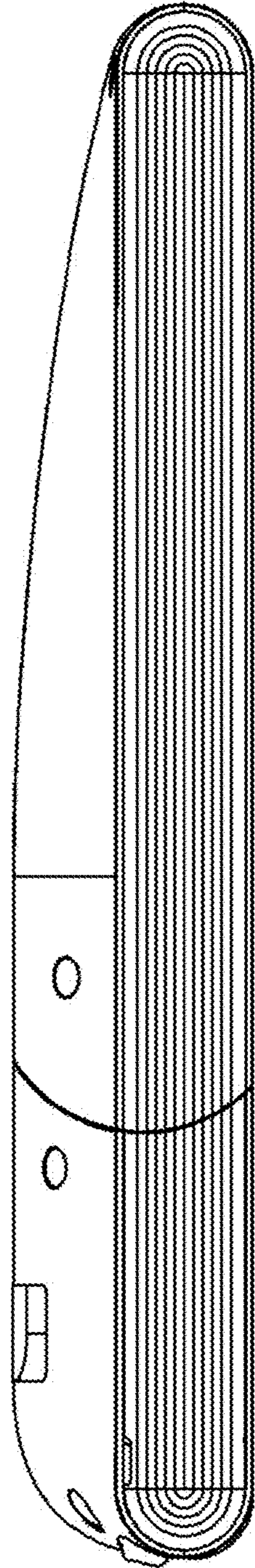


FIG. 4

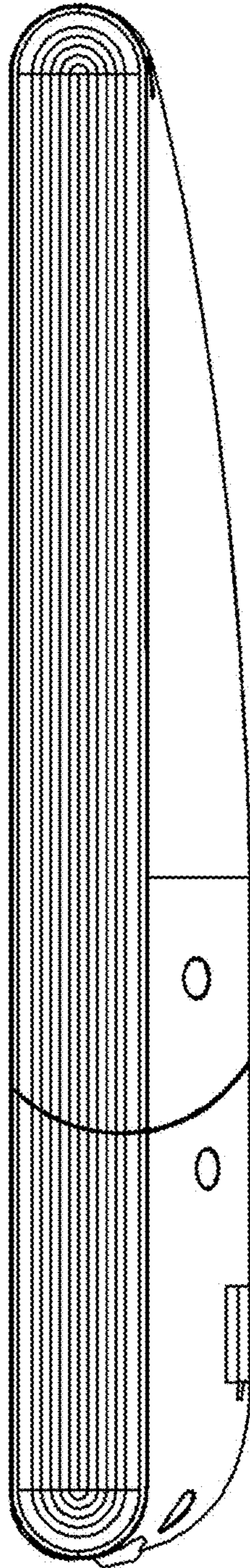


FIG. 5

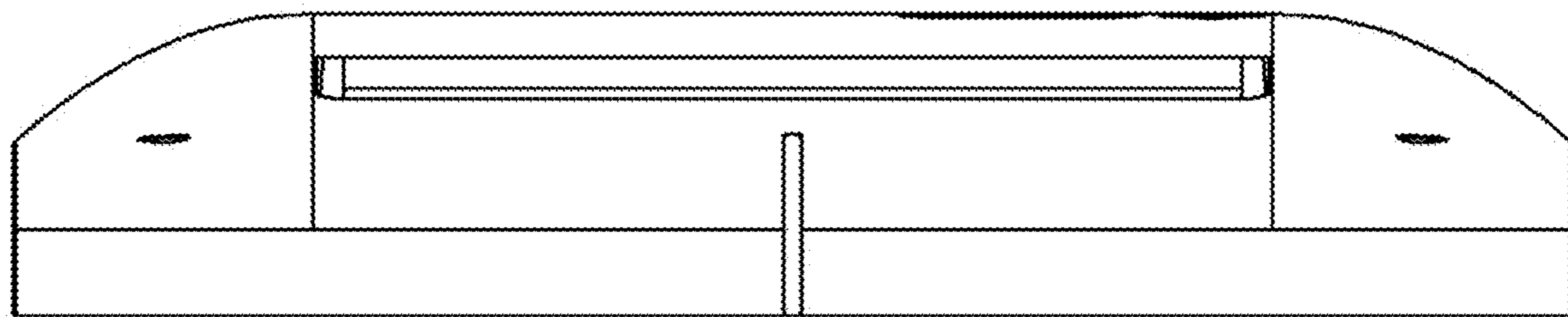


FIG. 6

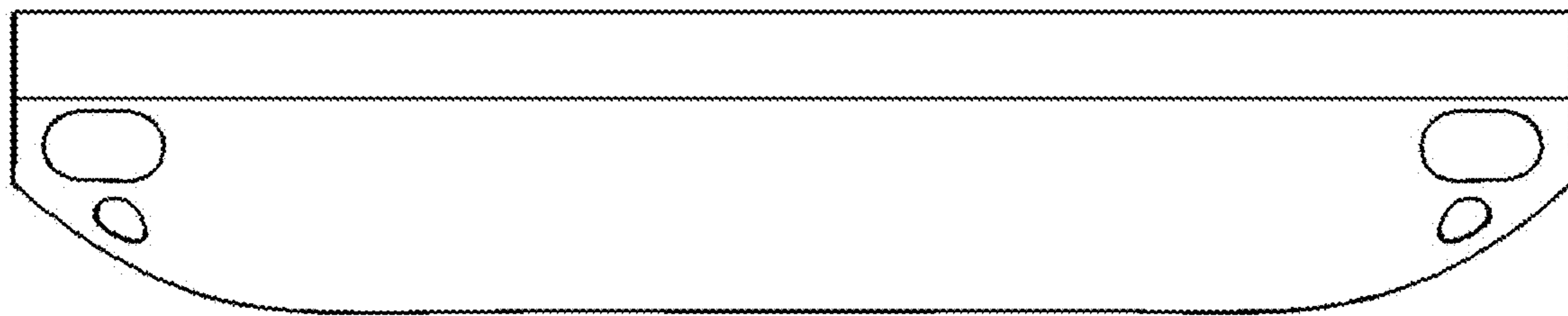


FIG. 7

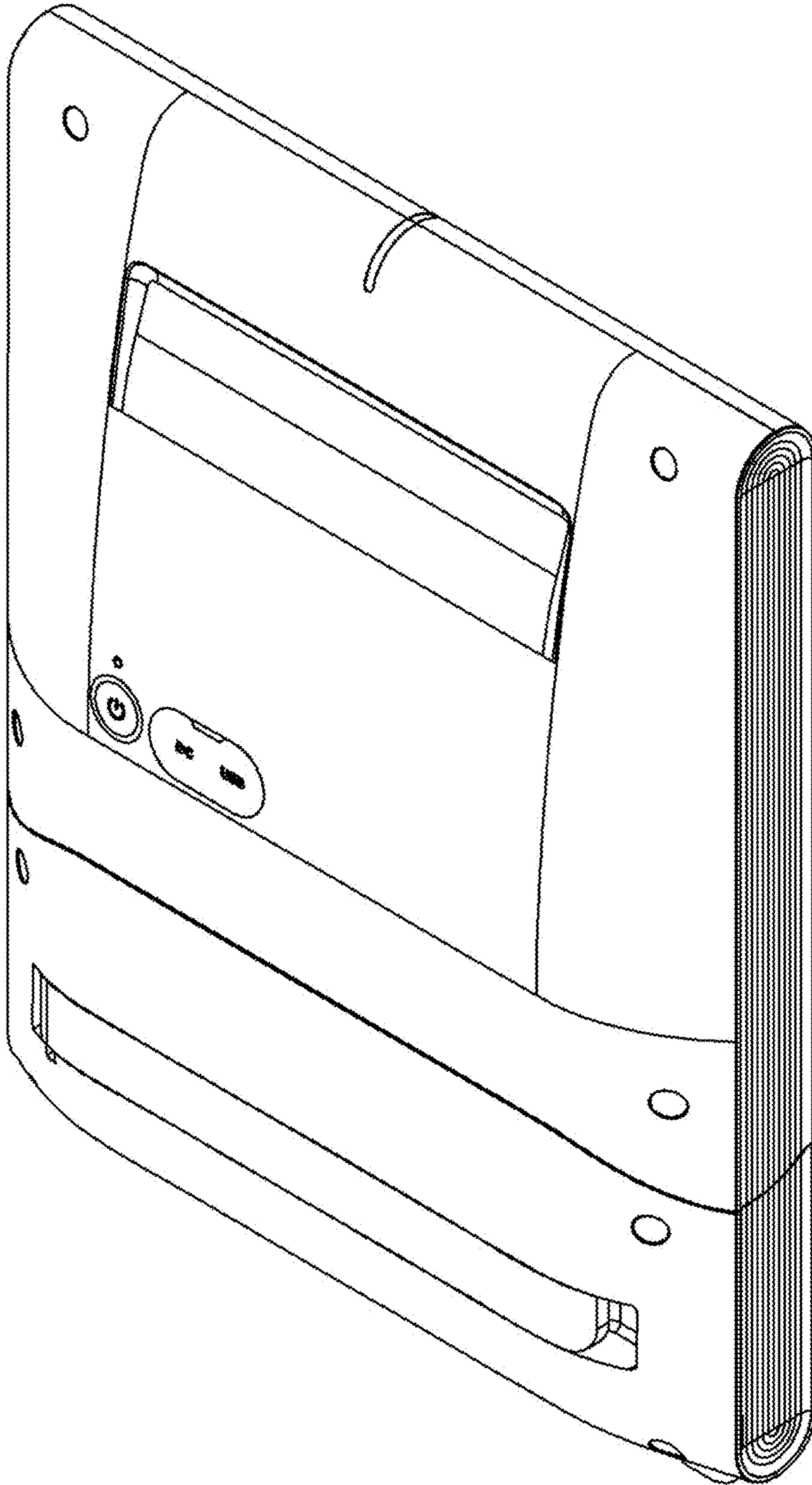


FIG. 8

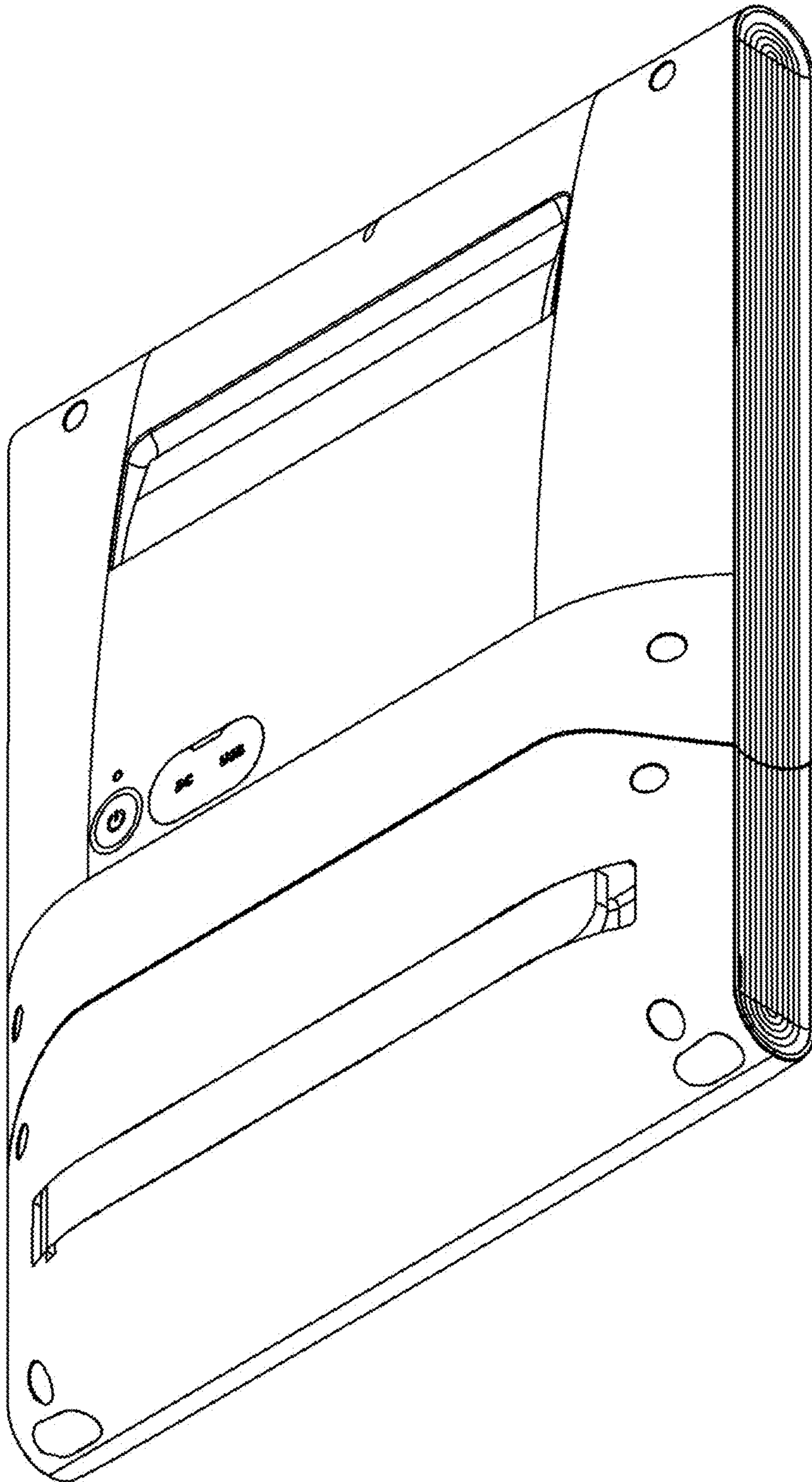


FIG. 9

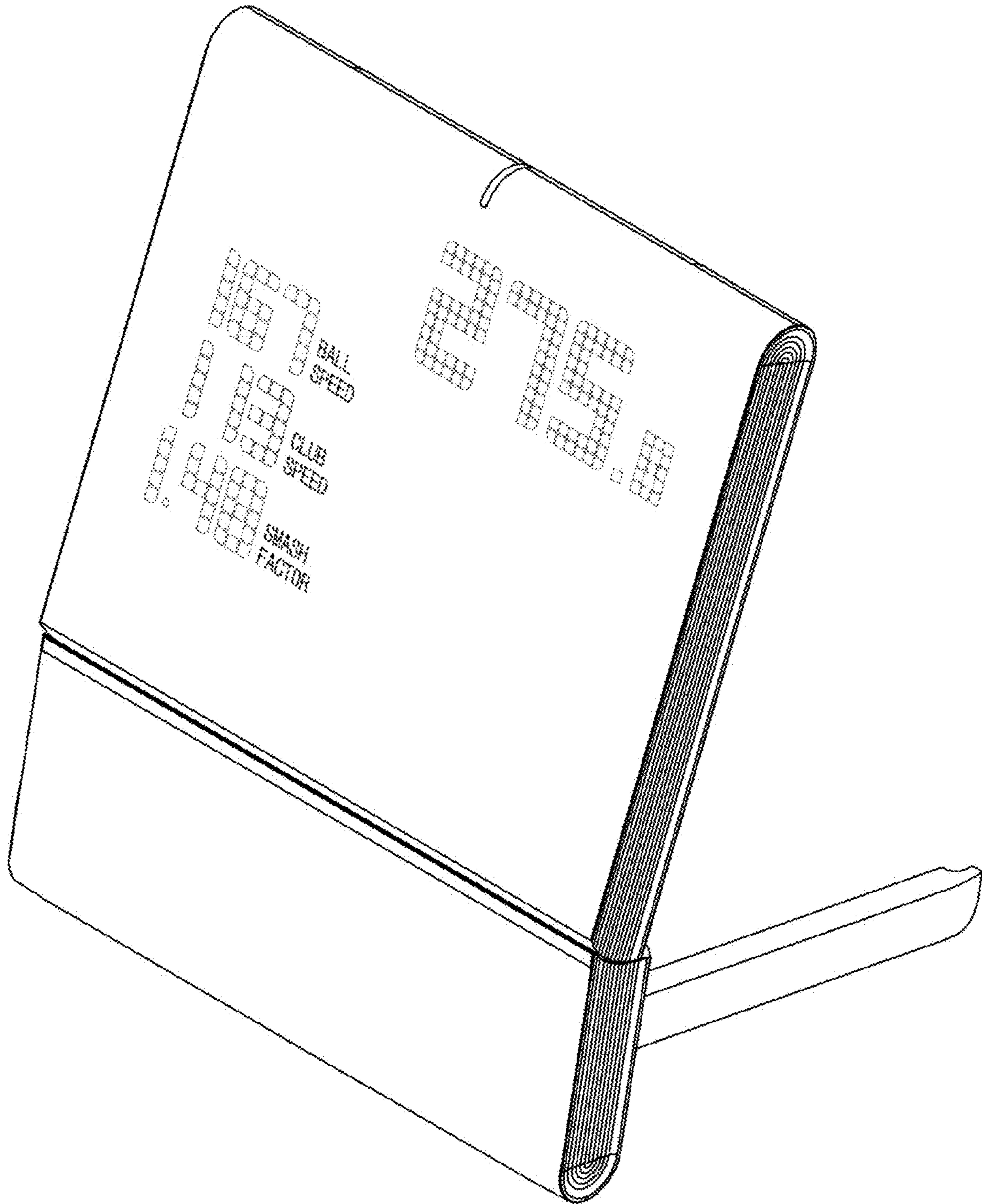


FIG. 10