



US00D885943S

(12) **United States Design Patent** (10) **Patent No.:** **US D885,943 S**
Yu (45) **Date of Patent:** **** Jun. 2, 2020**

(54) **MULTI-FUNCTIONAL THERMOMETER**

D738,756 S * 9/2015 Jiang D10/50
D760,398 S * 6/2016 Douglas D24/210
D802,450 S * 11/2017 Boynton D10/50

(71) Applicant: **FUZHOU ESUN ELECTRONIC CO., LTD**, Fuzhou, Fujian (CN)

FOREIGN PATENT DOCUMENTS

(72) Inventor: **Guo Yu**, Fujian (CN)

CN 3318636 * 1/2003
CN 201330177096 * 5/2013
CN 201730241359 * 5/2017
EM 002236042-0001 * 5/2013

(73) Assignee: **FUZHOU ESUN ELECTRONIC CO., LTD**, Fuzhou (CN)

* cited by examiner

(**) Term: **15 Years**

Primary Examiner — Sheryl Lane

(21) Appl. No.: **29/636,926**

Assistant Examiner — Samantha N Wood

(22) Filed: **Feb. 12, 2018**

(57) **CLAIM**

(51) **LOC (12) Cl.** **10-04**

The ornamental design for a multi-functional thermometer, as shown and described.

(52) **U.S. Cl.**

DESCRIPTION

USPC **D10/57**

(58) **Field of Classification Search**

USPC ... D10/57, 58, 55, 53, 52, 50, 51, 49, 15, 2, D10/21, 24; D14/171, 170, 169, 138 R, D14/159, 126

CPC G01K 2207/02; G01K 2207/00; G01K 2207/04; G01K 2207/06; G01K 2207/08; G01K 1/08

See application file for complete search history.

FIG. 1 is a first perspective view of a multi-functional thermometer showing my new design;

FIG. 2 is a second perspective view thereof;

FIG. 3 is a front elevational view thereof;

FIG. 4 is a rear elevational view thereof;

FIG. 5 is a left side view thereof;

FIG. 6 is a right side view thereof;

FIG. 7 is a top plan view thereof;

FIG. 8 is a bottom plan view thereof; and,

FIG. 9 is a third perspective view showing the multi-functional thermometer in a use state.

The broken lines in the drawings illustrate portions of the multi-functional thermometer which form no part of the claimed design.

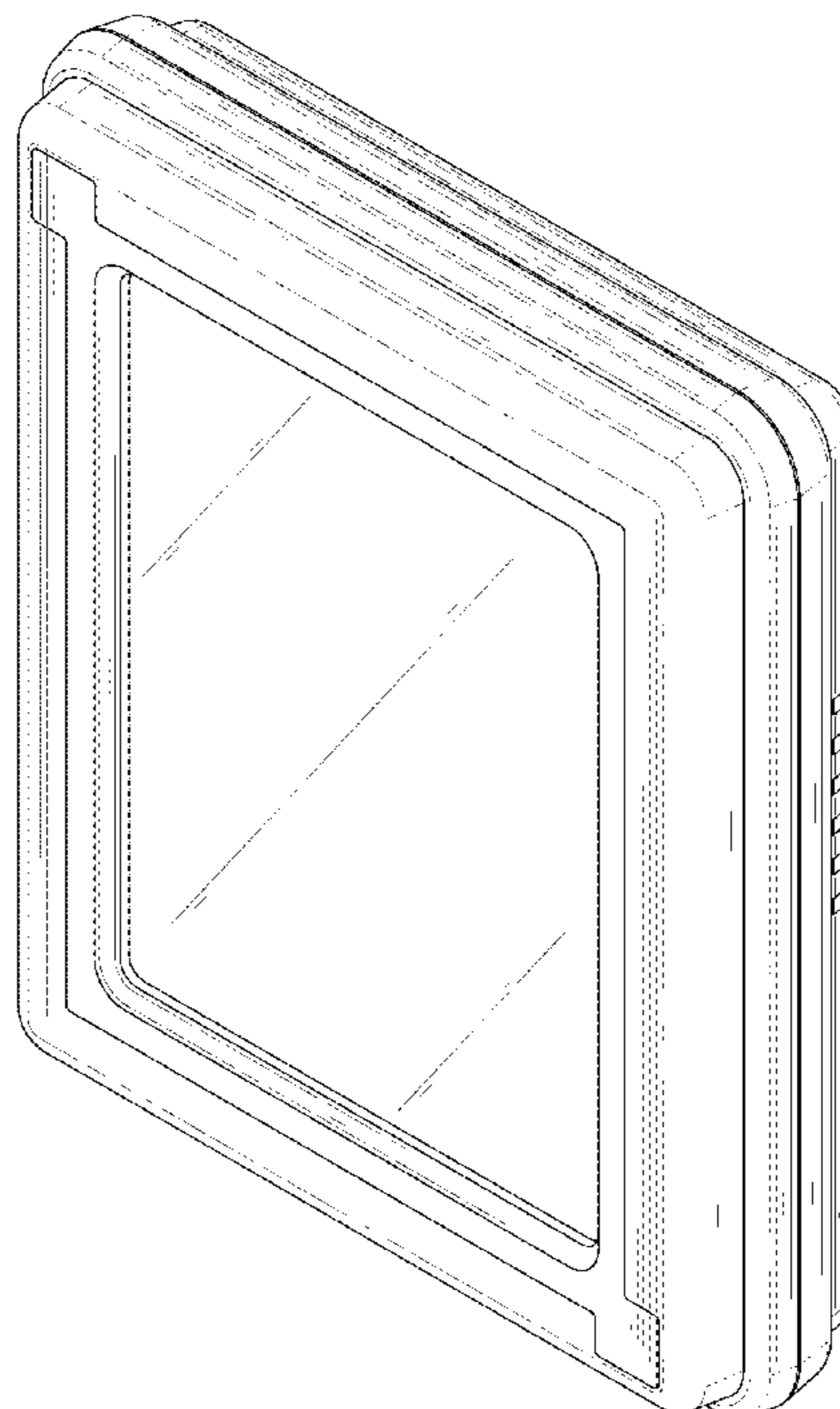
The diagonal lines in the drawings represent reflective surfaces.

(56) **References Cited**

U.S. PATENT DOCUMENTS

D309,270 S * 7/1990 Uchiyama D10/57
D316,375 S * 4/1991 Tiedemann D10/50
D408,296 S * 4/1999 Hui D10/1
D518,744 S * 4/2006 Rosen D10/50
D579,799 S * 11/2008 Barton D10/50
D582,804 S * 12/2008 Flandin D10/57
D670,579 S * 11/2012 Cooney D10/57

1 Claim, 9 Drawing Sheets



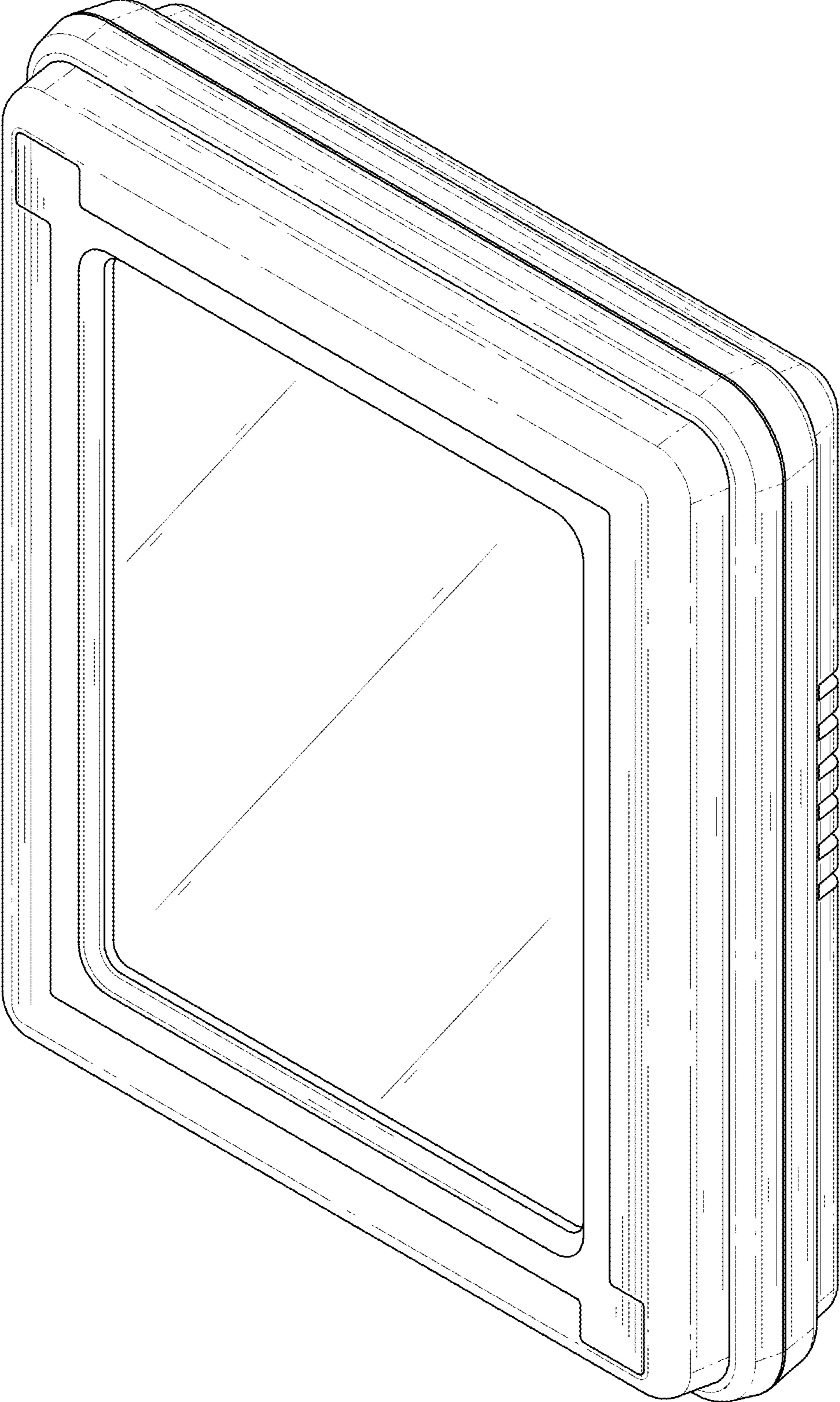


FIG. 1

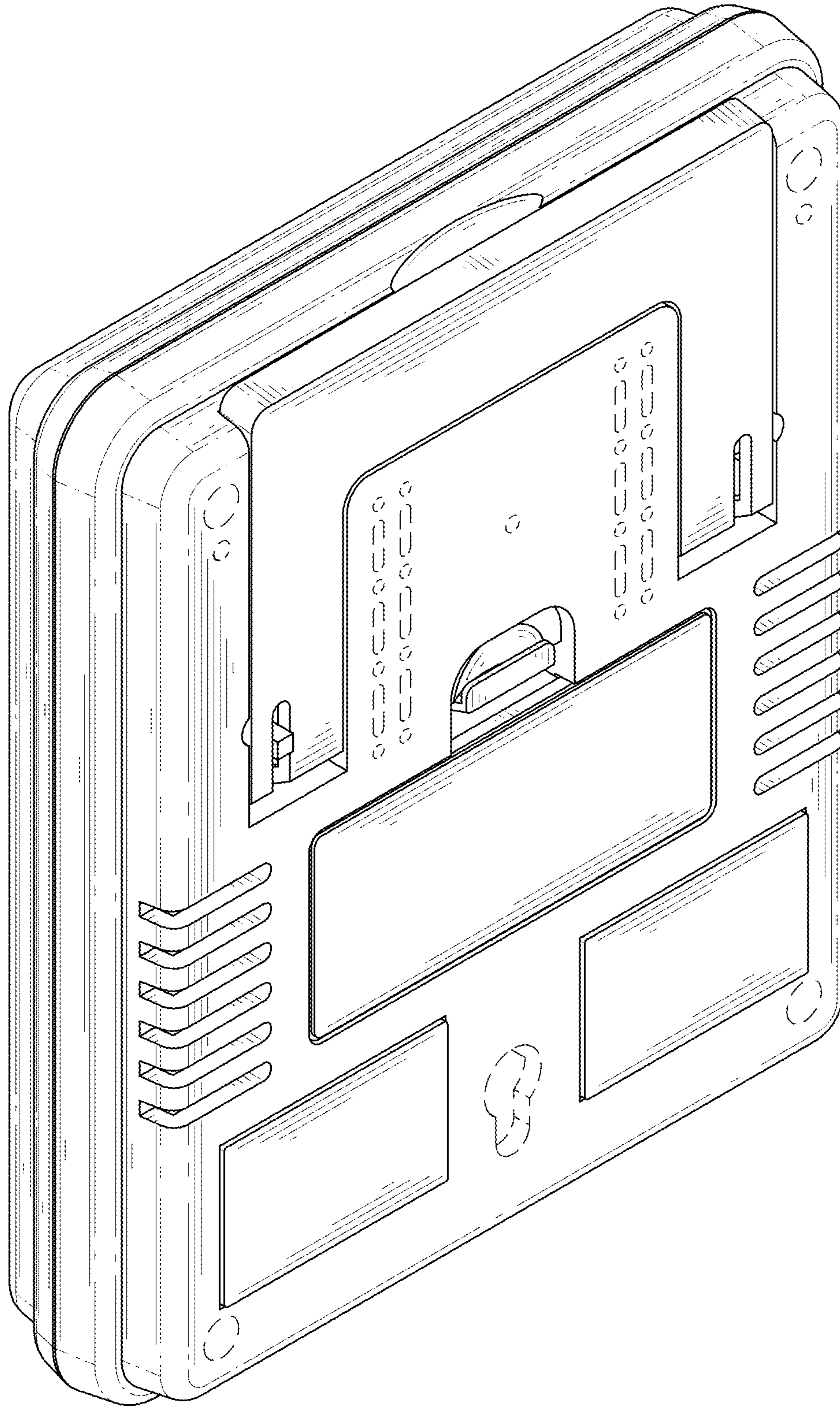


FIG. 2

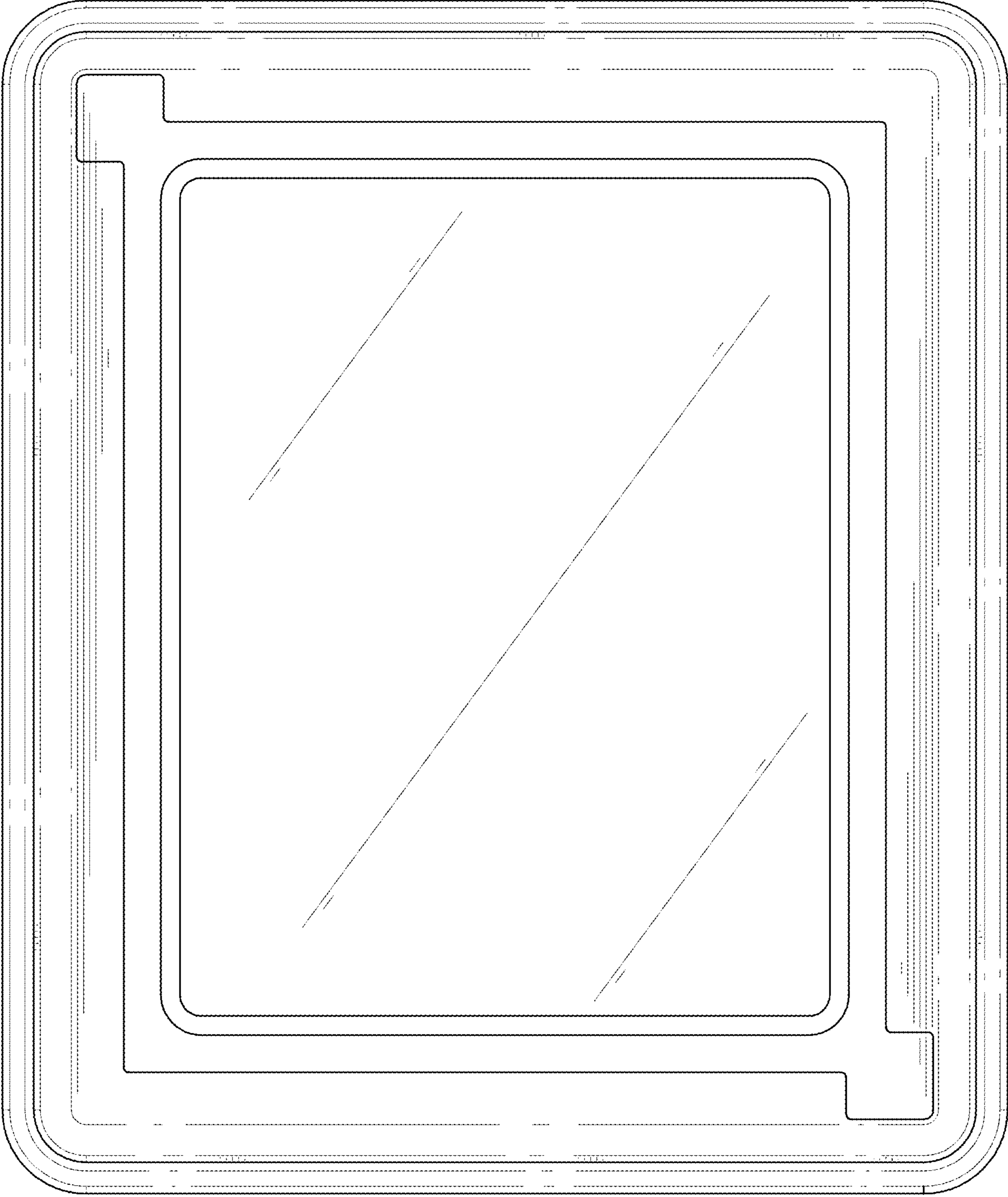


FIG. 3

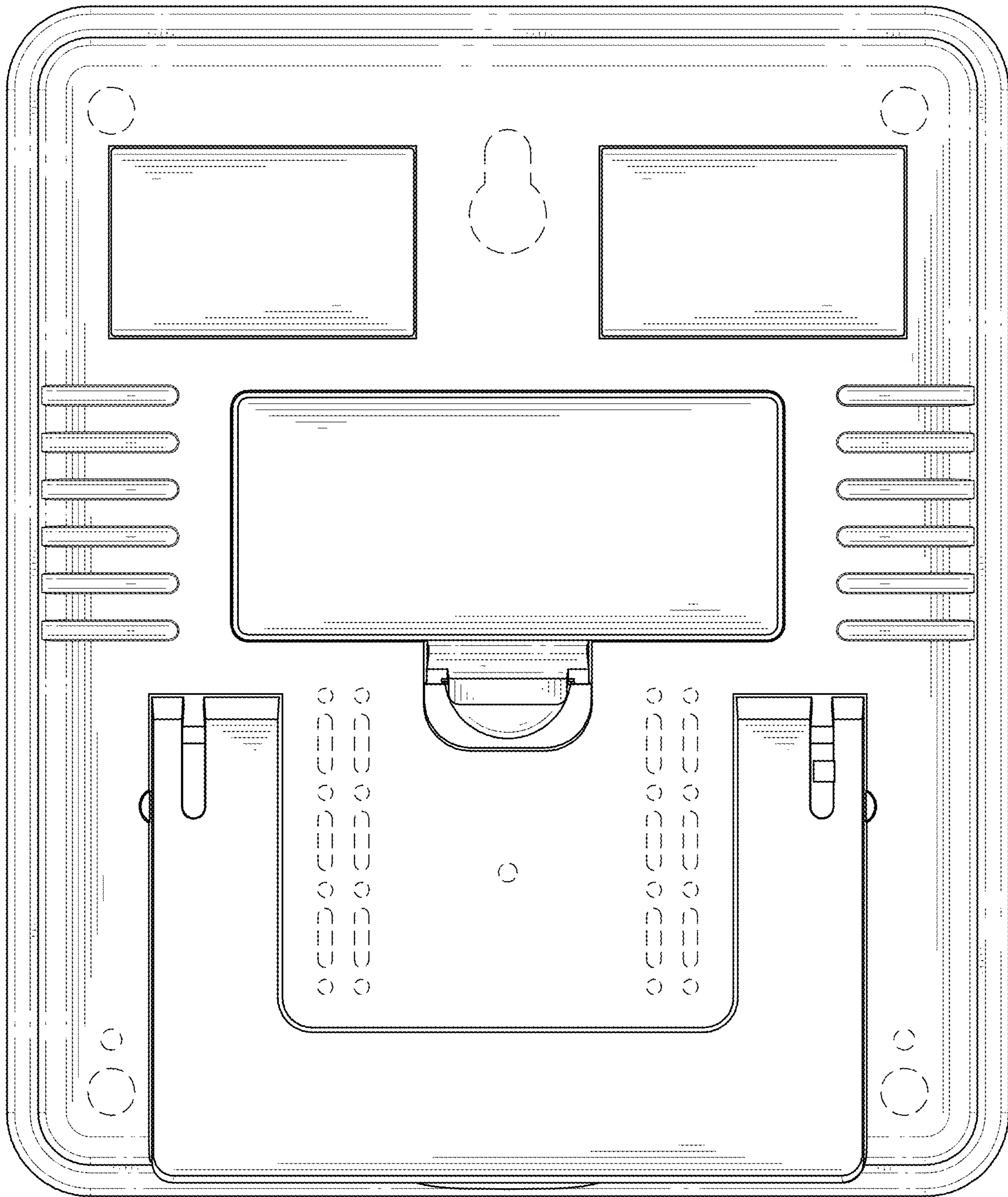


FIG. 4

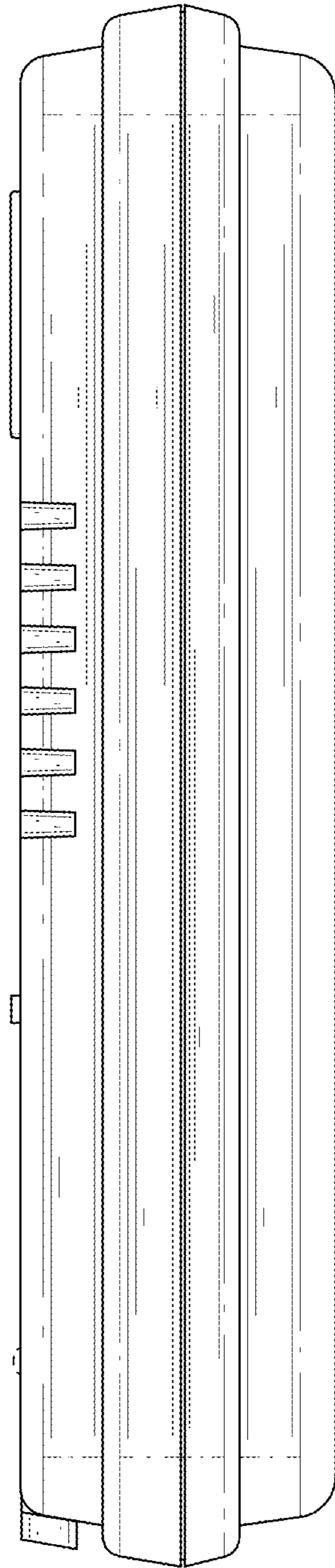


FIG. 5

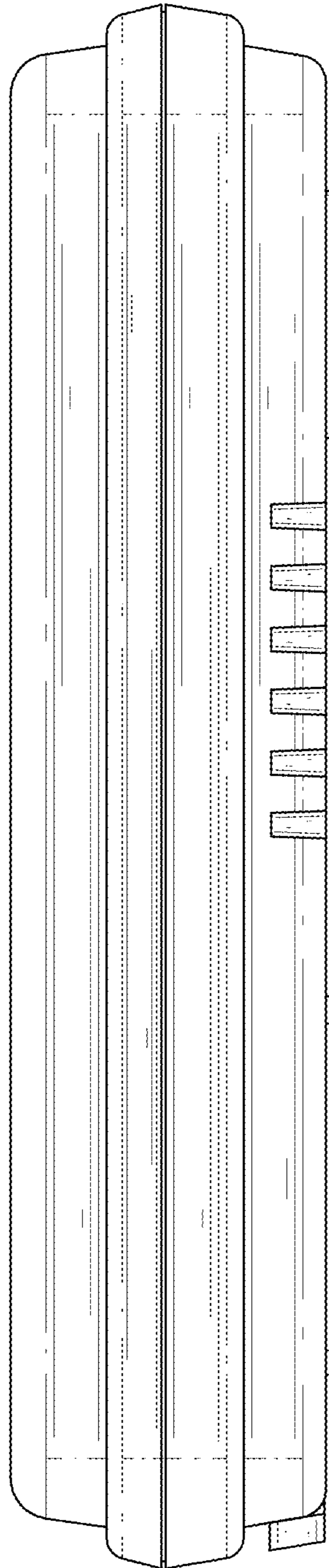


FIG. 6

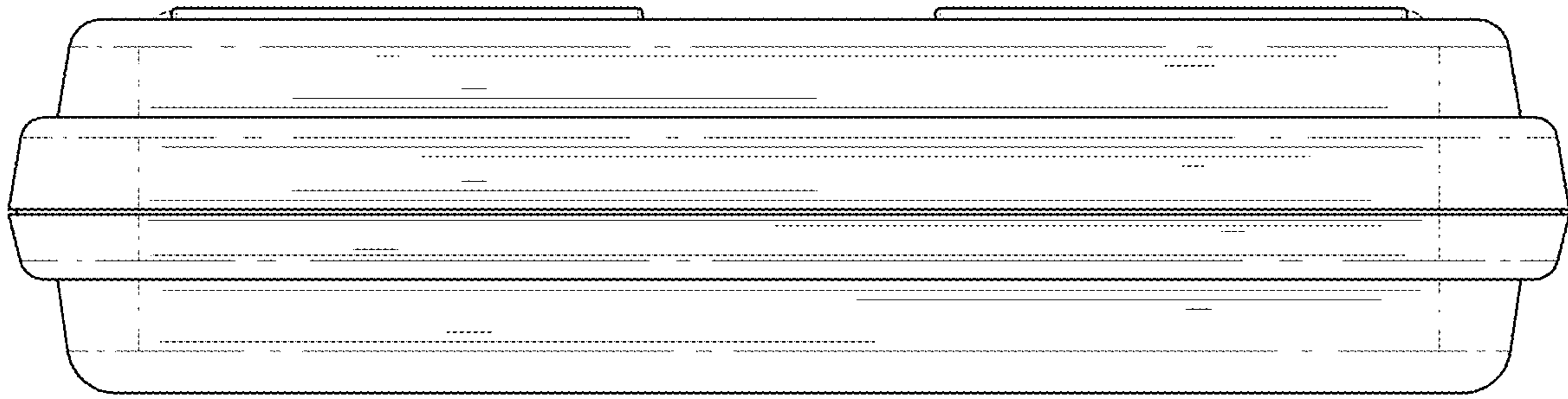


FIG. 7

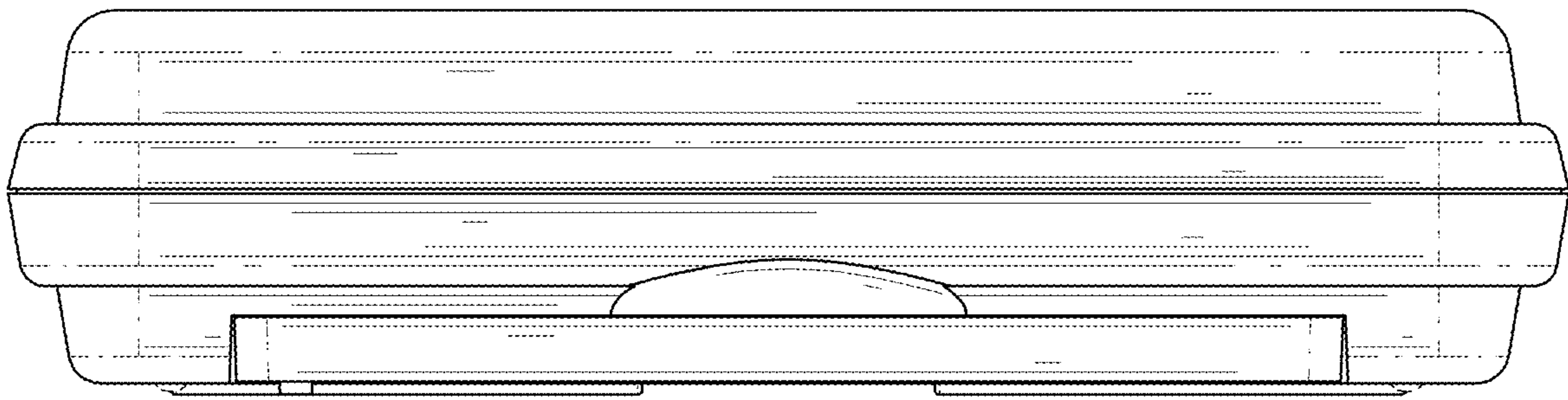


FIG. 8

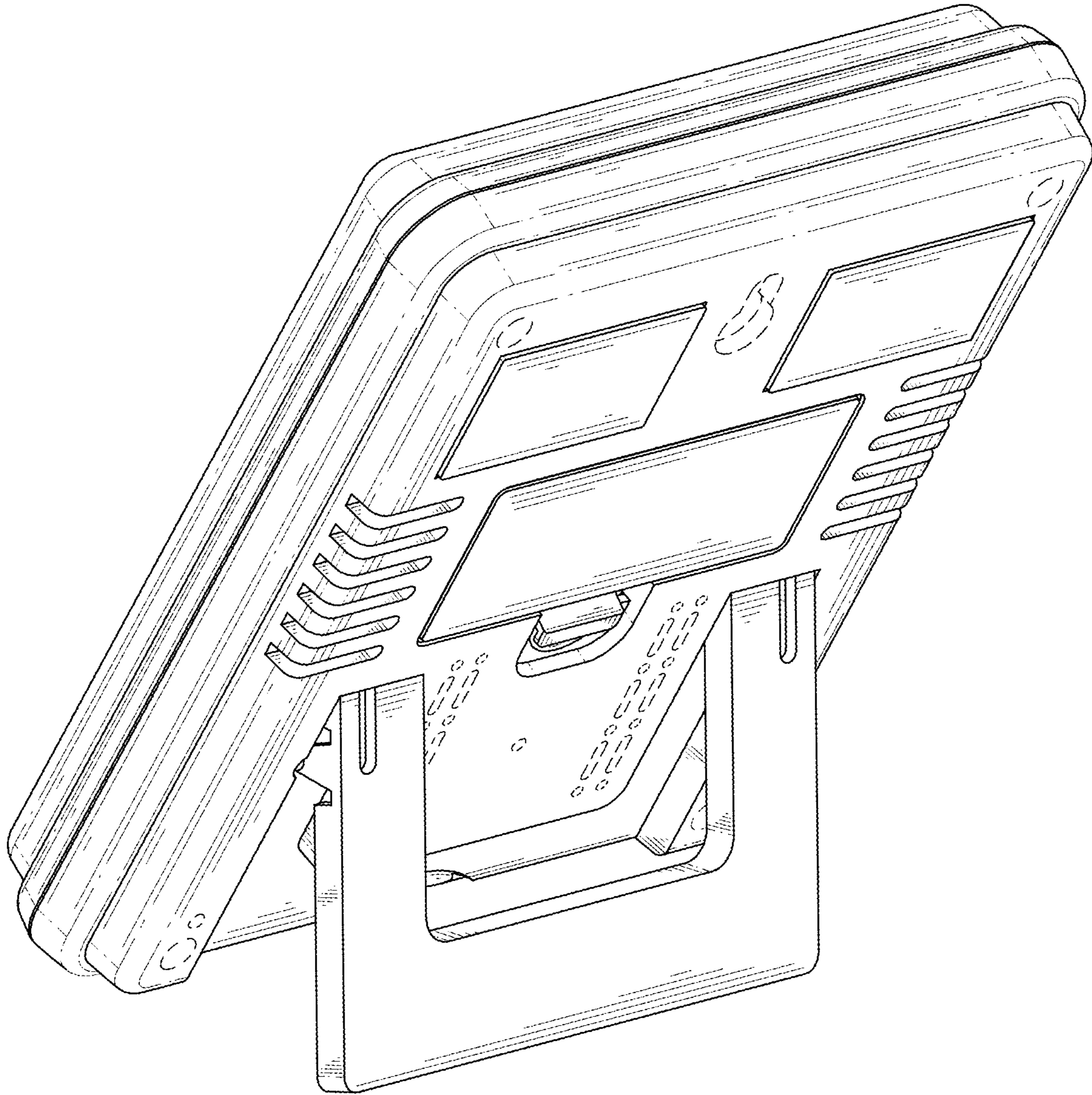


FIG. 9