



US00D885941S

(12) **United States Design Patent**
Keevy et al.

(10) **Patent No.:** **US D885,941 S**
(45) **Date of Patent:** **** Jun. 2, 2020**

(54) **GROUND PENETRATING RADAR**

(71) Applicant: **Hilti Aktiengesellschaft**, Schaan (LI)

(72) Inventors: **Graham Keevy**, Aalen (DE); **Christian Scheidel**, Aalen (DE); **Tobias Königer**, Bregenz (AT)

(73) Assignee: **Hilti Aktiengesellschaft**, Schaan (LI)

(**) Term: **15 Years**

(21) Appl. No.: **35/507,123**

(22) Filed: **Nov. 26, 2018**

(80) **Hague Agreement Data**

Int. Filing Date: **Nov. 26, 2018**
Int. Reg. No.: **DM/202028**
Int. Reg. Date: **Nov. 26, 2018**
Int. Reg. Pub. Date: **Jul. 26, 2019**

(30) **Foreign Application Priority Data**

Jun. 26, 2018 (LI) 2018-575

(51) **LOC (12) Cl.** **10-05**

(52) **U.S. Cl.**
USPC **D10/47**

(58) **Field of Classification Search**

USPC D10/46, 47, 61, 65, 70; D16/130
CPC G01S 13/00; G01S 13/88; G01S 13/885;
G01S 13/888; G01S 13/89; G01S 13/895
See application file for complete search history.

(56) **References Cited**

U.S. PATENT DOCUMENTS

D307,284 S * 4/1990 Del Corno D10/47
D311,871 S * 11/1990 Duftschmid D10/47
D684,871 S * 6/2013 Lintner D10/47
D700,073 S * 2/2014 Lintner D10/47

D700,074 S * 2/2014 Lintner D10/47
D721,287 S * 1/2015 Dugas D10/47
D726,128 S * 4/2015 Brucksch D10/47
D741,927 S * 10/2015 Li D16/130
9,194,950 B2 * 11/2015 Watts G01V 3/08
D818,848 S * 5/2018 Joung G01V 3/08
D10/47
D828,862 S * 9/2018 Fang D16/130
D867,169 S * 11/2019 Barron D10/47
2010/0225299 A1 * 9/2010 Nguyen G01V 3/10
324/67

* cited by examiner

Primary Examiner — George D. Kirschbaum

Assistant Examiner — Joseph J Kukella

(74) *Attorney, Agent, or Firm* — Crowell & Moring LLP

(57) **CLAIM**

The ornamental design for a ground penetrating radar, as shown and described.

DESCRIPTION

1.-2. Ground penetrating radar

1.1 : Perspective

1.2 : Front

1.3 : Back

1.4 : Left

1.5 : Right

1.6 : Top

1.7 : Bottom

2.1 : Perspective

2.2 : Front

2.3 : Back

2.4 : Left

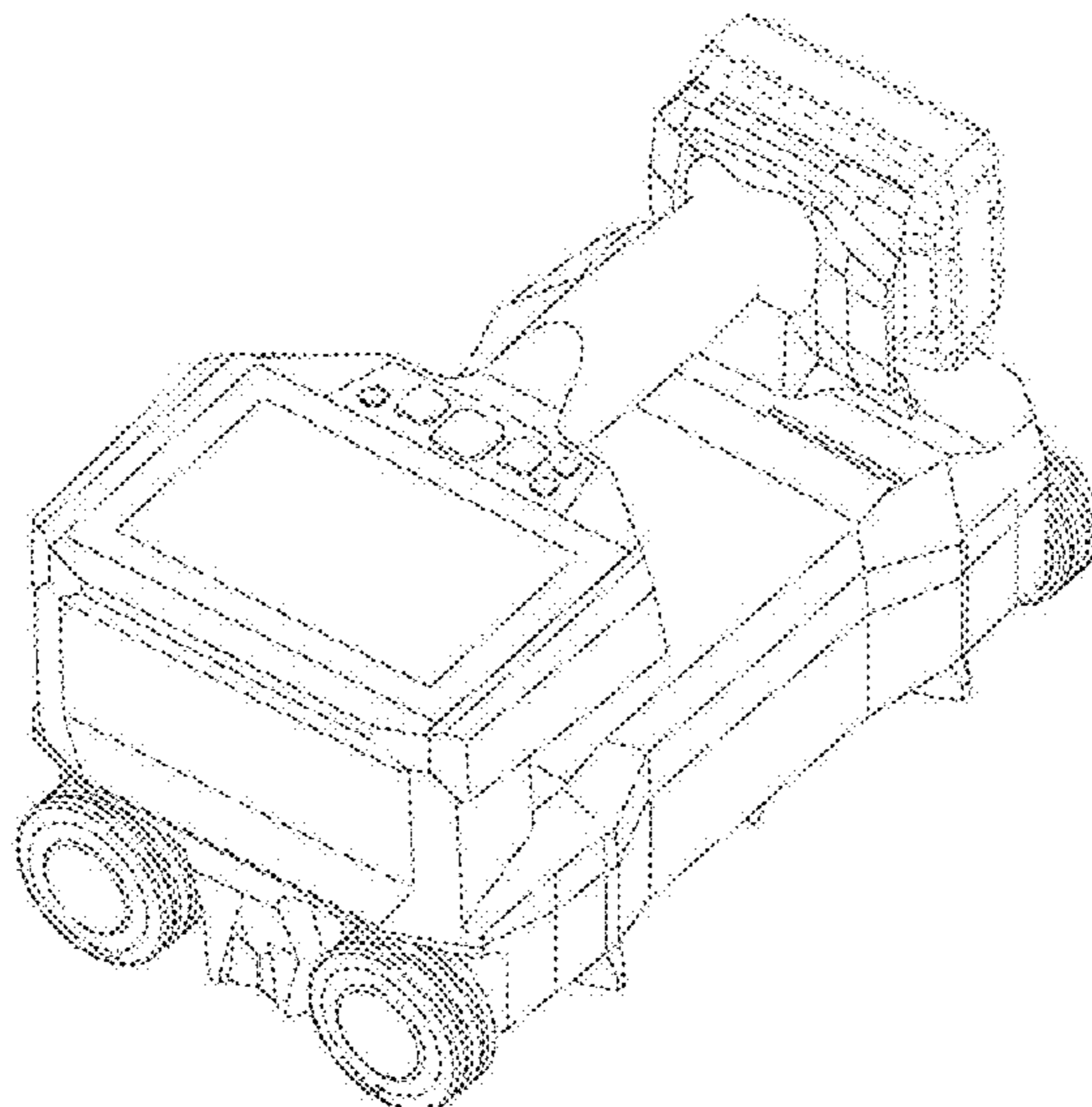
2.5 : Right

2.6 : Top

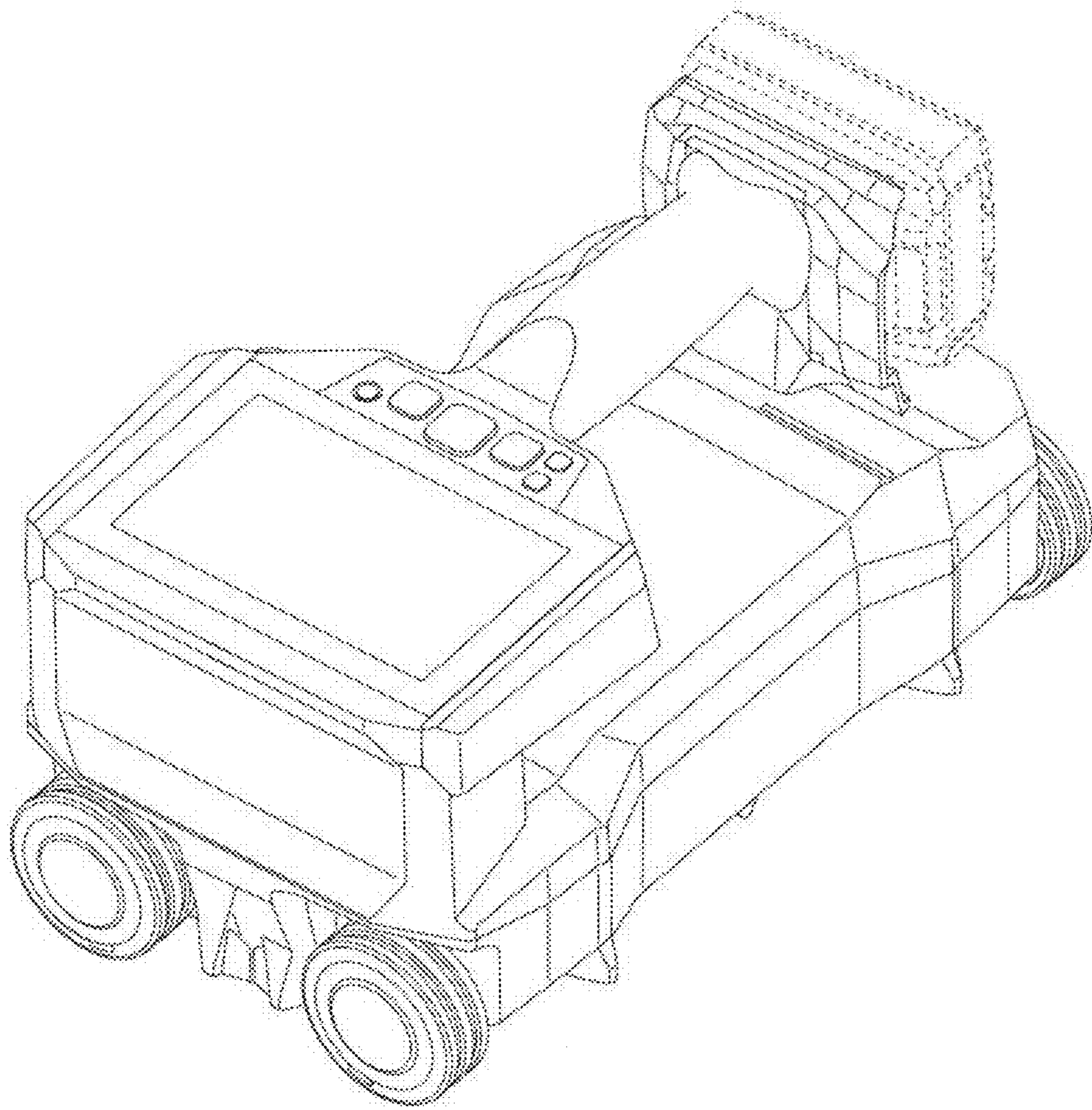
2.7 : Bottom

In the drawings, the broken lines depict portions of the ground penetrating radar that form no part of the claimed design.

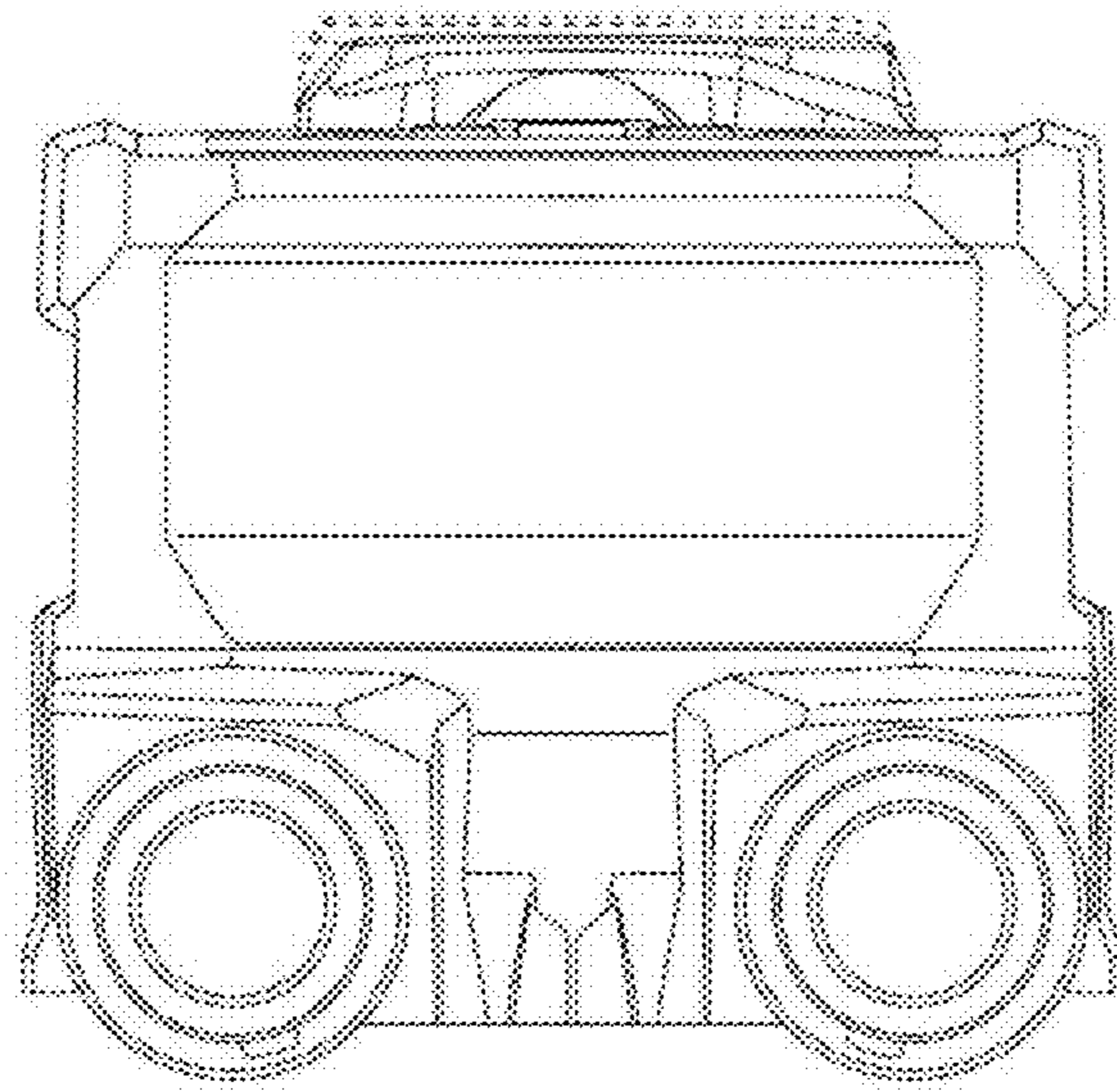
1 Claim, 14 Drawing Sheets



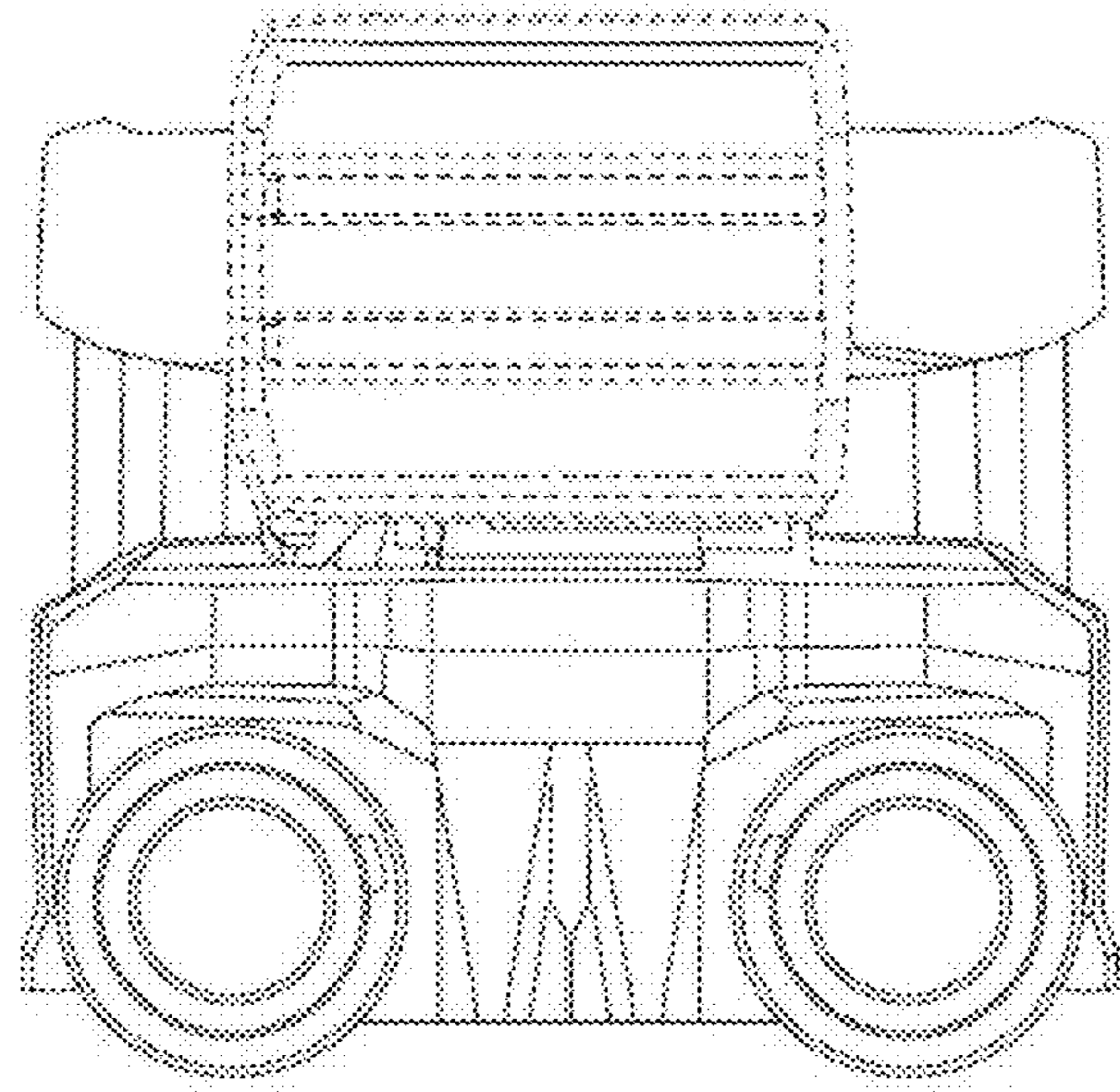
1.1



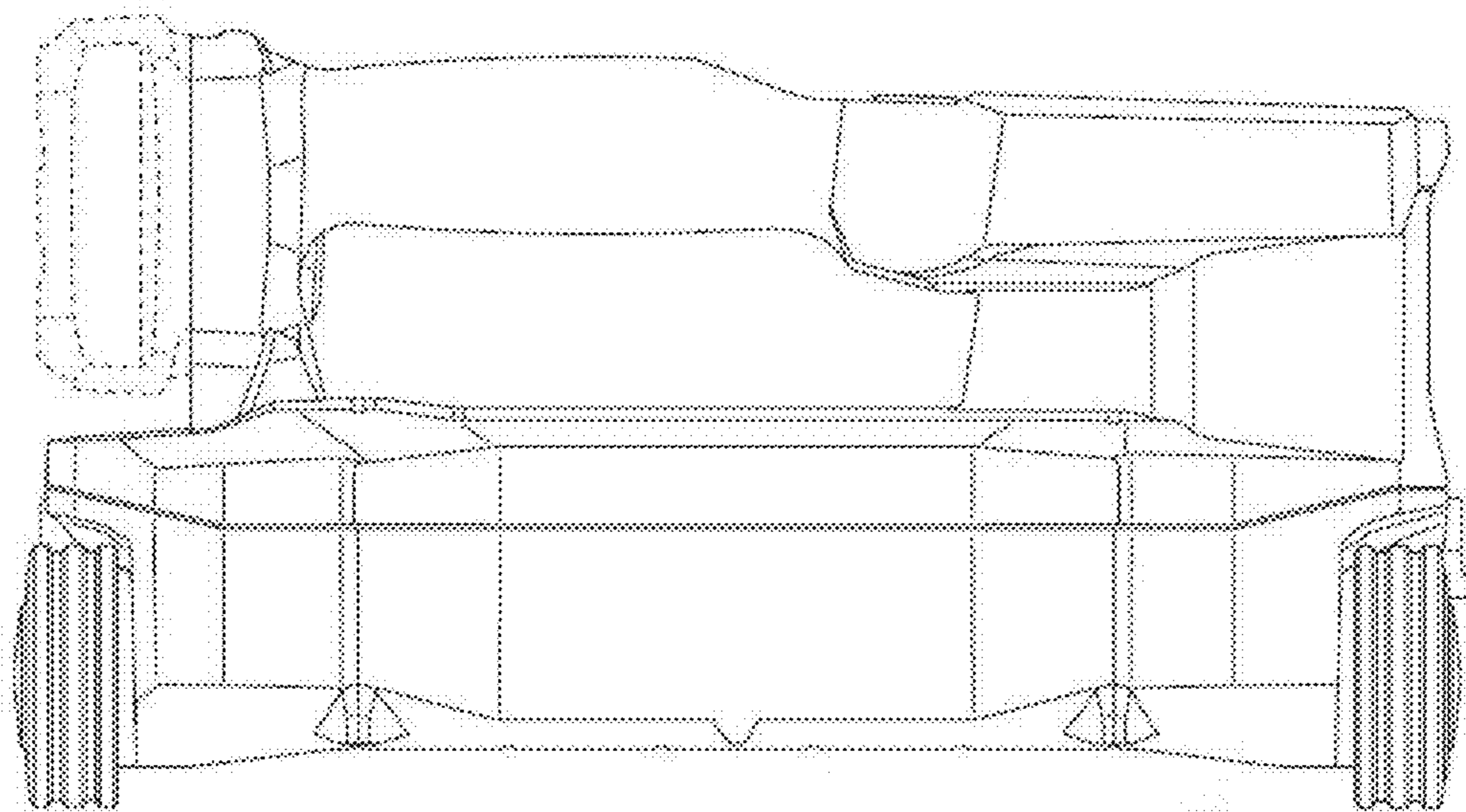
1.2



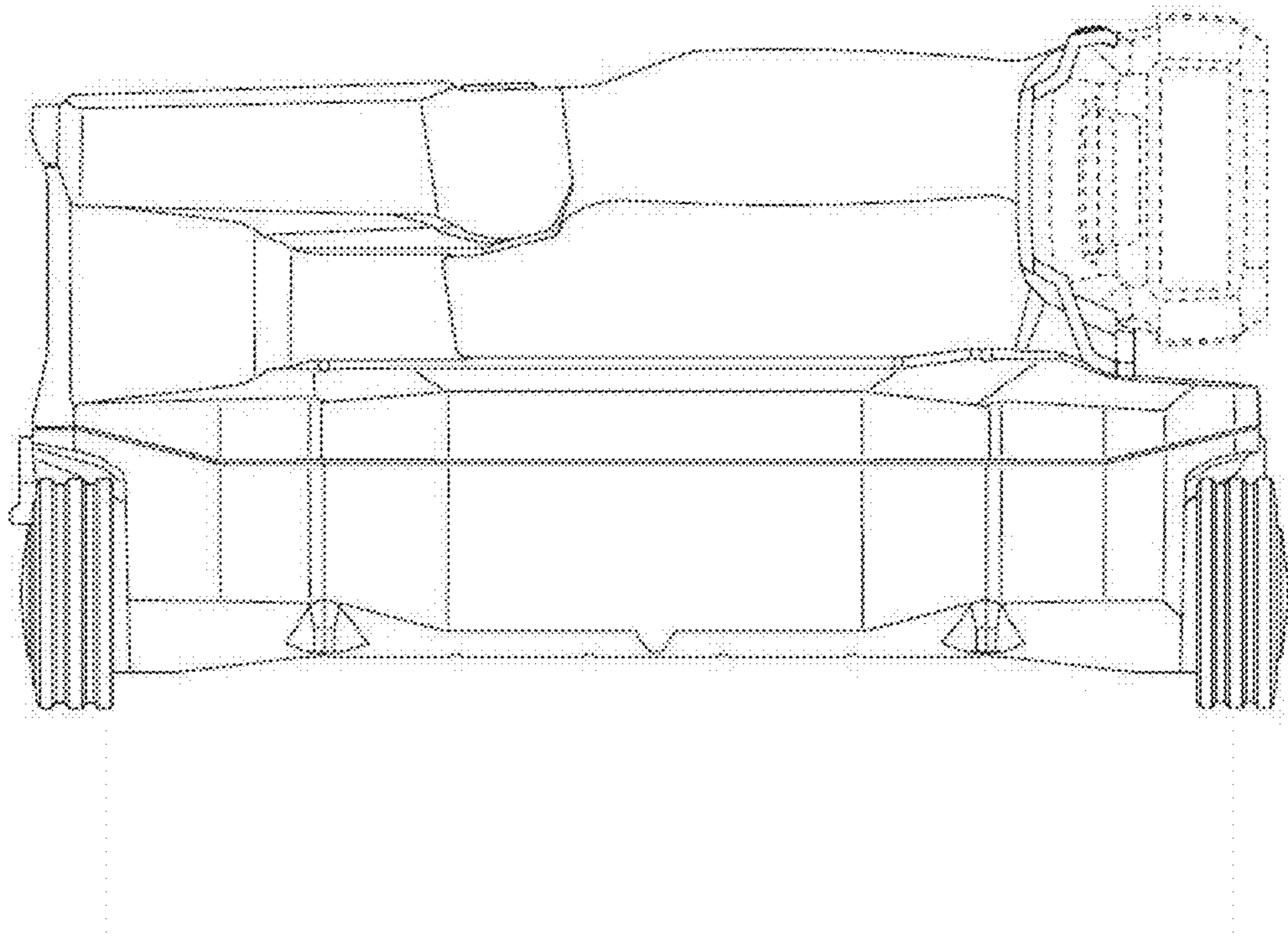
1.3



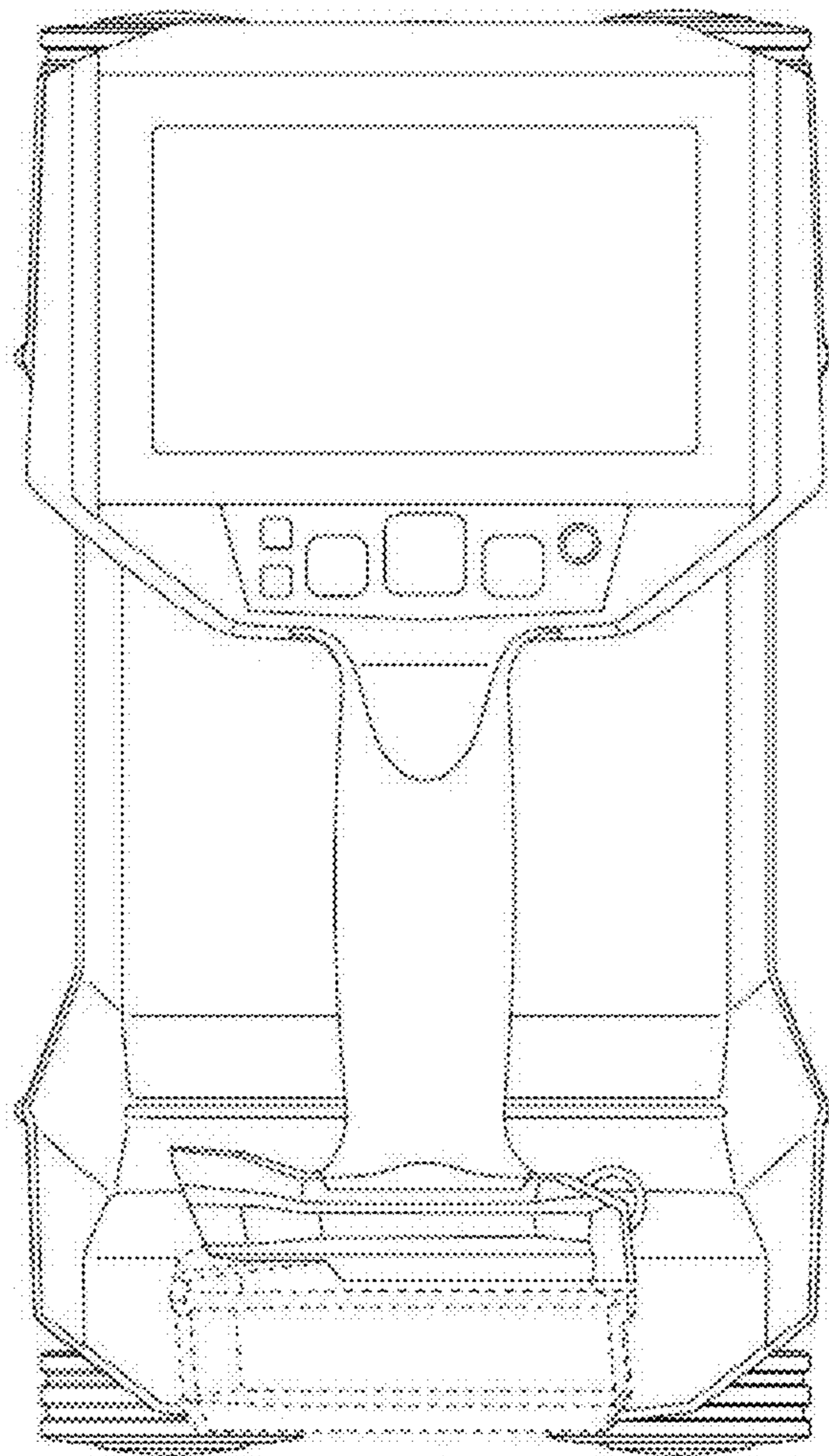
1.4



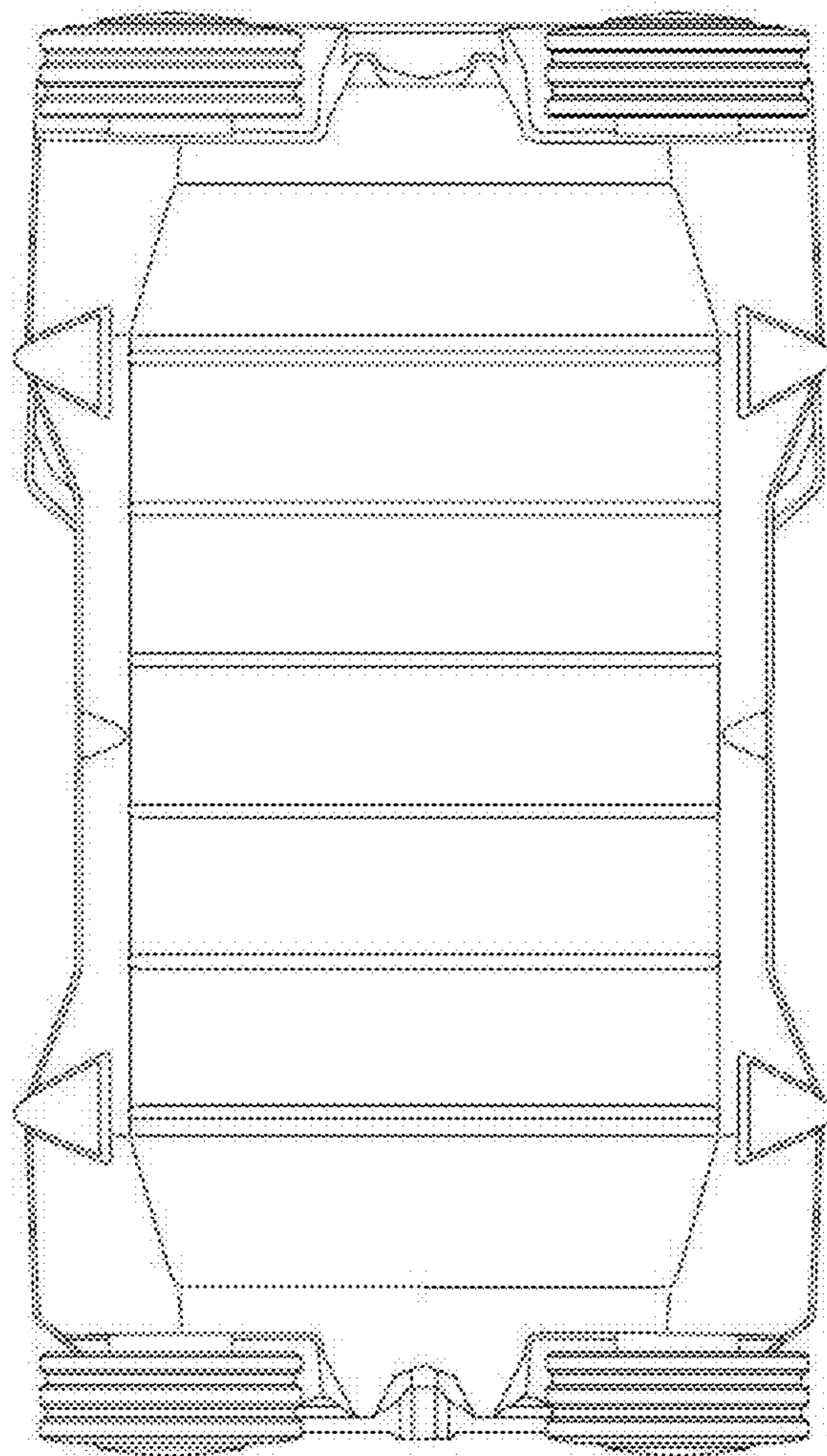
1.5



1.6



1.7



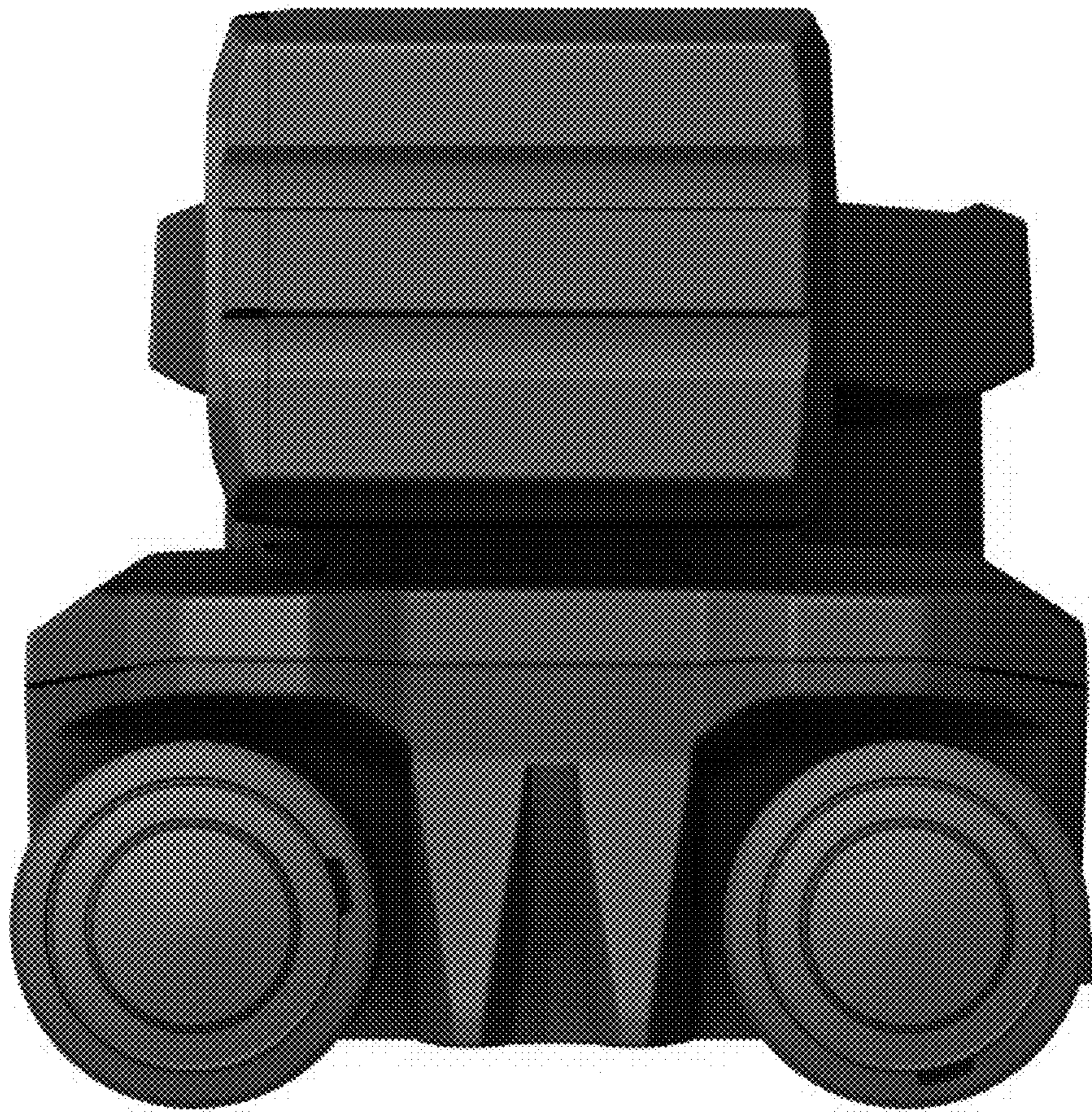
2.1



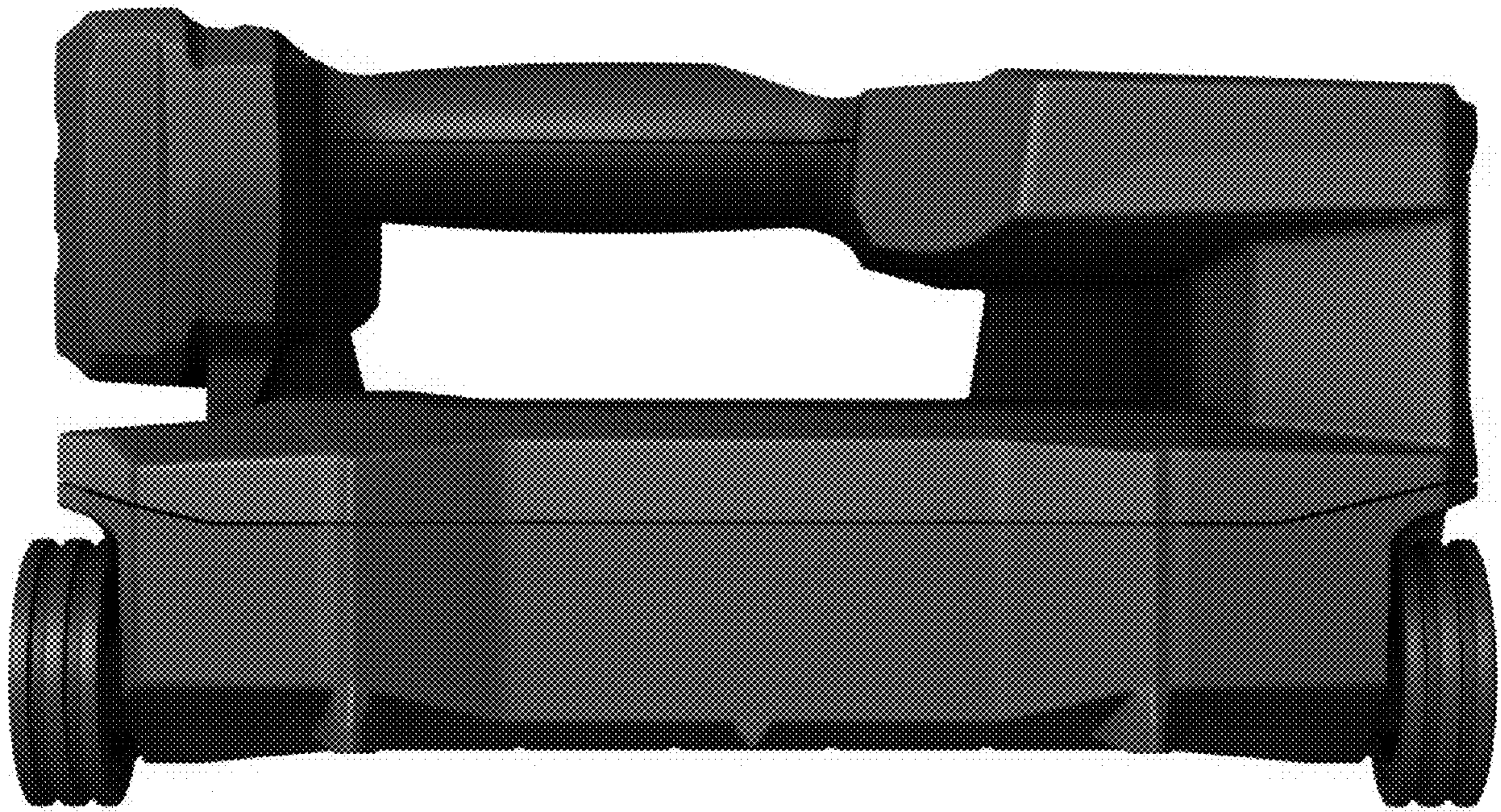
2.2



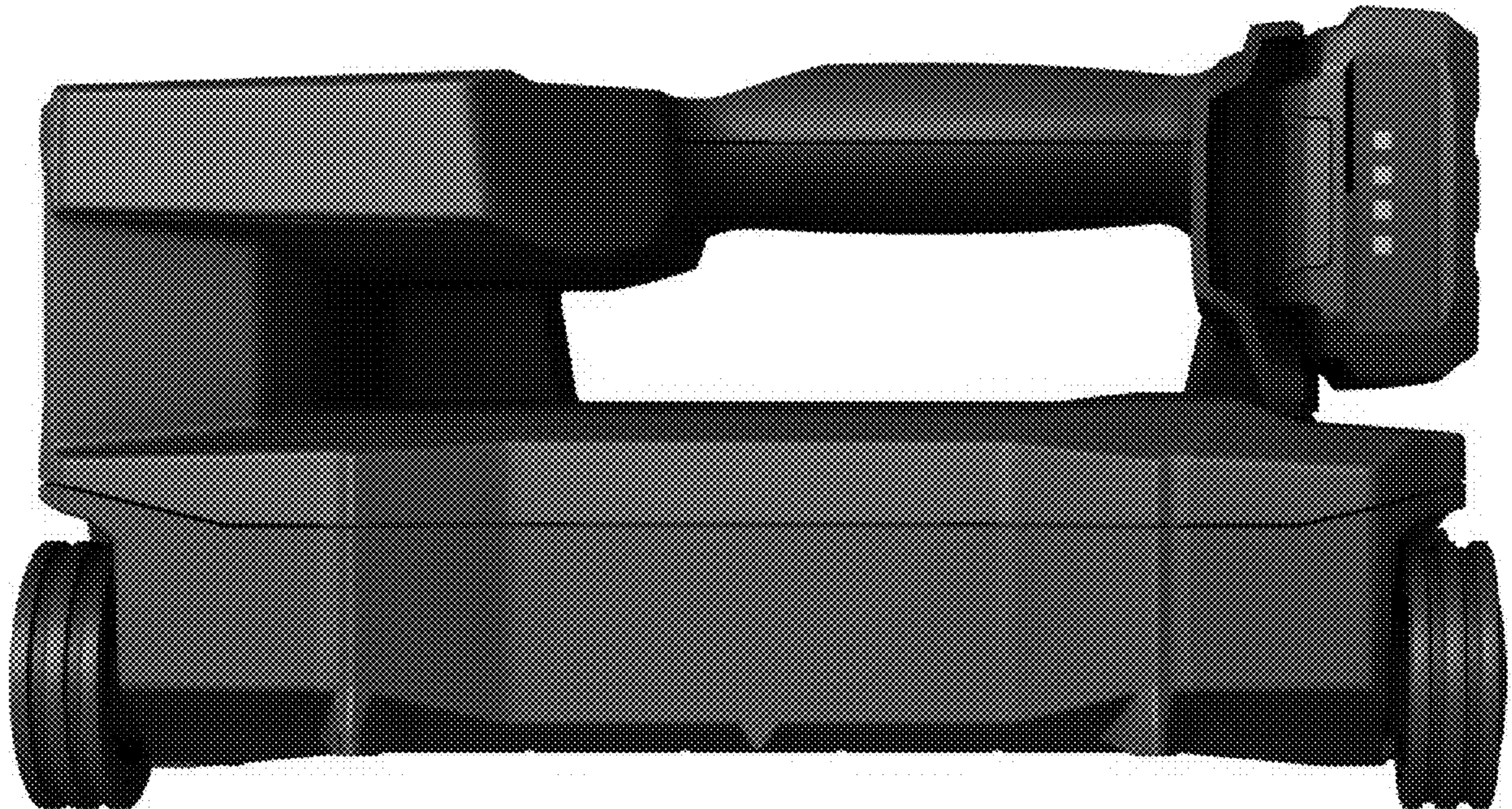
2.3



2.4



2.5



2.6



2.7

