



US00D885939S

(12) **United States Design Patent**  
**Deng**

(10) **Patent No.:** **US D885,939 S**  
(45) **Date of Patent:** **\*\* Jun. 2, 2020**

(54) **METAL DETECTOR CONTROL BOX**  
(71) Applicant: **Shanghai Tianxun Electronic Equipment Co., Ltd, Shanghai (CN)**  
(72) Inventor: **Junhong Deng, Shanghai (CN)**  
(\*\*) Term: **15 Years**  
(21) Appl. No.: **29/718,826**  
(22) Filed: **Dec. 30, 2019**  
(51) **LOC (12) Cl.** ..... **10-04**  
(52) **U.S. Cl.**  
USPC ..... **D10/47**  
(58) **Field of Classification Search**  
USPC ..... D10/47  
CPC ... G01V 3/00; G01V 3/02; G01V 3/04; G01V 3/06; G01V 3/08; G01V 3/081; G01V 3/082; G01V 3/083; G01V 2003/084; G01V 2003/085; G01V 2003/086; G01V 3/087; G01V 3/088; G01V 3/10; G01V 3/101; G01V 3/102; G01V 3/104; G01V 3/105; G01V 3/107; G01V 3/108; G01V 3/12; G01V 3/14; G01V 3/15; G01V 3/16; G01V 3/165; G01V 3/17; G01V 3/175; G01V 3/18; G01V 3/20; G01V 3/22; G01V 3/24; G01V 3/26; G01V 3/265; G01V 3/28; G01V 3/30; G01V 3/32; G01V 3/34; G01V 3/36; G01V 3/38; G01V 3/40  
See application file for complete search history.

8,842,035 B2 \* 9/2014 Duvoisin, III ..... G01S 13/885 342/22  
9,021,661 B2 \* 5/2015 Andel ..... B25G 1/04 16/429  
9,664,809 B2 \* 5/2017 Fry ..... G01V 3/104  
9,733,353 B1 \* 8/2017 Carlson ..... G01S 13/878  
9,864,089 B2 \* 1/2018 Andel ..... F41H 11/136  
D844,463 S \* 4/2019 Zhang ..... G01V 3/104 D10/47  
D867,170 S \* 11/2019 Deng ..... B25G 1/04 D10/47  
D873,682 S \* 1/2020 Shao ..... G01S 13/885 D10/47

\* cited by examiner

*Primary Examiner* — Antoine Duval Davis  
(74) *Attorney, Agent, or Firm* — ZANIP

(57) **CLAIM**

The ornamental design for a metal detector control box, as shown and described.

**DESCRIPTION**

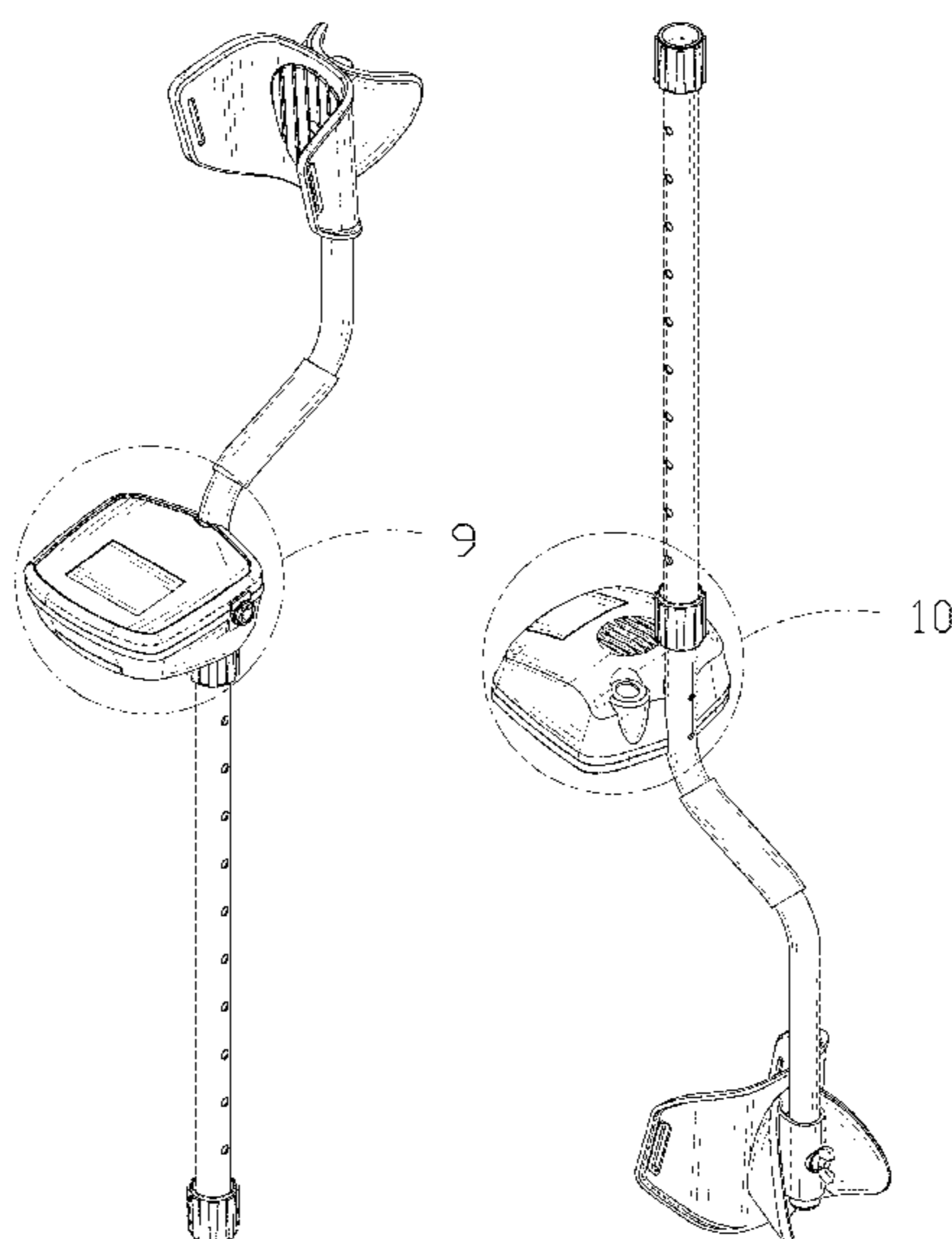
FIG. 1 is a front and top perspective view of a metal detector control box, showing my new design;  
FIG. 2 is a rear and bottom perspective view thereof;  
FIG. 3 is a front elevational view thereof;  
FIG. 4 is a rear elevational view thereof;  
FIG. 5 is a left side elevational view thereof;  
FIG. 6 is a right side elevational view thereof;  
FIG. 7 is a top plan view thereof;  
FIG. 8 is a bottom plan view thereof;  
FIG. 9 is an enlarged view of a portion indicated in FIG. 1; and,  
FIG. 10 is an enlarged view of a portion indicated in FIG. 2.  
The broken lines in the figures illustrate portions of the metal detector control box that form no part of the claimed design. The dash dot dash lines in FIG. 1, FIG. 2, FIGS. 9 and 10 are for the purpose of depicting the cut line of the enlarged view and form no part of the claim.

(56) **References Cited**

**U.S. PATENT DOCUMENTS**

D533,792 S \* 12/2006 Johnson ..... H04R 1/028 D10/47  
D605,956 S \* 12/2009 Hu ..... H04R 1/028 D10/47  
D690,213 S \* 9/2013 Walsh ..... A01B 1/00 D10/47

**1 Claim, 10 Drawing Sheets**



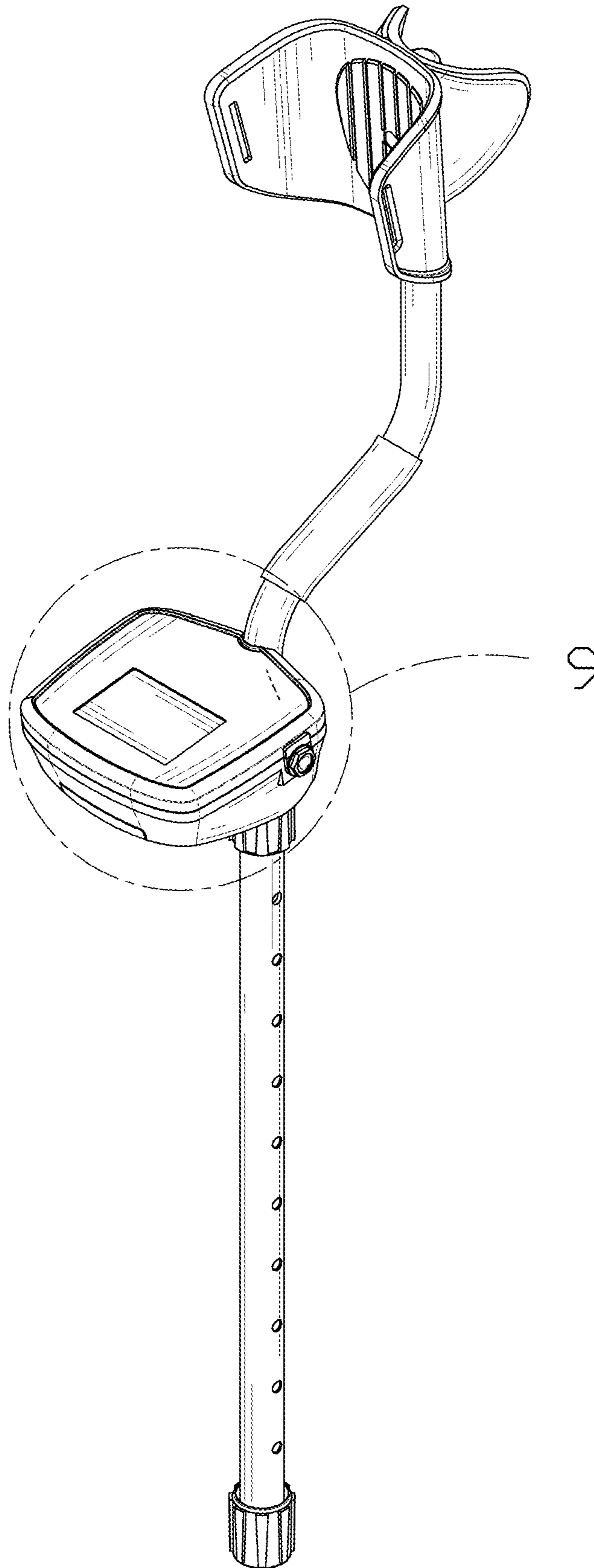


FIG. 1

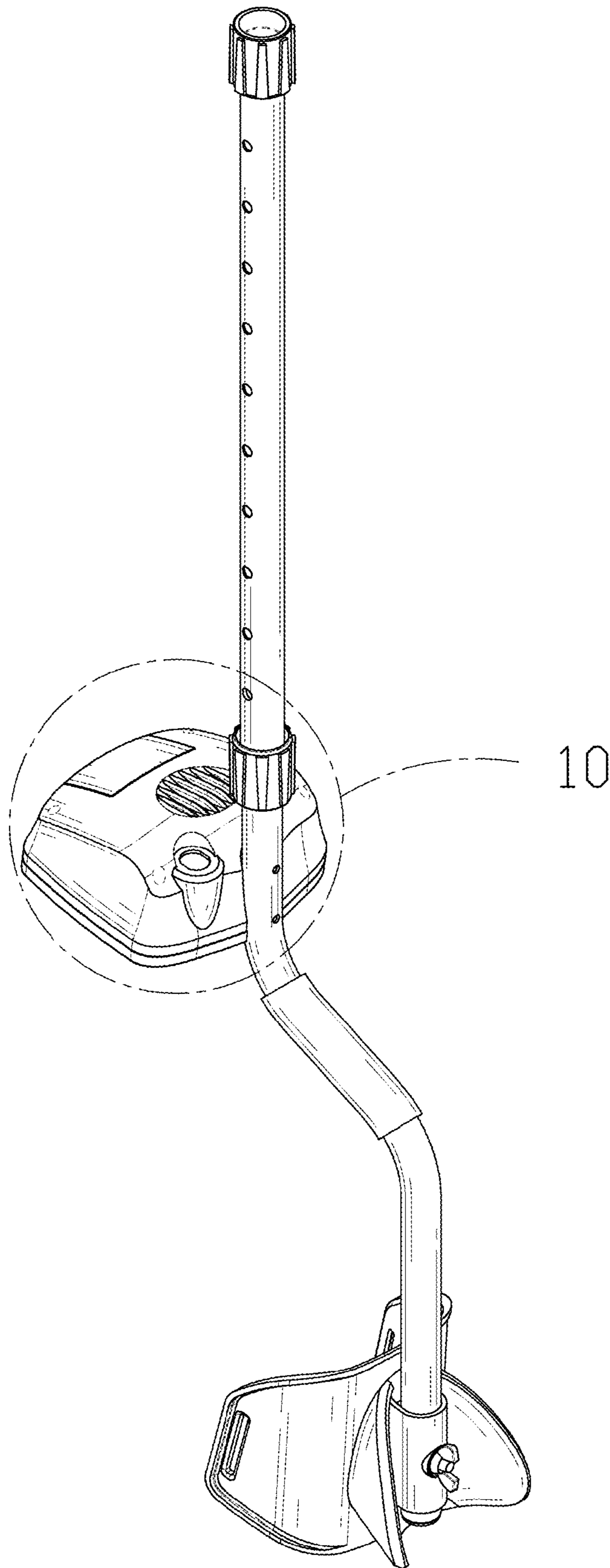


FIG. 2

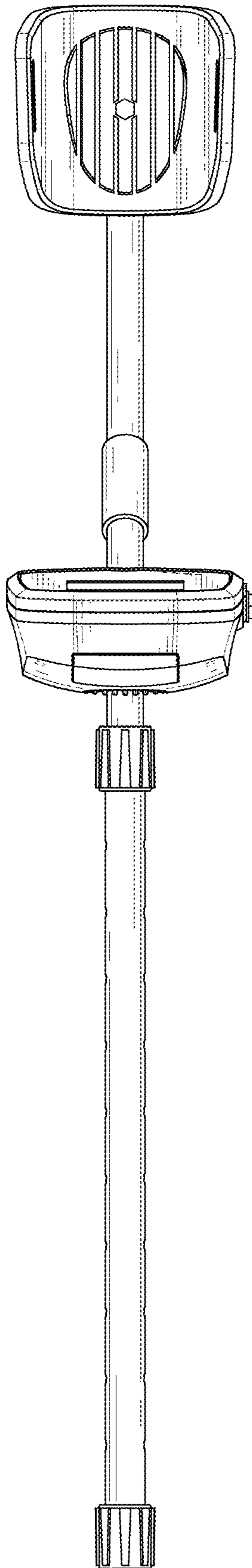


FIG. 3

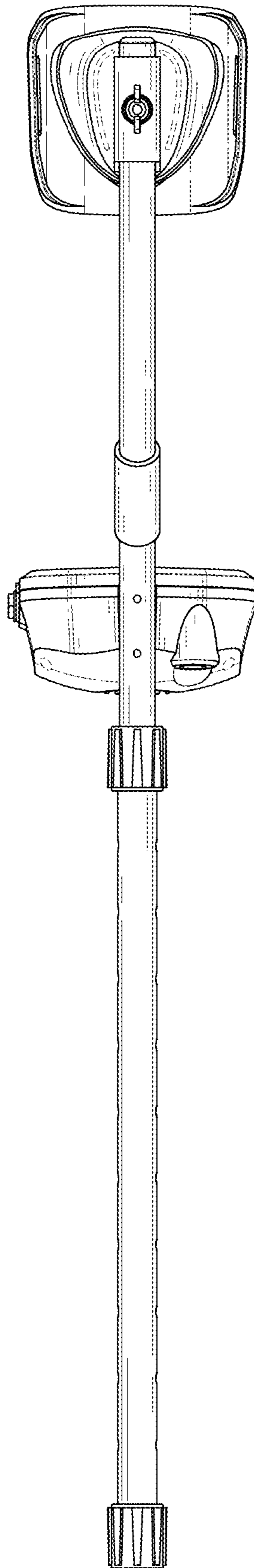


FIG. 4

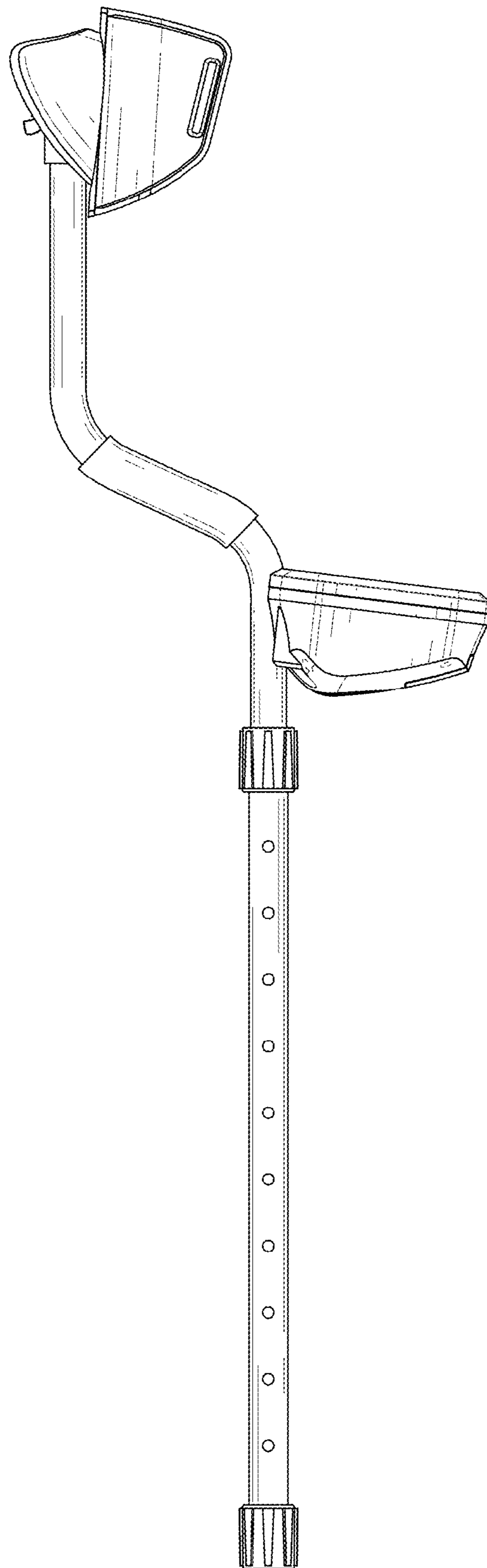


FIG. 5

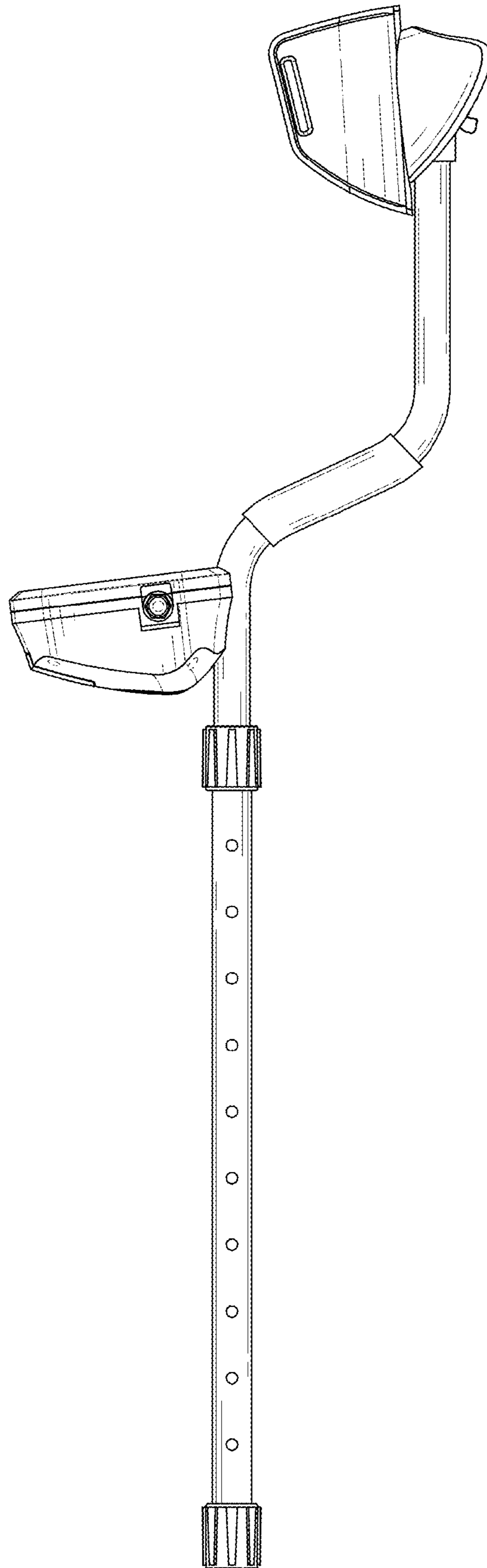


FIG. 6

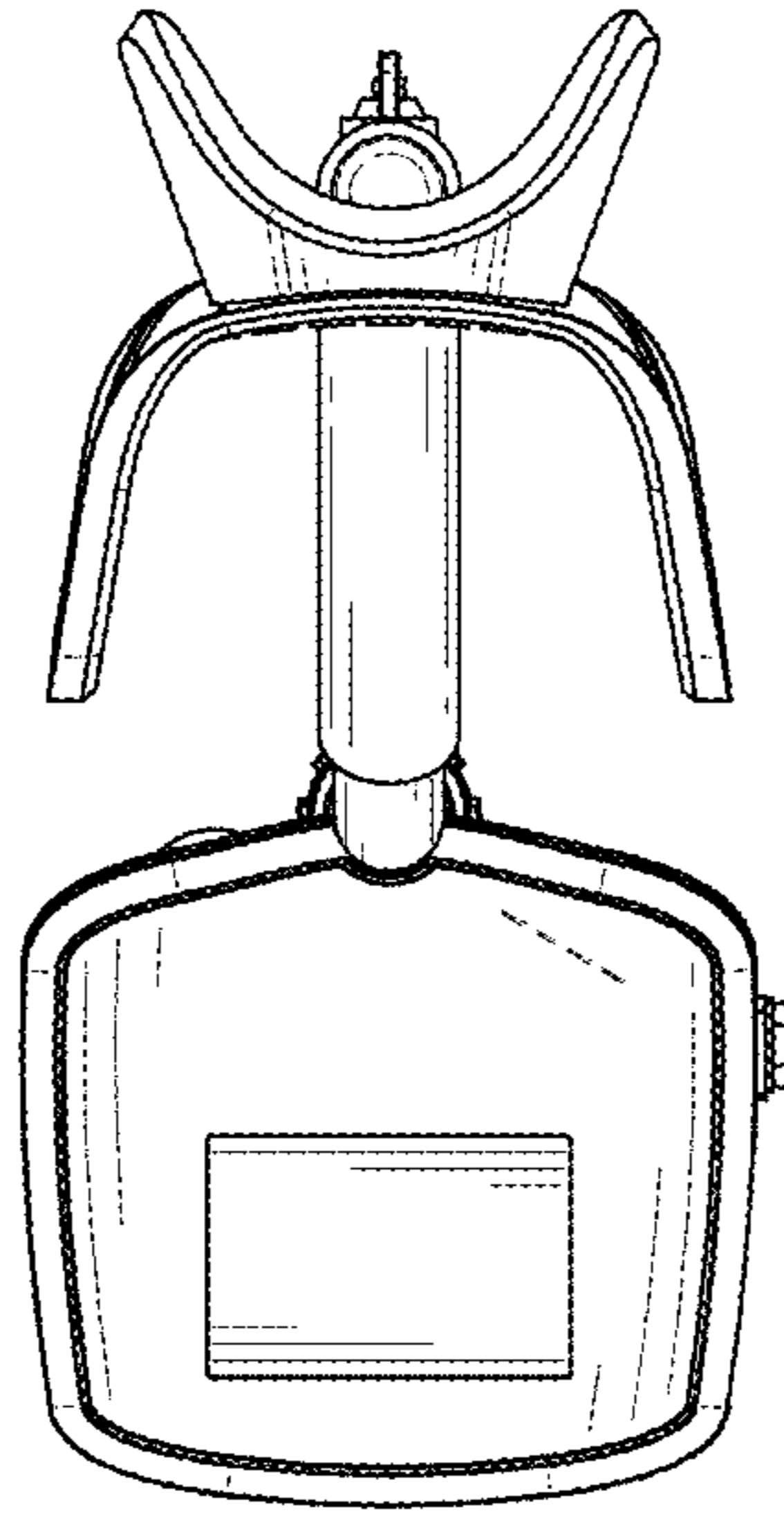


FIG. 7



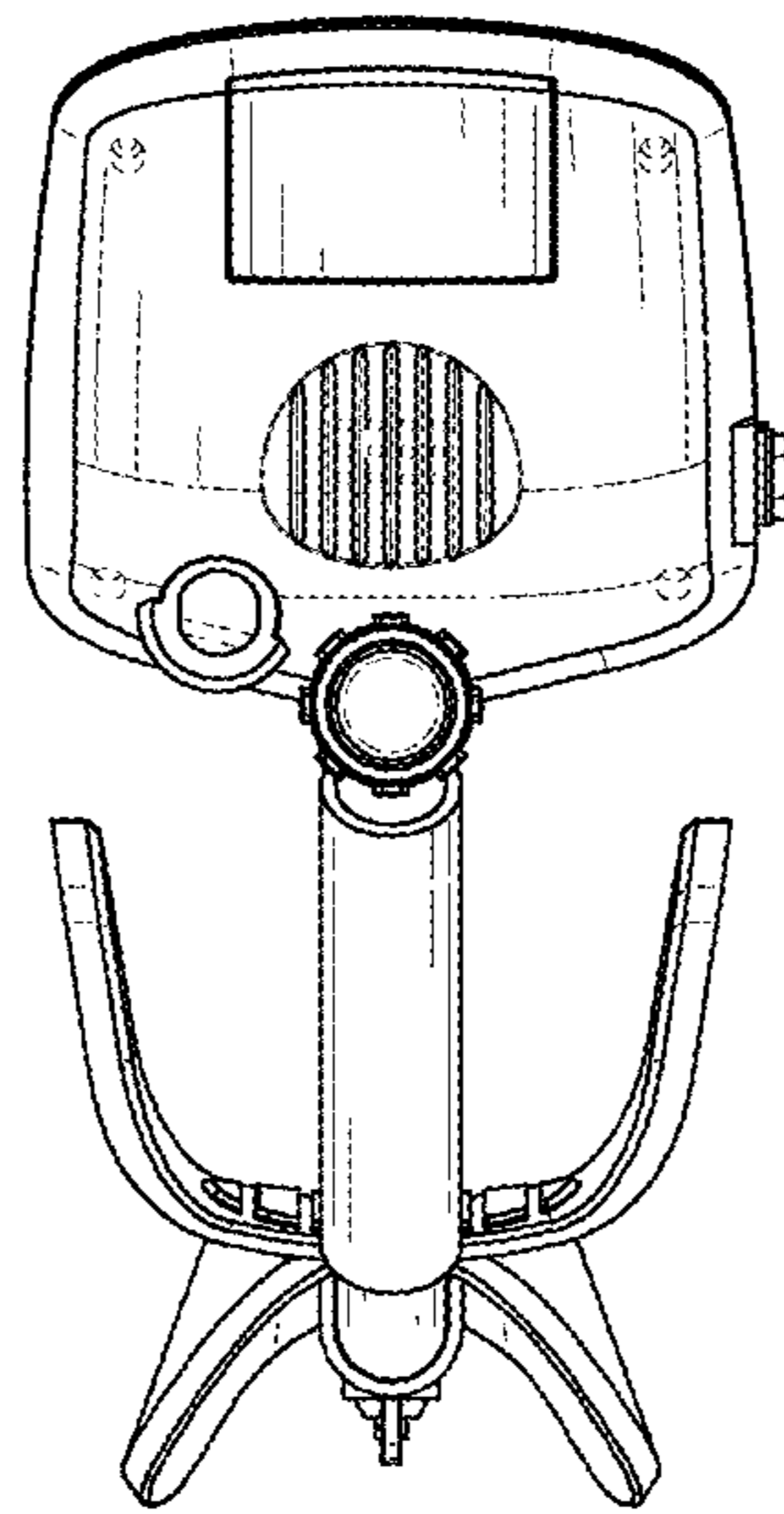


FIG. 8

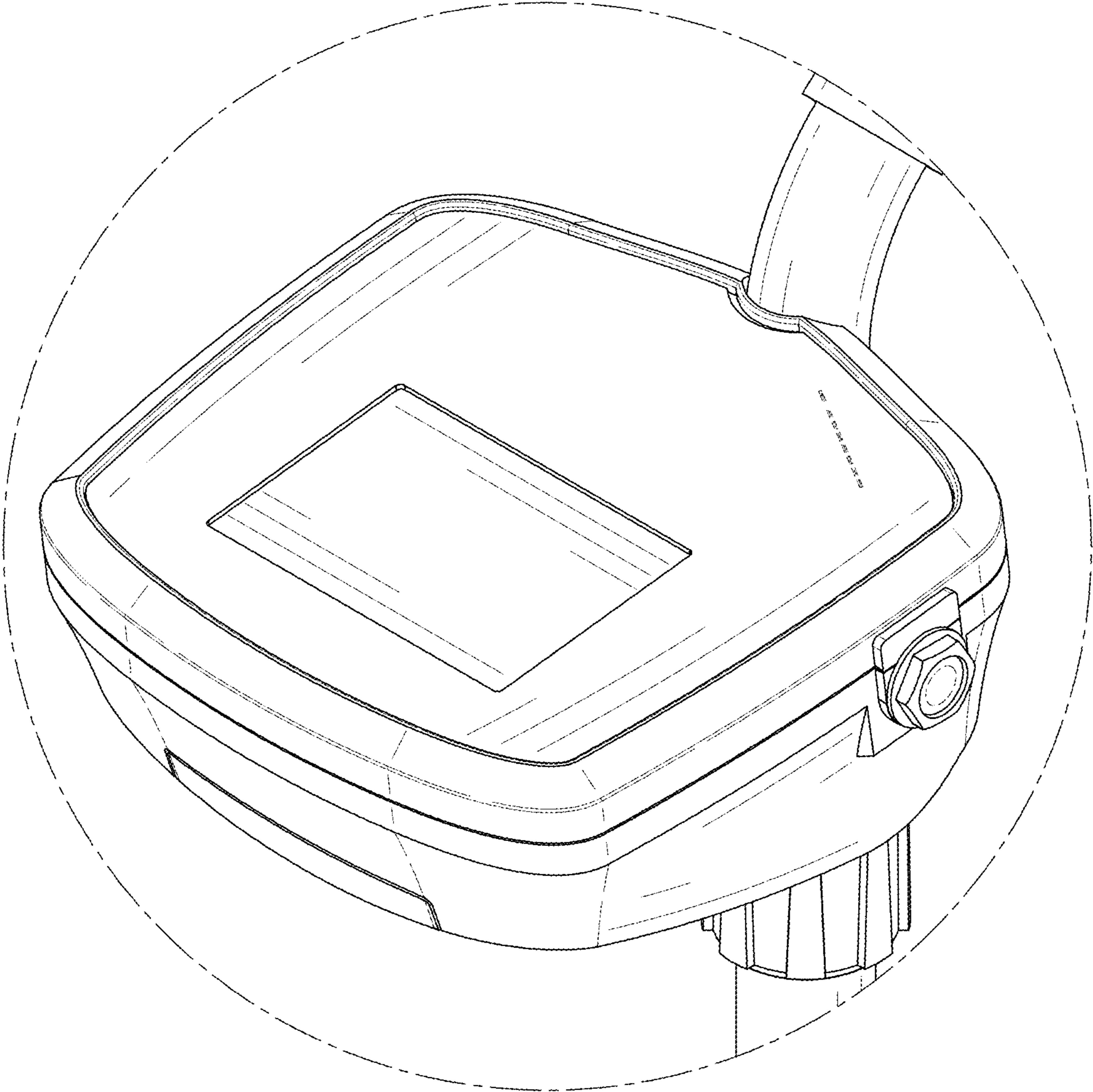


FIG. 9

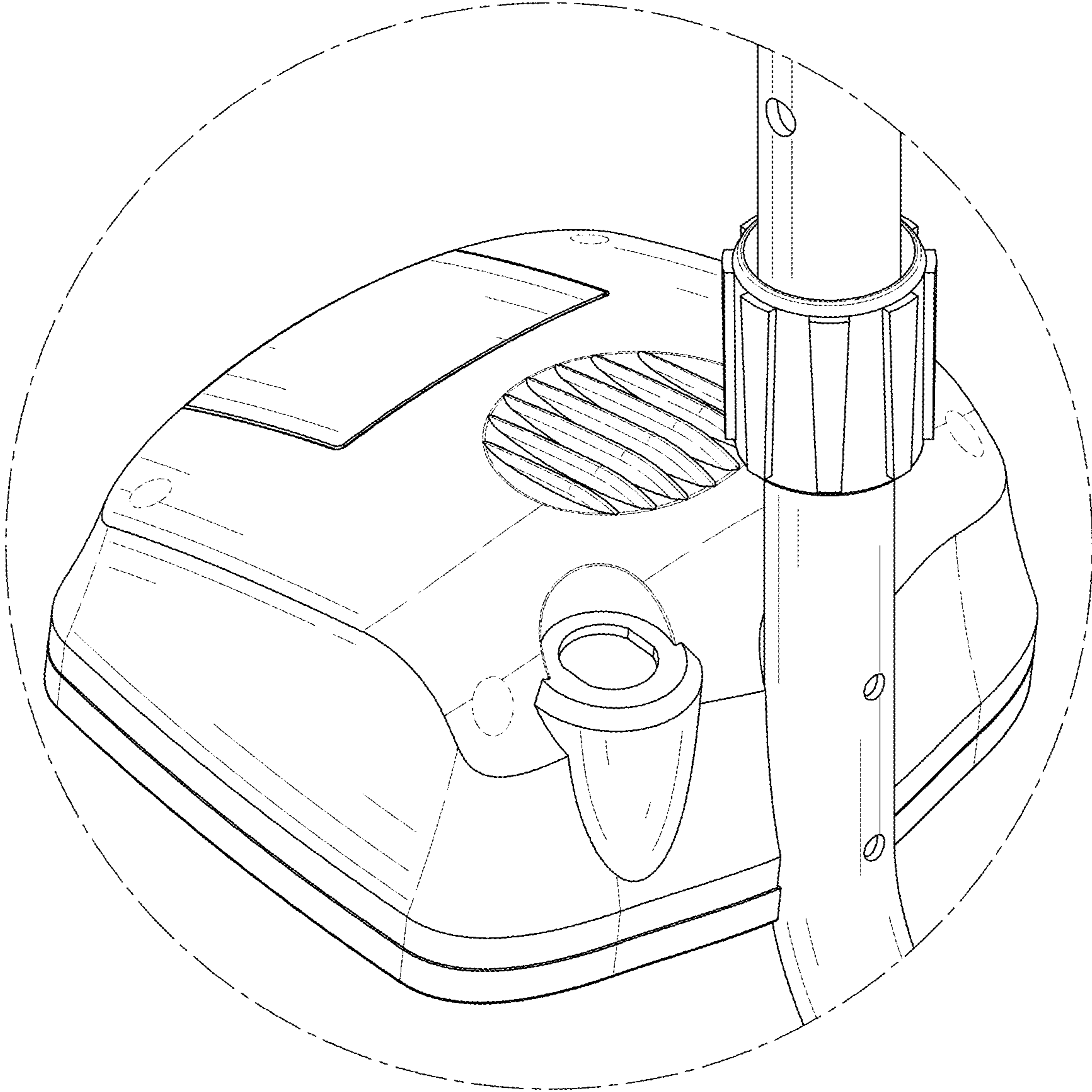


FIG. 10