



US00D885937S

(12) **United States Design Patent**
Hazan et al.

(10) **Patent No.:** **US D885,937 S**
(45) **Date of Patent:** **** Jun. 2, 2020**

(54) **MONITORING SYSTEM**

D807,206 S * 1/2018 Usui D10/47
D847,668 S * 5/2019 Hasegawa D10/47

(71) Applicant: **More Grofit Agtech Ltd**, Ness Ziona (IL)

* cited by examiner

(72) Inventors: **Avraham Hazan**, Moshav Shova (IL);
Itay Miyara, Ness Ziona (IL)

Primary Examiner — Antoine Duval Davis
(74) *Attorney, Agent, or Firm* — Wenderoth, Lind & Ponack, L.L.P.

(73) Assignee: **MORE GROFIT AGTECH LTD**, Ness Ziona (IL)

(57) **CLAIM**

The ornamental design for a monitoring system, as shown and described.

(**) Term: **15 Years**

DESCRIPTION

(21) Appl. No.: **29/667,844**

(22) Filed: **Oct. 25, 2018**

(51) **LOC (12) Cl.** **10-04**

(52) **U.S. Cl.**
USPC **D10/47**

(58) **Field of Classification Search**
USPC D10/47, 78
CPC B60H 1/0075; G01J 1/42; G01J 1/0271;
G01J 1/0204; G01J 1/0266; G01J 1/0233;
G01J 2001/4266; G01J 2001/0257; G01J
2001/0261
See application file for complete search history.

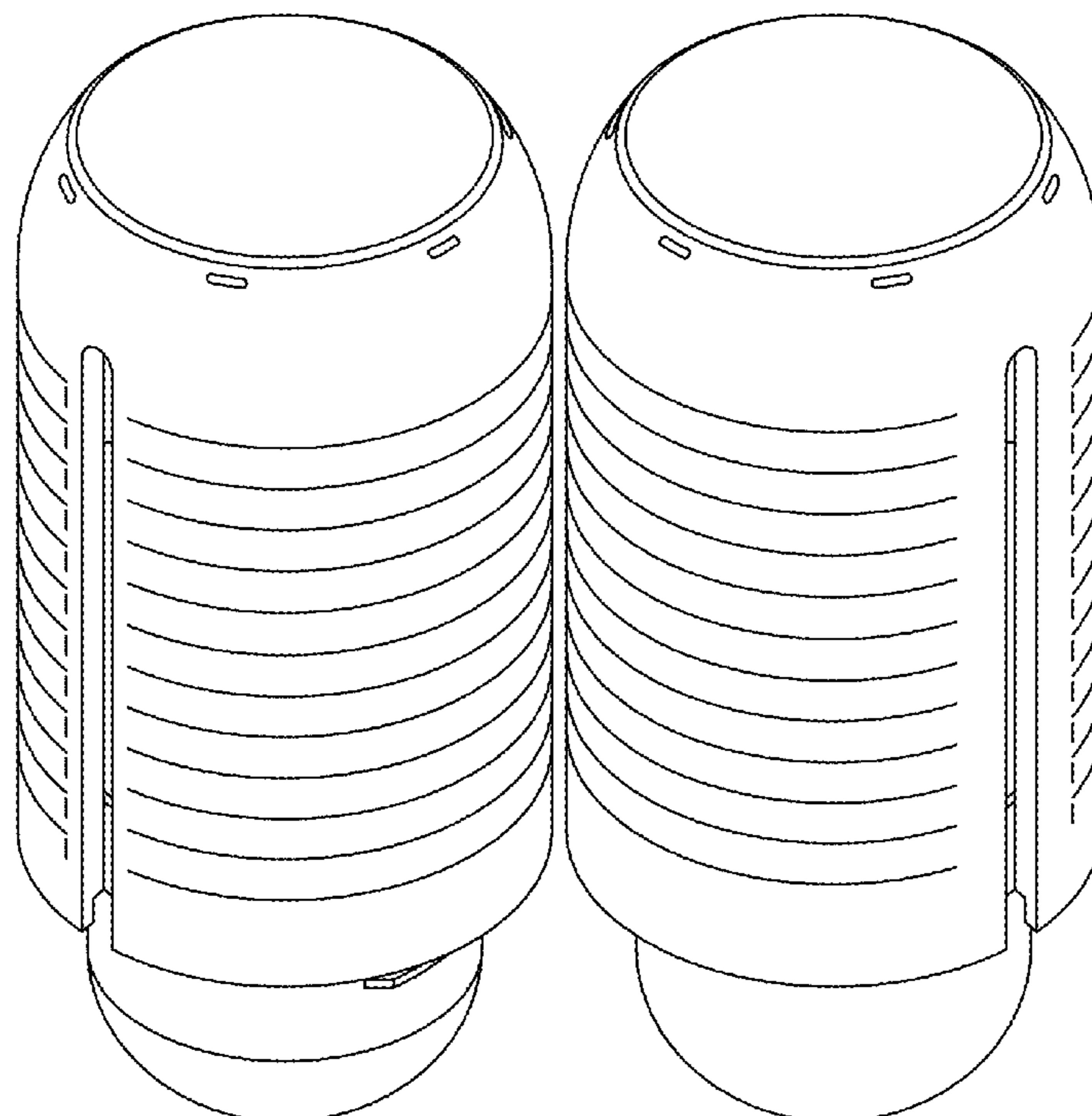
FIG. 1 is a front perspective view of the monitoring system;
FIG. 2 is a rear perspective view thereof;
FIG. 3 is a front view of the monitoring system in a closed position;
FIG. 4 is a front view of the monitoring system in an open position;
FIG. 5 is a rear view of the monitoring system in the closed position;
FIG. 6 is a rear view of the monitoring system in the open position;
FIG. 7 is a left side view of the monitoring system in the closed position;
FIG. 8 is a left side view of the monitoring system in the open position;
FIG. 9 is a right side view of the monitoring system in the closed position;
FIG. 10 is a right side view of the monitoring system in the open position;
FIG. 11 is a top view of the monitoring system; and,
FIG. 12 is a bottom view thereof.

(56) **References Cited**

U.S. PATENT DOCUMENTS

5,065,015 A * 11/1991 Horiguchi B60H 1/0075
250/203.4
5,783,819 A * 7/1998 Shimoyama G01J 1/04
250/214.1
6,084,228 A * 7/2000 Hill B60H 1/0075
236/1 B

1 Claim, 11 Drawing Sheets



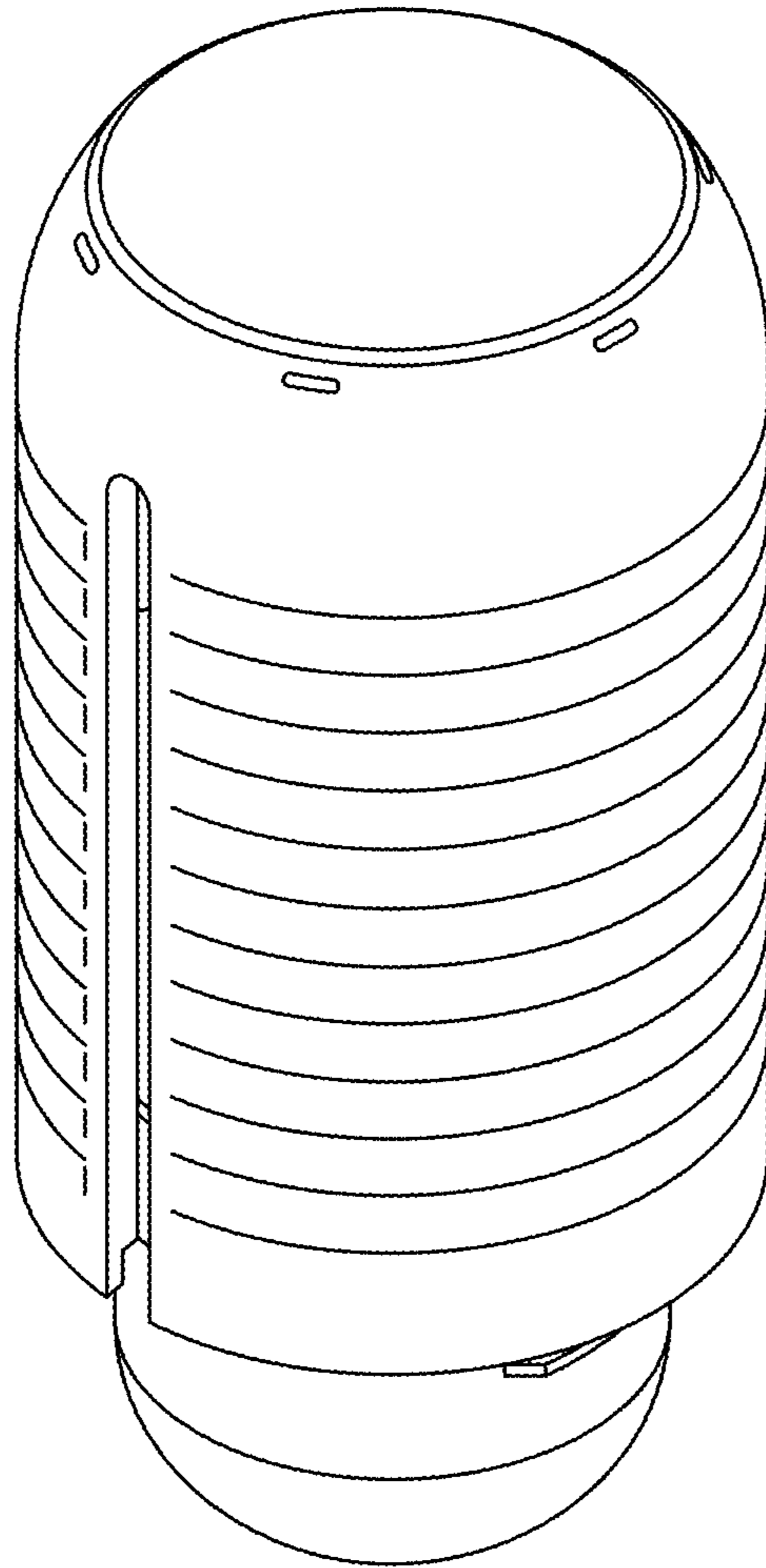


FIG. 1

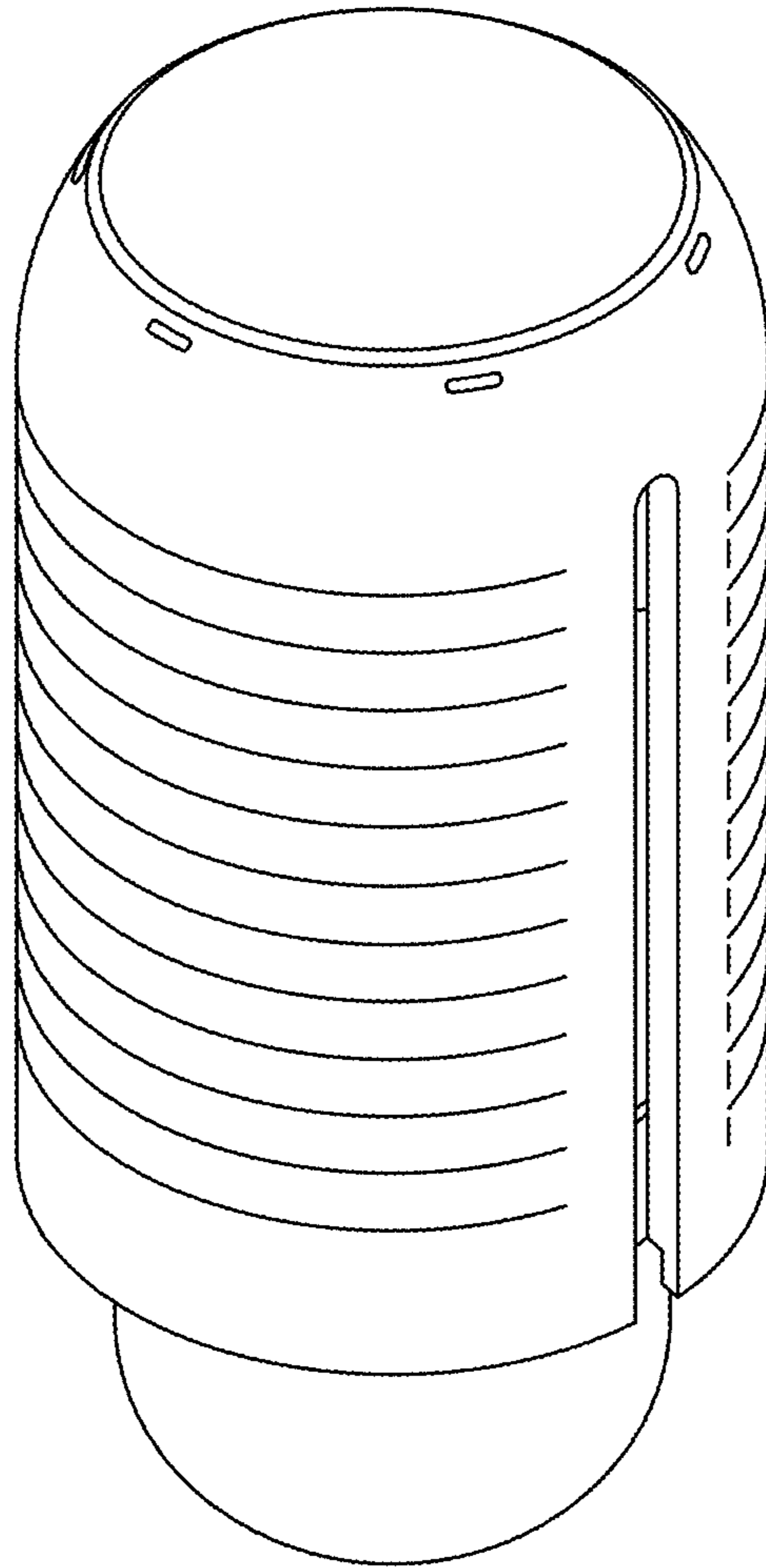


FIG. 2

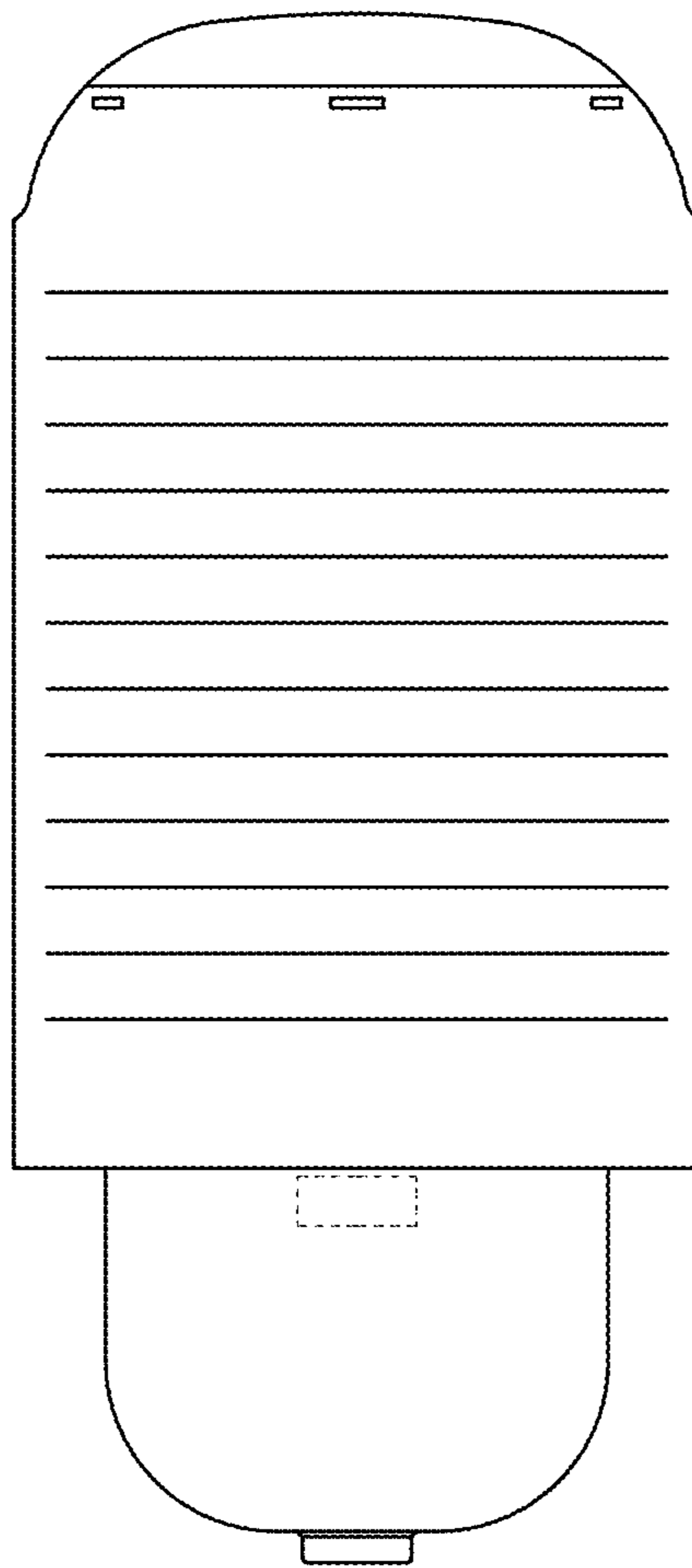


FIG. 3

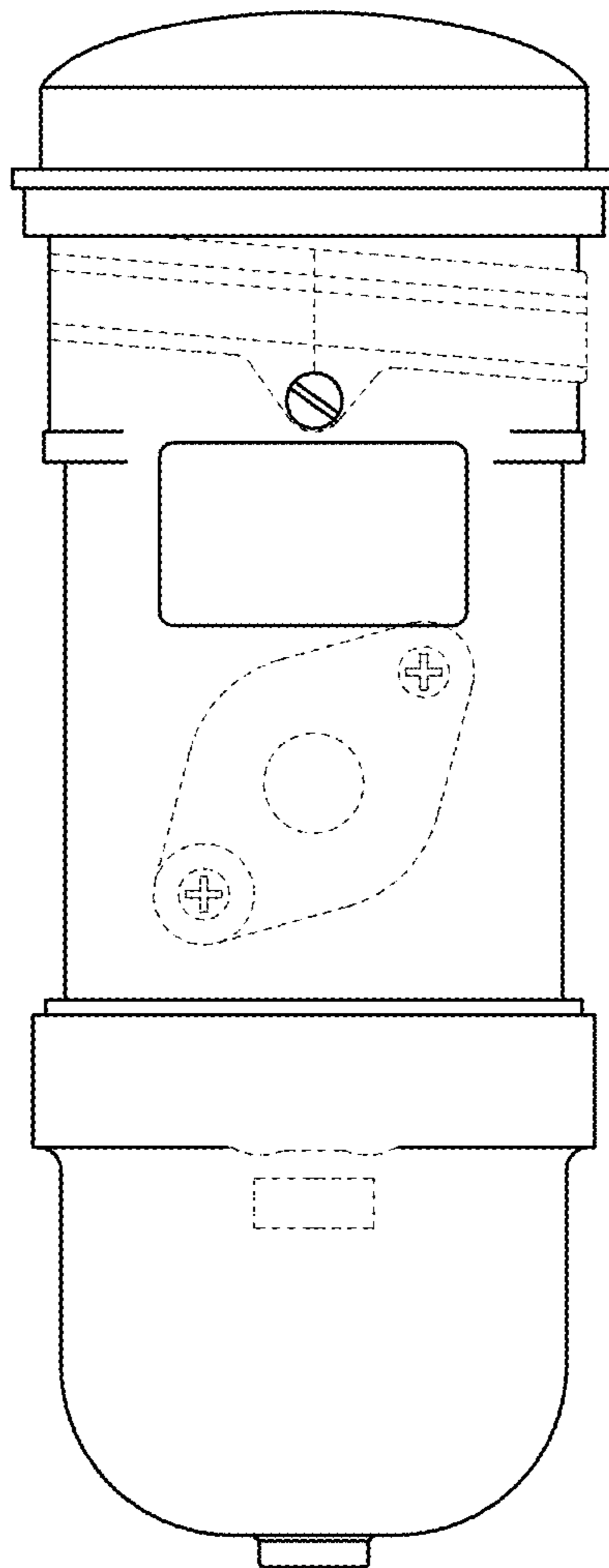
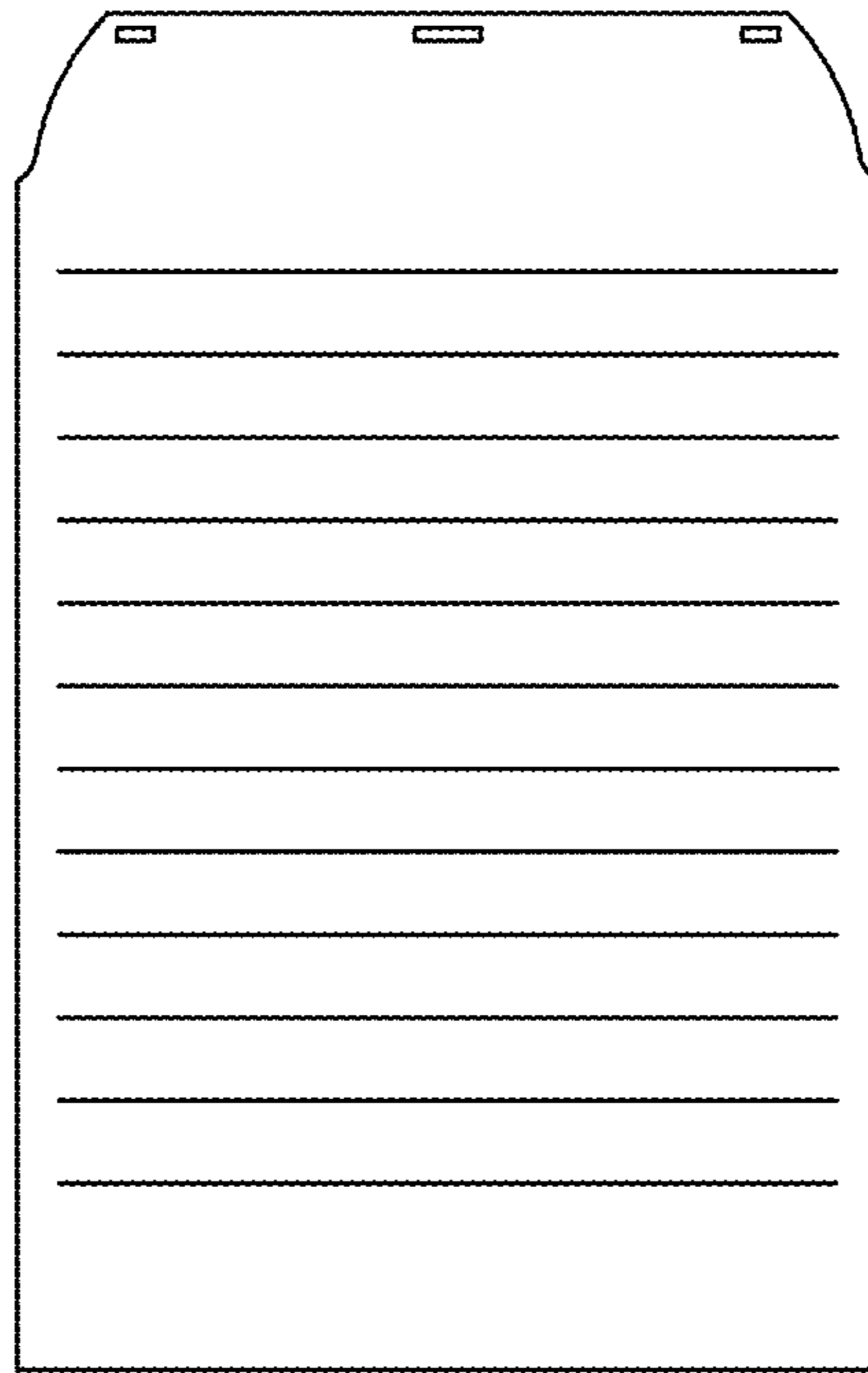


FIG. 4

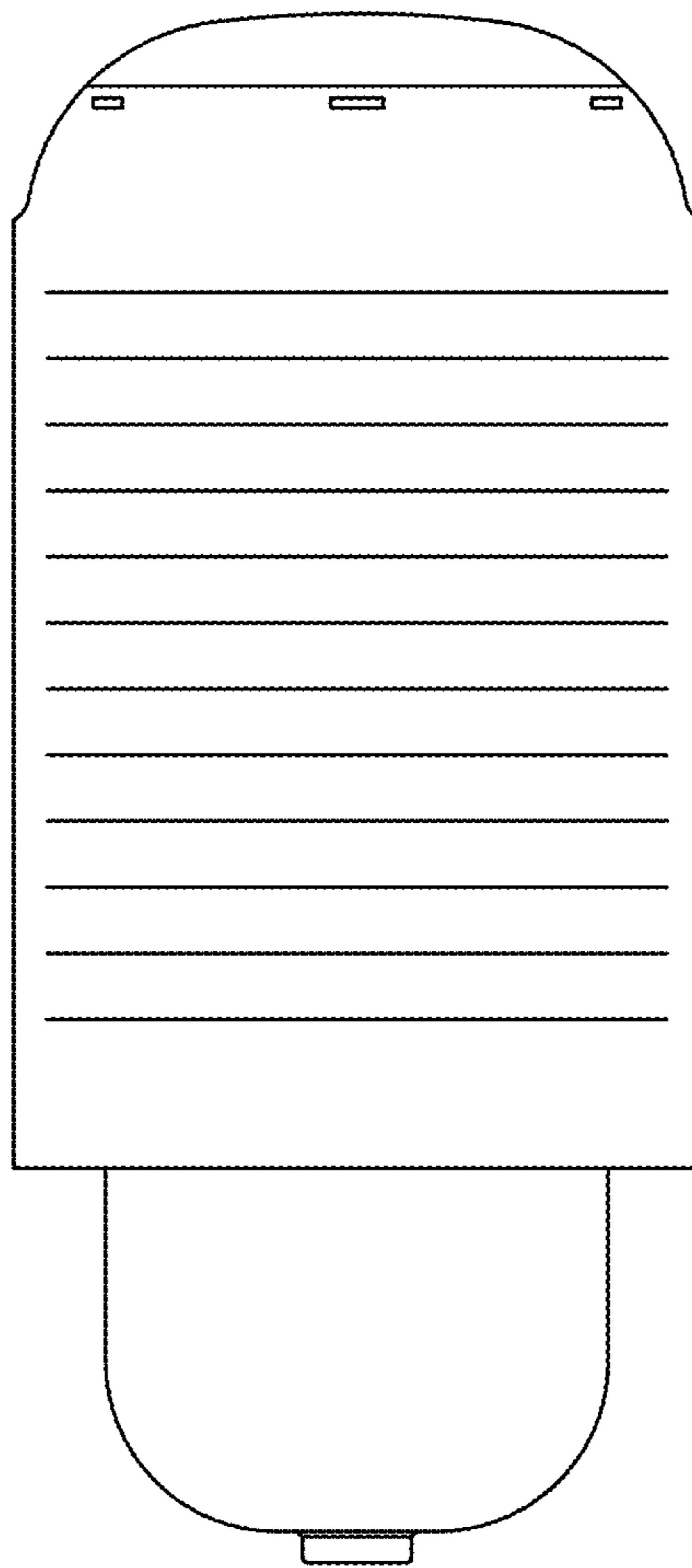


FIG. 5

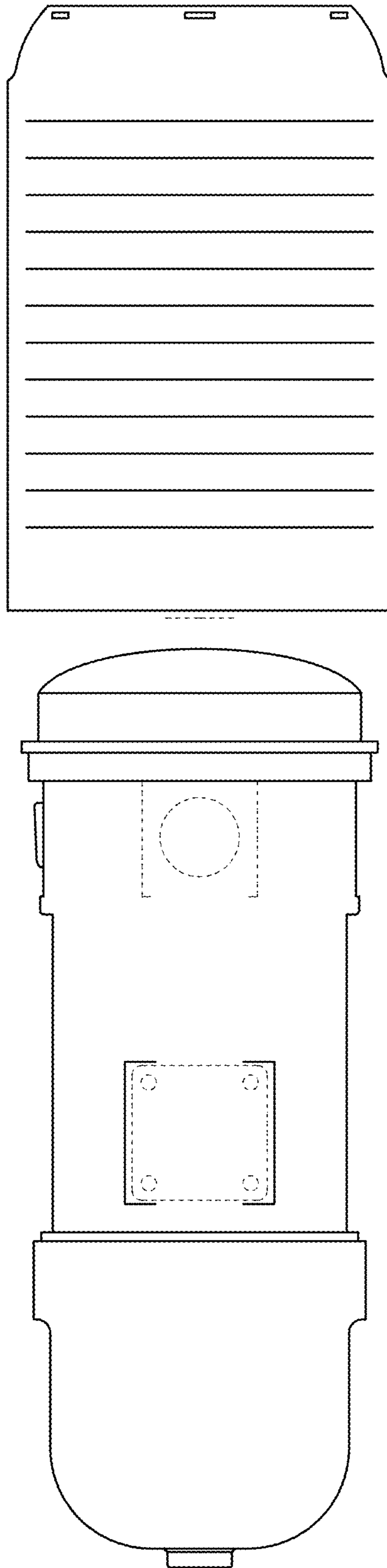


FIG. 6

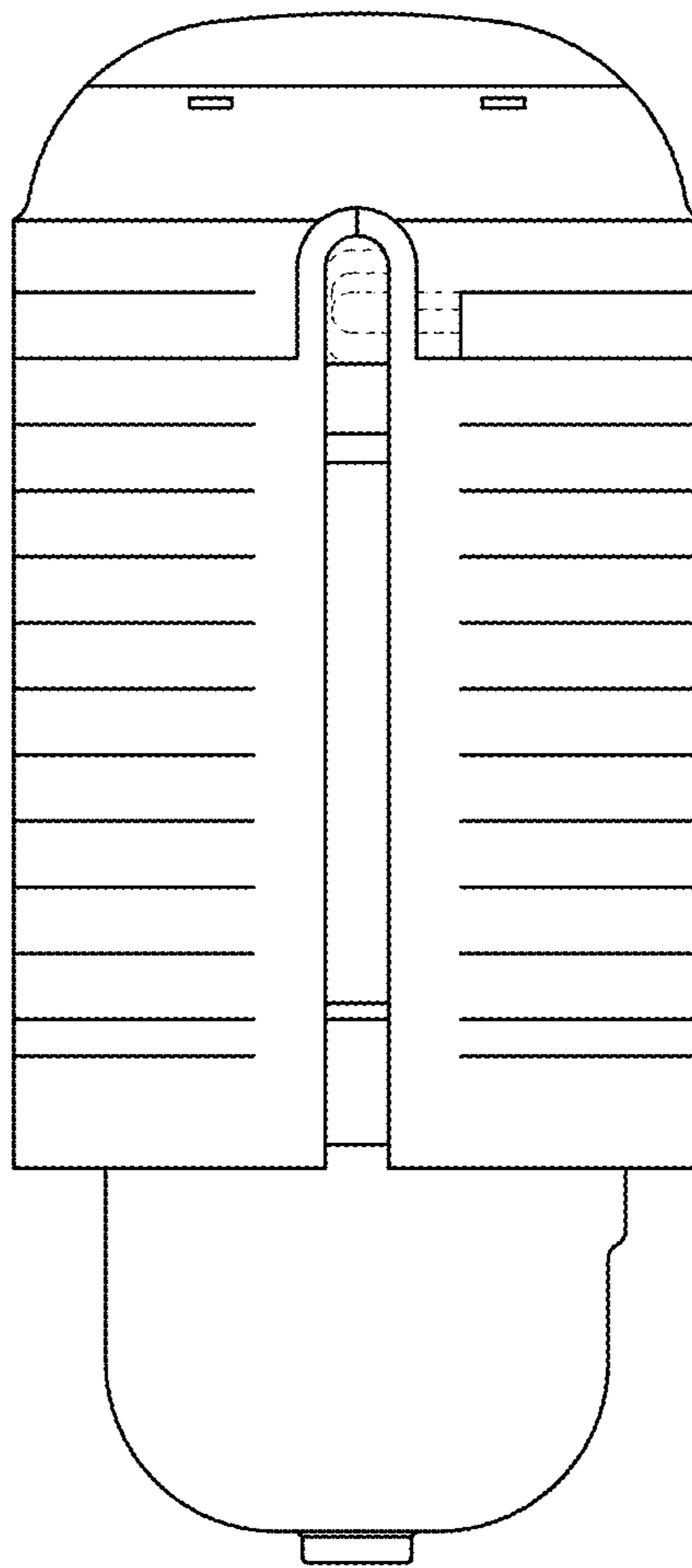


FIG. 7

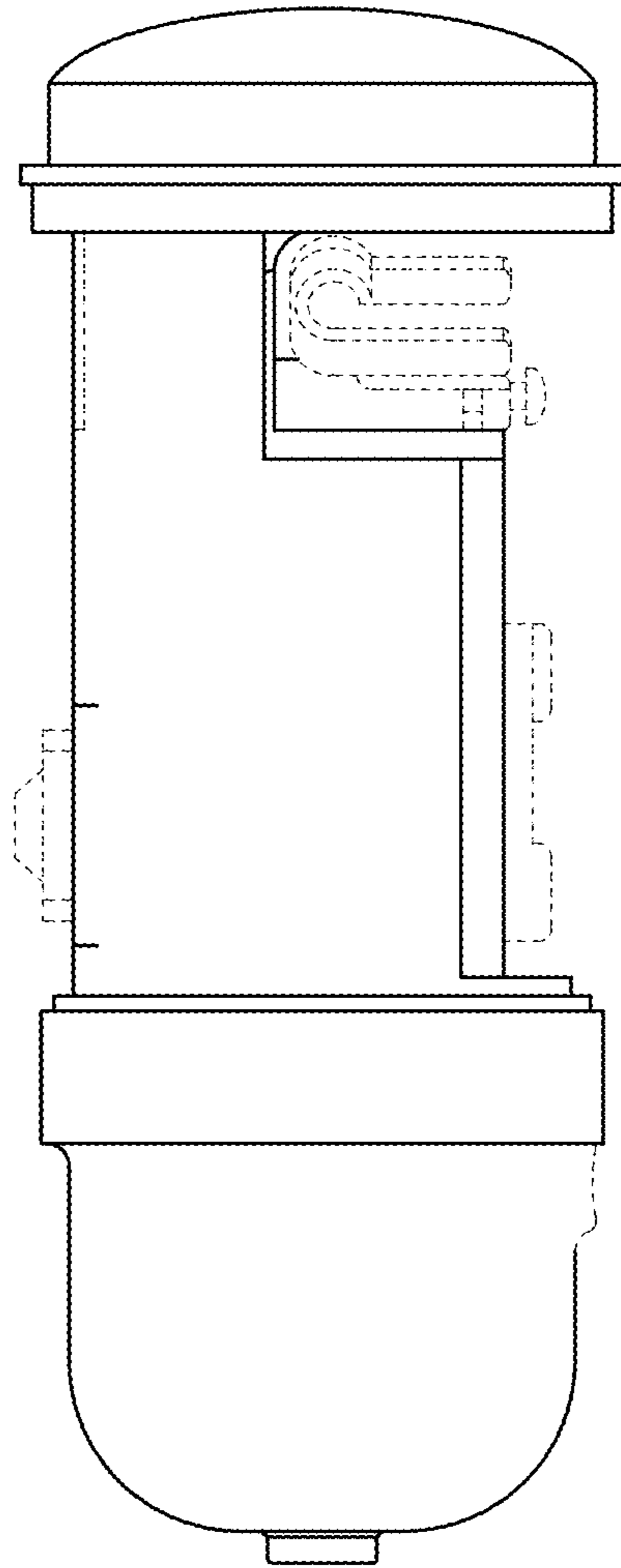
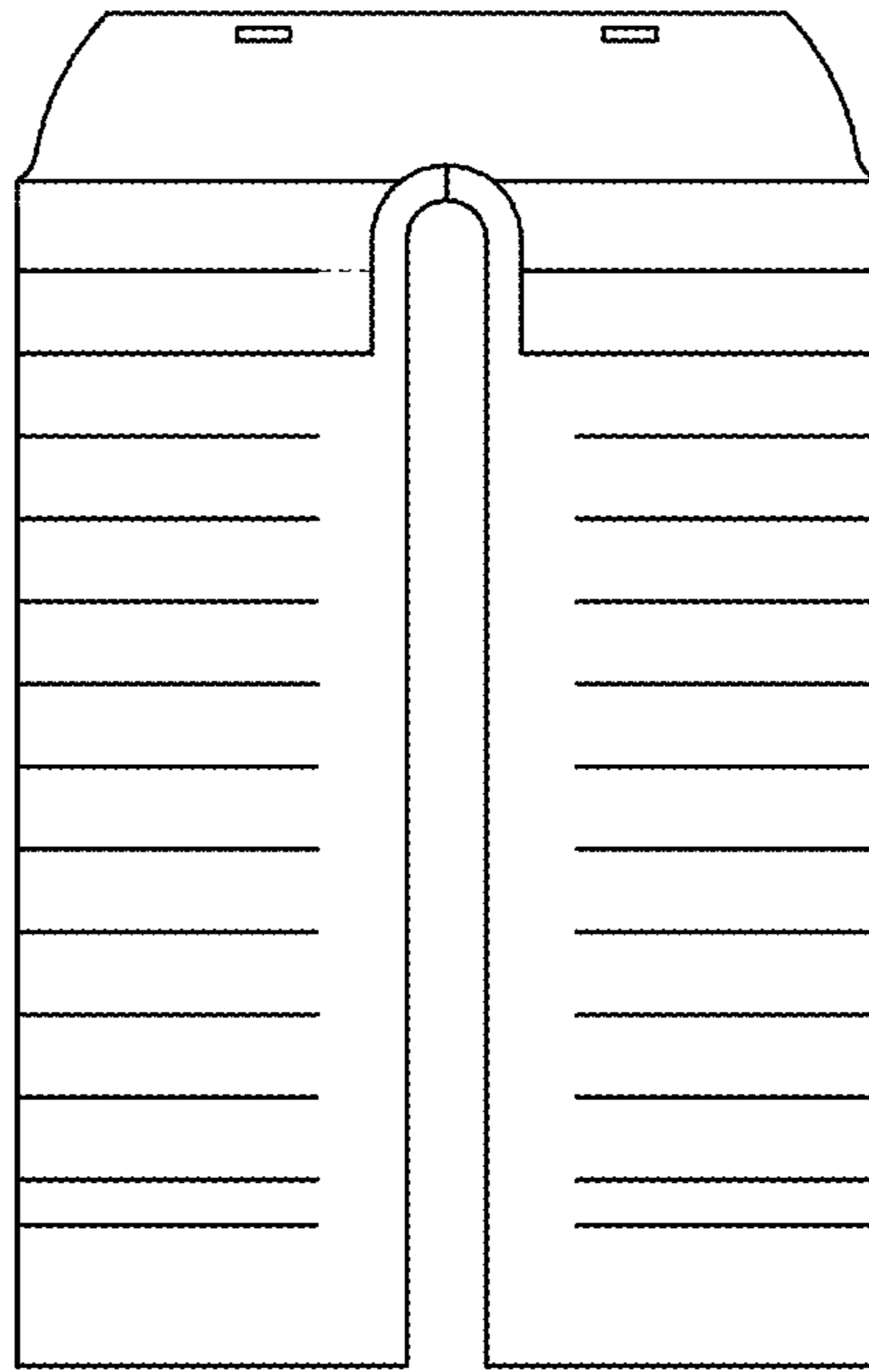


FIG. 8

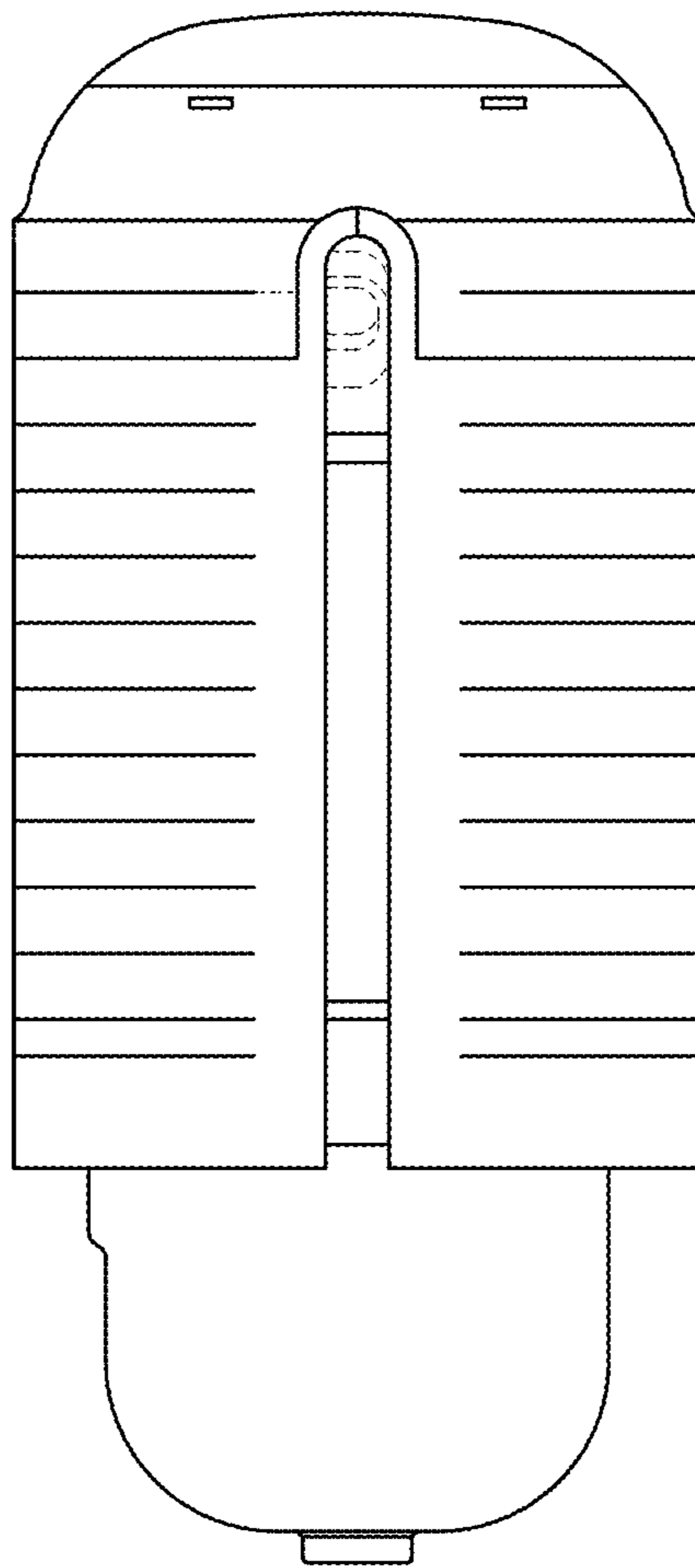


FIG. 9

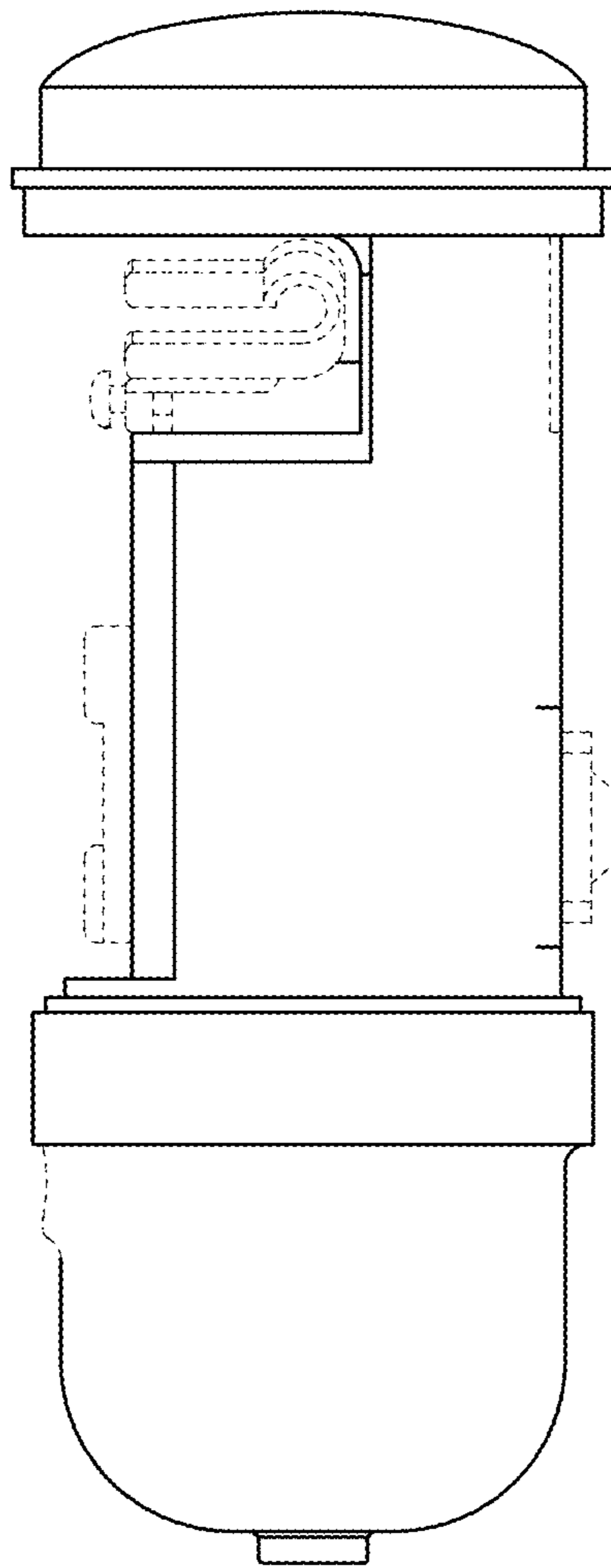
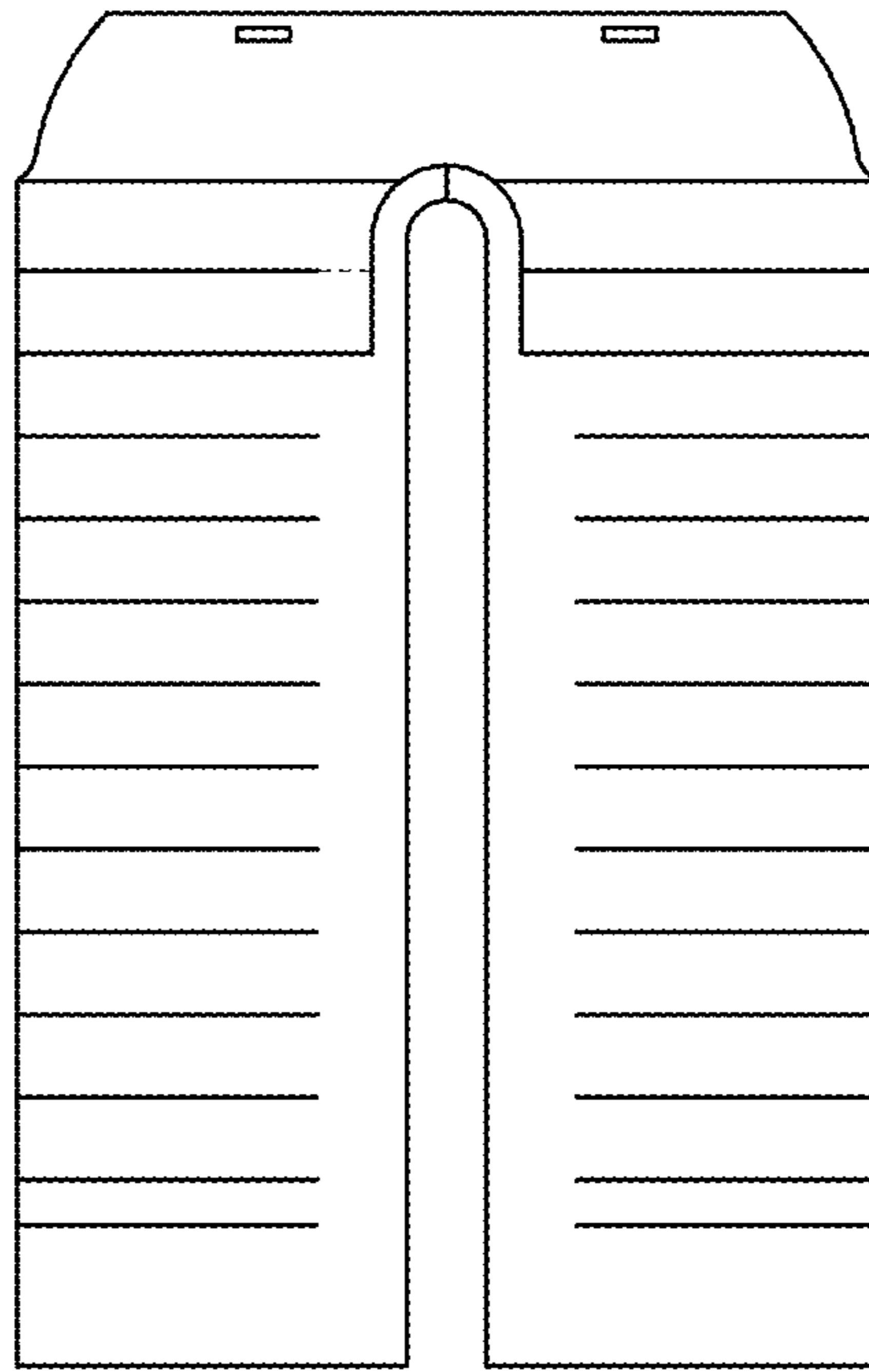


FIG. 10

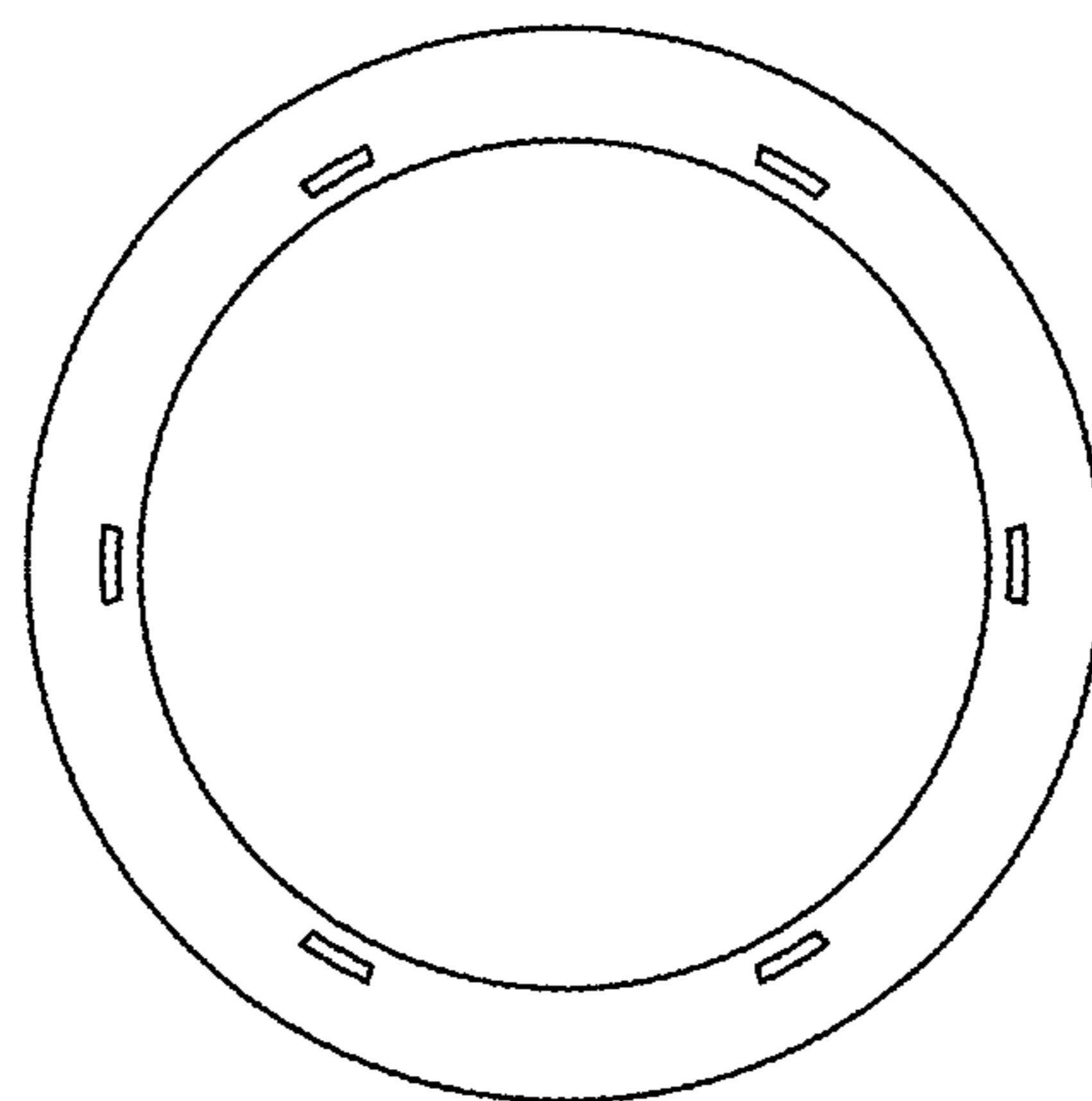


FIG. 11

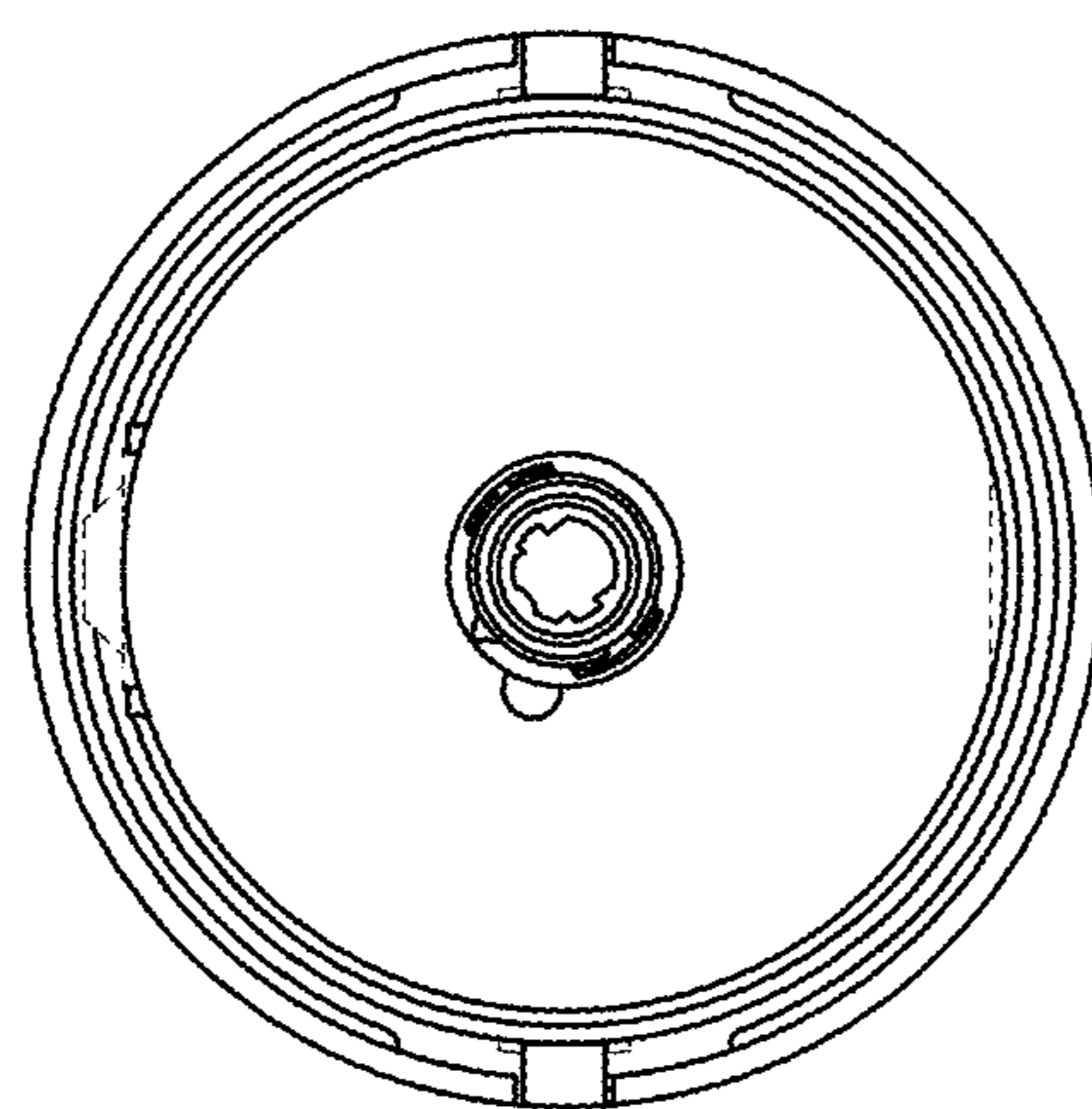


FIG. 12