



US00D885936S

(12) **United States Design Patent**
De Oliveira

(10) **Patent No.:** **US D885,936 S**
(45) **Date of Patent:** **** Jun. 2, 2020**

(54) **WATCH**
(71) Applicant: **HUBLLOT SA, Genève, Geneva (CH)**
(72) Inventor: **Stephane De Oliveira, Premanon (FR)**
(73) Assignee: **HUBLLOT SA, Genève, Geneva (CH)**
(**) Term: **15 Years**
(21) Appl. No.: **29/653,554**
(22) Filed: **Jun. 15, 2018**
(30) **Foreign Application Priority Data**

8,355,297 B2 * 1/2013 Wilbur G04B 19/207
368/223
D727,770 S * 4/2015 Kummer D10/128
D742,255 S * 11/2015 Miodrag D10/124
D742,762 S * 11/2015 Syoubayashi D10/126
D751,421 S * 3/2016 Perret D10/126
D772,082 S * 11/2016 Perret D10/30
D781,723 S * 3/2017 Seals D10/38
D789,802 S * 6/2017 Vouillamoz D10/30
D832,721 S * 11/2018 Nussbaumer D10/39
D843,228 S * 3/2019 Miodrag D10/32
D843,229 S * 3/2019 Miodrag D10/39
D843,230 S * 3/2019 Miodrag D10/39
D843,231 S * 3/2019 Manzoni D10/39
2014/0353349 A1 * 12/2014 De Oliveira A44C 5/14
224/164
2016/0033936 A1 * 2/2016 Jaccard G04B 1/14
368/148

Dec. 20, 2017 (EM) DM/099095
(51) **LOC (12) Cl.** **10-02**
(52) **U.S. Cl.**
USPC **D10/39**
(58) **Field of Classification Search**
USPC D10/30-39, 122-124, 126; D11/51, 52,
D11/82, 100
CPC G04B 19/06; G04B 19/10; G04B 19/103;
G04B 19/12; G04B 19/24; G04B
45/0069; G04B 45/0076; G04B 45/02;
G04F 7/08; G04F 7/0842; G04F 7/0871;
G09B 27/00-27/06
See application file for complete search history.

* cited by examiner

Primary Examiner — Sandra S Snapp
Assistant Examiner — Katherine Glennon
(74) *Attorney, Agent, or Firm* — Sughrue Mion, PLLC

(57) **CLAIM**

The ornamental design for a watch, as shown and described.

DESCRIPTION

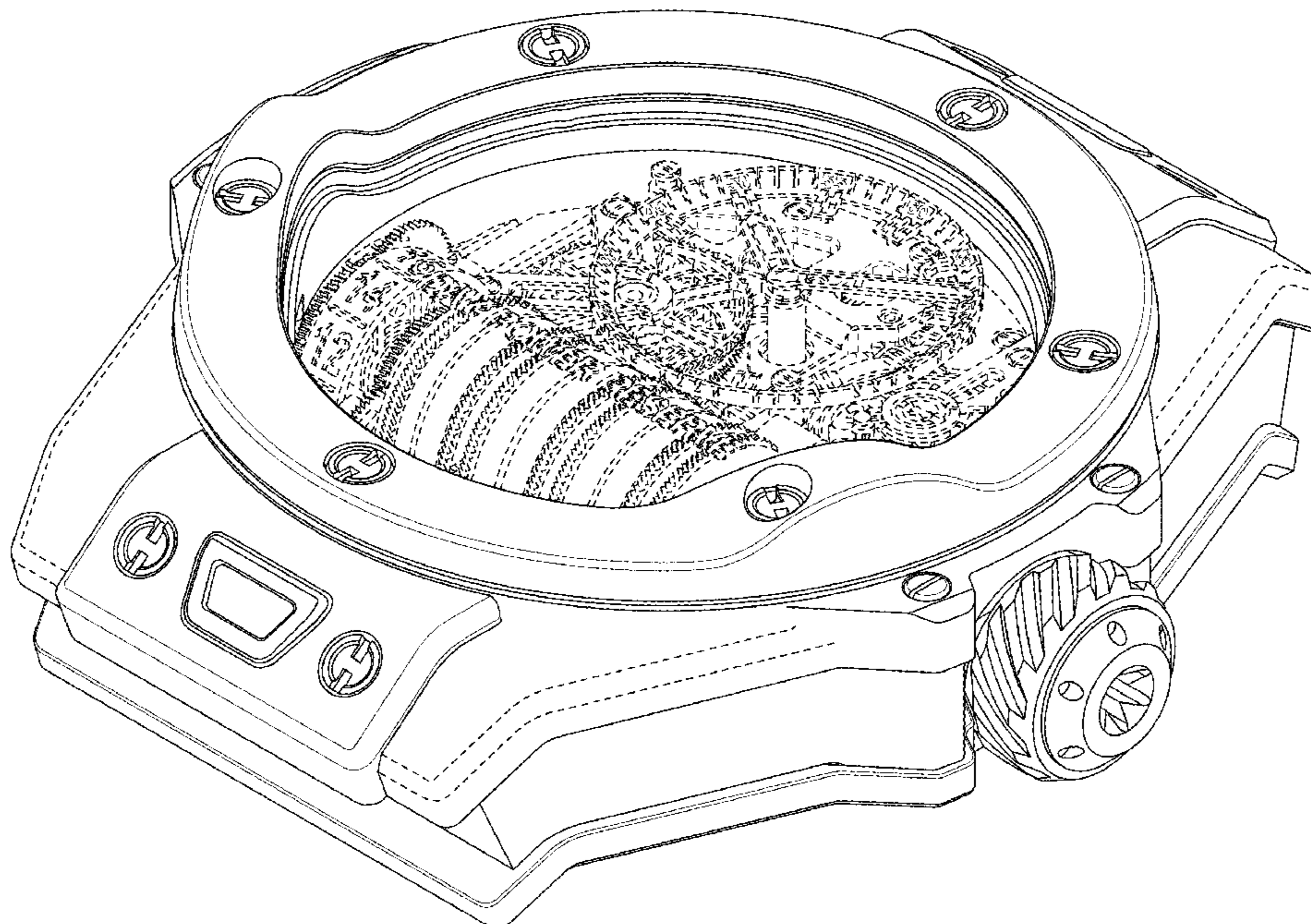
FIG. 1 is a perspective view of the front and right side of a wristwatch showing my new design;
FIG. 2 is a front elevational view thereof;
FIG. 3 is a rear elevational view thereof;
FIG. 4 is a top plan view thereof;
FIG. 5 is a bottom plan view thereof;
FIG. 6 is a right side elevational view thereof; and,
FIG. 7 is a left side elevational view thereof.
The portions depicted by broken lines are shown for illustrative purposes only and form no part of the claimed design.

1 Claim, 7 Drawing Sheets

(56) **References Cited**

U.S. PATENT DOCUMENTS

D391,863 S * 3/1998 Houlihan D10/30
D592,979 S * 5/2009 Arabo D10/38
D596,051 S * 7/2009 Mille D10/38
D617,211 S * 6/2010 Grimoldi D10/38
D652,326 S * 1/2012 Kummer D10/38



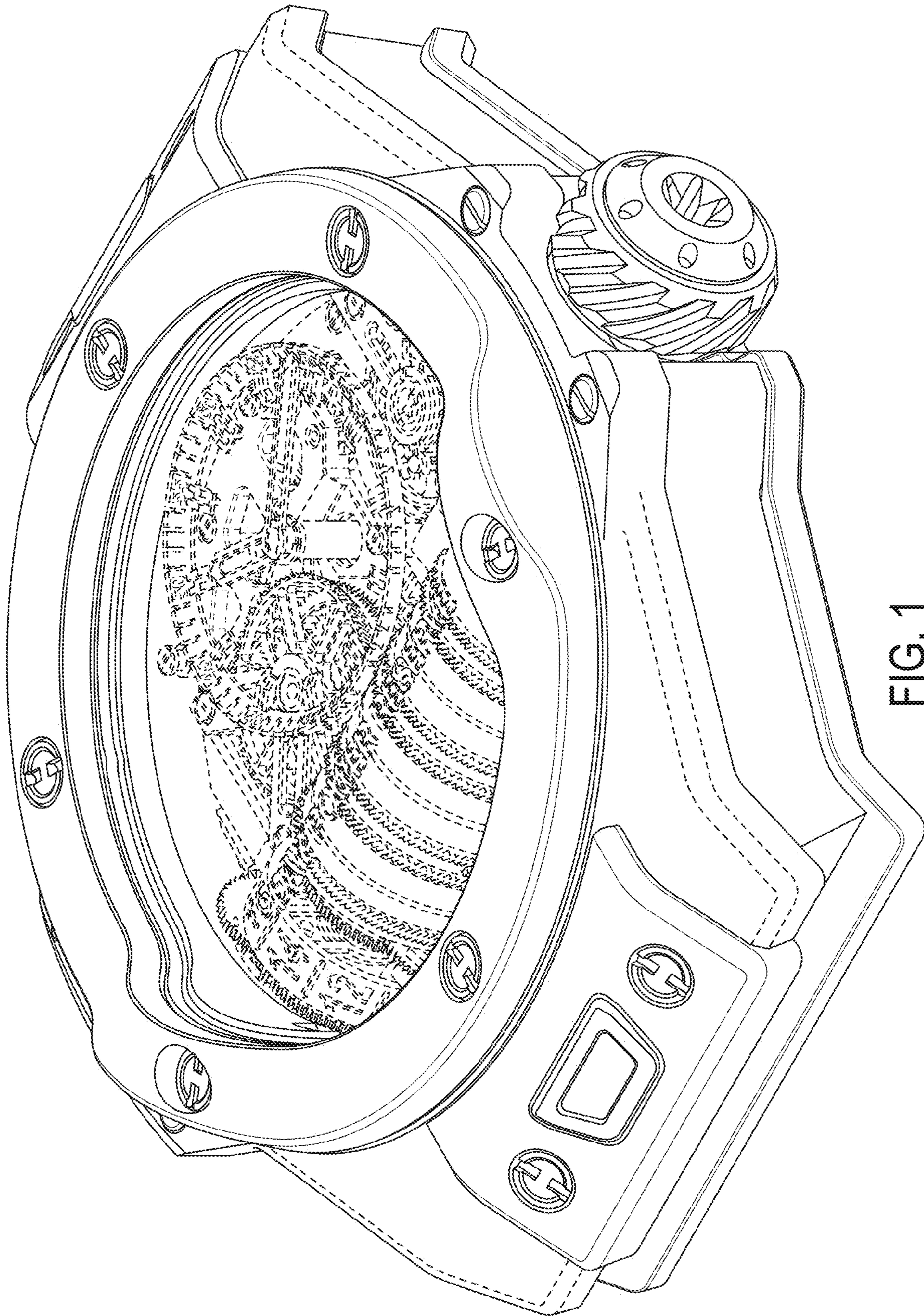


FIG. 1

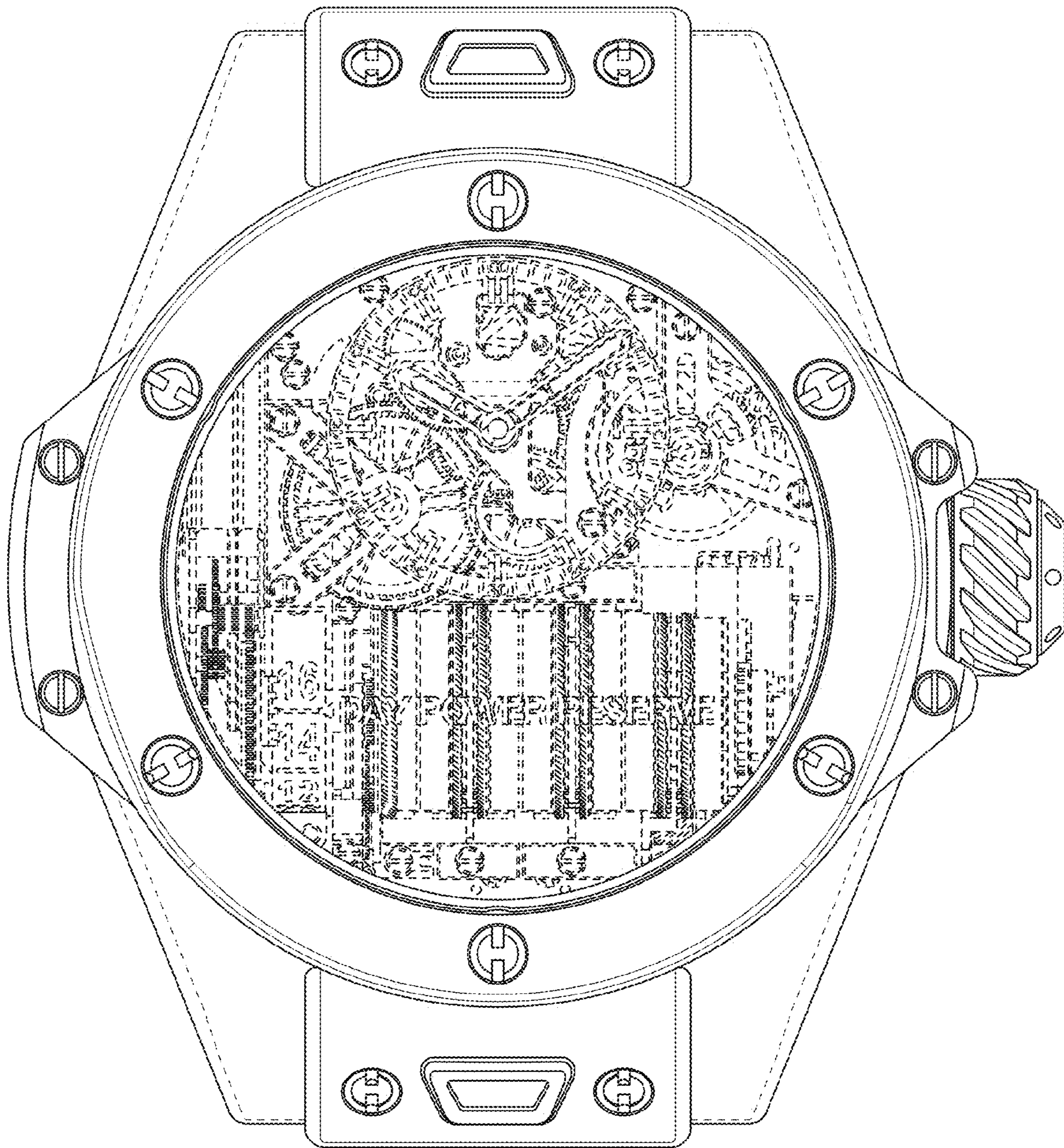


FIG. 2

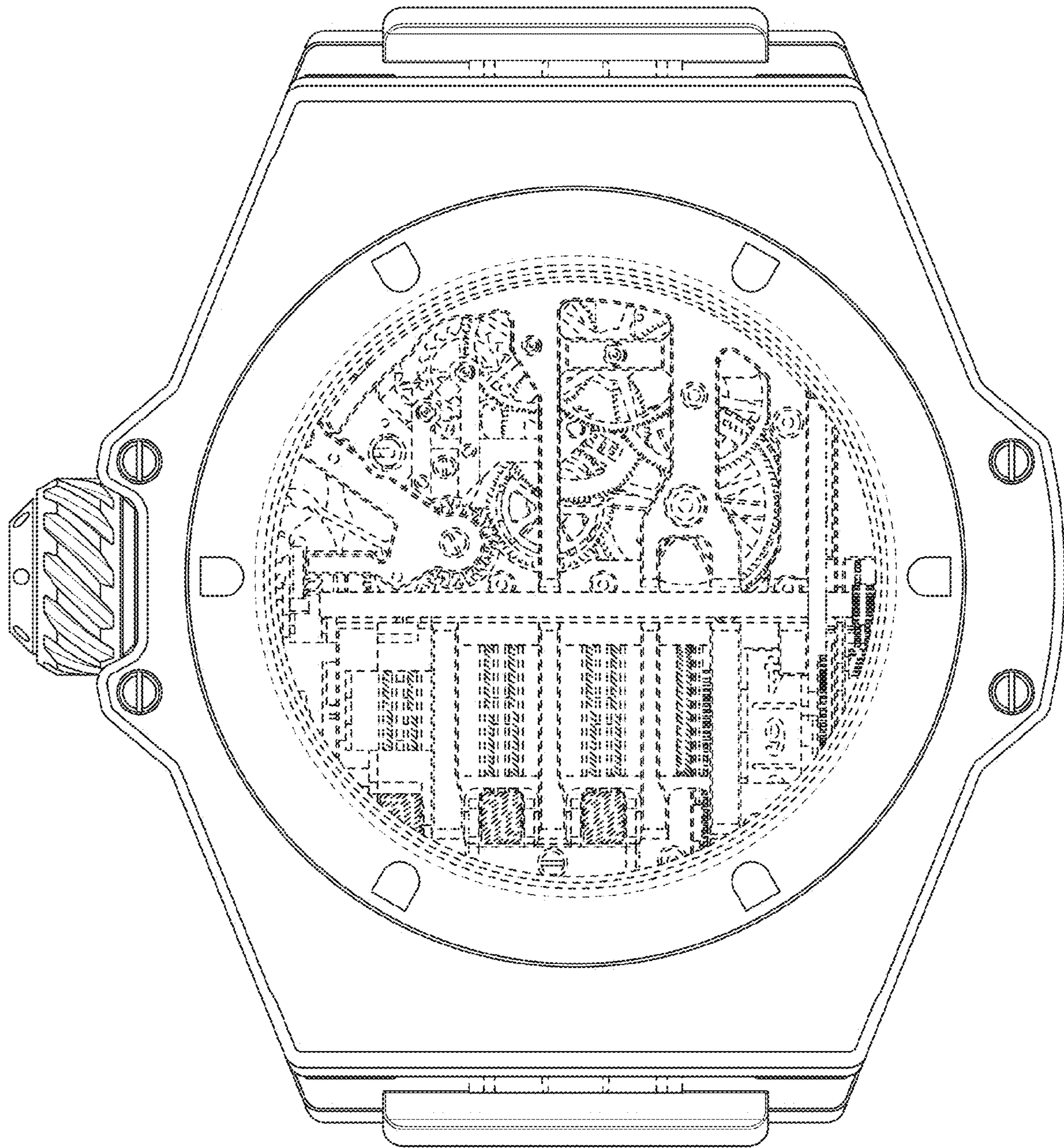


FIG. 3

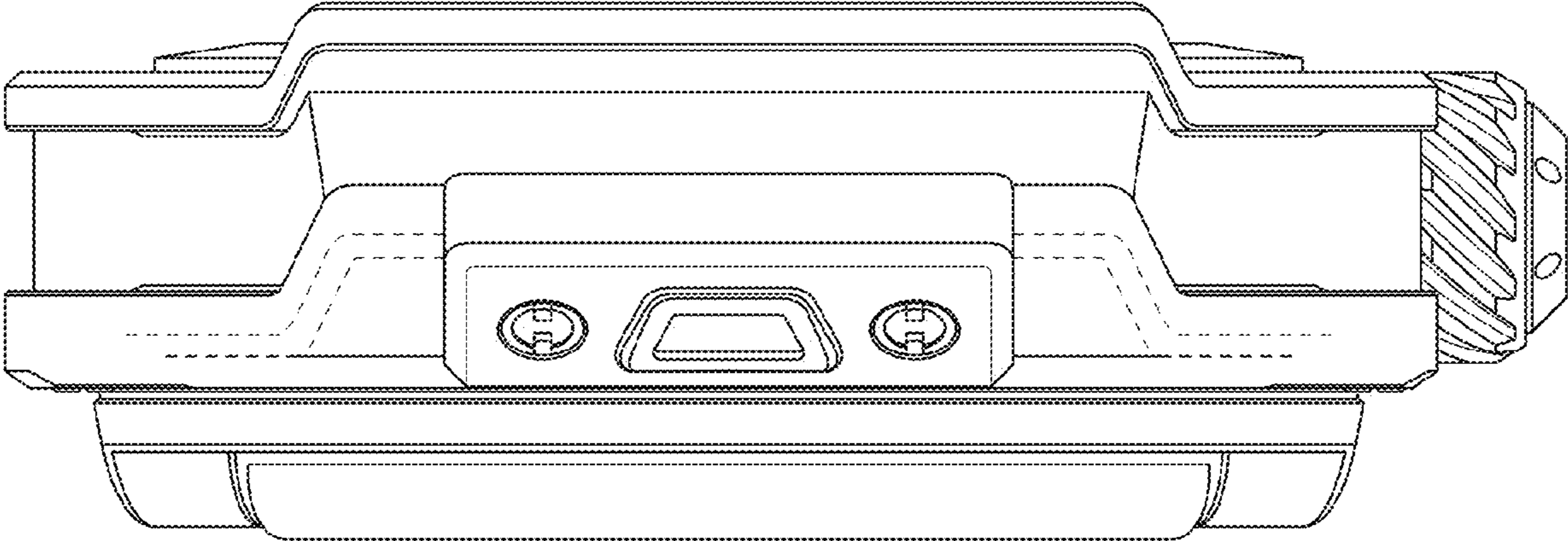


FIG. 4

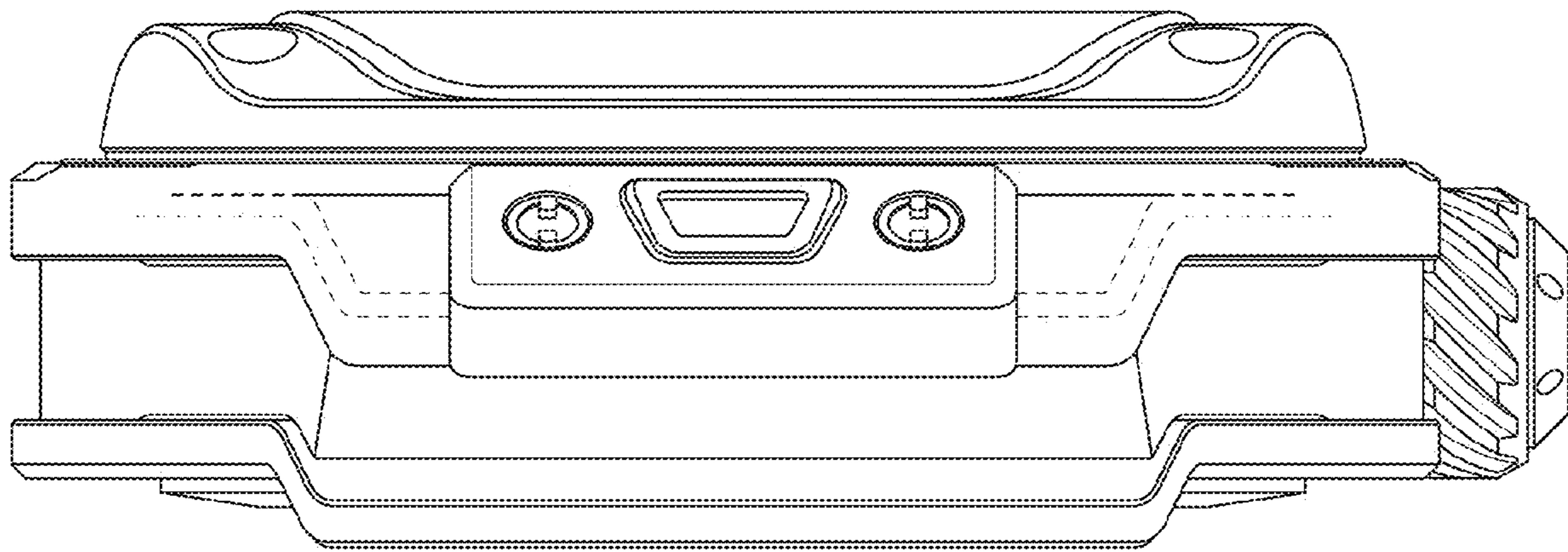


FIG. 5

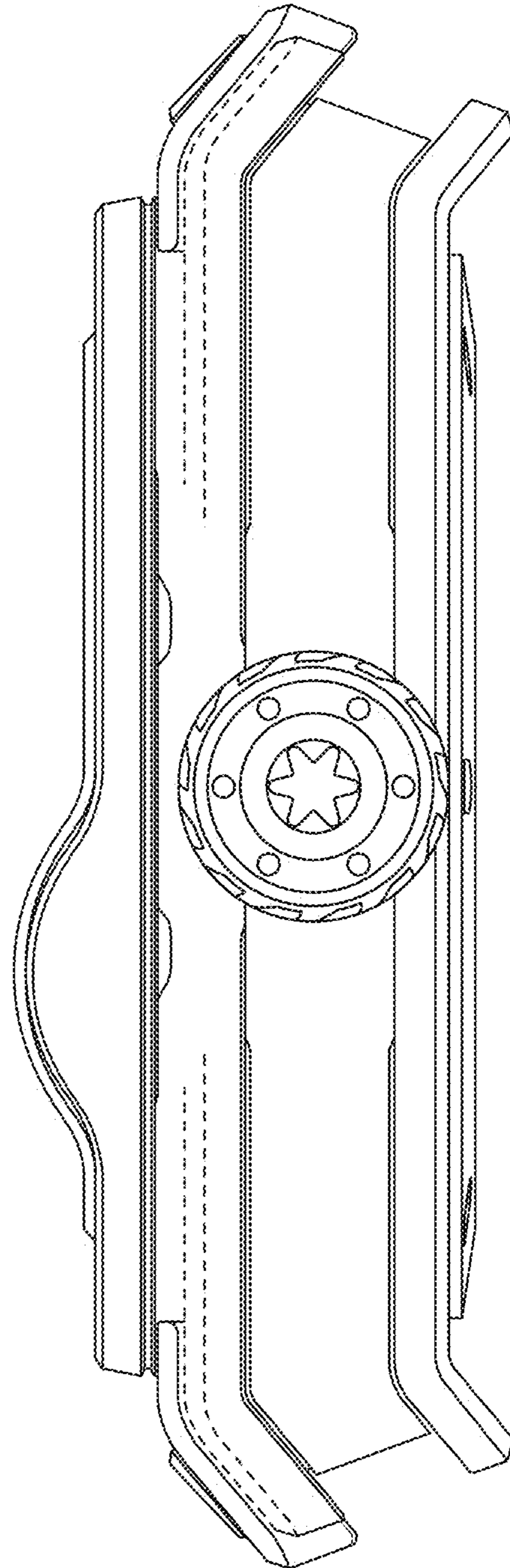


FIG. 6

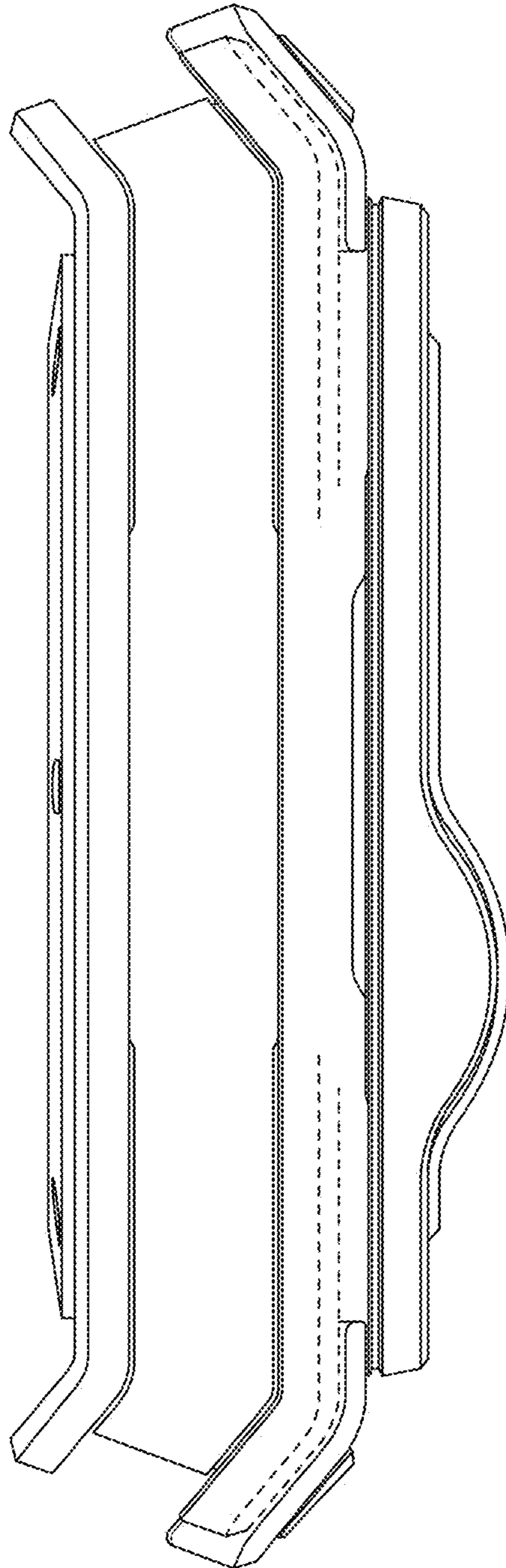


FIG. 7