



US00D885935S

(12) **United States Design Patent** (10) **Patent No.:** **US D885,935 S**
Xie et al. (45) **Date of Patent:** **** Jun. 2, 2020**

(54) **WATCH**

(71) Applicant: **Mobvoi Information Technology Company Limited**, Beijing OT (CN)
(72) Inventors: **Ke Xie**, Beijing (CN); **Jing Gu**, Beijing (CN)
(73) Assignee: **MOBVOI INFORMATION TECHNOLOGY COMPANY LIMITED**, Beijing (CN)

(**) Term: **15 Years**

(21) Appl. No.: **29/628,017**

(22) Filed: **Nov. 30, 2017**

(30) **Foreign Application Priority Data**

Sep. 1, 2017 (CN) 2017 3 0412170

(51) **LOC (12) Cl.** **10-02**

(52) **U.S. Cl.**
USPC **D10/38**

(58) **Field of Classification Search**
USPC D10/1-2, 10, 30-33, 36-39, 98-99, D10/122-124, 126-128, 132; D11/3; D14/344; D24/167, 186
CPC G04B 19/00; G04B 19/04; G04B 19/06; G04B 19/065; G04B 19/08; G04B 19/085; G04B 19/10; G04B 19/103; G04B 19/106; G04B 47/042; G04B 47/048; G04B 19/12; G04B 19/18; G04B 19/223; G04B 19/22; G04B 19/283; G04B 37/00; G04B 37/0008; G04B 37/0058; G04B 37/04; G04B 37/0418; G04B 45/0061; G04B 45/0069; G04B 19/26; G04B 19/264; G04D 3/04; A44C 5/00; A44C 5/0053; G04C 19/00; G04C 19/02; G04C 3/001; G04F 1/00; G04F 3/00; G04F 3/02; G04G 17/00; G04G 17/005; G04G 17/02-04; G04G 17/08

See application file for complete search history.

(56) **References Cited**

U.S. PATENT DOCUMENTS

D462,623 S * 9/2002 Fujihara D10/30
D477,235 S * 7/2003 El Kadiri D10/30
D690,211 S * 9/2013 Sugiura D10/38
D718,154 S * 11/2014 Gueit D10/38
D725,493 S * 3/2015 Rimanelli D10/30
D742,260 S * 11/2015 Park D10/30
D743,282 S * 11/2015 Park D10/30

(Continued)

OTHER PUBLICATIONS

Ticwatch S E by Mobvoi | posted at kickstarter.com Jul. 11, 2017 © 2018 Kickstarter, PBC [online][site visited Sep. 20, 2018]. Available from internet: <https://www.kickstarter.com/projects/mobvoi/ticwatch-s-and-e-a-truly-optimized-smartwatch?ref=nav_search&result=project&term=mobvoi> (Year: 2017).*

(Continued)

Primary Examiner — Sandra S Snapp
Assistant Examiner — Katherine Glennon
(74) *Attorney, Agent, or Firm* — Bayramoglu Law Offices LLC

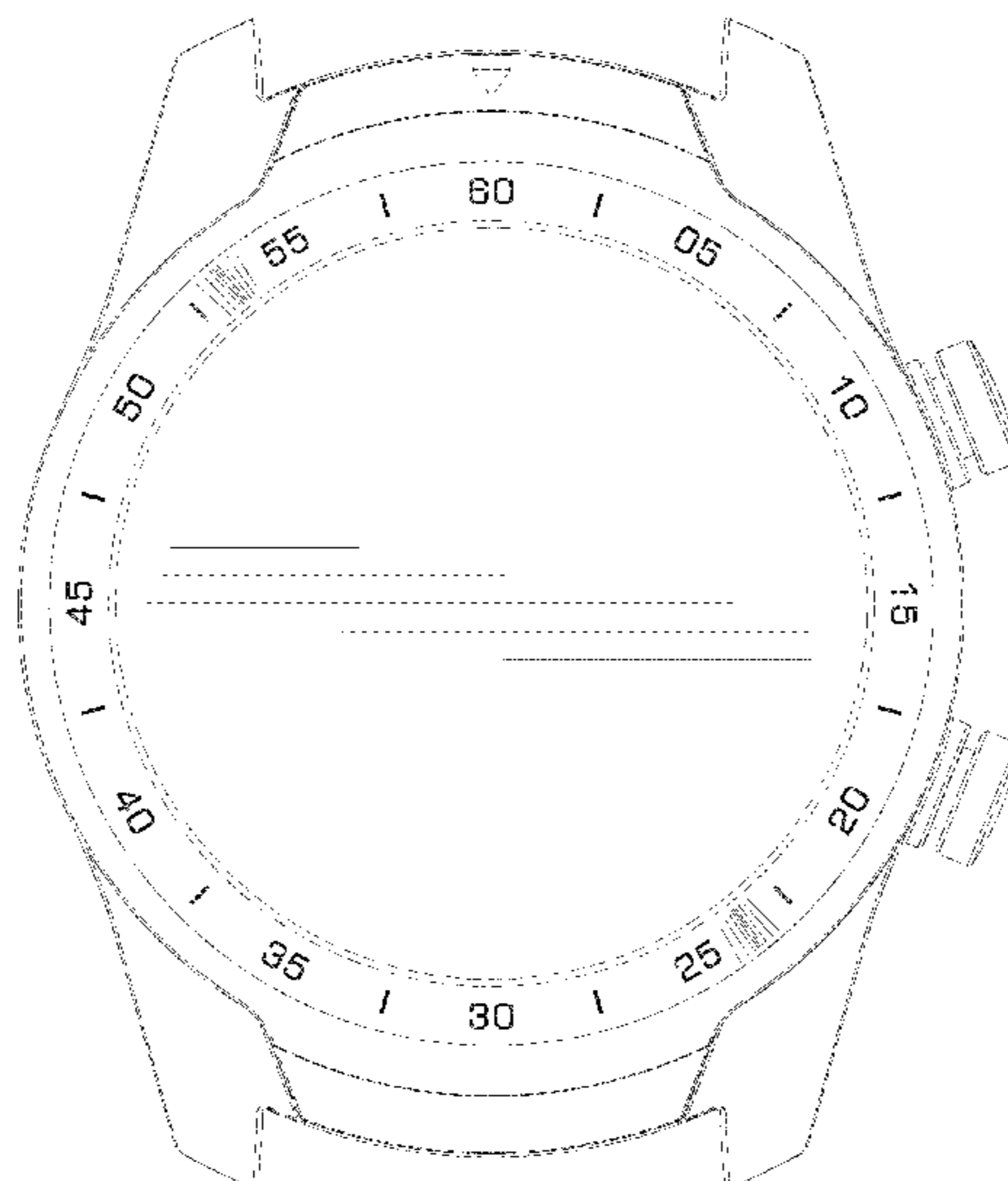
(57) **CLAIM**

The ornamental design for a watch, as shown and described.

DESCRIPTION

FIG. 1 is a front elevation view of a watch showing the new design;
FIG. 2 is a rear elevation view thereof;
FIG. 3 is a left elevation view thereof;
FIG. 4 is a right elevation view thereof;
FIG. 5 is a top plan view thereof; and,
FIG. 6 is a bottom plan view thereof.
The broken lines in the figures illustrate portions of the watch that form no part of the claimed design.

1 Claim, 6 Drawing Sheets



(56)

References Cited

U.S. PATENT DOCUMENTS

D749,431 S * 2/2016 Babcock D10/30
D769,134 S * 10/2016 Schwamkrug D10/38
D773,944 S * 12/2016 Wang D10/30
D795,863 S * 8/2017 Park D10/30
9,760,064 B2 * 9/2017 Kim G04G 21/00
D809,938 S * 2/2018 Hou D10/30
D815,090 S * 4/2018 Chan D14/344
D823,853 S * 7/2018 Yoshimoto D14/344
D849,561 S * 5/2019 Behling D10/30
D849,565 S * 5/2019 Behling D10/39
D858,563 S * 9/2019 Xu D14/488
D860,823 S * 9/2019 Bove D10/39
D860,835 S * 9/2019 Kojima D10/70
2018/0188925 A1 * 7/2018 Na H04M 1/725

OTHER PUBLICATIONS

Mobvoi Ticwatch 2 | posted at theverge.com Jul. 11, 2017 © 2018
Vox Media, Inc. [online][site visited Sep. 20, 2018]. Available from
internet: <<https://www.theverge.com/circuitbreaker/2017/7/11/15952162/ticwatch-android-wear-smartwatch-kickstarter-mobvoi-price>> (Year: 2017).*

Mobvoi Ticwear 2 | posted at theverge.com Jul. 26, 2016 © 2018
Vox Media, Inc. [online][site visited Sep. 20, 2018]. Available from
internet: <<https://www.theverge.com/circuitbreaker/2016/7/26/12284296/ticwatch-2-smartwatch-android-kickstarter>> (Year: 2016).*

* cited by examiner

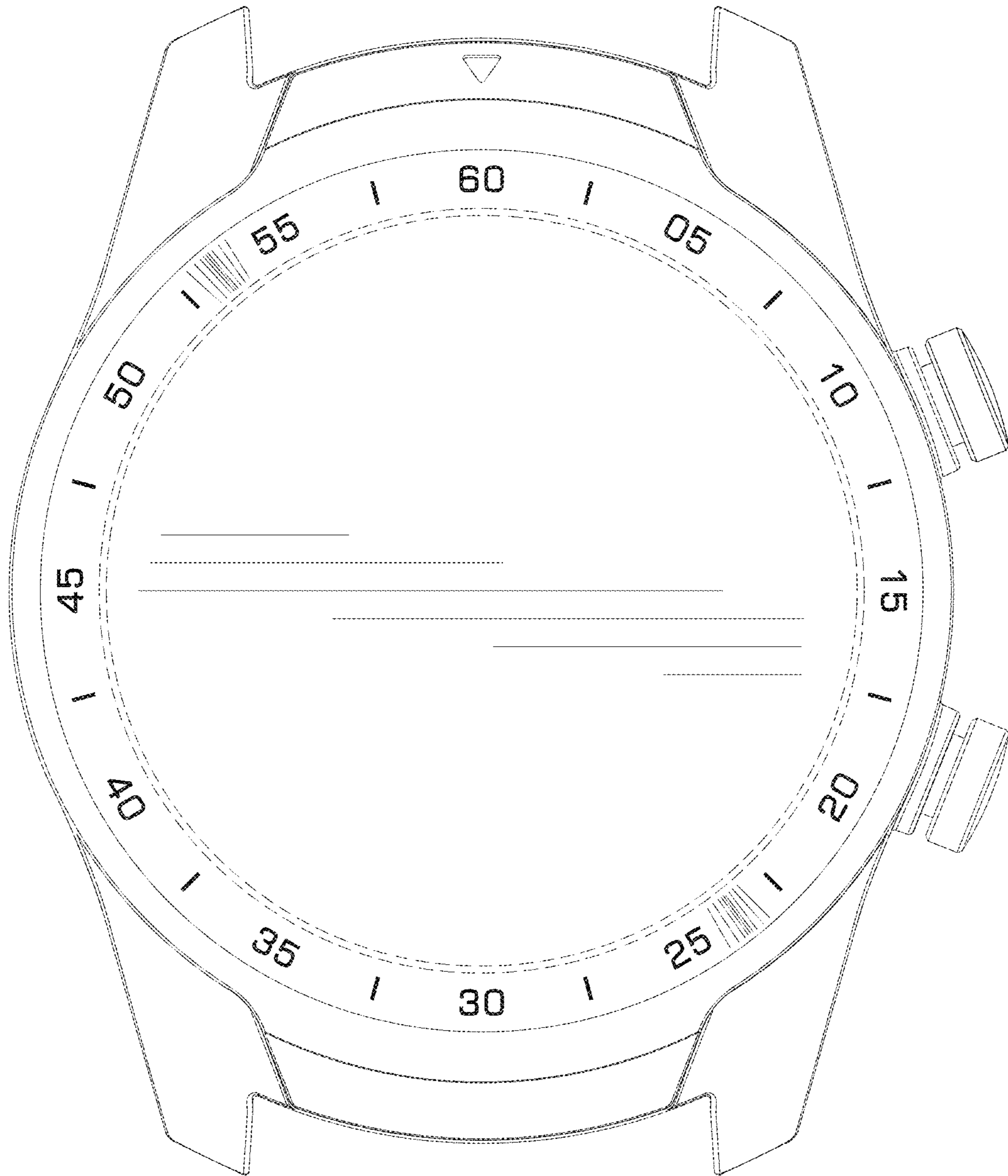


FIG. 1

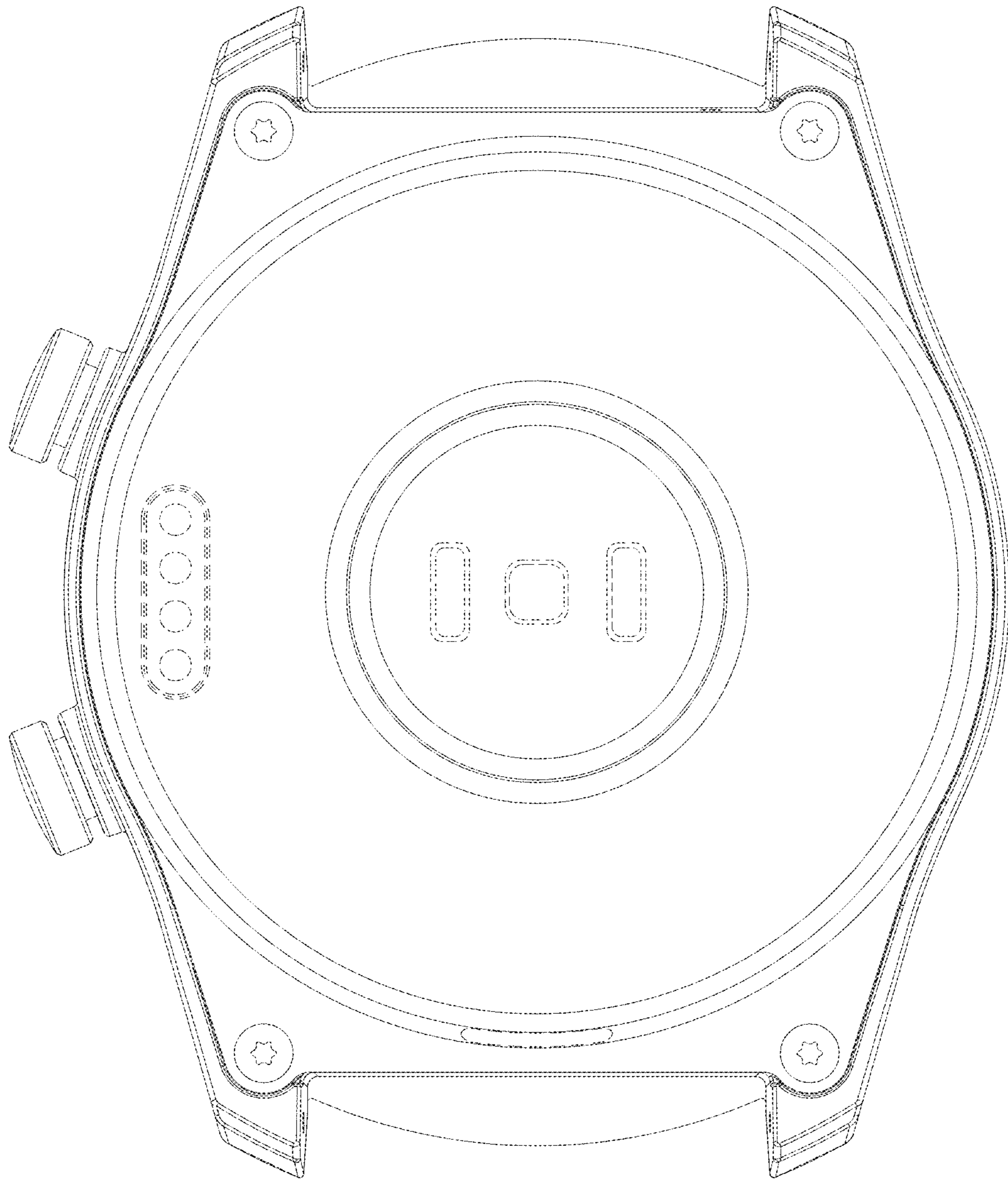


FIG. 2

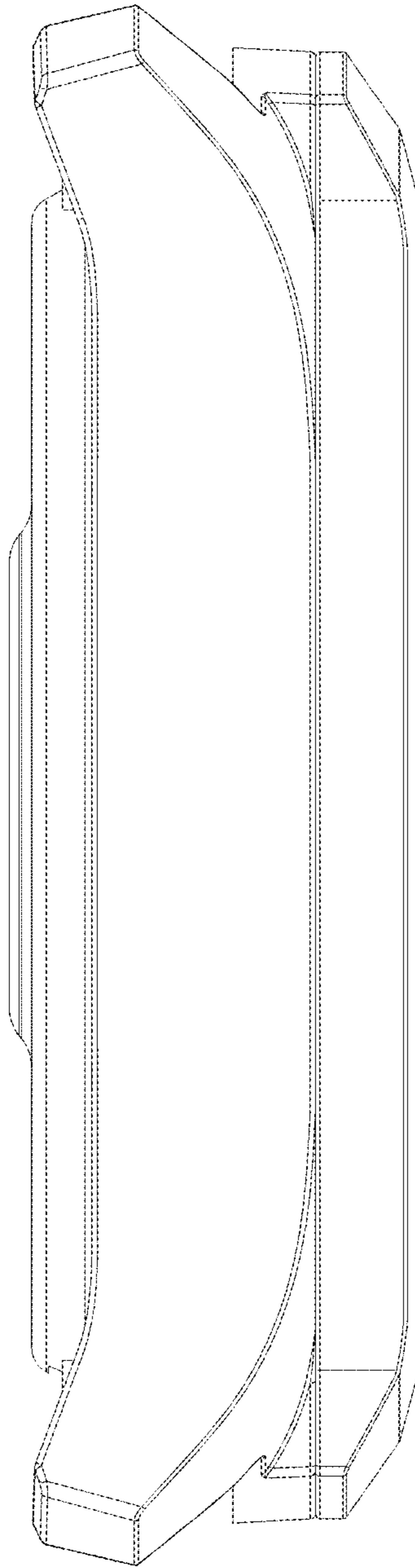


FIG. 3

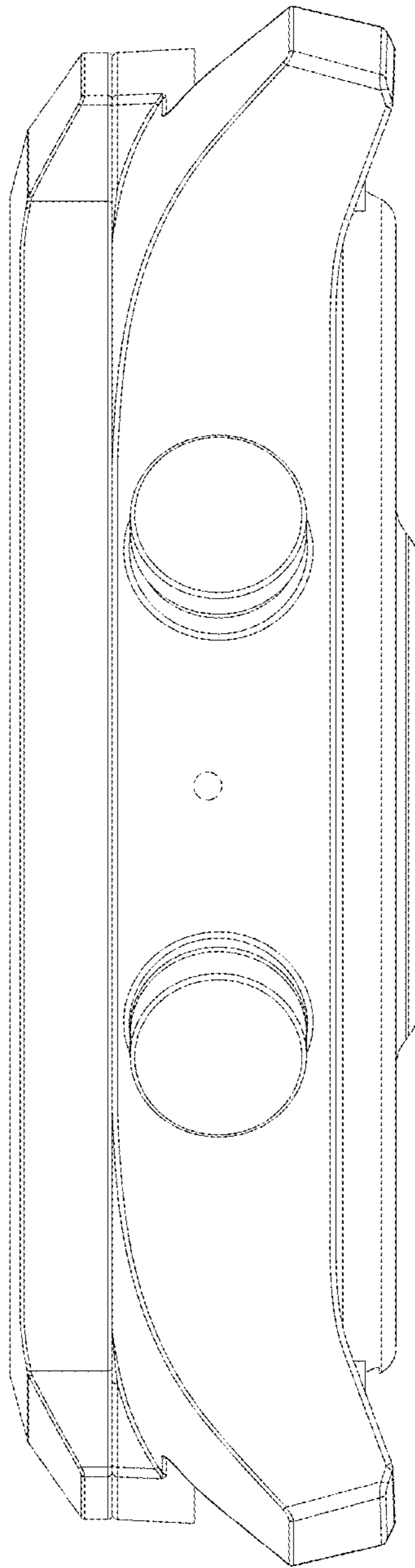


FIG. 4

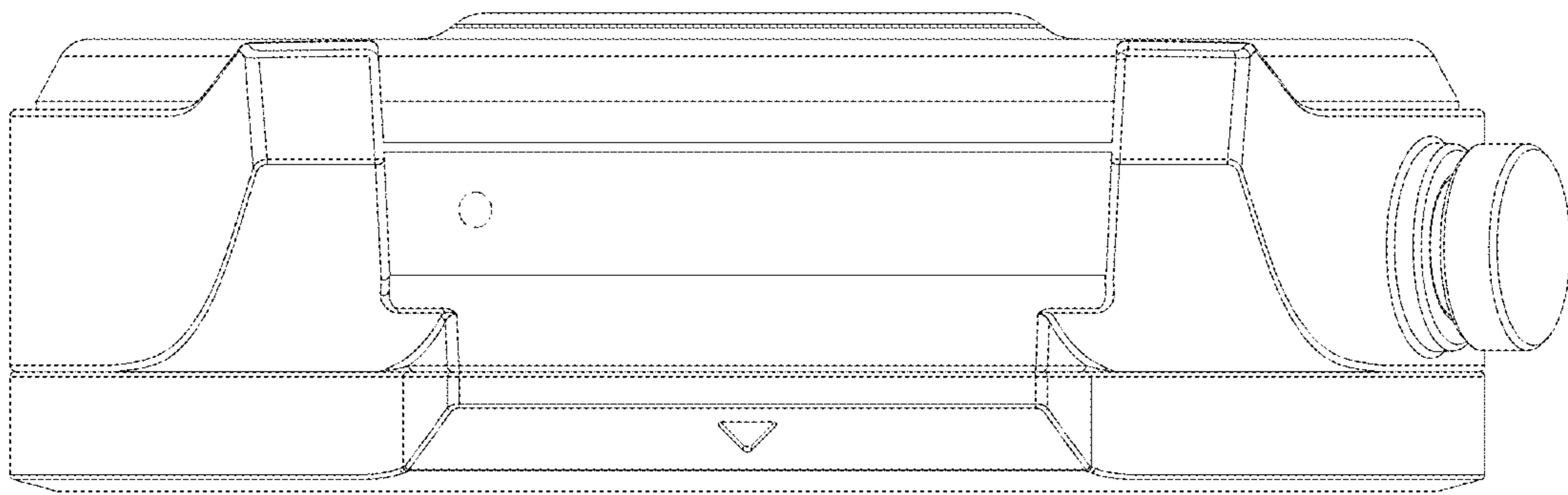


FIG. 5

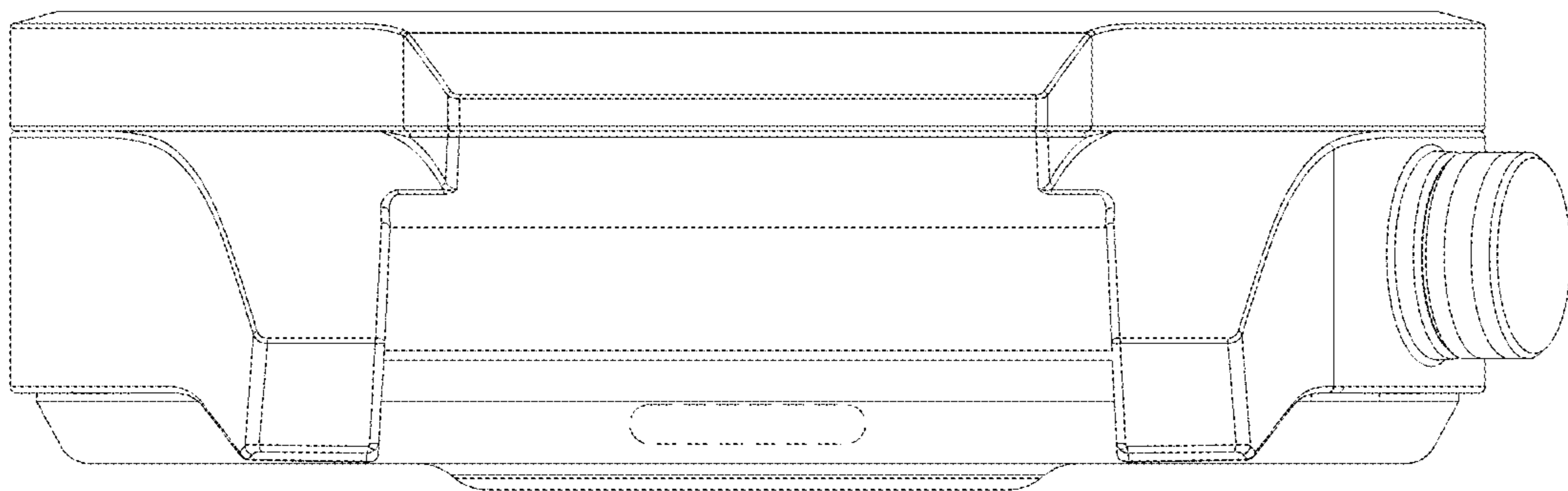


FIG. 6