



US00D885933S

(12) **United States Design Patent** (10) **Patent No.:** **US D885,933 S**
Arendt et al. (45) **Date of Patent:** **** Jun. 2, 2020**

(54) **PACKAGE**
(71) Applicant: **Kraft Foods Group Brands LLC**,
Chicago, IL (US)
(72) Inventors: **Brian Arendt**, Chicago, IL (US);
Jordan Dasher, Chicago, IL (US)
(73) Assignee: **Kraft Foods Group Brands LLC**,
Chicago, IL (US)

D376,953 S * 12/1996 Dunn D7/549
D378,726 S * 4/1997 Dunn D7/549
D381,264 S * 7/1997 Lippincott D9/425
5,728,416 A * 3/1998 Bono B65D 81/3492
426/107
D443,510 S * 6/2001 Doucette D9/761
(Continued)

(**) Term: **15 Years**

(21) Appl. No.: **29/702,732**
(22) Filed: **Aug. 21, 2019**

Related U.S. Application Data

(62) Division of application No. 29/598,919, filed on Mar.
29, 2017, now Pat. No. Des. 862,248.
(51) **LOC (12) Cl.** **09-03**
(52) **U.S. Cl.**
USPC **D9/737**
(58) **Field of Classification Search**
USPC D9/737, 761, 414, 415, 424, 425,
D9/430-432, 427, 760; 426/108, 110,
426/119, 122; 229/164.1; 206/45.24,
206/45.23, 461, 545; 220/631
CPC .. A23V 2200/08; B65D 1/36; B65D 77/2024;
B65D 71/70; B65D 85/78; A23G 9/503
See application file for complete search history.

(56) **References Cited**

U.S. PATENT DOCUMENTS

D20,487 S * 1/1891 McBride D7/555
5,042,652 A * 8/1991 Grindrod B65D 75/02
206/557
5,119,940 A * 6/1992 Grindrod B65D 75/54
206/561
D351,556 S * 10/1994 Reil D9/415
D363,856 S * 11/1995 Westbrook, Jr. D7/553.2

FOREIGN PATENT DOCUMENTS

CA 177342 * 9/2018
CA 182451 * 9/2018

OTHER PUBLICATIONS

“Spotted on shelves (Meat Edition)”, available Apr. 25, 2017,
[online]. [site visited May 2, 2019]. Available from internet, URL:
<https://www.theimpulsivebuy.com/wordpress/2017/04/25/spotted-on-shelves-meat-edition-4252017/> (Year: 2017).*

(Continued)

Primary Examiner — W. A. Teddy Falloway
(74) *Attorney, Agent, or Firm* — Fitch, Even, Tabin &
Flannery LLP

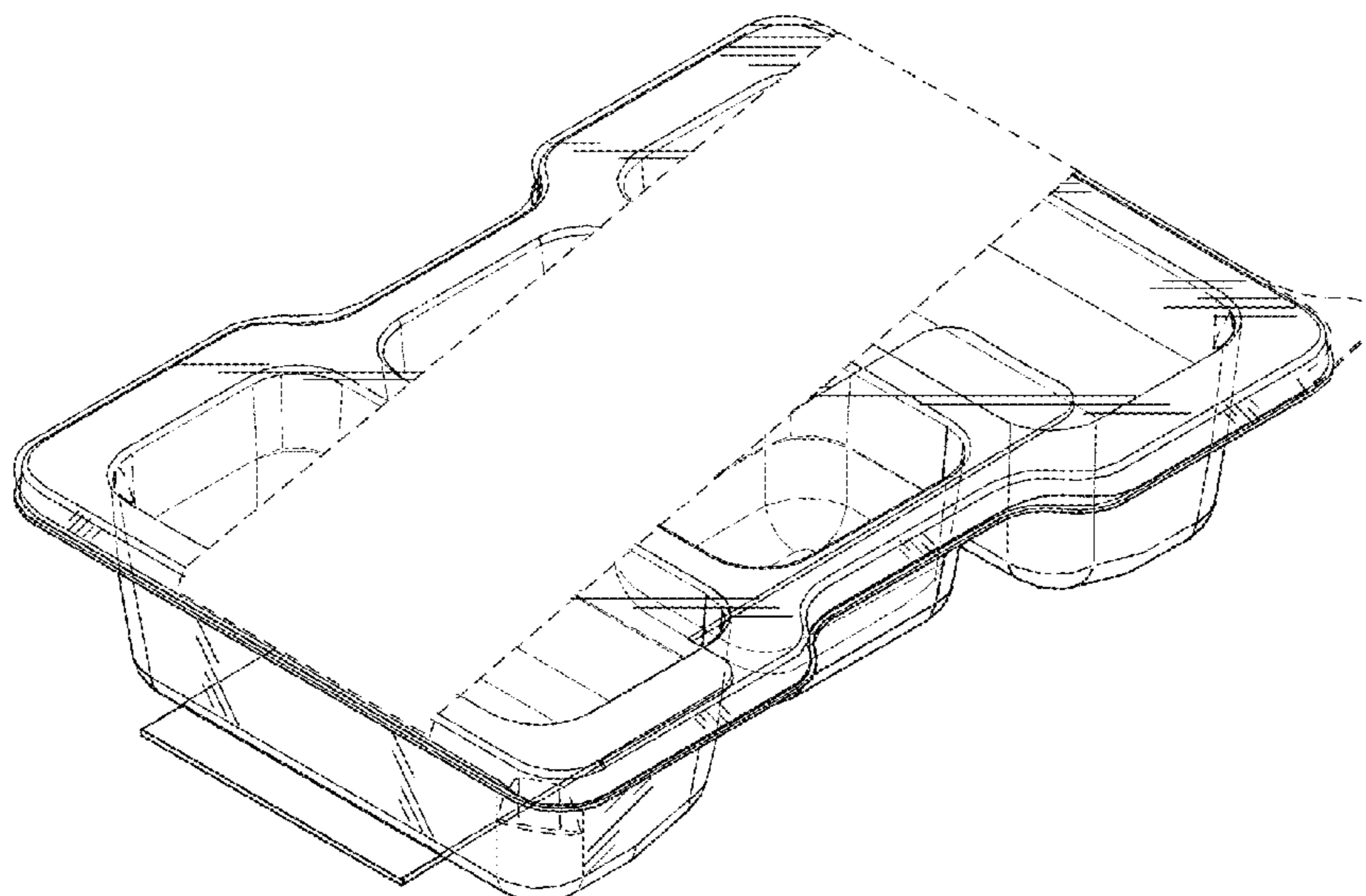
(57) **CLAIM**

The ornamental design for a package, as shown and
described.

DESCRIPTION

FIG. 1 is a perspective view of a package showing our new
design;
FIG. 2 is a top plan view thereof;
FIG. 3 is a left-side elevational view thereof;
FIG. 4 is a right-side elevational view thereof;
FIG. 5 is a front elevational view thereof;
FIG. 6 is a rear elevational view thereof, and;
FIG. 7 is a bottom plan view thereof.
The broken lines shown illustrate portions of the package
that form no part of the claimed design.

1 Claim, 4 Drawing Sheets



(56)

References Cited

U.S. PATENT DOCUMENTS

D537,633 S * 3/2007 Marnell, II D3/313
 D573,038 S * 7/2008 Picken D9/737
 D579,769 S * 11/2008 Lipinski D9/759
 D634,619 S * 3/2011 Fisher D9/425
 D714,660 S * 10/2014 Tilahun D9/737
 D839,751 S * 2/2019 Troutdt D9/737
 D862,248 S * 10/2019 Arendt D9/760
 2002/0108955 A1 * 8/2002 Erb B65D 1/36
 220/359.4
 2007/0178194 A1 * 8/2007 Everard A23G 3/54
 426/106
 2009/0039079 A1 * 2/2009 Lipinski B65D 21/0206
 220/23.4
 2009/0159483 A1 * 6/2009 Hinze B65D 75/327
 206/548
 2011/0240653 A1 * 10/2011 Castner A45C 11/20
 220/526
 2015/0360840 A1 * 12/2015 Tilahun B65D 25/22
 426/87

OTHER PUBLICATIONS

“Convenience + Meat + Cheese + Nuts = P3 Portable Protein Packs”, available Mar. 11, 2014, [online], [site visited May 2, 2019]. Available from internet, URL: <https://designertrapped.com/p3-portable-protein-packs/> (Year: 2014).*

“New TraySkin film made specifically for poultry packaging”, available Jan. 9, 2017, [online], [site visited May 2, 2019]. Available from internet, URL: <https://www.packagingstrategies.com/articles/89395-new-trayskin-film-made-specifically-for-poultry-packaging> (Year: 2017).*

“Easy After School Snacks for the Busy Family”, available Oct. 19, 2017, [online], [site visited May 2, 2019]. Available from internet, URL: <https://www.blessthismessplease.com/after-school-snacks-8/> (Year: 2017).*

* cited by examiner

FIG. 1

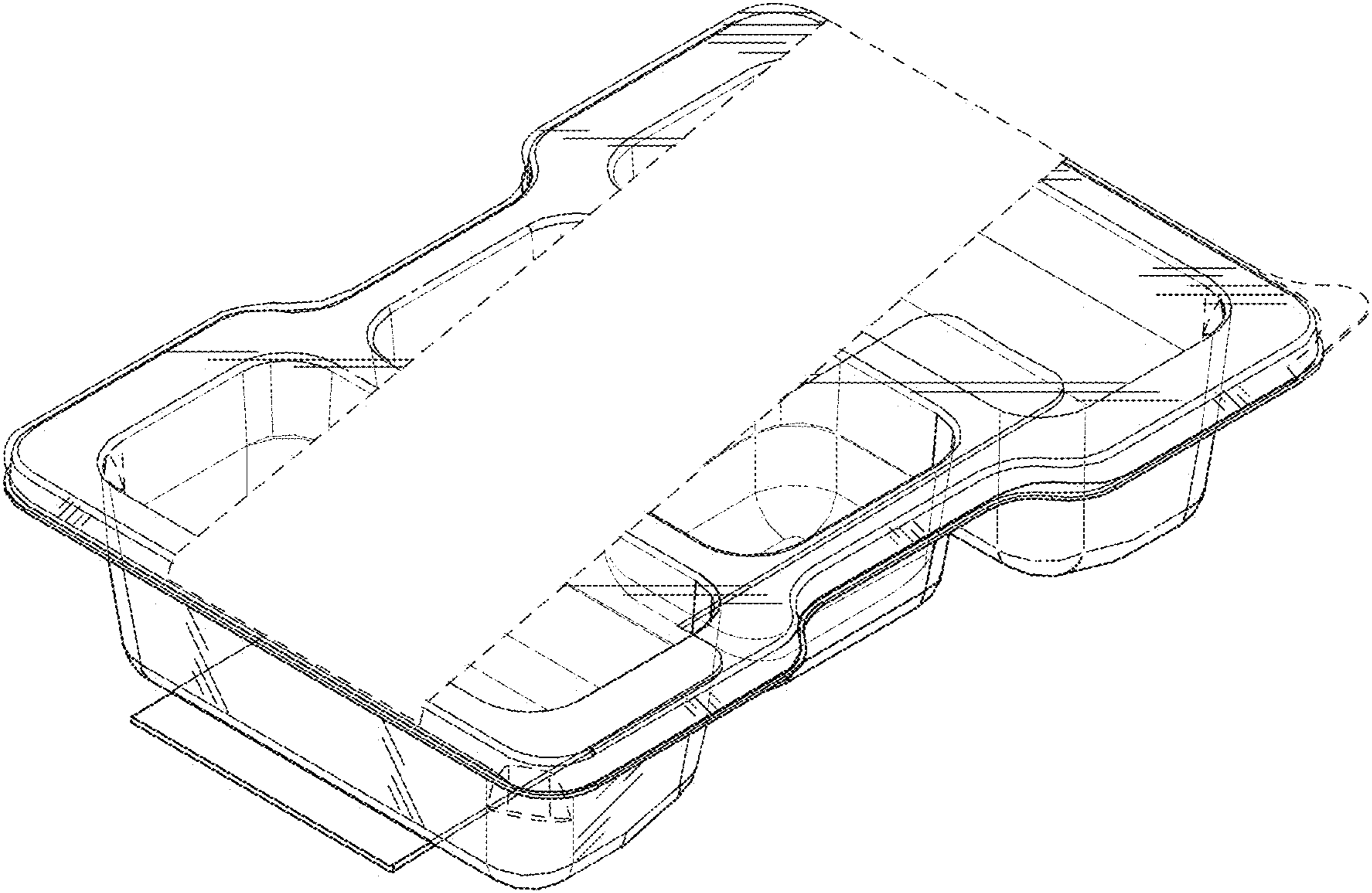


FIG. 2

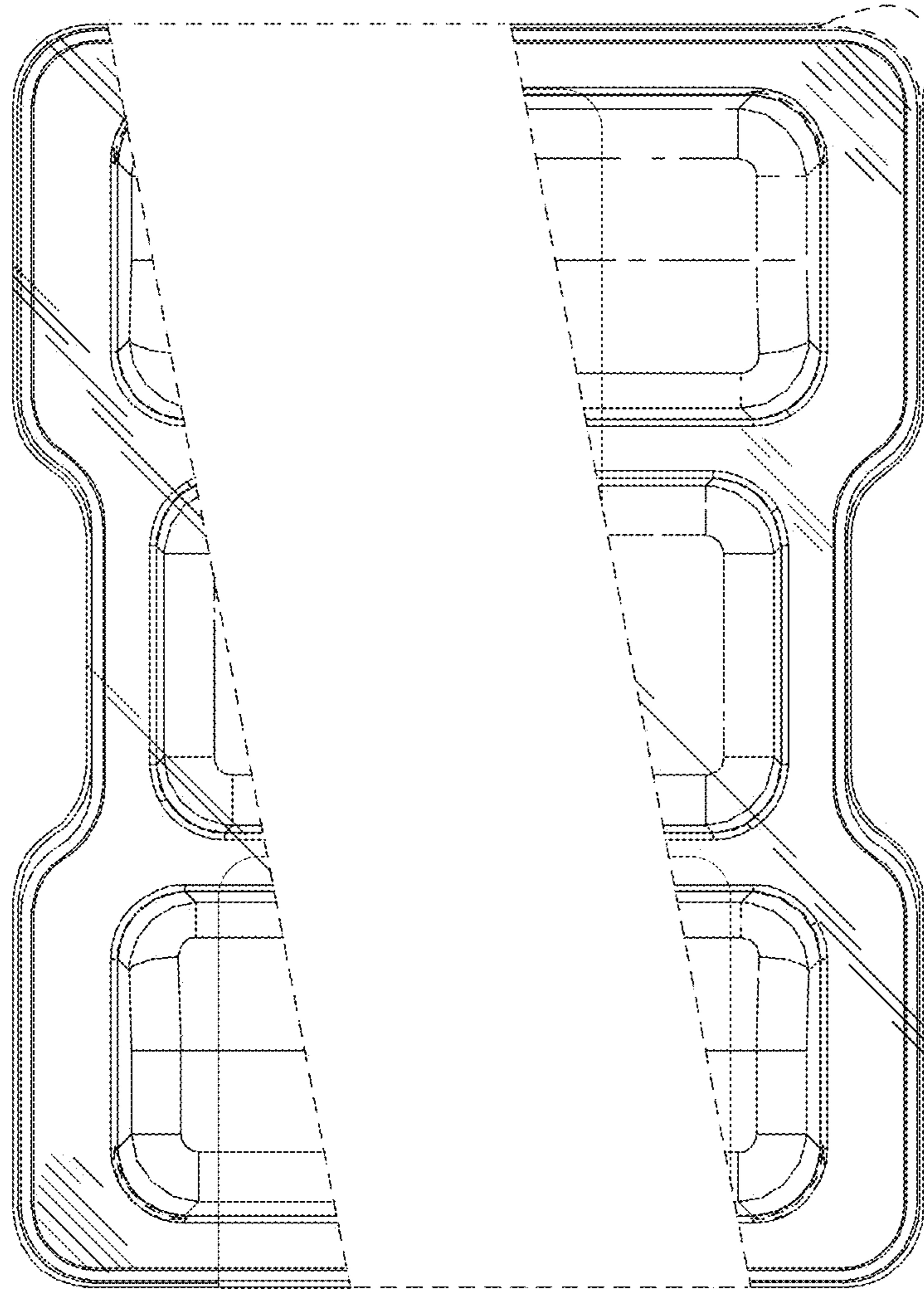


FIG. 3

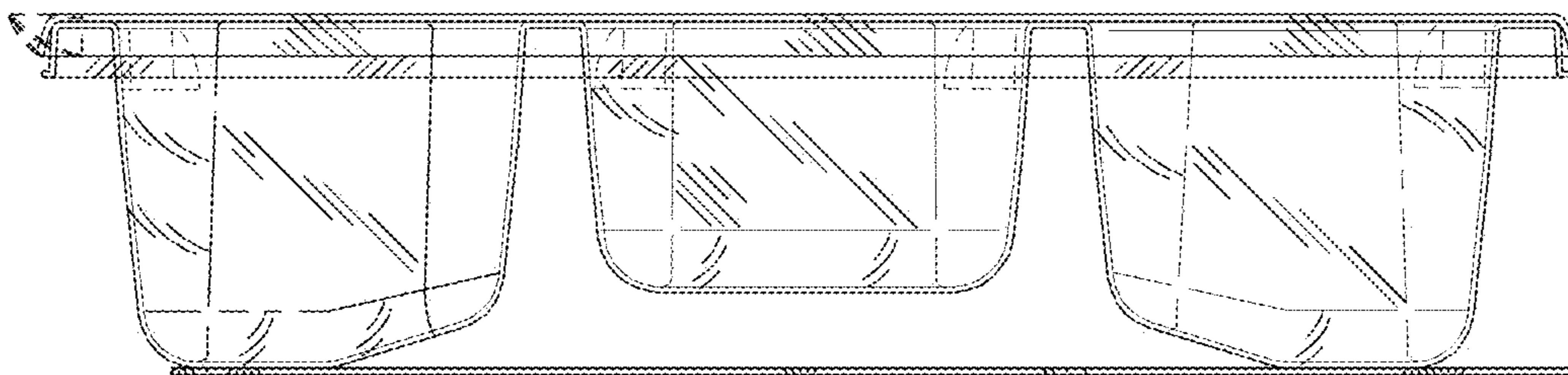


FIG. 4

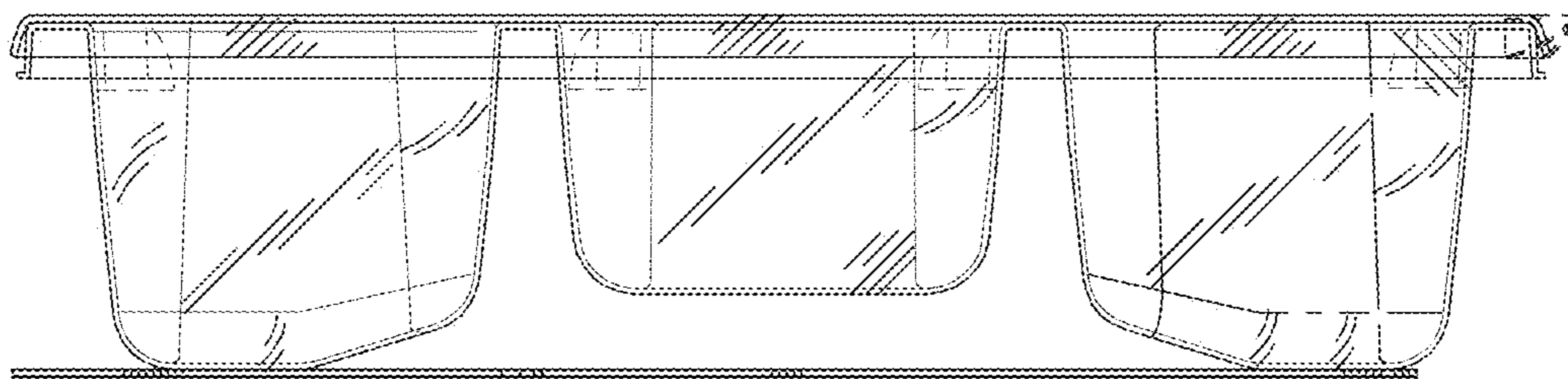


FIG. 5

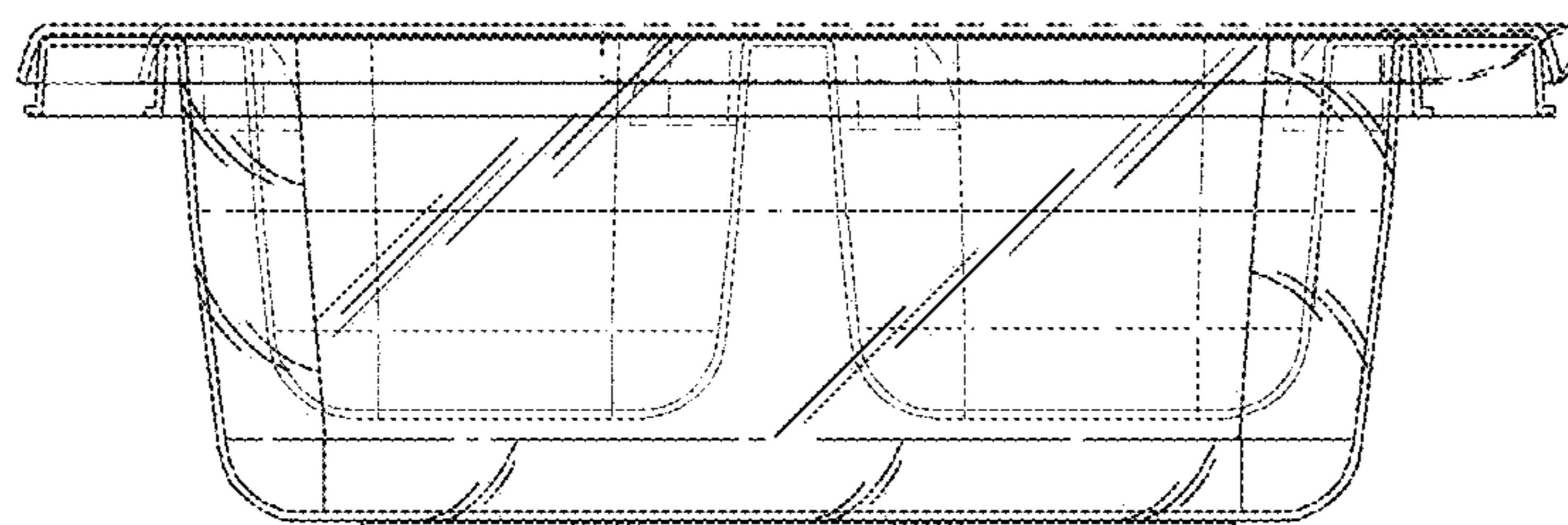


FIG. 6

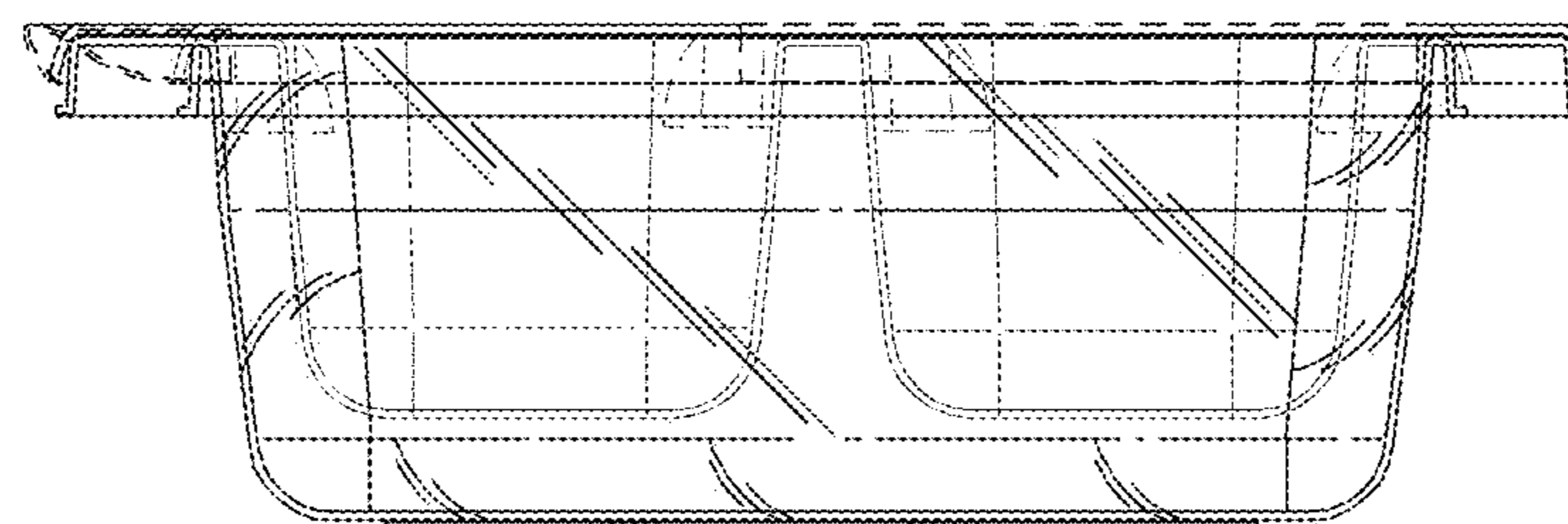


FIG. 7

