



US00D885931S

(12) **United States Design Patent**  
**Yosufy**

(10) **Patent No.:** **US D885,931 S**

(45) **Date of Patent:** **\*\* Jun. 2, 2020**

(54) **SILICONE BAG**

(71) Applicant: **Sal Yosufy**, Elk Grove, CA (US)

(72) Inventor: **Sal Yosufy**, Elk Grove, CA (US)

(\*\*) Term: **15 Years**

(21) Appl. No.: **29/679,216**

(22) Filed: **Feb. 4, 2019**

(51) **LOC (12) Cl.** ..... **09-05**

(52) **U.S. Cl.**

USPC ..... **D9/709**

(58) **Field of Classification Search**

USPC ..... D9/702-714, 414, 426, 428, 430-433;  
D3/232, 243-246, 229, 328, 231, 226,  
D3/233; 220/890; 229/87.01, 87.04;  
D7/604, 605, 601; 150/100-102, 130,  
150/900; 383/6, 12, 33, 22, 123, 104,  
383/907, 121.1, 120, 4; 190/900-903;  
224/42.11, 236, 429; 428/34.3

CPC ..... A45C 13/18; A45C 13/08; A45C 3/06;  
A45C 3/001; A45C 3/00; A45C 3/04

See application file for complete search history.

(56) **References Cited**

**U.S. PATENT DOCUMENTS**

1,751,473 A \* 3/1930 Deubener ..... B65D 33/10  
383/6  
D551,565 S \* 9/2007 Wouters ..... D9/704

D636,988 S \* 5/2011 Romero ..... D3/232  
D718,931 S \* 12/2014 Brundl ..... D3/232  
D724,836 S \* 3/2015 Thai ..... D3/232  
D745,268 S \* 12/2015 Slimane ..... D3/232  
D856,665 S \* 8/2019 Tooze ..... D3/232

\* cited by examiner

*Primary Examiner* — Abraham Bahta

(57) **CLAIM**

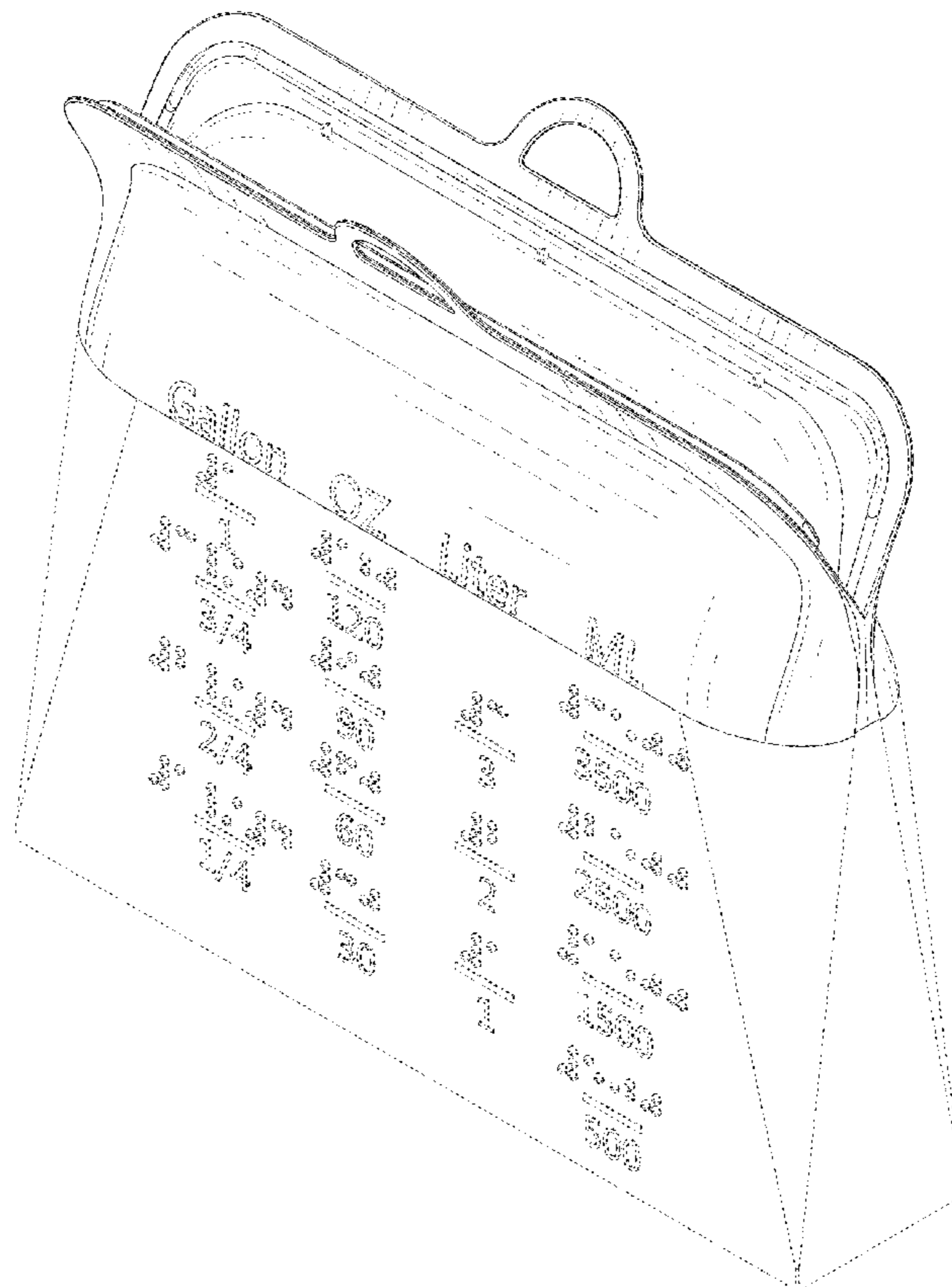
The ornamental design for a silicone bag, as shown and described.

**DESCRIPTION**

FIG. 1 is a front, top, left perspective view of a silicone bag showing my new design;  
FIG. 2 is a rear, bottom, right perspective view thereof;  
FIG. 3 is a front elevational view thereof;  
FIG. 4 is a rear elevational view thereof;  
FIG. 5 is a right elevation view thereof;  
FIG. 6 is a left elevation view thereof;  
FIG. 7 is a top plan view thereof;  
FIG. 8 is a bottom plan view thereof; and,  
FIG. 9 is a detail view of the female canal, and male ridge in FIG. 7.

The broken line showing the container, knobs and receiving recess in FIGS. 1-9 are included for the purpose of showing environmental structure and form no part of the claimed design.

**1 Claim, 9 Drawing Sheets**



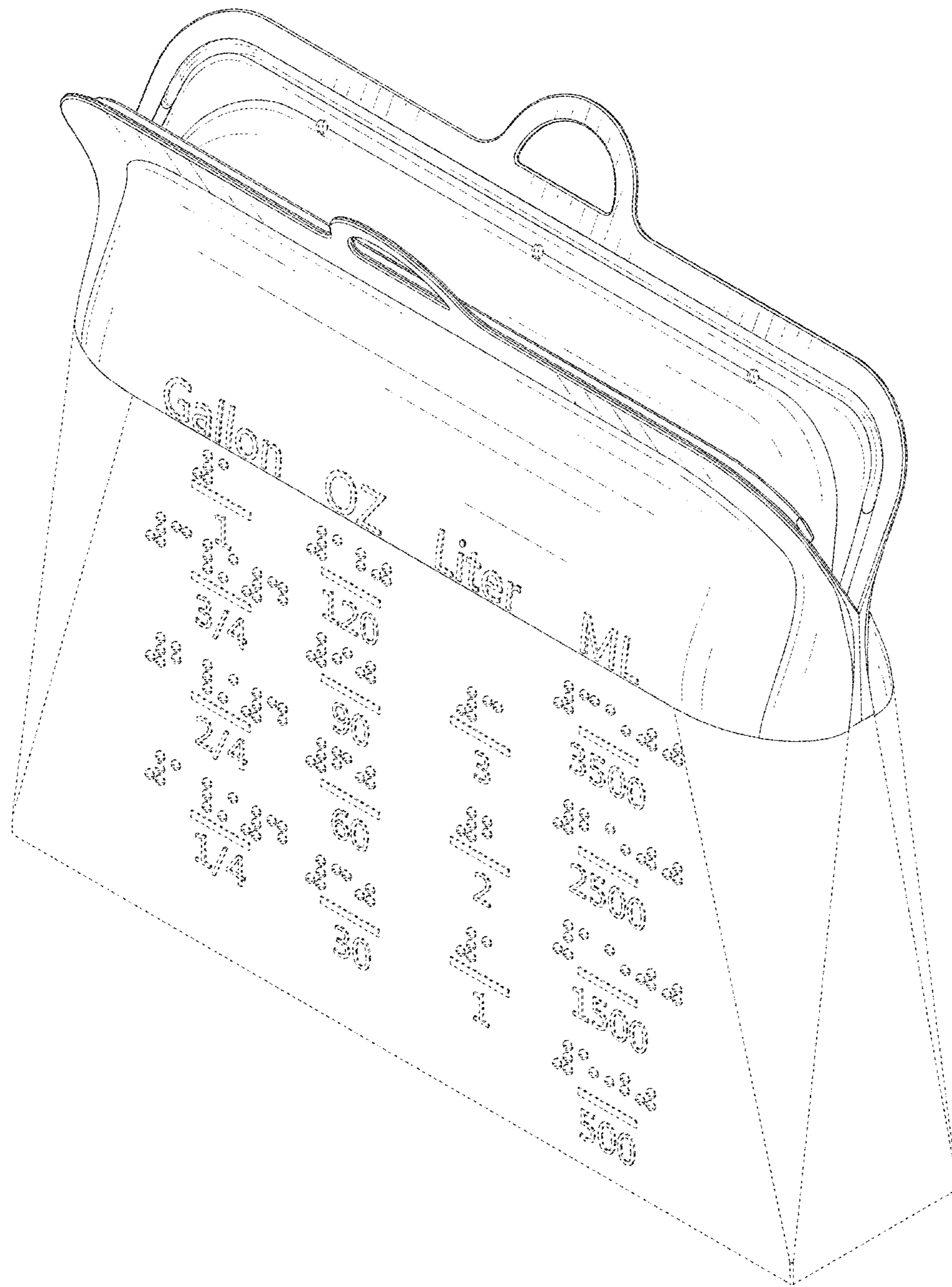


FIG. 1

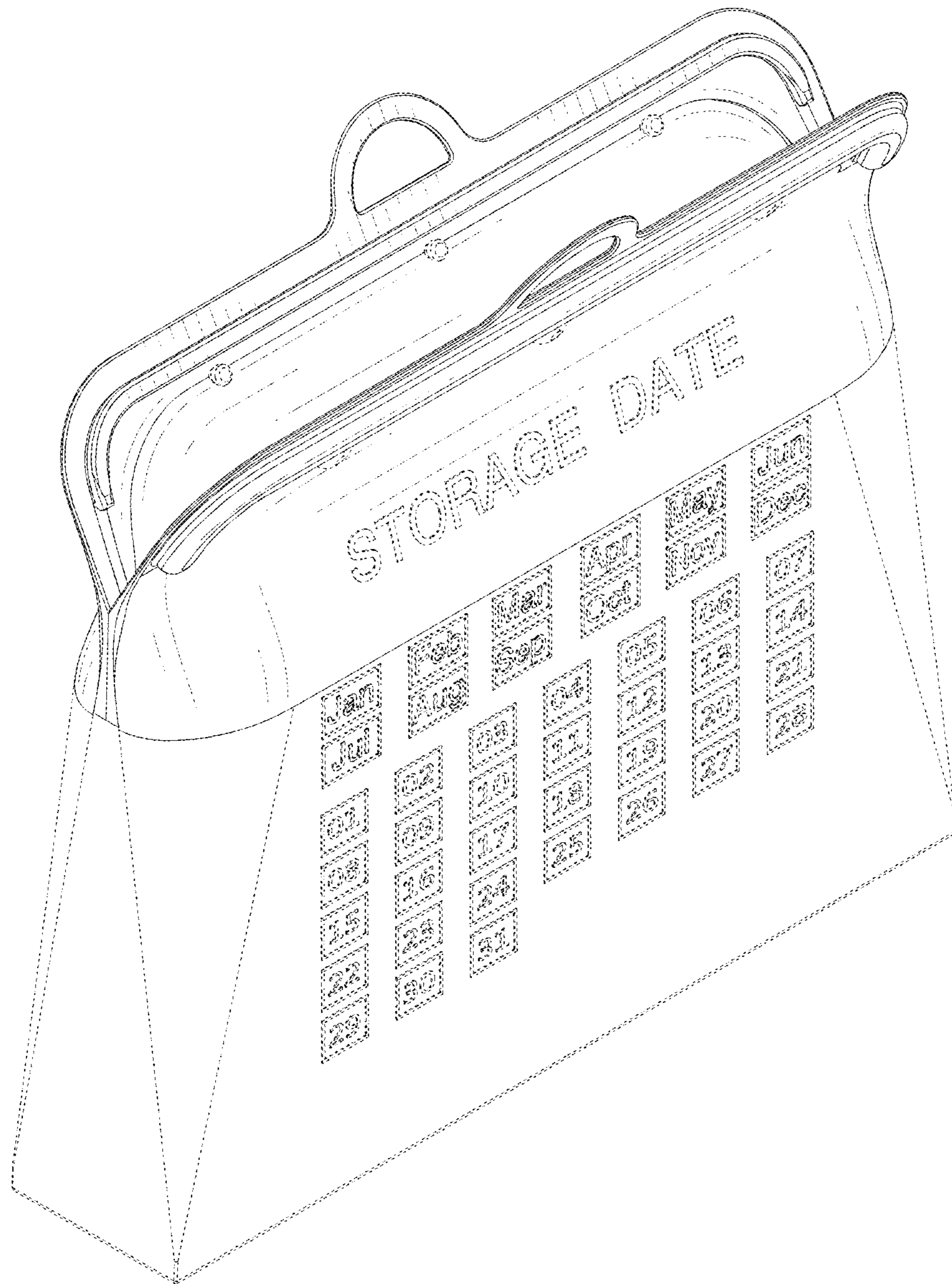


FIG. 2



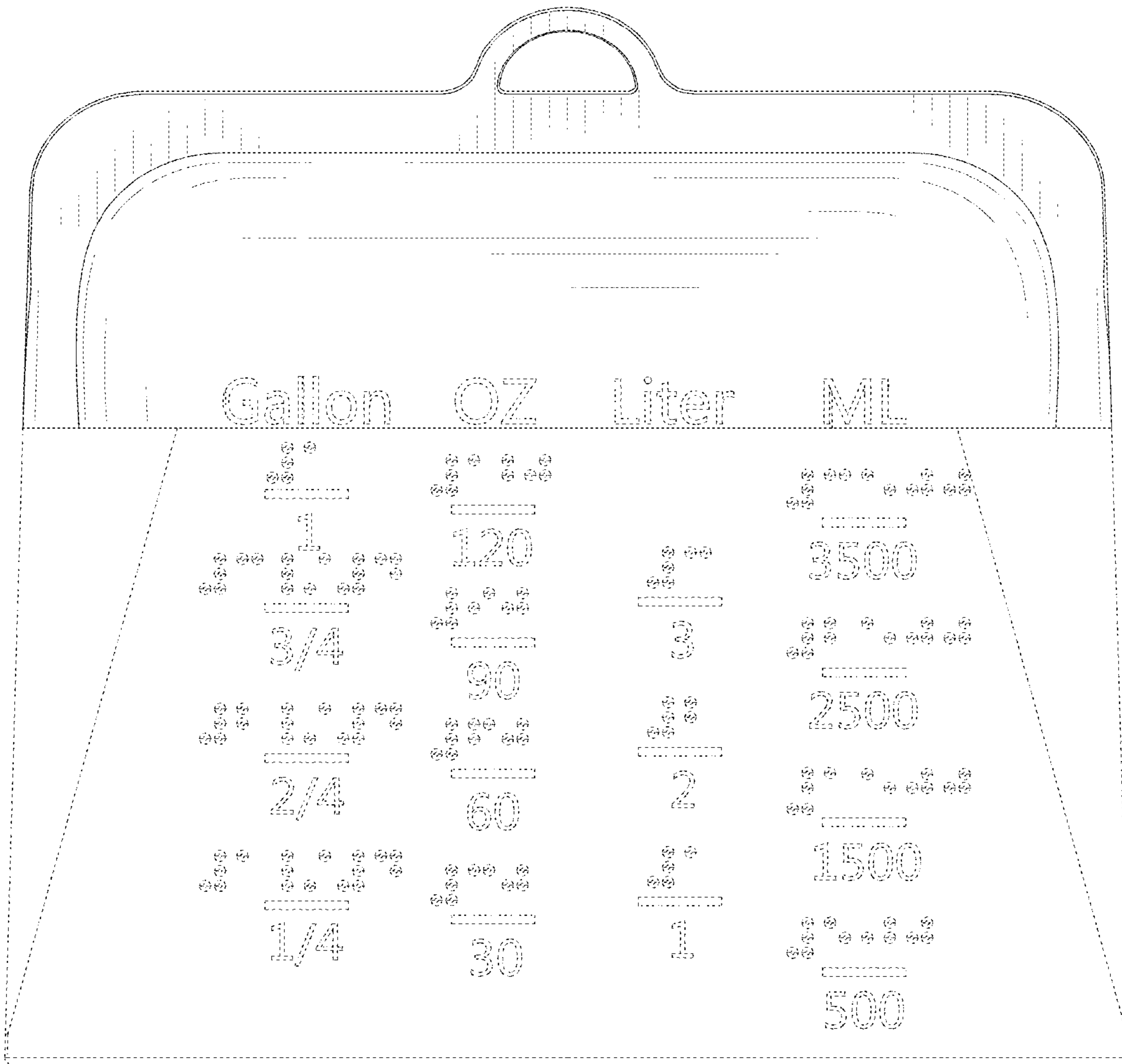


FIG. 3

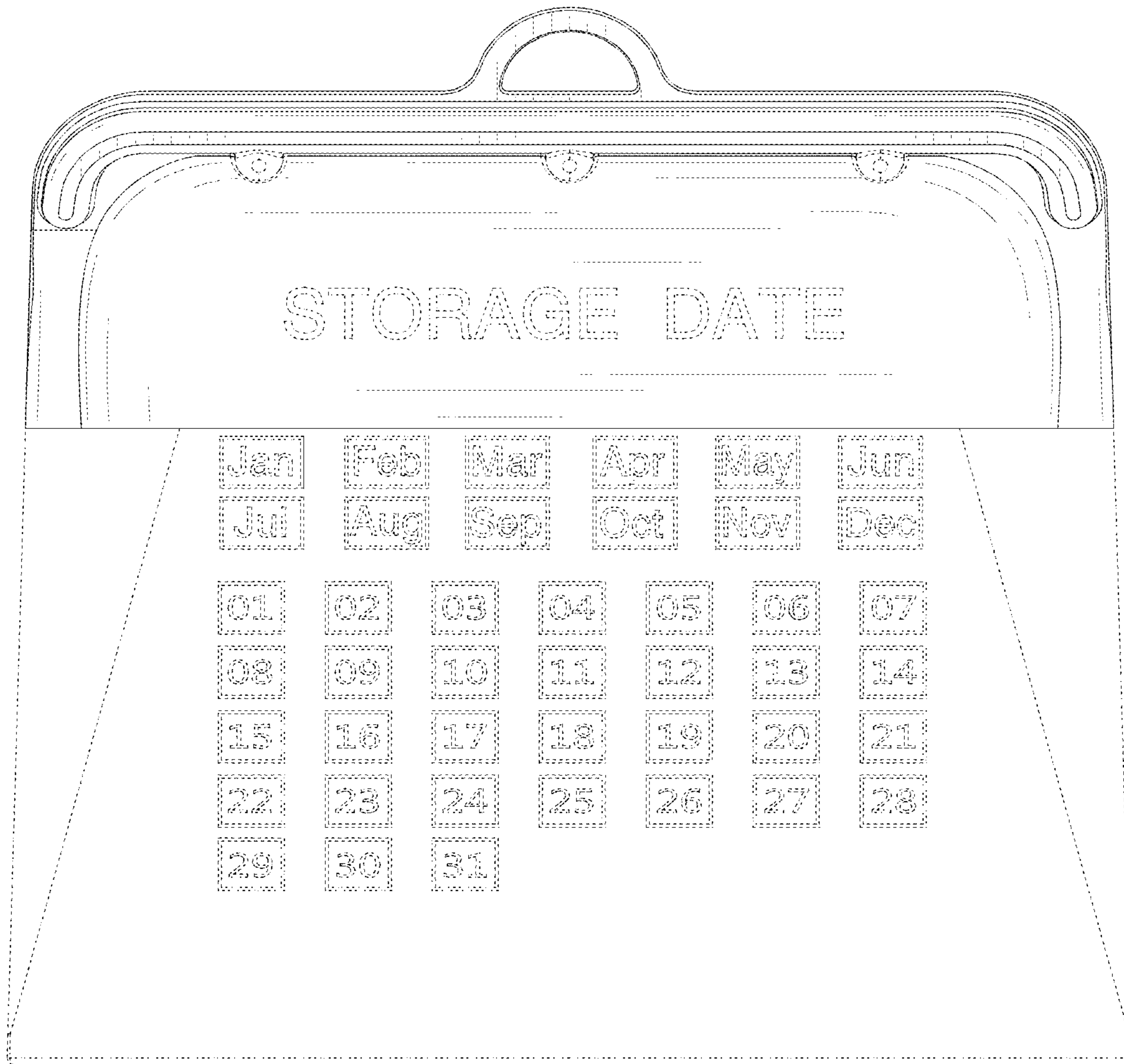


FIG. 4

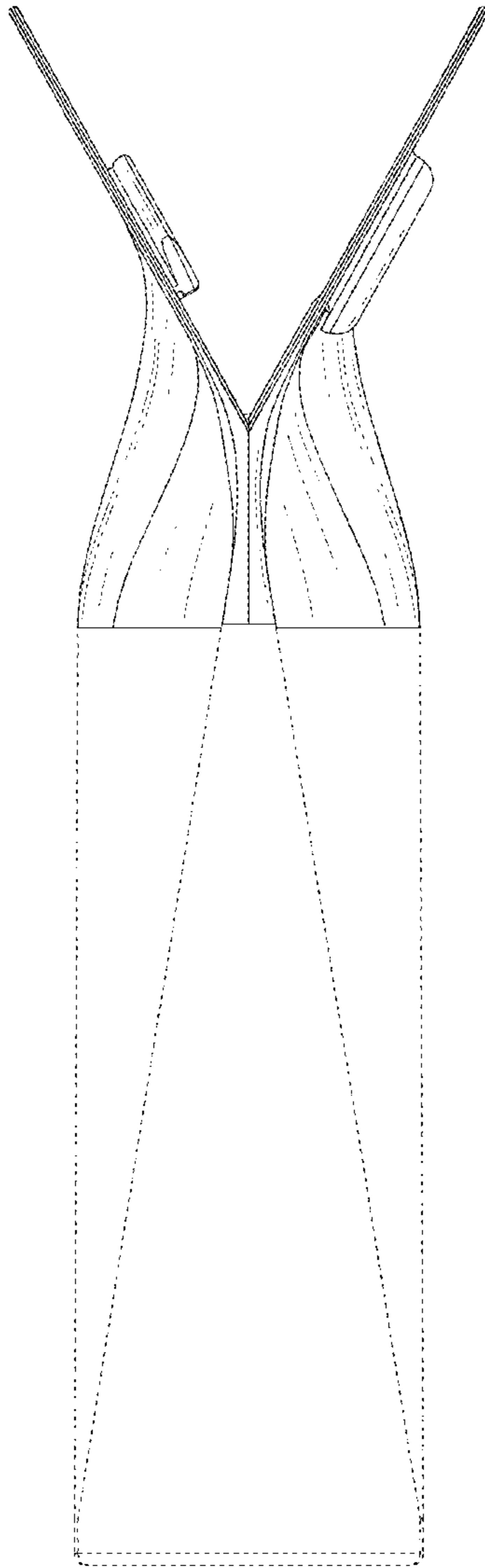


FIG. 5

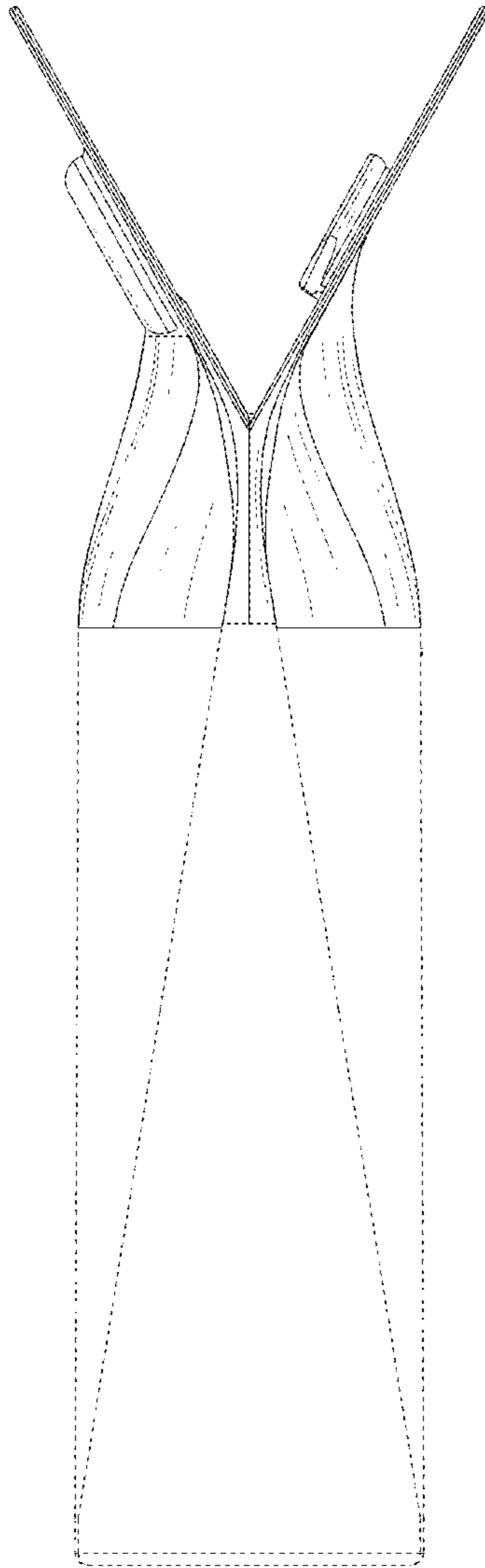


FIG. 6

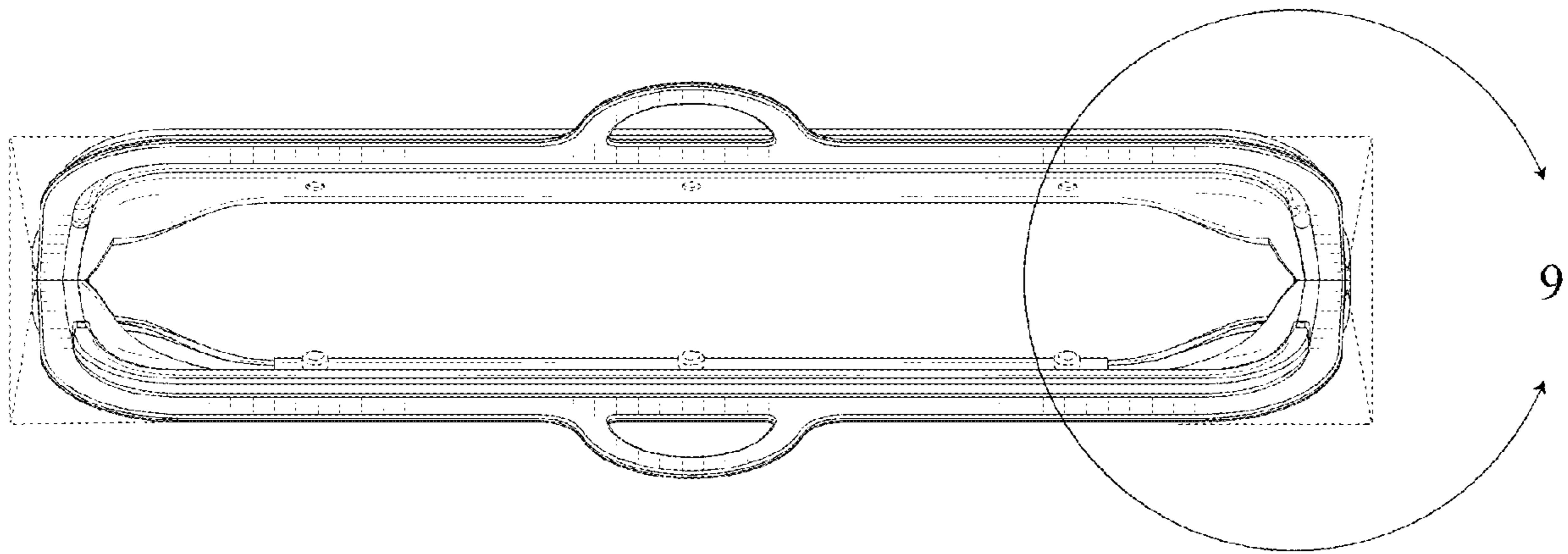


FIG. 7



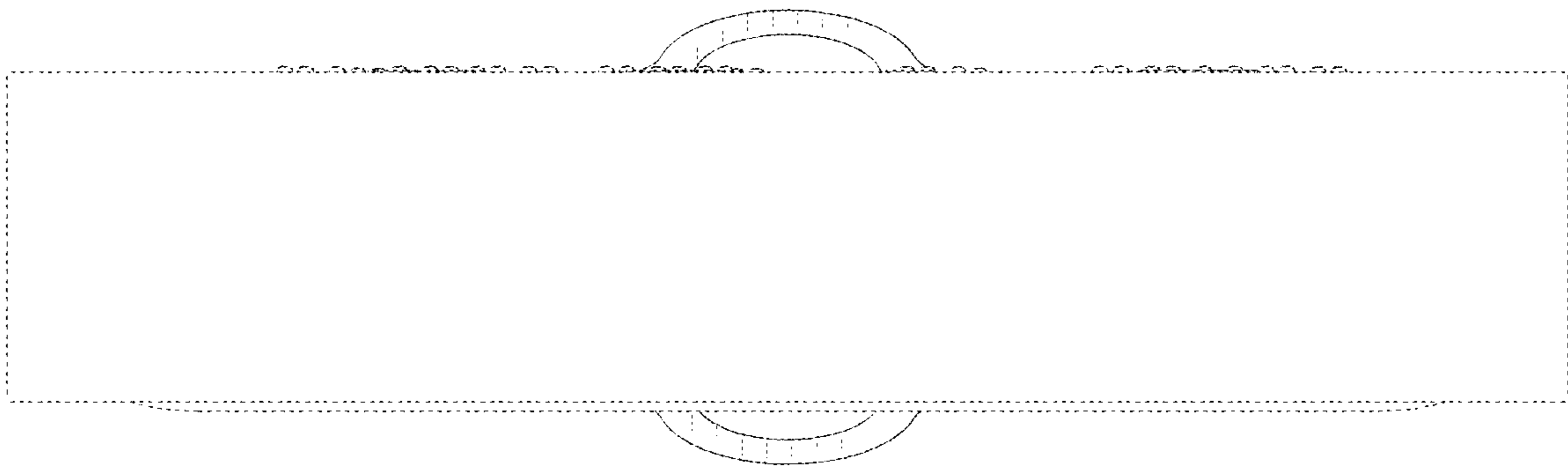


FIG. 8

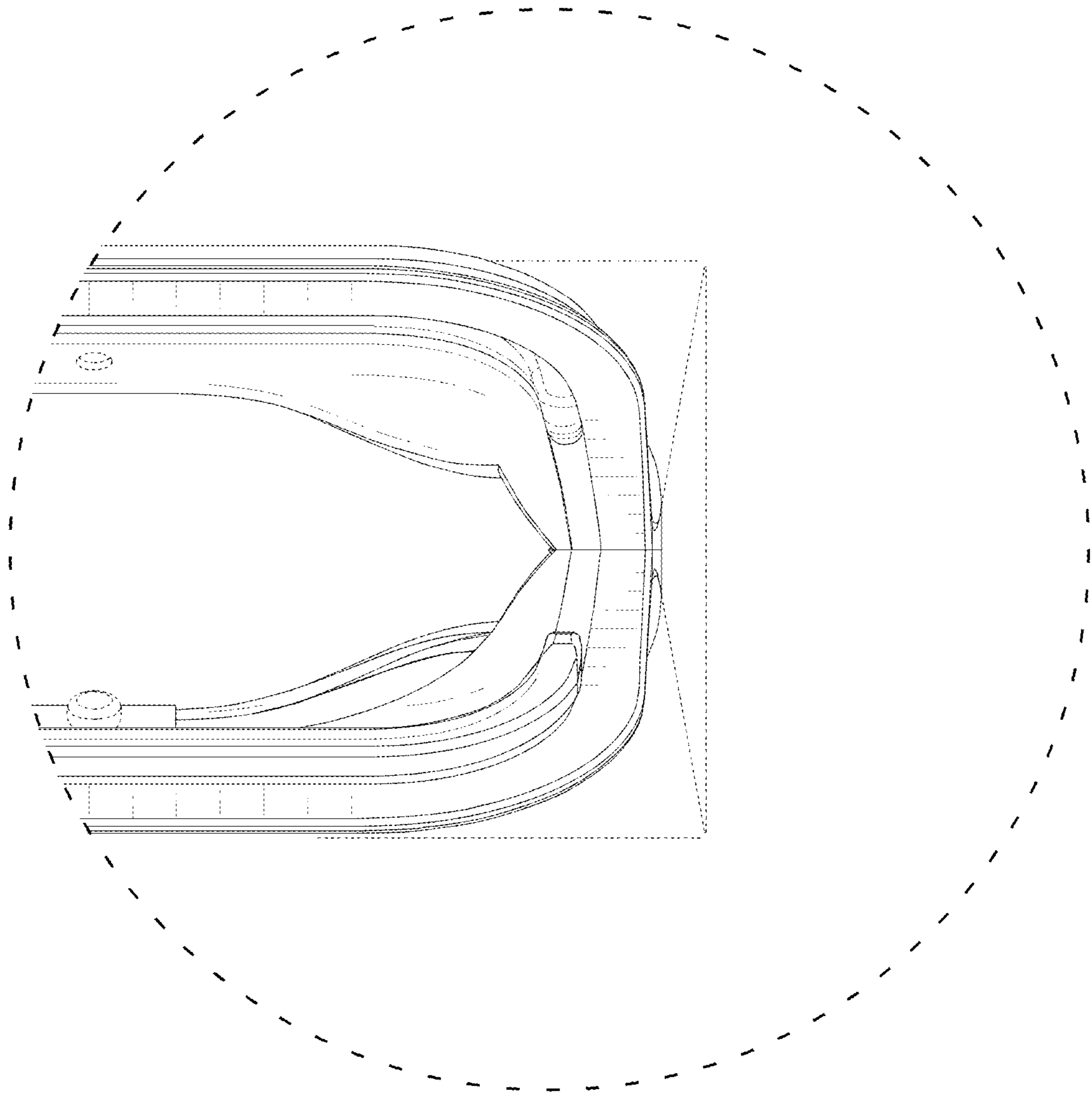


FIG. 9