



US00D885929S

(12) **United States Design Patent** (10) **Patent No.:** **US D885,929 S**
Standlee (45) **Date of Patent:** **** Jun. 2, 2020**

(54) **HAY AND STRAW COMPRESSED BALE PRODUCT PACKAGING**

(71) Applicant: **STANDLEE HAY COMPANY,**
Kimberly, ID (US)

(72) Inventor: **Michael G. Standlee,** Eden, ID (US)

(73) Assignee: **Standlee Hay Company,** Kimberly, ID (US)

(**) Term: **15 Years**

(21) Appl. No.: **29/614,485**

(22) Filed: **Aug. 18, 2017**

(51) **LOC (12) Cl.** **09-05**

(52) **U.S. Cl.**
USPC **D9/704**

(58) **Field of Classification Search**
USPC D9/414, 418, 424, 499, 907, 720, 715,
D9/702, 703, 704
CPC B65D 31/00; B65D 75/5838; A45C 3/00
See application file for complete search history.

(56) **References Cited**

U.S. PATENT DOCUMENTS

3,719,318	A *	3/1973	Moran	B65D 31/00
					383/91
D273,941	S *	5/1984	Farber	D3/243
D326,222	S *	5/1992	McAtarian	D9/707
5,282,687	A *	2/1994	Yee	B65D 75/5833
					383/25
D437,483	S *	2/2001	Bisbal	D3/276
6,328,158	B1 *	12/2001	Bisbal	A45C 3/00
					206/223
D555,471	S *	11/2007	Lebras	D9/418
D613,182	S *	4/2010	Fell	D9/713
D641,254	S *	7/2011	Sela	D9/704
D684,457	S *	6/2013	Salow	D9/415
D685,650	S *	7/2013	Pipes	D27/189

D692,754	S *	11/2013	Akana	D9/431
D717,645	S *	11/2014	Wilmers	D9/432
D723,935	S *	3/2015	Short	D9/704
D747,189	S *	1/2016	Sanfilippo	D9/432
D752,988	S *	4/2016	Brown	D9/631
D764,942	S *	8/2016	Bacchini	D9/706
D778,153	S *	2/2017	Haidlmair	D9/432
D789,214	S *	6/2017	Belt	D9/704
D809,929	S *	2/2018	Kagawa	D9/711
D809,930	S *	2/2018	Kagawa	D9/711
D832,695	S *	11/2018	Barczak	D9/416
D833,068	S *	11/2018	Sunder	D28/8.1
D863,949	S *	10/2019	Purkey	D9/416
D863,978	S *	10/2019	van den Hurk	D9/707
D864,714	S *	10/2019	Akrapovic	D9/433
D864,721	S *	10/2019	Menzel, Jr.	D9/456

(Continued)

Primary Examiner — Mark A Goodwin

(74) *Attorney, Agent, or Firm* — Richard D. Clarke

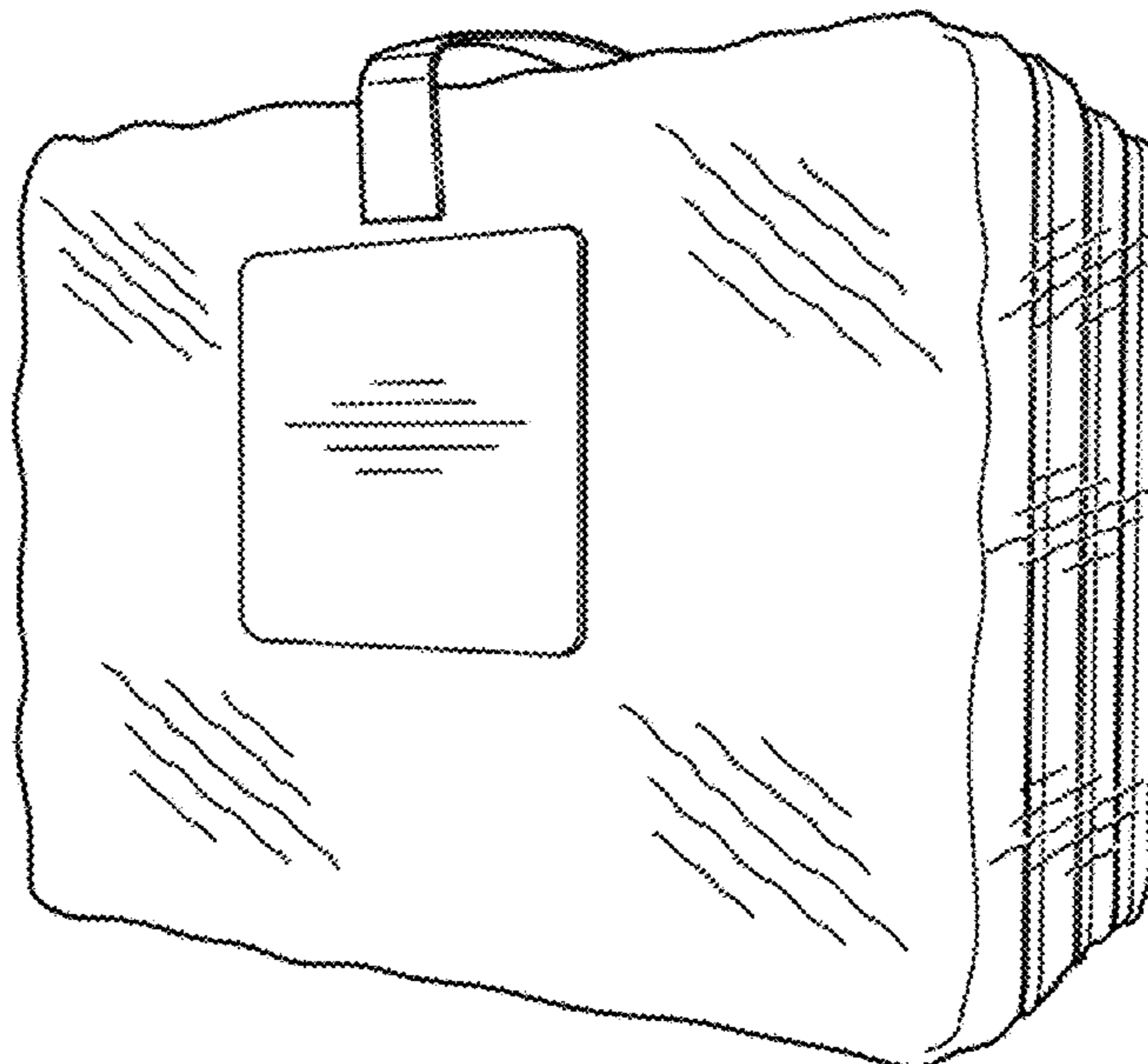
(57) **CLAIM**

I claim the ornamental design for a hay and straw compressed bale product packaging, as shown and described.

DESCRIPTION

FIG. 1 is a front and right side per perspective view of the hay and straw compressed bale product packaging;
FIG. 2 is a top plan view of the hay and straw compressed bale product packaging;
FIG. 3 is a front view of the hay and straw compressed bale product packaging;
FIG. 4 is a right side devotional view of the ha and straw compressed bale product packaging;
FIG. 5 is a rear view of the hay and straw compressed bale product packaging;
FIG. 6 is a left side elevational view of the hay and straw compressed bale product packaging; and,
FIG. 7 is a bottom view of the hay and straw compressed bale product packaging.

1 Claim, 2 Drawing Sheets



(56)

References Cited

U.S. PATENT DOCUMENTS

D864,753 S * 10/2019 Exner D9/705
2004/0159658 A1 * 8/2004 McLaughlin B65B 27/125
220/4.21

* cited by examiner

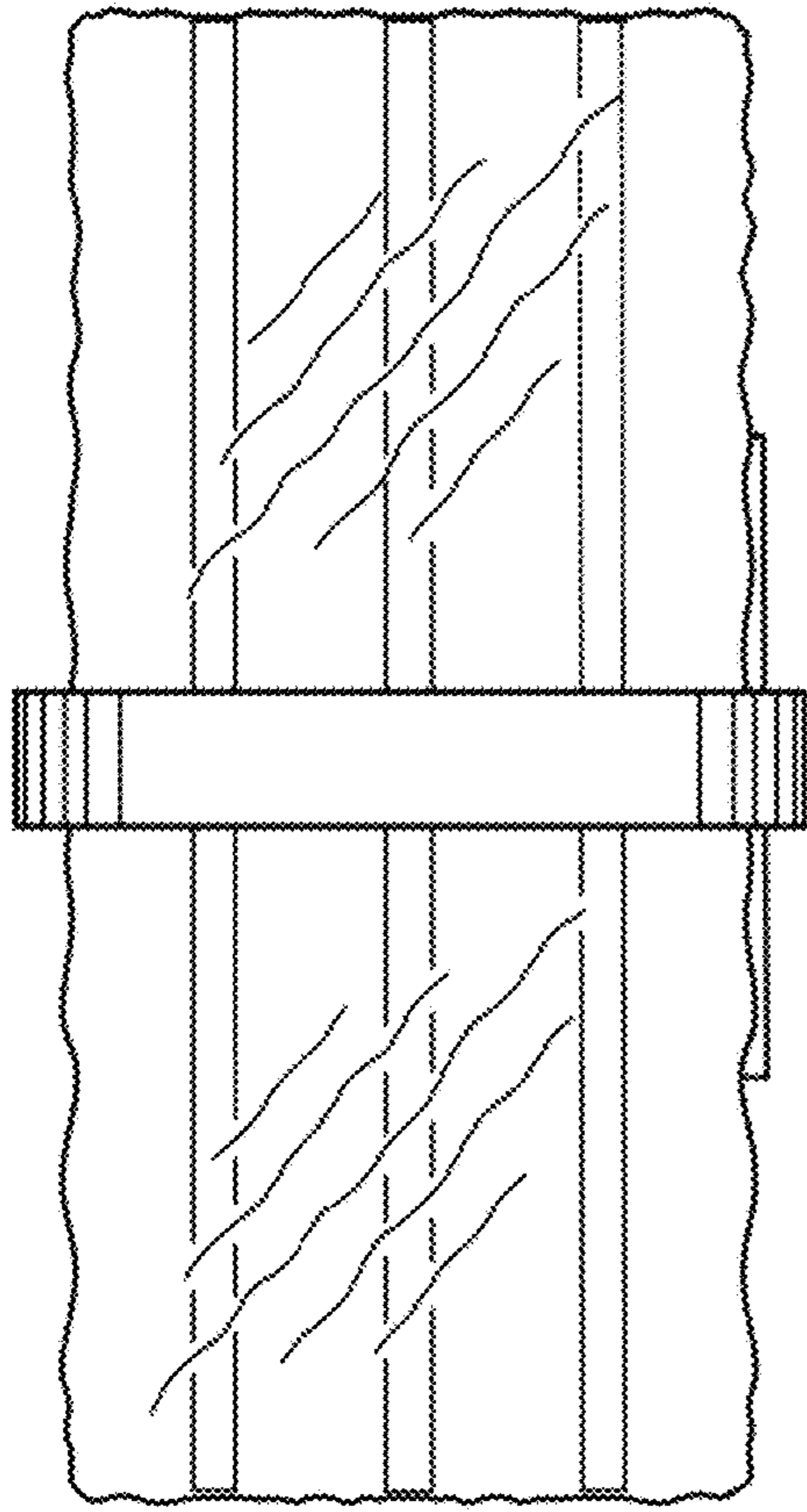


FIG. 2

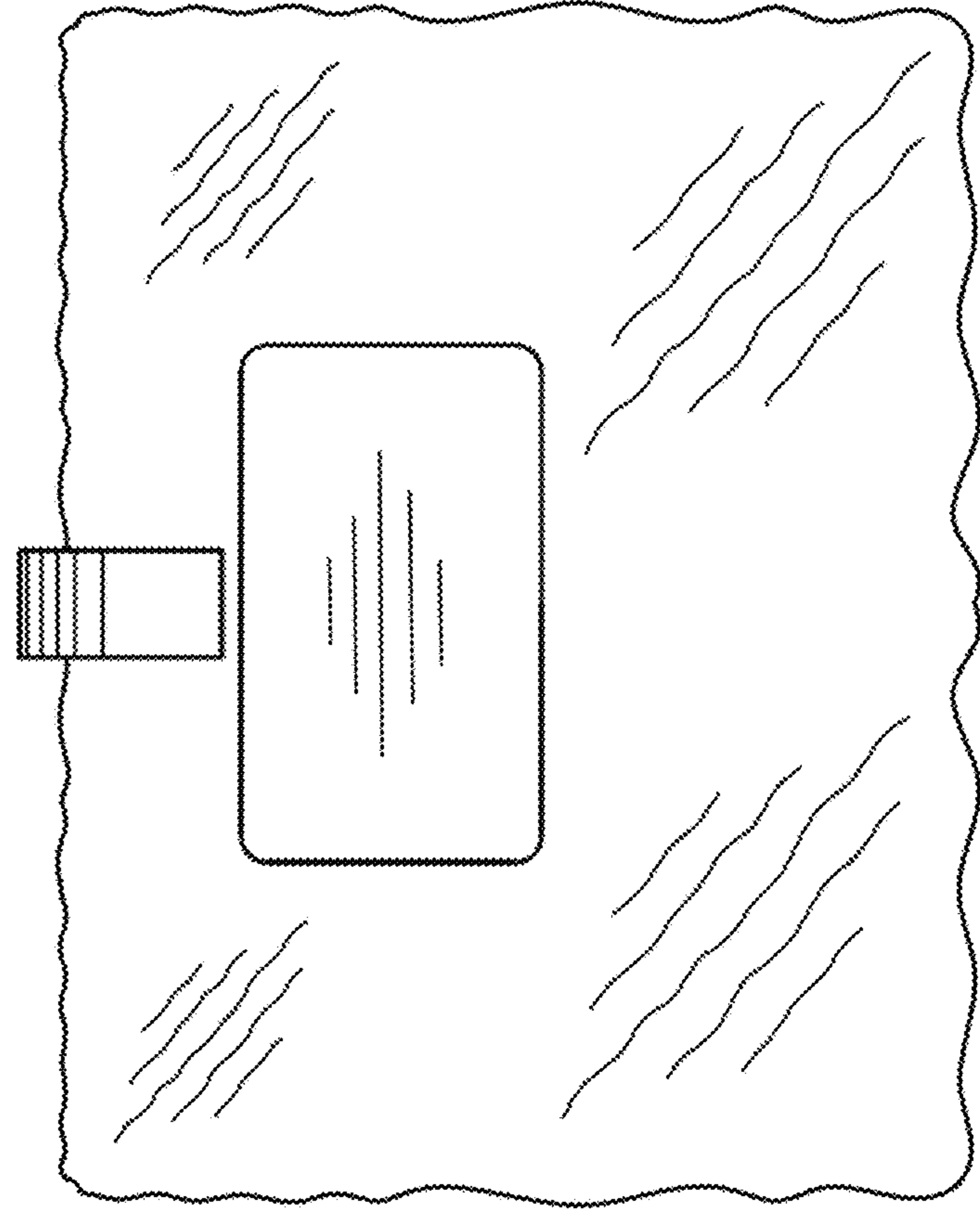


FIG. 3

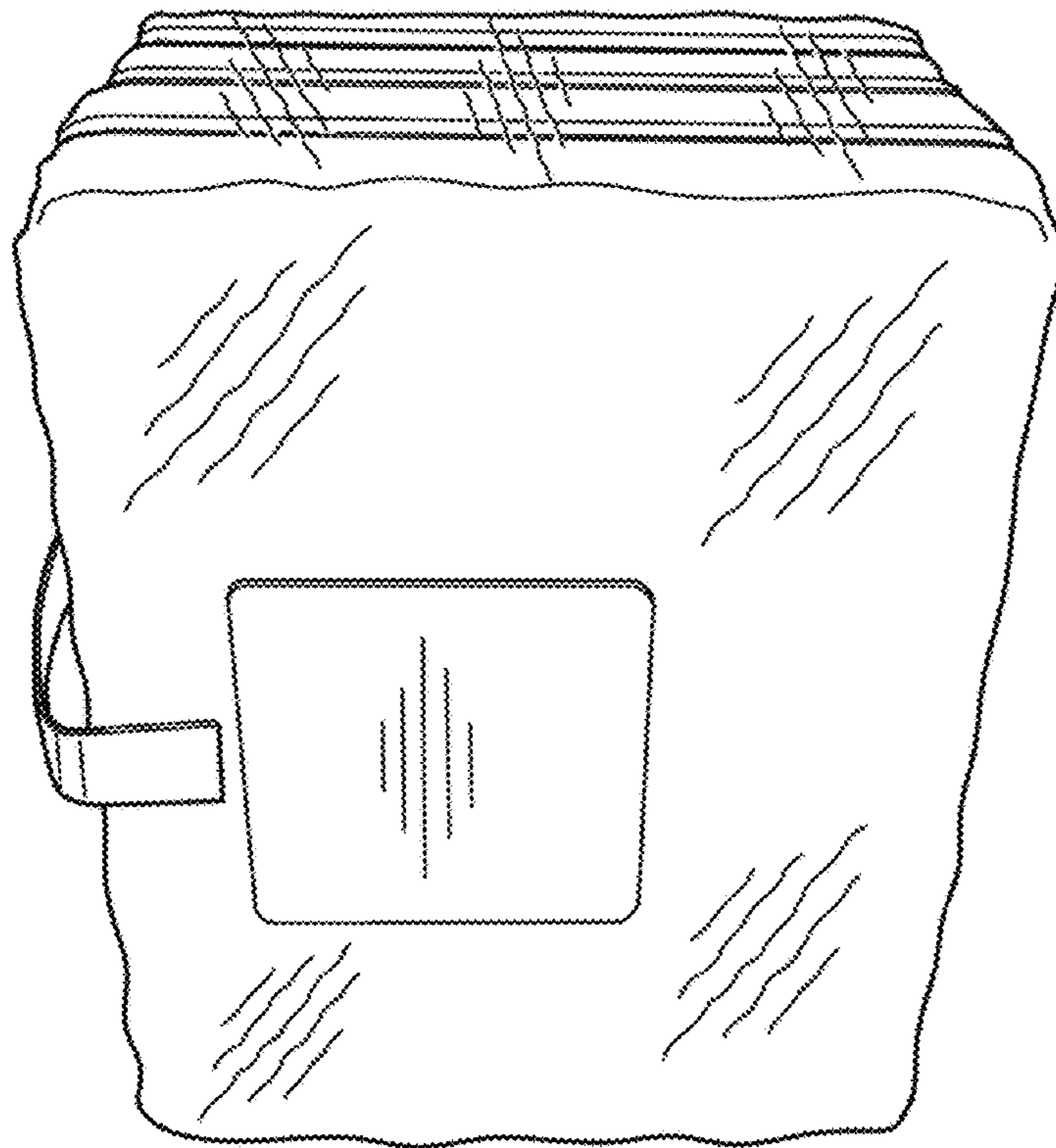


FIG. 1

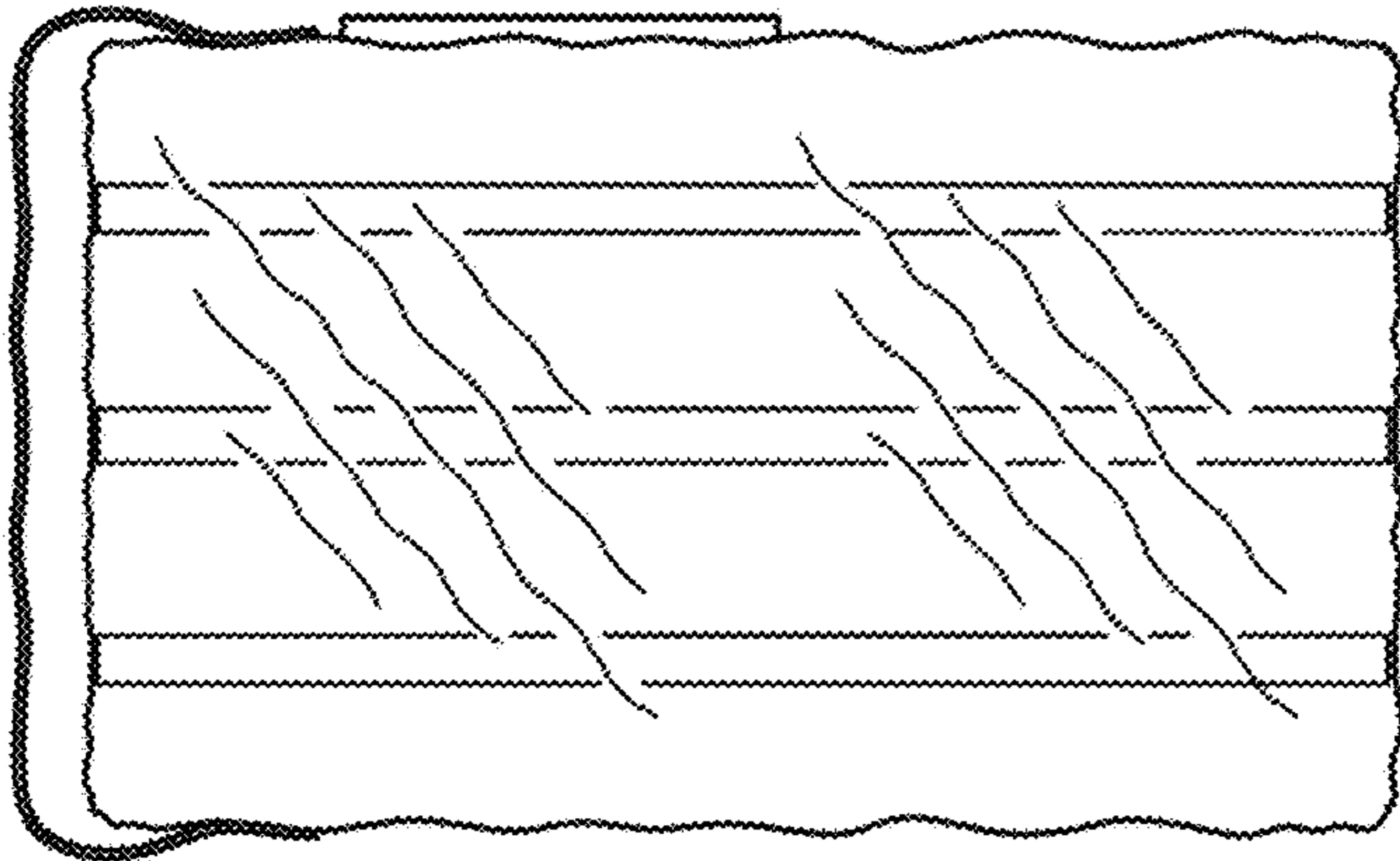


FIG. 4

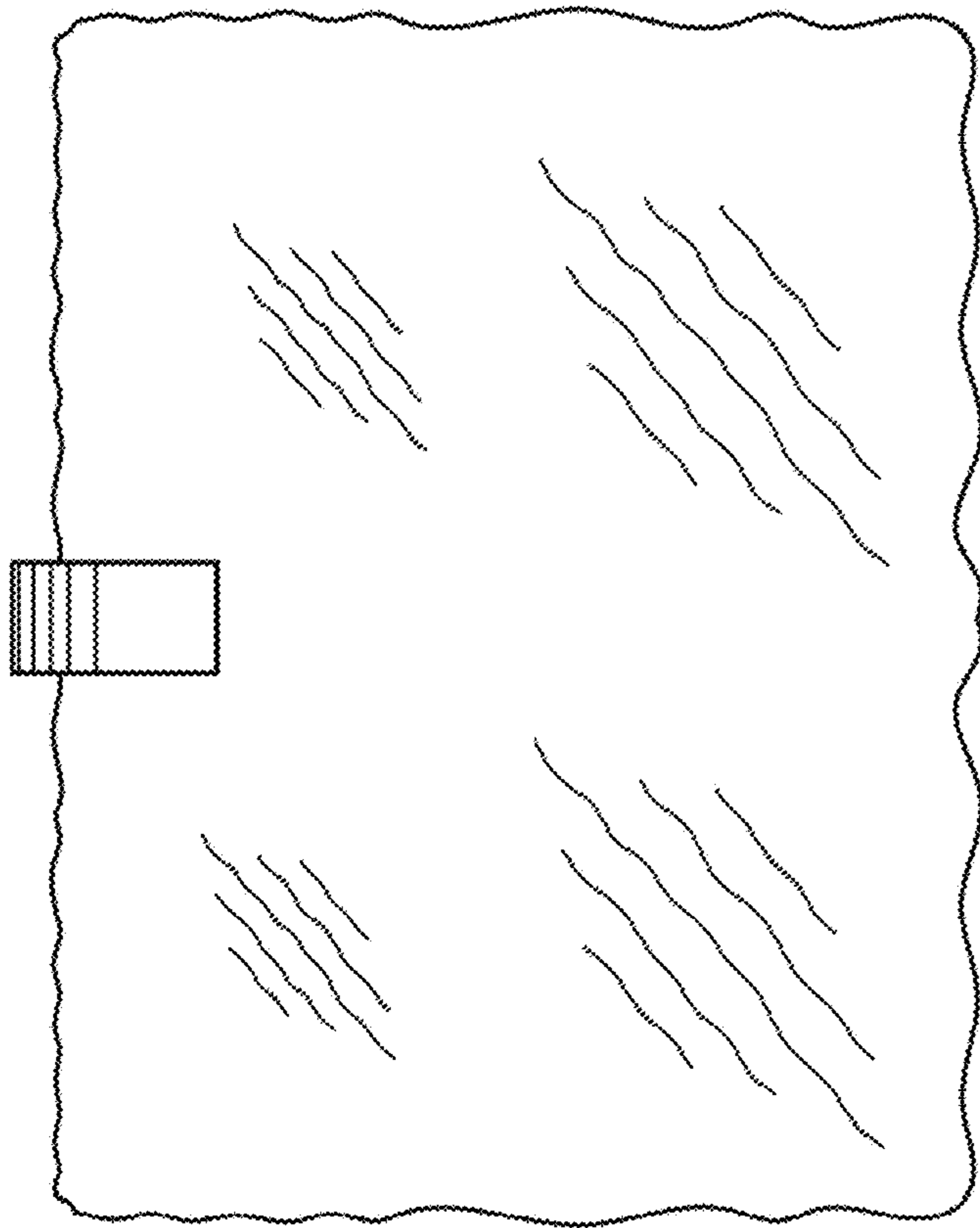


FIG. 5

FIG. 6

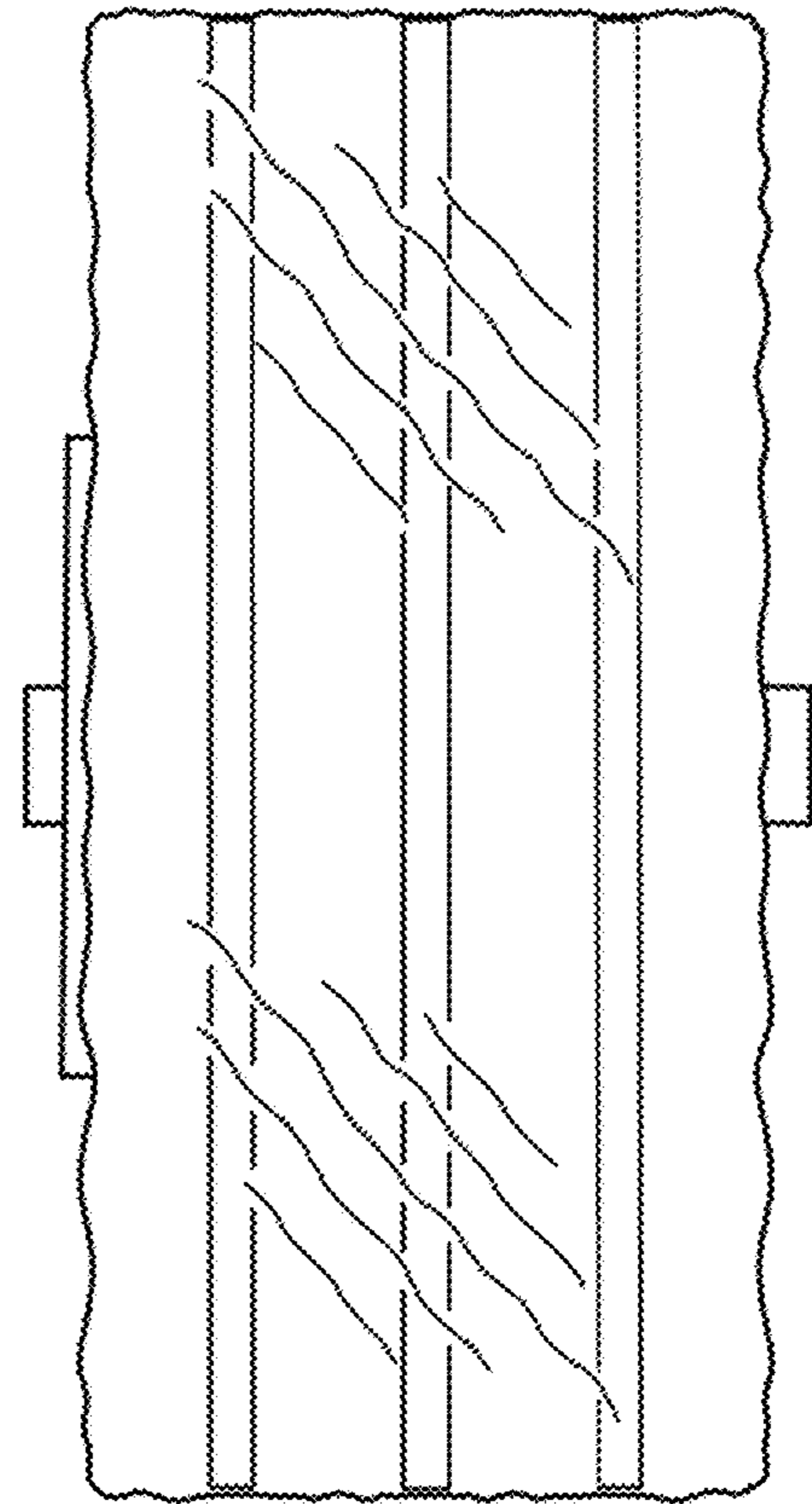


FIG. 7