



US00D885925S

(12) **United States Design Patent**  
**Lewis**

(10) **Patent No.:** **US D885,925 S**

(45) **Date of Patent:** **\*\* \*Jun. 2, 2020**

(54) **BEVERAGE CONTAINER**

(71) Applicant: **Randolph Tyler Stone**, Charleston, SC  
(US)

(72) Inventor: **Turner Lewis**, Richmond, VA (US)

(\*) Notice: This patent is subject to a terminal disclaimer.

(\*\*) Term: **15 Years**

(21) Appl. No.: **29/670,343**

(22) Filed: **Nov. 15, 2018**

**Related U.S. Application Data**

(63) Continuation-in-part of application No. 29/568,440, filed on Jun. 17, 2016, now Pat. No. Des. 839,747.

(51) **LOC (12) Cl.** ..... **09-01**

(52) **U.S. Cl.**  
USPC ..... **D9/560**; D9/531; D9/575

(58) **Field of Classification Search**  
USPC ..... D9/414, 421, 518, 520, 524, 529, 560,  
D9/563, 572, 575, 715, 741, 763, 779,  
D9/780

CPC ..... B65D 2543/00194; B65D 2543/00805;  
B65D 2543/00694; B65D 43/163; B65D  
83/06

See application file for complete search history.

(56) **References Cited**

**U.S. PATENT DOCUMENTS**

D551,969 S \* 10/2007 Aurilio ..... D9/418  
D690,586 S \* 10/2013 Taylor ..... D9/421

D711,237 S \* 8/2014 Fleischhacker ..... D9/526  
D731,302 S \* 6/2015 Lutgen ..... D9/418  
D732,240 S \* 6/2015 Brown ..... D28/76  
D750,960 S \* 3/2016 Murray ..... D9/432  
D752,827 S \* 3/2016 Colayco ..... D32/1  
D754,263 S \* 4/2016 Wolff ..... D21/499  
D756,628 S \* 5/2016 Lande ..... D3/203.2  
D761,008 S \* 7/2016 Lande ..... D3/203.2  
D762,759 S \* 8/2016 Wu ..... D16/218  
D776,727 S \* 1/2017 Wolf ..... D15/122  
D786,062 S \* 5/2017 Ogdon ..... D9/432  
D826,296 S \* 8/2018 Noorazar ..... D15/122  
D826,712 S \* 8/2018 Servaire ..... D9/432  
D827,726 S \* 9/2018 McLachlan ..... D21/468  
D827,727 S \* 9/2018 McLachlan ..... D21/468  
D833,866 S \* 11/2018 Lihotzky ..... D9/432

\* cited by examiner

*Primary Examiner* — Shannon W Morgan

*Assistant Examiner* — Keith Frank

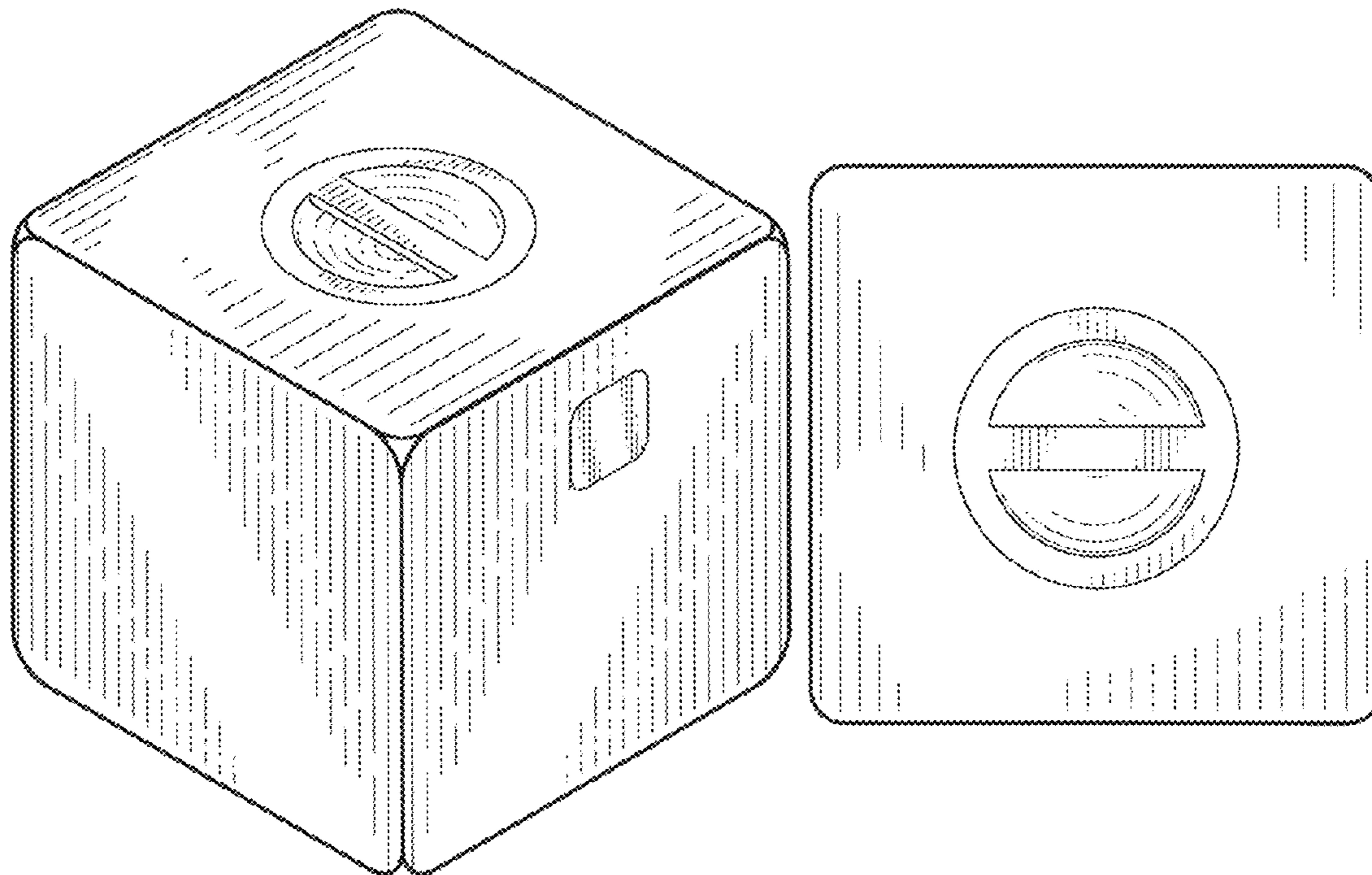
(57) **CLAIM**

The ornamental design for a beverage container, as shown.

**DESCRIPTION**

FIG. 1 is a perspective view of the beverage container according to an embodiment of the invention; FIG. 2 is a top plan view of the beverage container according to the embodiment of the invention; FIG. 3 is a front elevation view of the beverage container according to the embodiment of the invention; and, FIG. 4 is a side elevation view of the beverage container according to the embodiment of the invention.

**1 Claim, 3 Drawing Sheets**



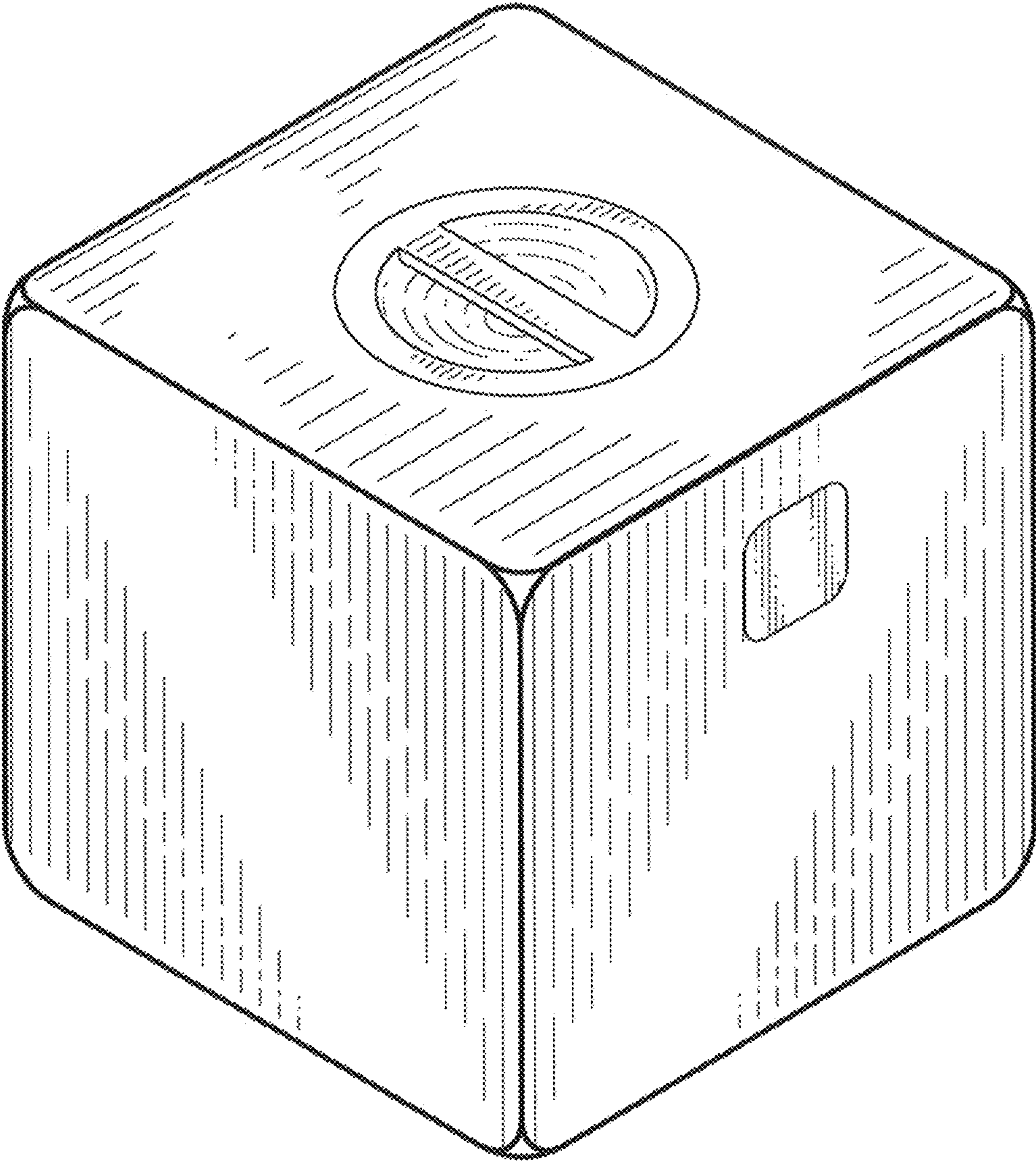


FIG. 1

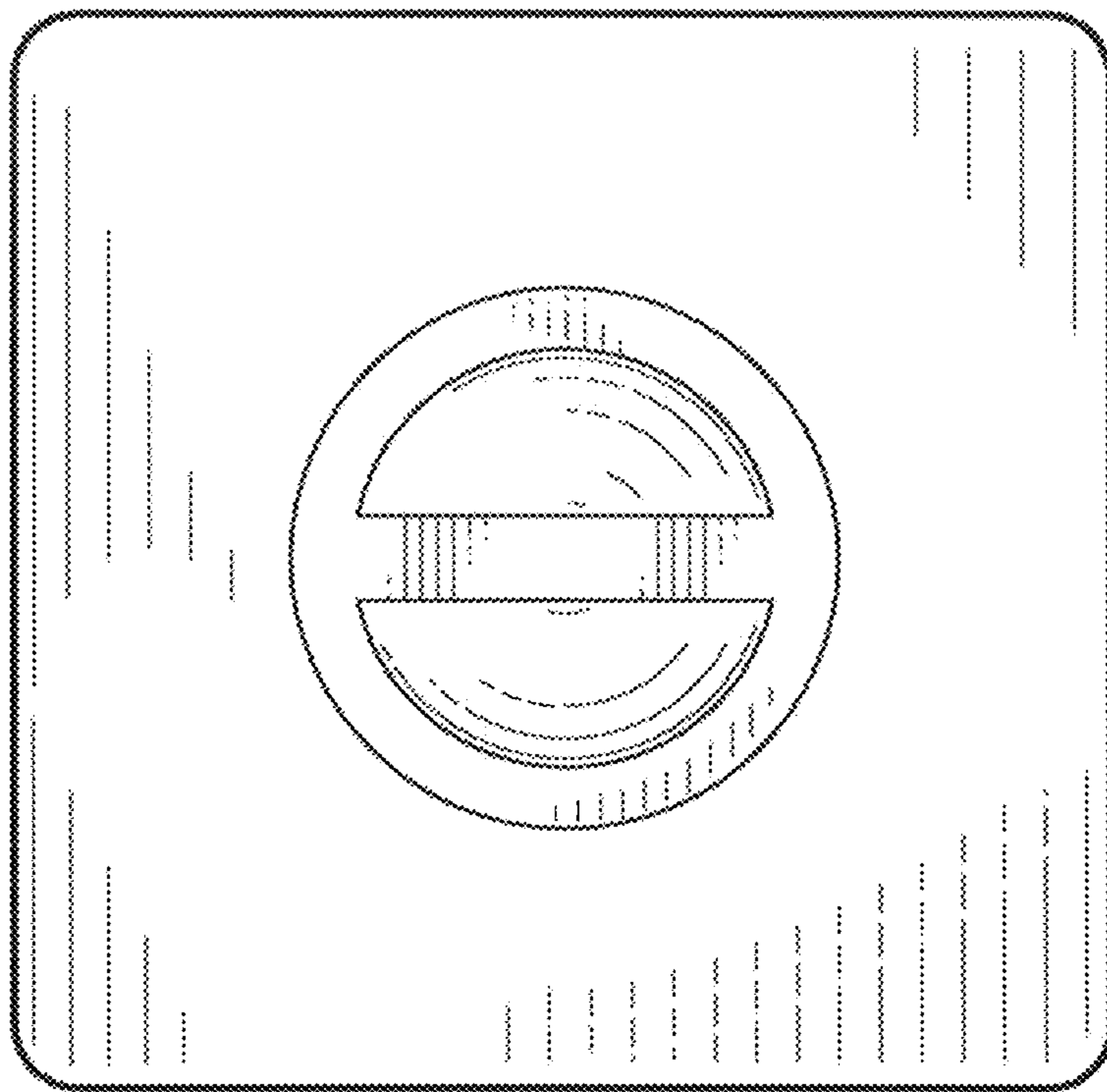


FIG. 2



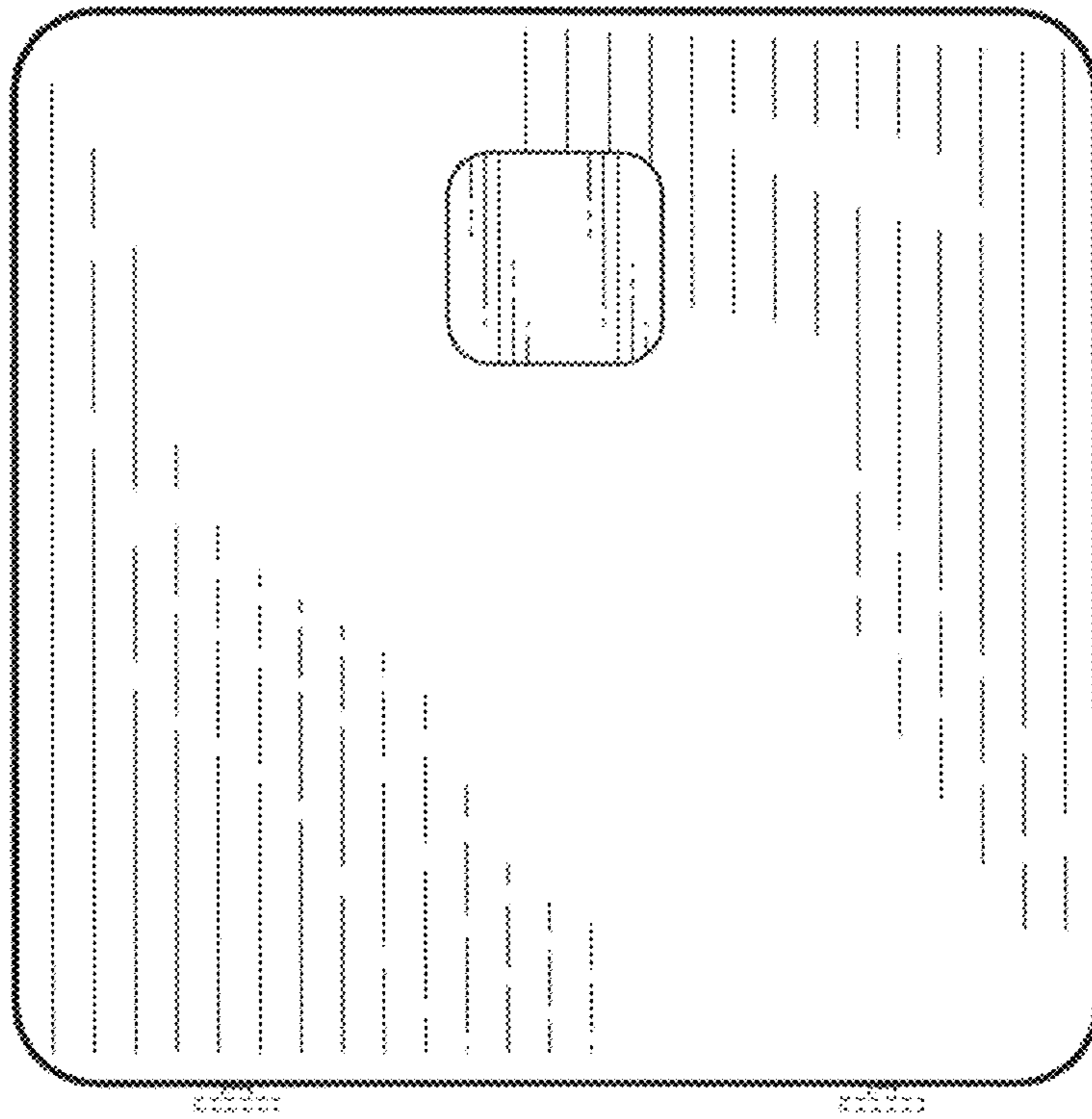


FIG. 3

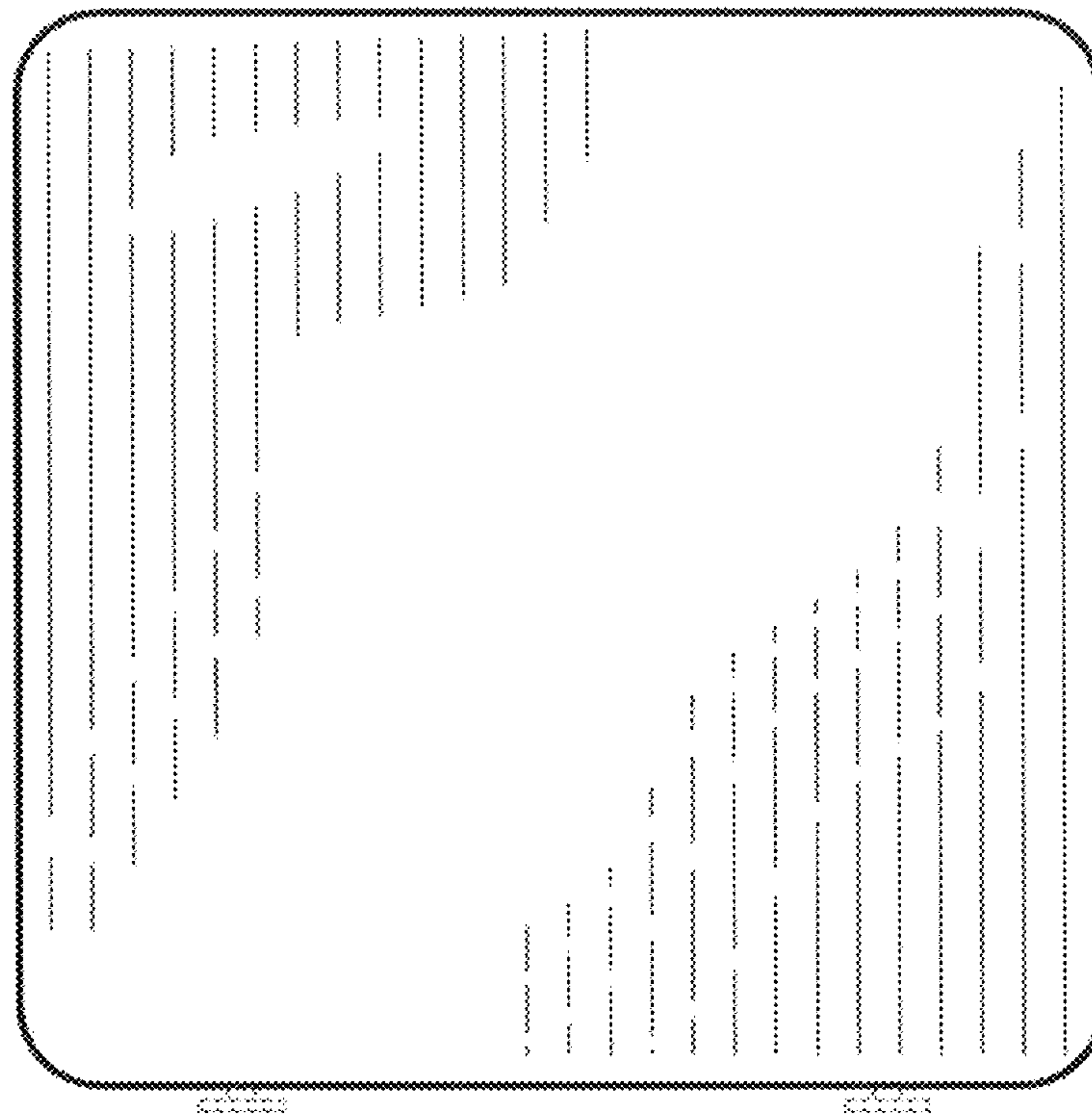


FIG. 4