



US00D885919S

(12) **United States Design Patent**
Beardsall

(10) **Patent No.:** **US D885,919 S**

(45) **Date of Patent:** **** Jun. 2, 2020**

(54) **CONTAINER**

D334,710 S * 4/1993 Picozza D9/435
D464,886 S * 10/2002 Bried D9/504
D494,474 S * 8/2004 Houk D27/190

(Continued)

(71) Applicant: **Swedish Match North Europe AB,**
Stockholm (SE)

(72) Inventor: **Philip Beardsall,** Örkelljunga (SE)

Primary Examiner — Dana Meyrow

(73) Assignee: **Swedish Match North Europe AB,**
Stockholm (SE)

(74) *Attorney, Agent, or Firm* — Knobbe Martens Olson
& Bear LLP

(**) Term: **15 Years**

(21) Appl. No.: **29/603,730**

(22) Filed: **May 11, 2017**

(57) **CLAIM**

I claim the ornamental design for a container, as shown and described.

(30) **Foreign Application Priority Data**

Nov. 14, 2016 (EM) 003462167-0001
Nov. 14, 2016 (EM) 003462167-0002
Nov. 14, 2016 (EM) 003462167-0003

DESCRIPTION

(51) **LOC (12) Cl.** **09-01**

(52) **U.S. Cl.**
USPC **D9/503; D9/435; D9/439; D9/454;**
D9/741; D9/745

FIG. 1 is a top perspective view of a snuff container according to a first embodiment.

FIG. 2 is a bottom perspective view of the snuff container of FIG. 1 rotated 90 degrees.

FIG. 3 is an exploded top view of the snuff container of FIG. 1.

(58) **Field of Classification Search**
USPC D9/419, 424, 428, 434–435, 439, 454,
D9/500, 503–505, 516, 520, 529, 549,
D9/558, 575, 715, 737–738, 743, 745,
D9/772, 779–780; D3/203.2;
D7/629–630; D27/186–187, 189–190;
D28/91

FIG. 4 is a front view of the snuff of FIG. 1 rotated 45 degrees.

FIG. 5 is a rear view of the snuff container of FIG. 1 rotated 45 degrees.

FIG. 6 is a left view of the snuff container of FIG. 1 rotated 45 degrees.

FIG. 7 is a right view of the snuff container of FIG. 1 rotated 45 degrees.

CPC ... B65D 1/00; B65D 1/10; B65D 1/12; B65D
1/16; B65D 1/165; B65D 23/00; B65D
2251/0003; B65D 2251/0006; B65D
2251/0037; B65D 2251/0068; B65D
2501/00; B65D 2501/0009; A24F 23/00;
A24F 23/02; A24F 23/04

FIG. 8 is a top plan view of the snuff container of FIG. 1 rotated 45 degrees.

FIG. 9 is a bottom plan view of the snuff container of FIG. 1 rotated 45 degrees; and,

FIG. 10 is a cut-away view of the snuff container according to the first embodiment taken along the lines 10-10 in FIG. 8.

8.
The broken lines in the drawings illustrate the portions of the container that form no part of the claimed design.

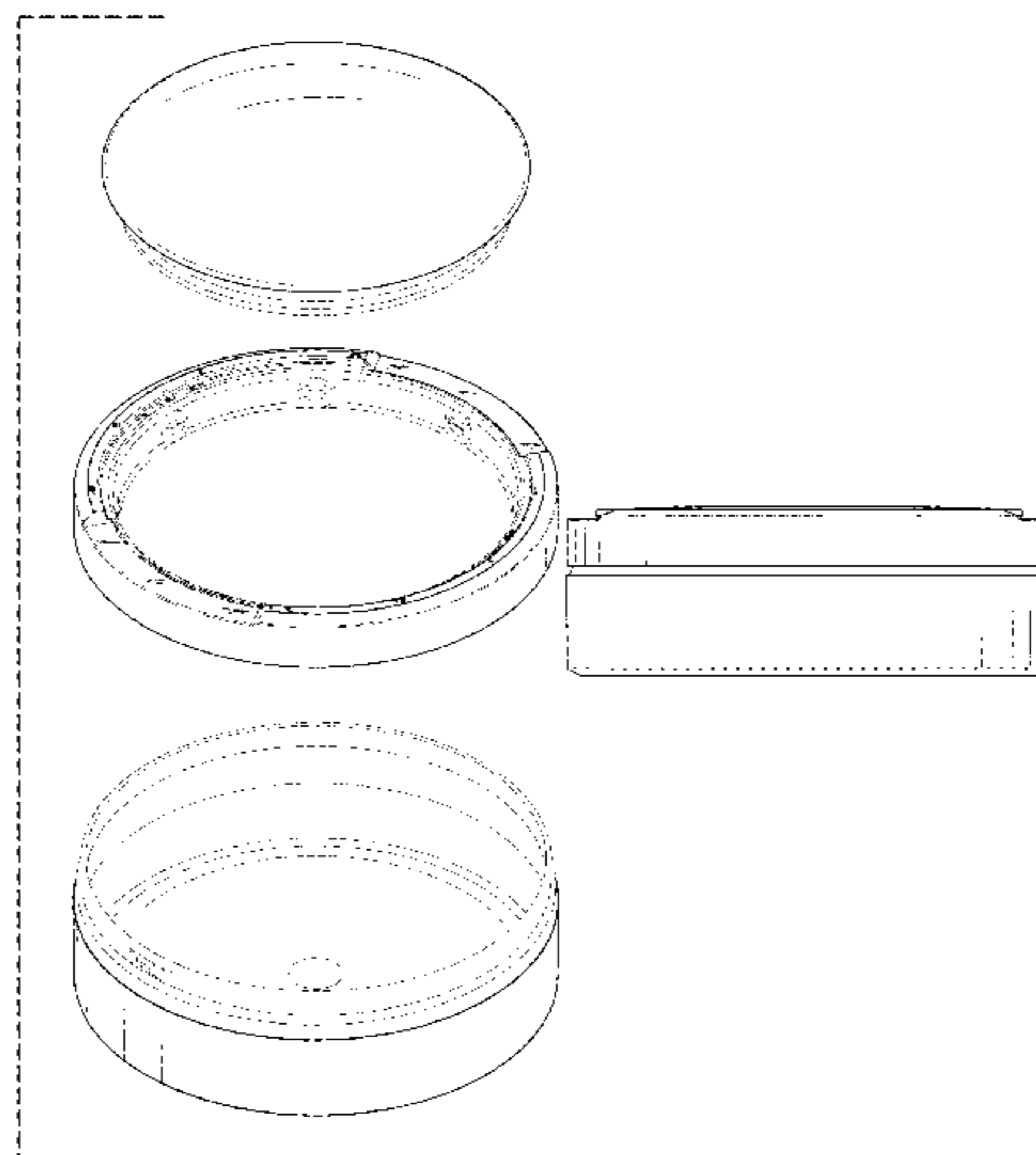
See application file for complete search history.

(56) **References Cited**

U.S. PATENT DOCUMENTS

D28,413 S * 3/1898 Taite D9/504
1,986,271 A * 1/1935 Keith A45D 40/0068
215/235

1 Claim, 5 Drawing Sheets



(56)

References Cited

U.S. PATENT DOCUMENTS

D512,636	S *	12/2005	Pace	D9/504
D544,167	S *	6/2007	Dukic, Jr.	D34/3
D599,953	S *	9/2009	Gibson	D27/190
D640,546	S *	6/2011	Berggren	D9/421
D644,941	S *	9/2011	Hermans	D9/772
D650,269	S *	12/2011	Berggren	D9/423
D651,519	S *	1/2012	Gibson	D9/428
D660,693	S *	5/2012	Berggren	D9/421
8,458,996	B2 *	6/2013	Bried	A24F 23/00
					53/471
D686,513	S *	7/2013	Henriksson	D9/428
D686,887	S *	7/2013	Meyers	D7/629
8,556,070	B2 *	10/2013	Bried	A24F 23/00
					206/242
D711,232	S *	8/2014	Henriksson	D9/451
D711,233	S *	8/2014	Henriksson	D9/451
D711,249	S *	8/2014	Henriksson	D9/504
D711,250	S *	8/2014	Henriksson	D9/504
D719,828	S *	12/2014	Henriksson	D9/451
9,265,287	B2 *	2/2016	Sims	A24F 23/00
D756,790	S *	5/2016	Henriksson	D9/504
D773,302	S *	12/2016	Henriksson	D9/451
D795,705	S *	8/2017	Huang	D9/738
9,795,165	B2 *	10/2017	Bried	A24F 23/00
10,112,743	B2 *	10/2018	Beardsall	B65D 43/0212
2010/0307113	A1 *	12/2010	Bried	A24F 23/00
					53/400

* cited by examiner

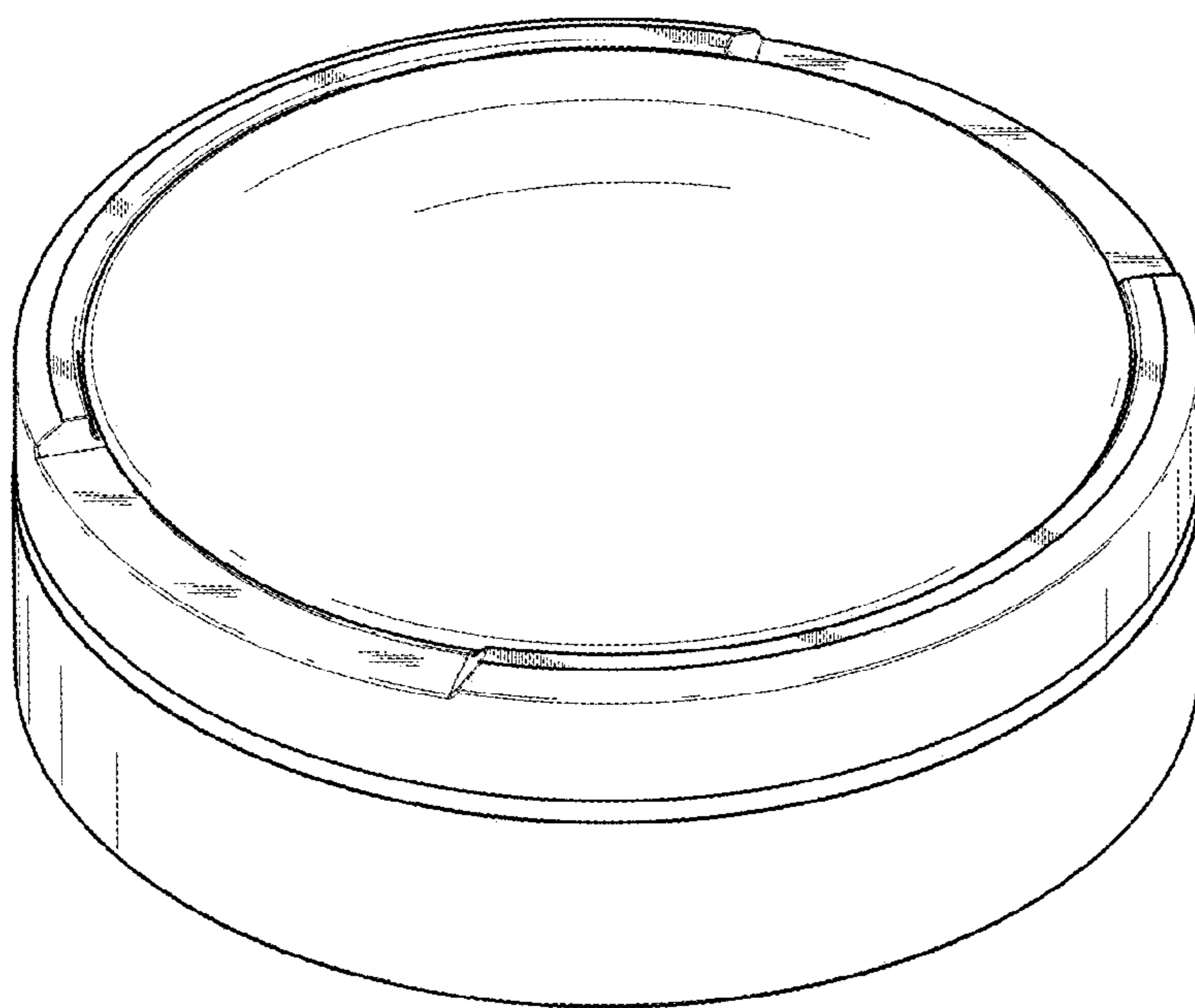


FIG. 1

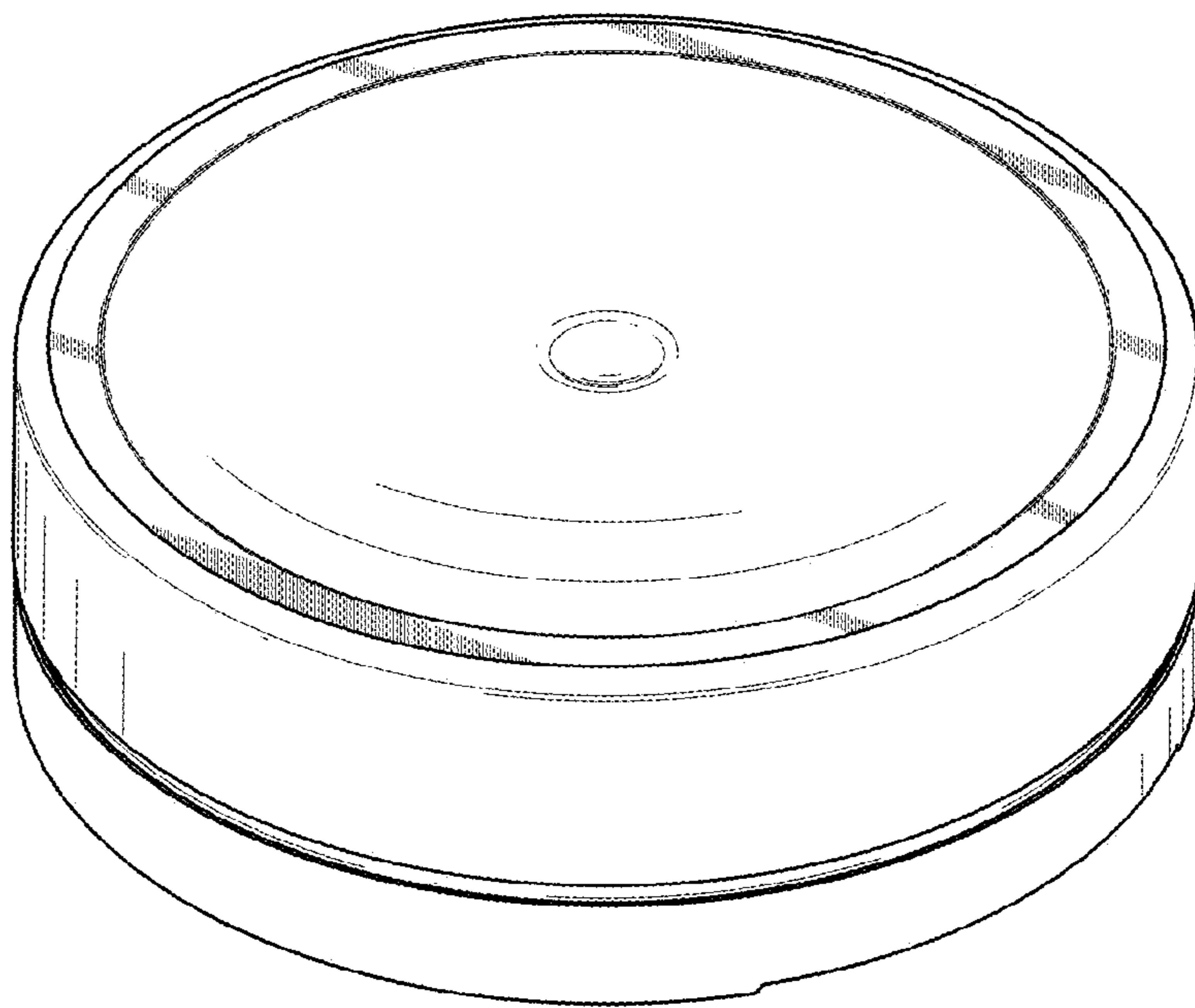


FIG. 2

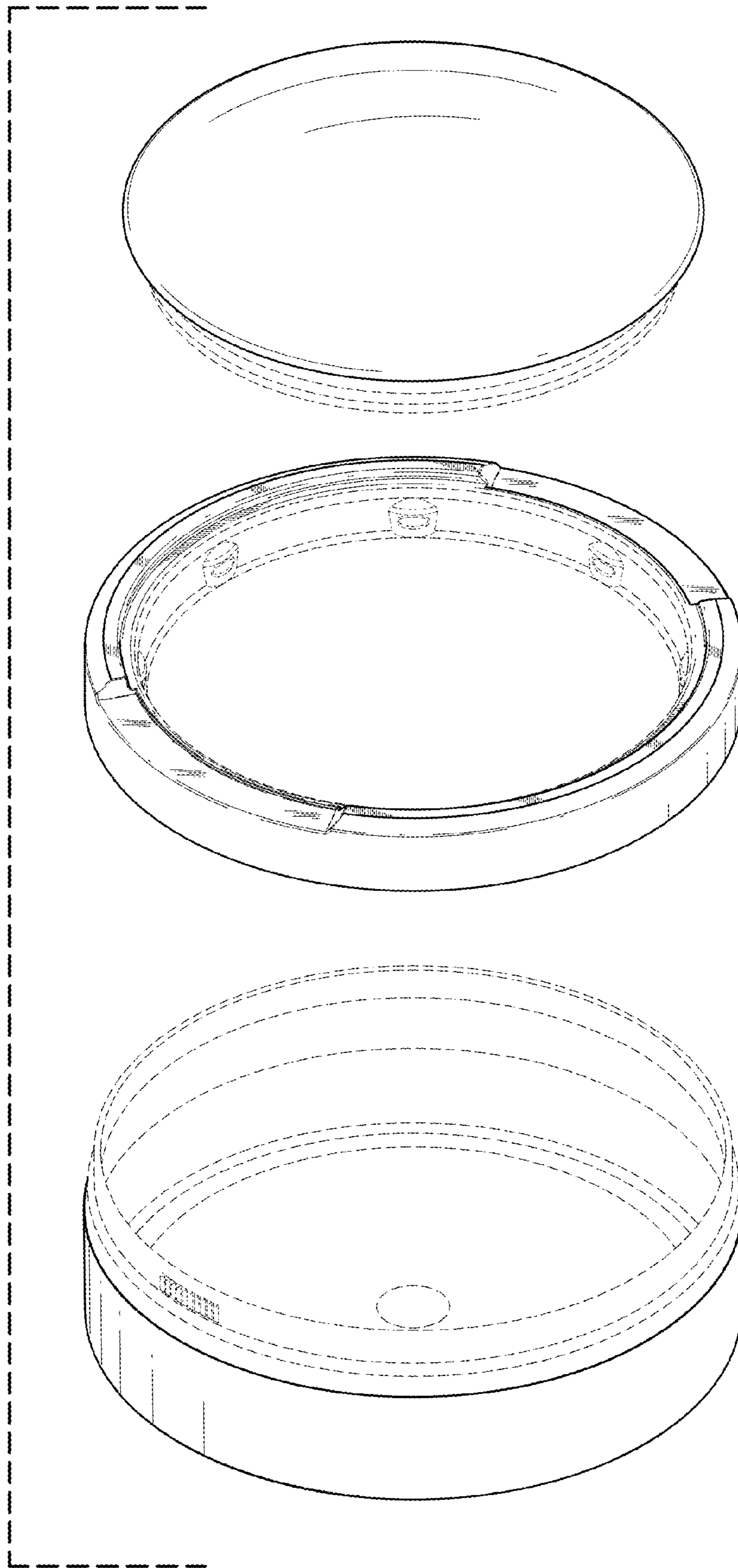


FIG. 3

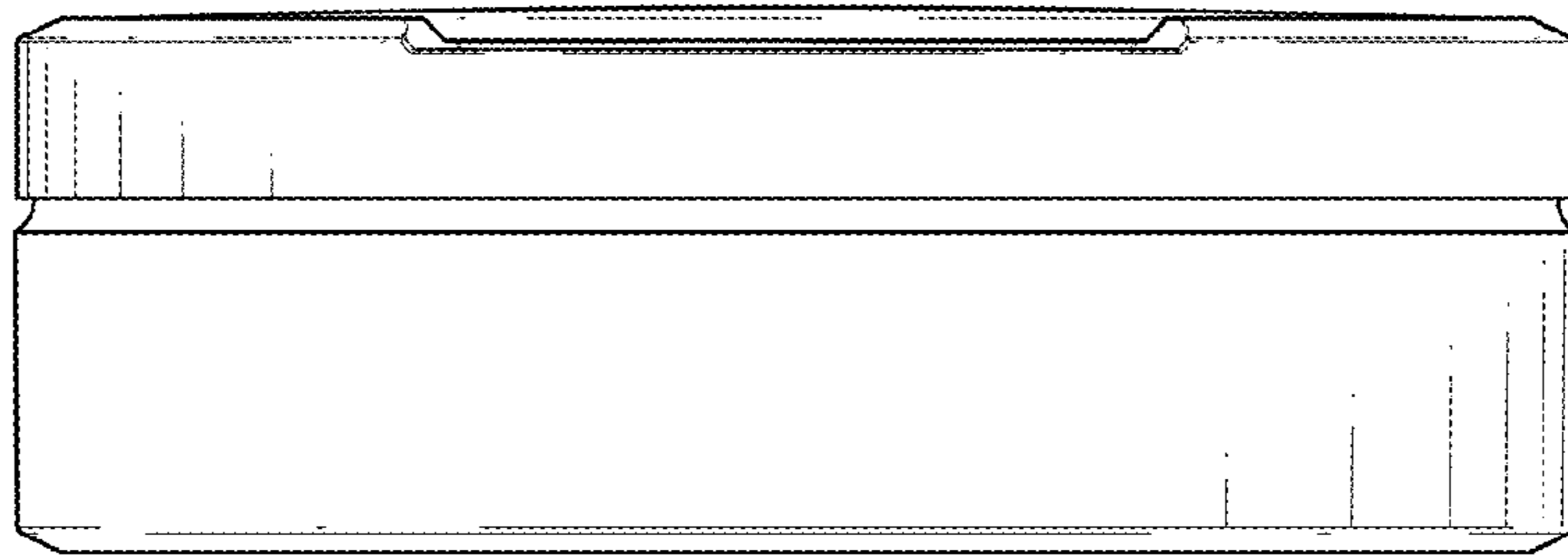


FIG. 4

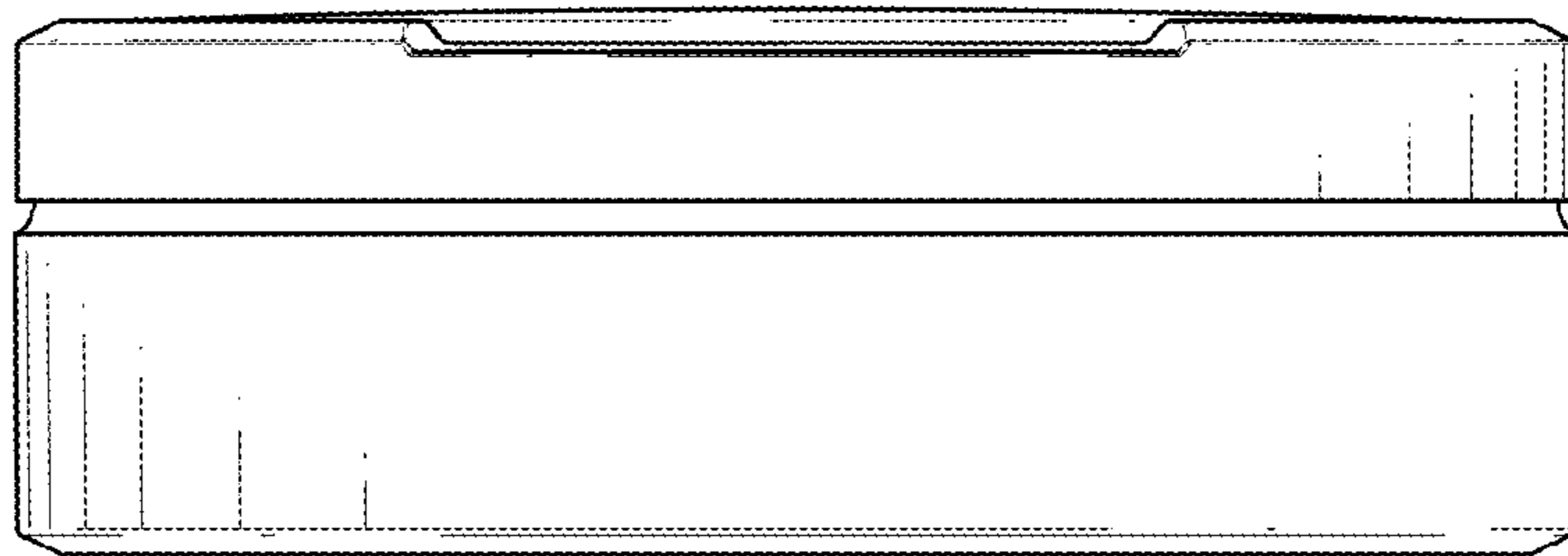


FIG. 5

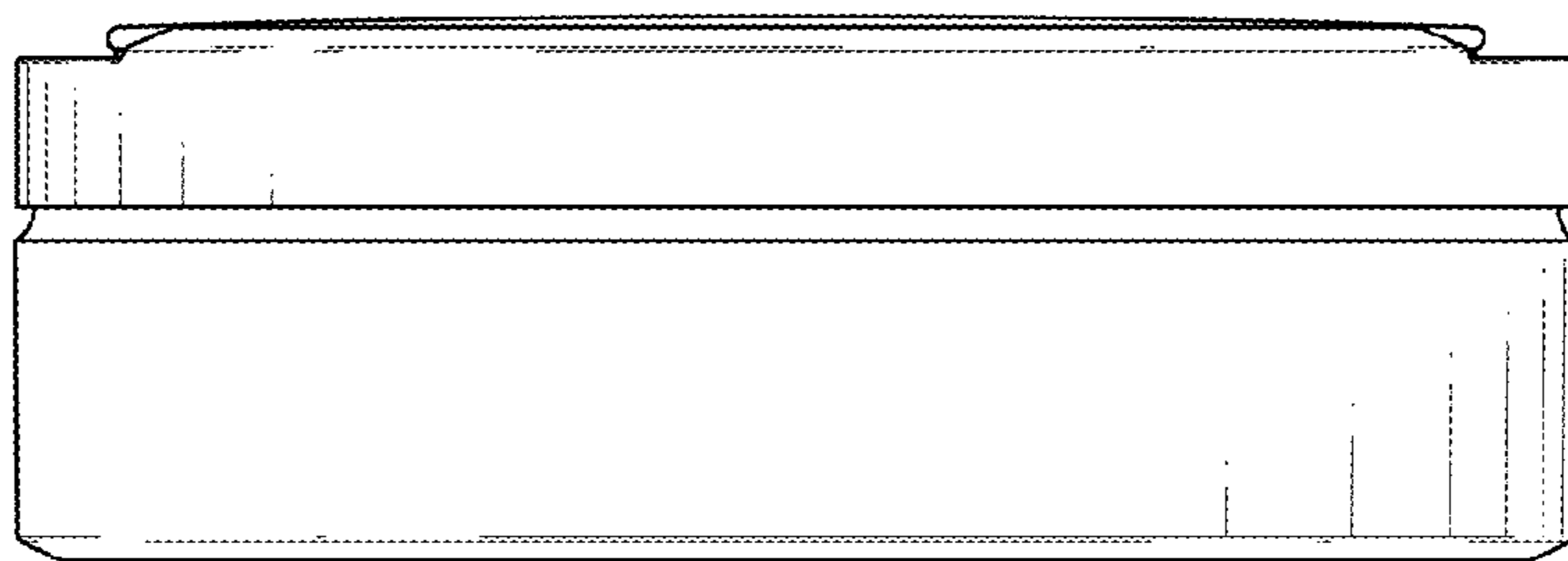


FIG. 6

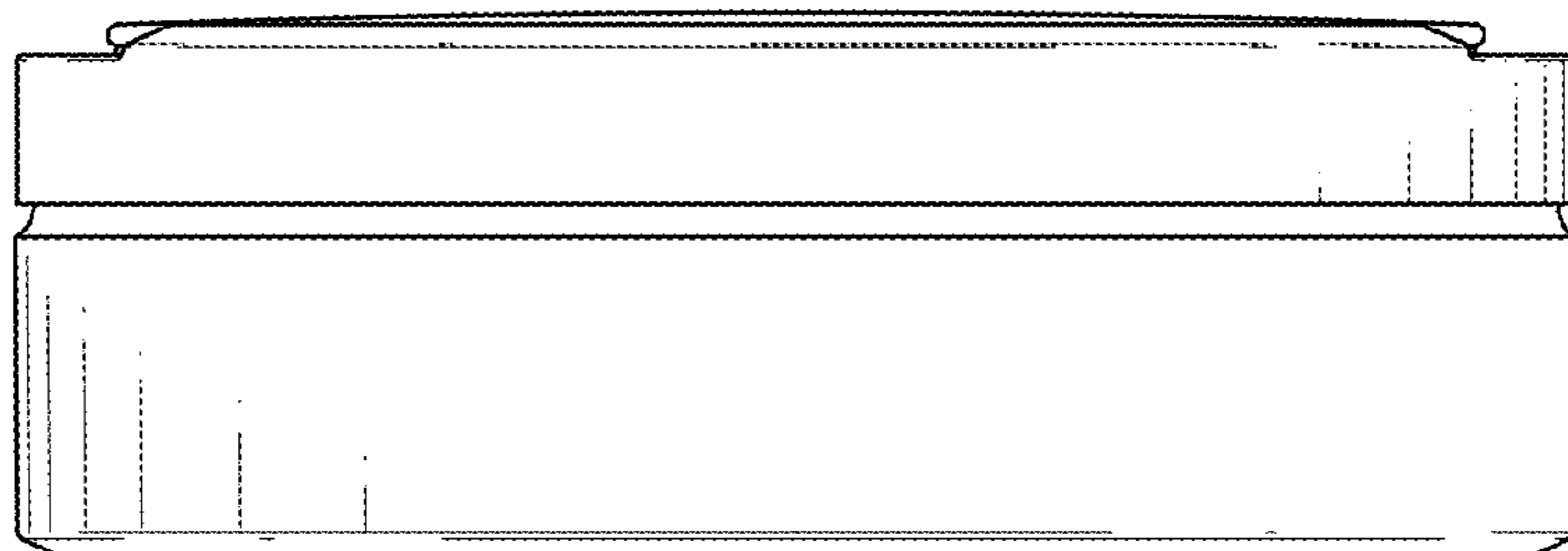


FIG. 7

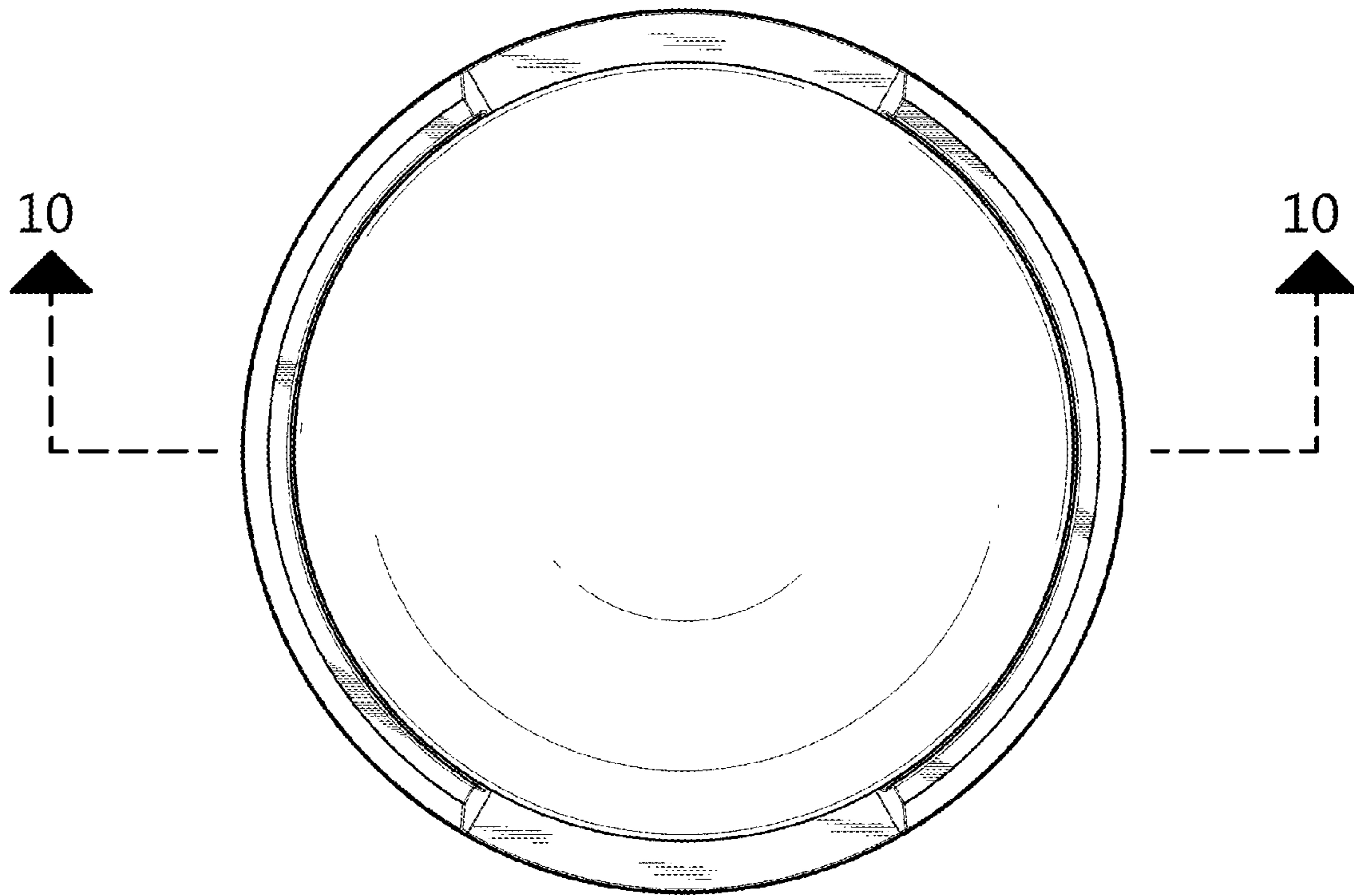


FIG. 8

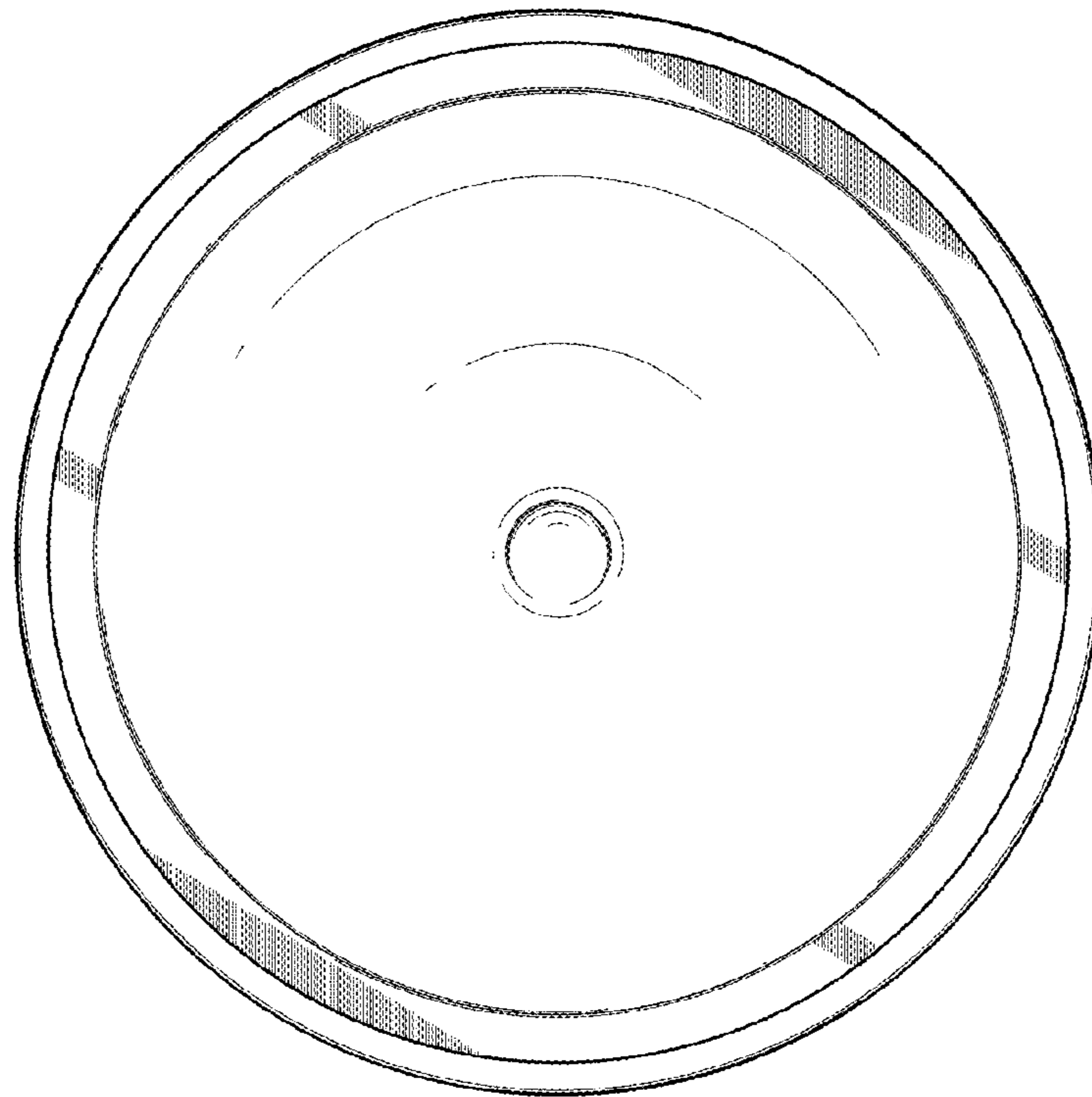


FIG. 9

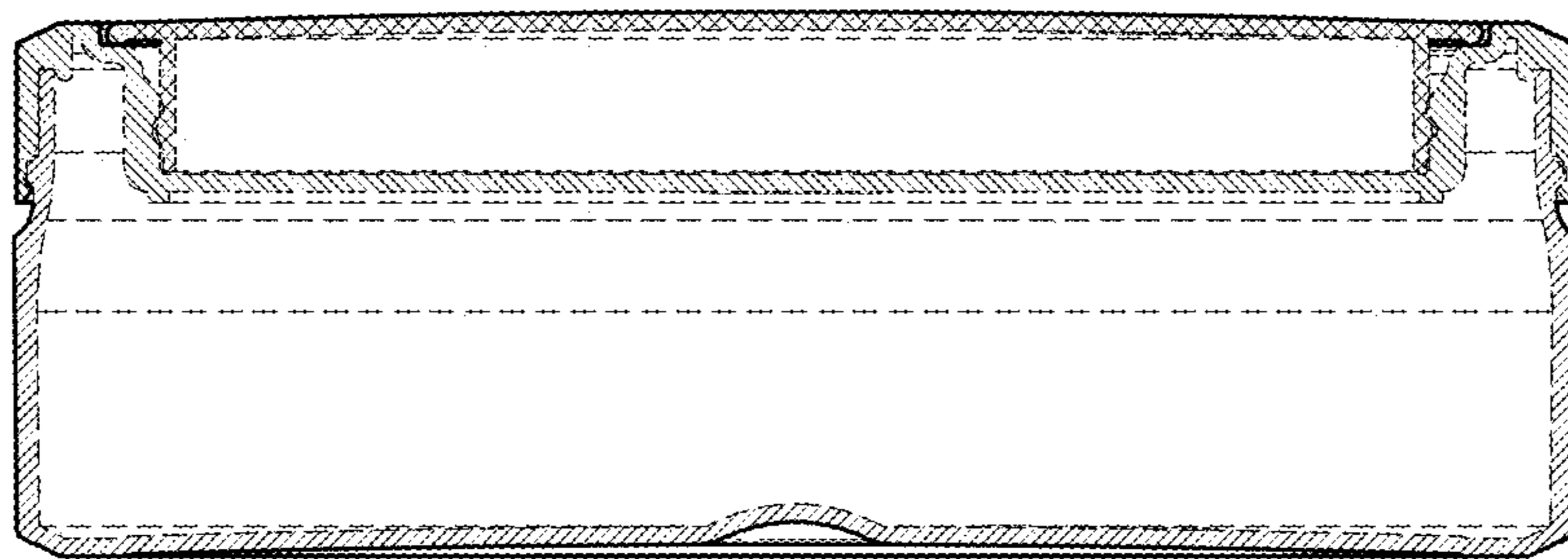


FIG. 10