



US00D885915S

(12) **United States Design Patent**
Coughanour

(10) **Patent No.:** **US D885,915 S**
(45) **Date of Patent:** **** Jun. 2, 2020**

(54) **CAN STACKING DEVICE**

(71) Applicant: **Douglas Coughanour**, Tigard, OR (US)

(72) Inventor: **Douglas Coughanour**, Tigard, OR (US)

(**) Term: **15 Years**

(21) Appl. No.: **29/648,502**

(22) Filed: **May 22, 2018**

(51) **LOC (12) Cl.** **09-07**

(52) **U.S. Cl.**
USPC **D9/456**

(58) **Field of Classification Search**
USPC D3/304, 318, 319; D7/387, 388, 391, D7/392.1, 396.1, 396.6, 403, 409, 511, D7/550.1, 553.1, 553.2, 566, 568, 601, D7/602, 614, 615, 629, 701, 703, 707, D7/708; D9/414, 416, 424, 425, 426, D9/427, 428, 430, 432, 433, 434, 435, D9/436, 456, 601, 602, 701, 703, 707, D9/708, 715, 721, 732, 736, 756, 761; D24/121, 123, 124, 227, 228
CPC .. B65D 21/022; B65D 21/0212; B65D 81/02; B65D 81/054; B65D 81/055; B65D 81/2023; B65D 81/05; B65D 85/34; B65D 85/36; B65D 85/40; B65D 85/46; B65D 5/5035; B65D 5/0004; B65D 5/4212; B65D 5/503; B65D 5/04; B65D 5/105; B65D 43/16; B65D 43/18; B65D 75/5855; B65D 71/70; B65D 1/36; A47F 7/281; B32B 3/12; A47G 19/30; A47J 37/10; B65B 11/52

See application file for complete search history.

2,687,231 A 8/1954 Somers
2,957,601 A 10/1960 Jack
4,344,530 A * 8/1982 deLarosiere B65D 71/70
206/203
4,722,440 A * 2/1988 Johnston B65D 71/70
206/319
5,312,013 A * 5/1994 Bridges A47G 19/06
220/625
5,503,858 A * 4/1996 Reskow B65D 1/36
206/557
5,722,540 A 3/1998 Laird et al.
6,367,645 B1 * 4/2002 Trygg B65D 21/0231
206/509
D488,036 S * 4/2004 Dimeo D7/708
D641,208 S * 7/2011 Morenstein D7/392.1
D646,442 S * 10/2011 Chance D30/130
D686,784 S * 7/2013 Elliott D30/133
9,327,890 B1 * 5/2016 Connelly B65D 71/70

(Continued)

Primary Examiner — Catherine S Posthauer
(74) *Attorney, Agent, or Firm* — Boudwin Intellectual Property; Daniel Boudwin

(57) **CLAIM**

The ornamental design for a can stacking device, as shown and described.

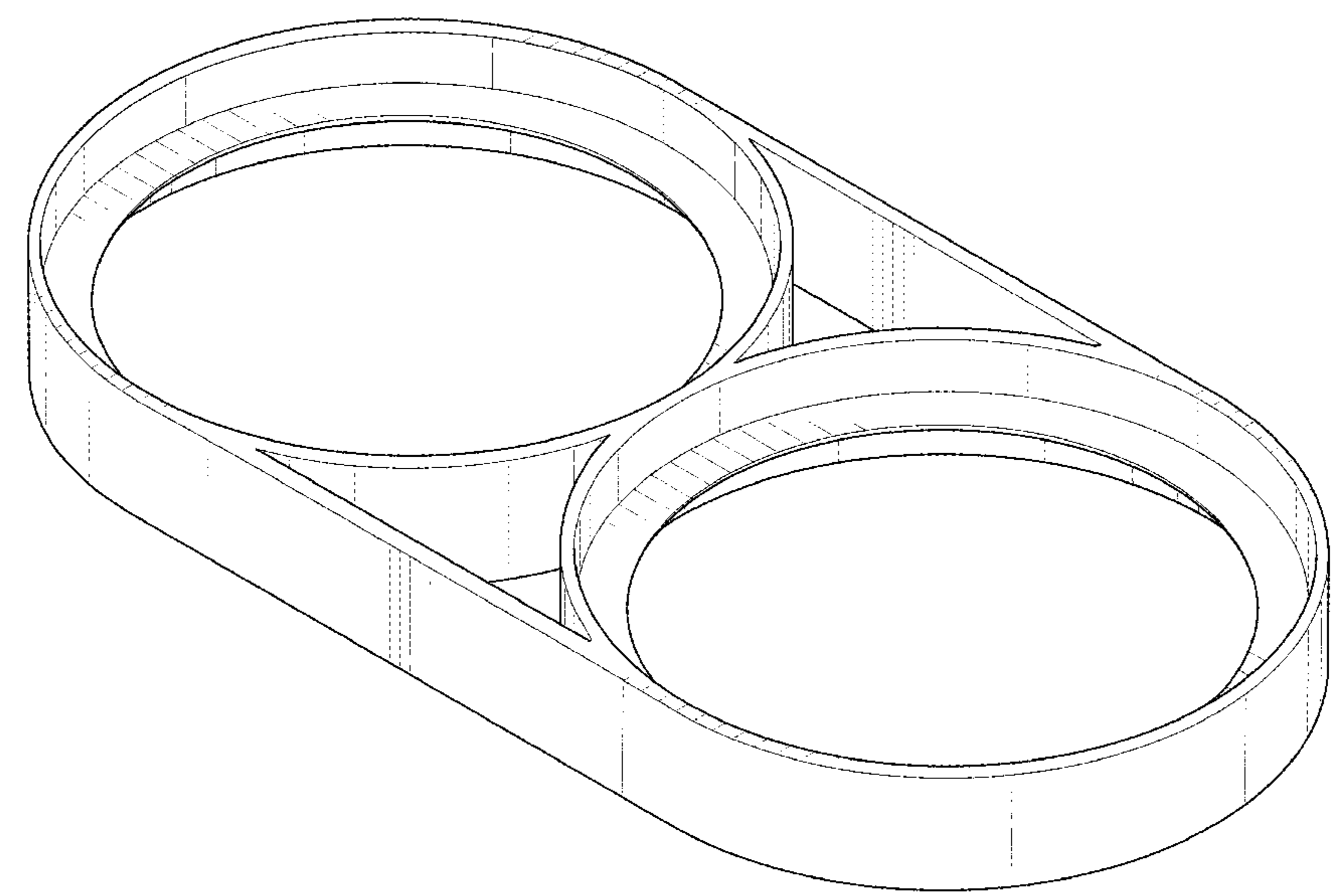
DESCRIPTION

FIG. 1 shows a perspective view of a can stacking device; FIG. 2 shows a top plan view of the can stacking device; FIG. 3 shows a bottom plan view of the can stacking device; FIG. 4 shows a left side view of the can stacking device; FIG. 5 shows a right side view of the can stacking device; FIG. 6 shows a front view of the can stacking device; and, FIG. 7 shows a rear view of the can stacking device.

The broken lines shown in the Figures show portions of the can stacking device which form no part of the claimed design.

1 Claim, 5 Drawing Sheets

(56) **References Cited**
U.S. PATENT DOCUMENTS
2,526,259 A 10/1950 Meyer
2,661,097 A 12/1953 Nicholas



(56)

References Cited

U.S. PATENT DOCUMENTS

D762,429 S * 8/2016 Kross D7/706
D811,177 S * 2/2018 Marshall D7/707
D821,165 S * 6/2018 Guerdrum D7/701
D823,654 S * 7/2018 Harris D7/707
2005/0138887 A1* 6/2005 Kanachowski A47F 7/281
52/741.1
2013/0193030 A1* 8/2013 Kroupa B65D 21/0204
206/534
2014/0166518 A1* 6/2014 Chapel A01G 9/088
206/423
2018/0346194 A1* 12/2018 Coughanour B65D 21/0224

* cited by examiner

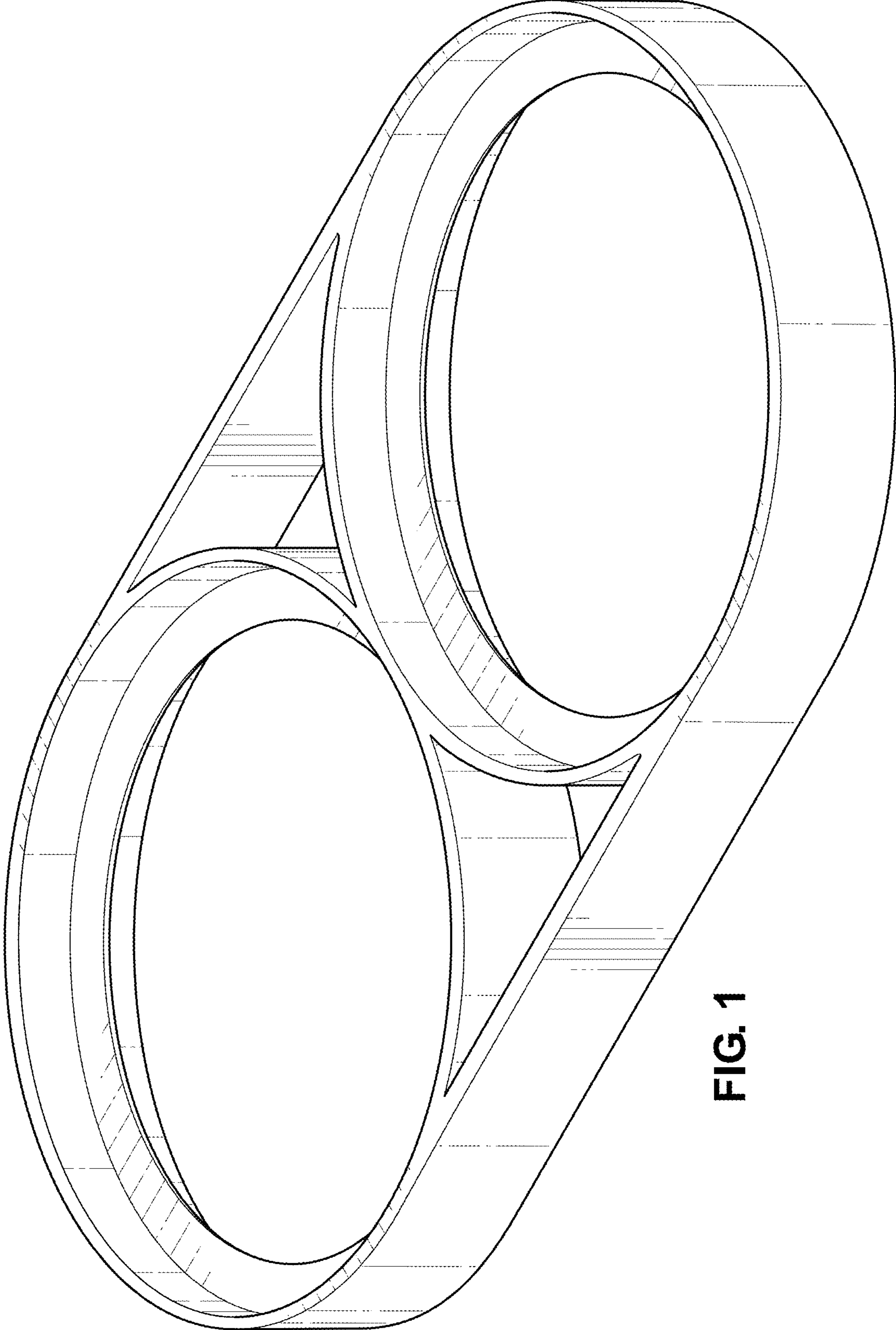


FIG. 1

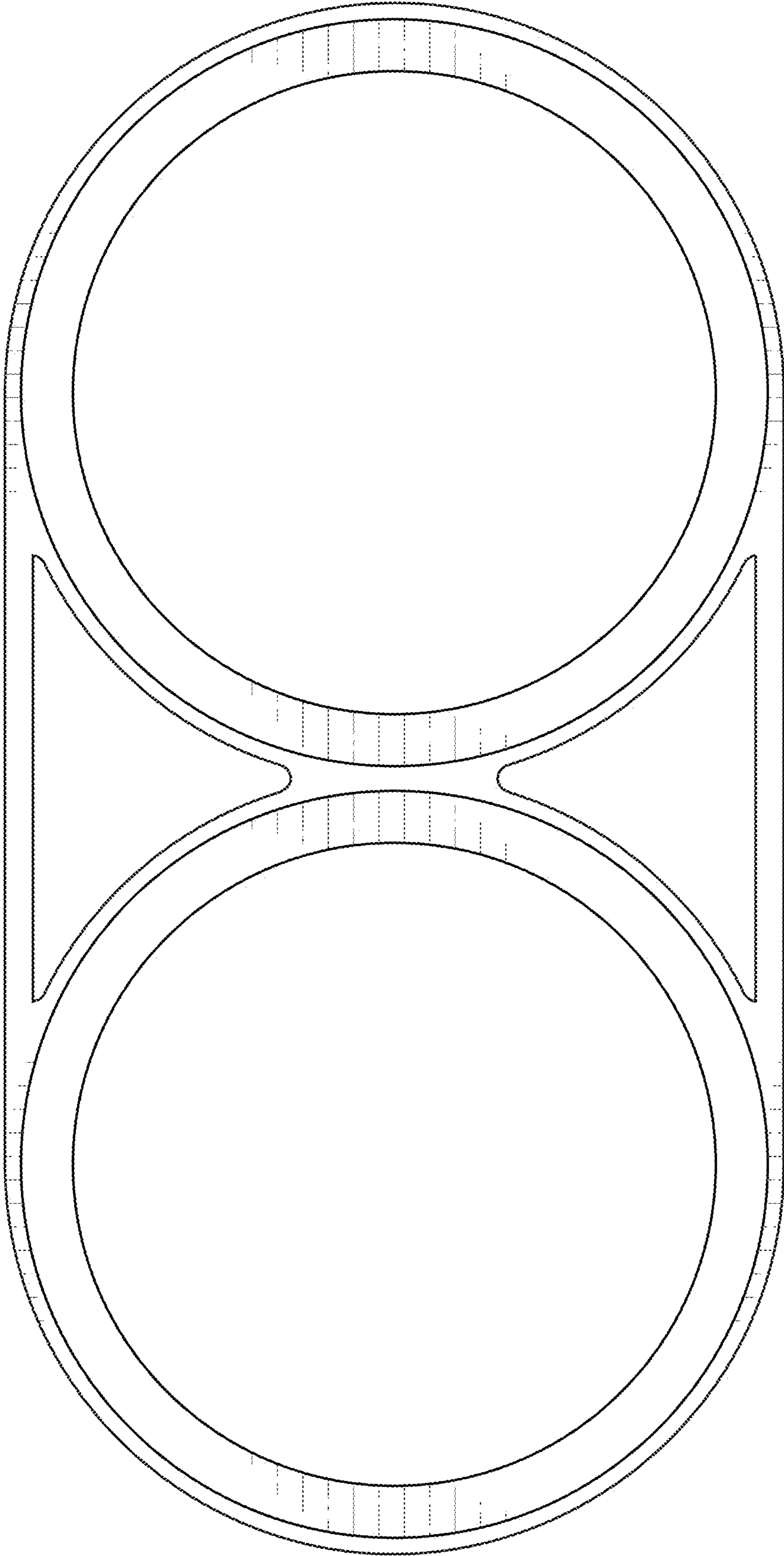


FIG. 2

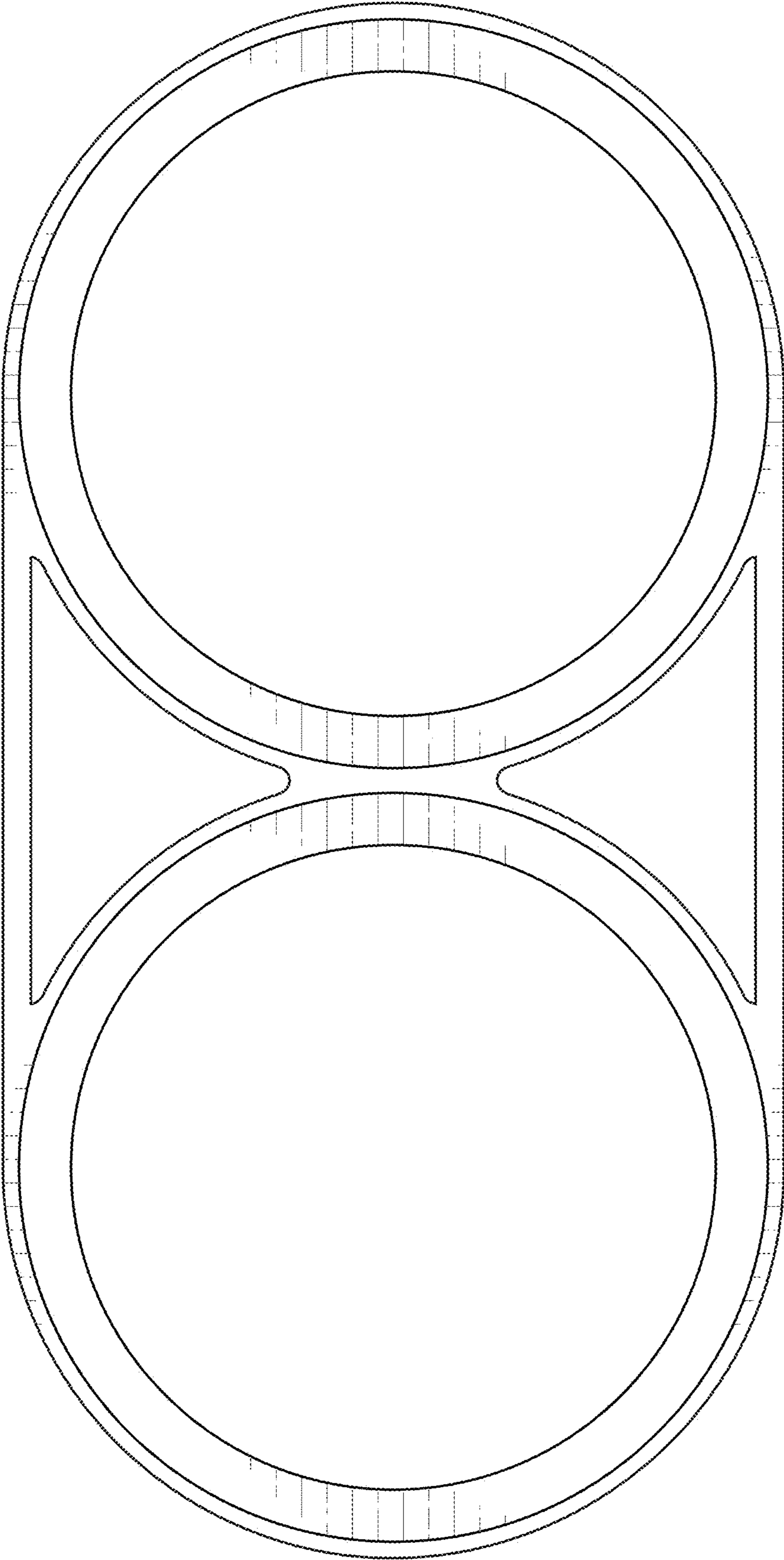


FIG. 3



FIG. 4

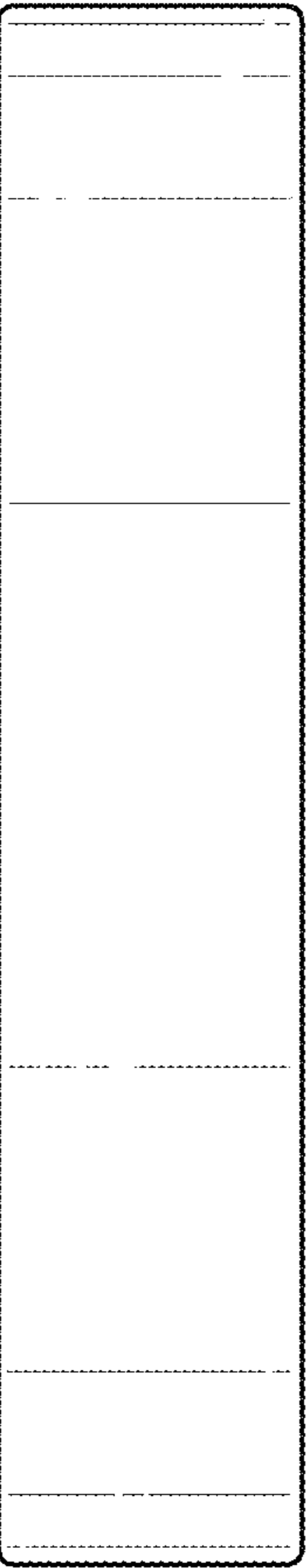


FIG. 5

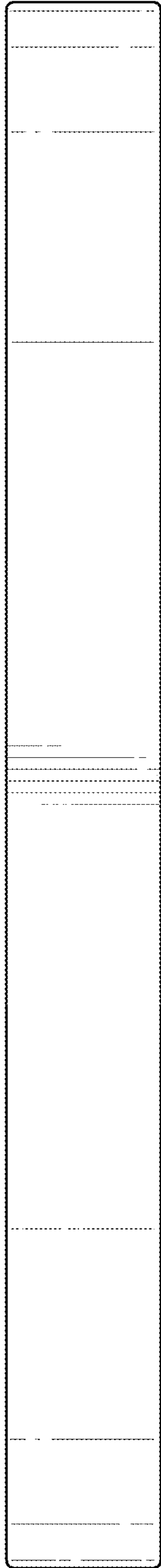


FIG. 6

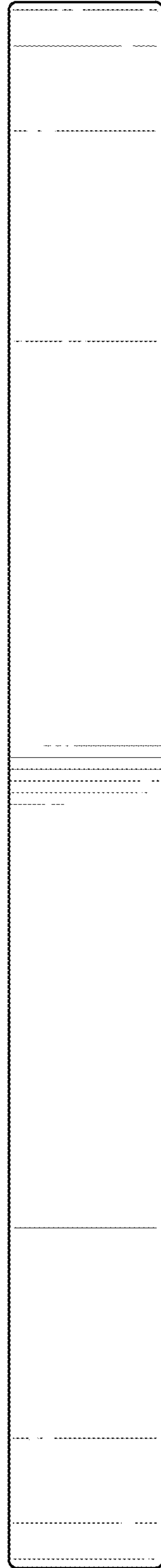


FIG. 7