



US00D885914S

(12) **United States Design Patent**  
**Glassman et al.**

(10) **Patent No.:** **US D885,914 S**  
(45) **Date of Patent:** **\*\* Jun. 2, 2020**

(54) **PRODUCT TRAY**

(71) Applicant: **Comcast Cable Communications, LLC**, Philadelphia, PA (US)

(72) Inventors: **Ellen Tave Glassman**, Closter, NJ (US); **Michael Boylan**, Brooklyn, NY (US)

(73) Assignee: **Comcast Cable Communications, LLC**, Philadelphia, PA (US)

(\*\*) Term: **15 Years**

(21) Appl. No.: **29/643,283**

(22) Filed: **Apr. 6, 2018**

(51) **LOC (12) Cl.** ..... **09-07**

(52) **U.S. Cl.**  
USPC ..... **D9/456**

(58) **Field of Classification Search**

USPC ..... D6/300, 308, 546, 672, 675, 678.2; D7/300, 305, 306, 307, 308, 312, 313, D7/391, 397, 541, 550.1, 553.1, 553.2, D7/553.3, 555.589, 590, 601, 602, 701; D9/414, 415, 418, 420, 424, 425, 426, D9/430, 432, 433, 434, 455, 457, 499, D9/721, 722, 737, 756, 759, 760, 761, D9/612, 653, 661, 674, 456, 667; D19/3, D19/75, 107; D20/11, 14, 19, 21, 22, 27, D20/40, 42, 43, 44; D14/300, 308, 313, D14/314, 348-356, 441-446, 489, 491, D14/492, 494, 495; D5/6, 7, 11, 23, 25, D5/26, 37, 45, 56, 57, 58, 59.6, 61, 62  
CPC ..... A47J 47/20; B65D 21/083; B65D 21/086; B65D 57/00; B65D 61/02; B65D 81/133; B65D 5/0254; B65D 5/0045; B65D 5/18; B65D 5/2033; B65D 5/38; B65D 5/40; B65D 5/48038; B65D 5/48032; B65D 5/48004; B65D 1/24; B65D 1/34; B65D 1/38; B65D 1/335; B65D 77/24; B65D 77/067; B65D 5/00-02; B65D

5/0209-5/0272; B65D 5/029; B65D 5/72; B65D 5/541; B65D 5/705; B65D 5/706; B65D 5/727; B65D 5/4204; B65D 1/00; B65D 1/02; B65D 1/0233; B65D 1/22; B65D 1/32; B65D 1/36; B65D 1/40; B65D 1/225; B65D 23/00; B65D 23/12; B65D 23/14; B65D 2543/00296; B65D 15/08; B65D 65/22; A47L 13/00; A47L 13/10; A47L 13/12; A47L 13/16; A47L 13/17; A47L 13/18

See application file for complete search history.

(56) **References Cited**

U.S. PATENT DOCUMENTS

D167,977 S \* 10/1952 Francis ..... D9/414  
D257,109 S \* 9/1980 Conti ..... D7/553.3  
D265,711 S \* 8/1982 Dunden ..... D15/89  
D363,192 S \* 10/1995 Reeves ..... D7/553.3  
D377,583 S \* 1/1997 Burke, Jr. .... D11/155

(Continued)

*Primary Examiner* — Catherine S Posthauer

(74) *Attorney, Agent, or Firm* — BakerHostetler

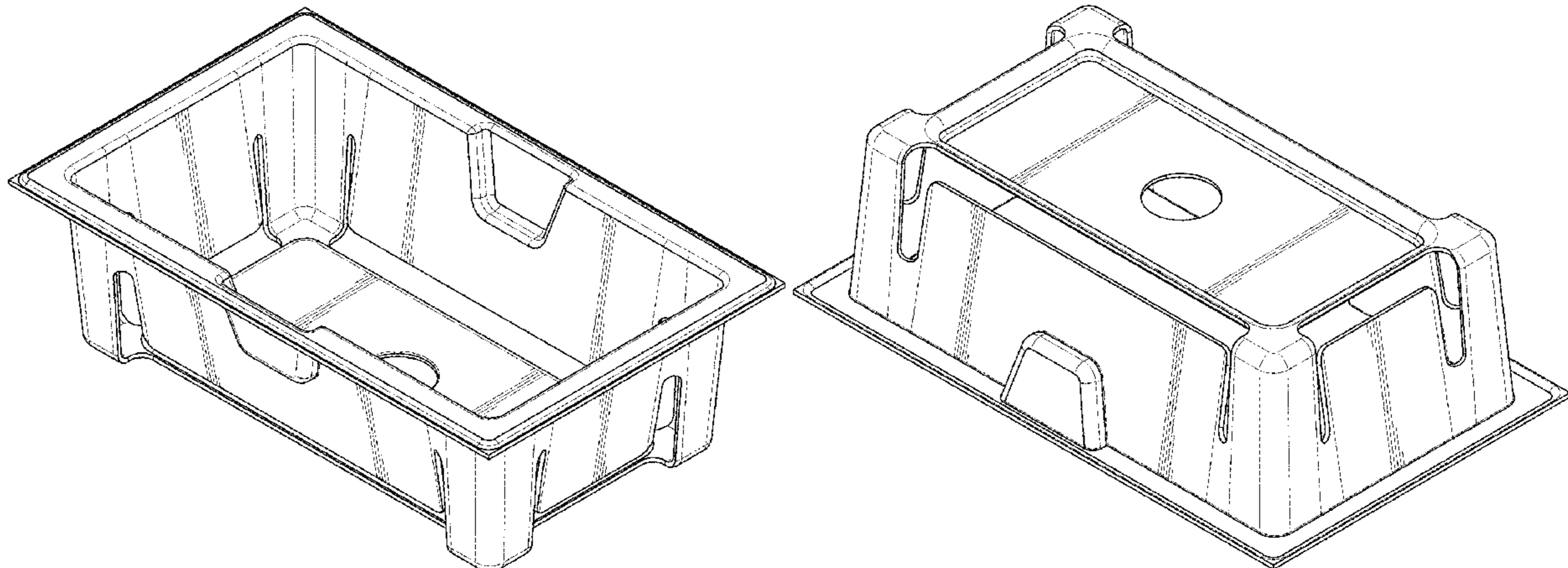
(57) **CLAIM**

The ornamental design for a product tray, as shown and described.

**DESCRIPTION**

FIG. 1 is a top perspective view of a product tray, showing our new design;  
FIG. 2 is a bottom perspective view of the product tray of FIG. 1;  
FIG. 3 is a top view of the product tray of FIG. 1;  
FIG. 4 is a bottom view of the product tray of FIG. 1;  
FIG. 5 is a front view of the product tray of FIG. 1;  
FIG. 6 is a rear view of the product tray of FIG. 1;  
FIG. 7 is a left side view of the product tray of FIG. 1; and,  
FIG. 8 is a right side view of the product tray of FIG. 1.

**1 Claim, 4 Drawing Sheets**



(56)

**References Cited**

U.S. PATENT DOCUMENTS

D395,392 S *	6/1998	Lahm .....	D9/425
D549,457 S *	8/2007	Dretzka .....	D3/304
D612,153 S *	3/2010	Liao .....	D3/304
D627,645 S *	11/2010	Ma .....	D9/456
D627,646 S *	11/2010	Li .....	D9/456
D627,647 S *	11/2010	Li .....	D9/456
D627,648 S *	11/2010	He .....	D9/456
D627,649 S *	11/2010	He .....	D9/456
D628,070 S *	11/2010	Ma .....	D9/456
D628,071 S *	11/2010	He .....	D9/456
D746,131 S *	12/2015	Astorga .....	D9/425
D746,675 S *	1/2016	Astorga .....	D9/425
D747,962 S *	1/2016	Astorga .....	D9/425
D770,271 S *	11/2016	McBride .....	D9/424
D808,806 S *	1/2018	Campbell .....	D9/456
D811,213 S *	2/2018	Pickard .....	D9/425
D813,672 S *	3/2018	Doster .....	D9/456
D832,577 S *	11/2018	Ogilvie .....	D3/304

\* cited by examiner

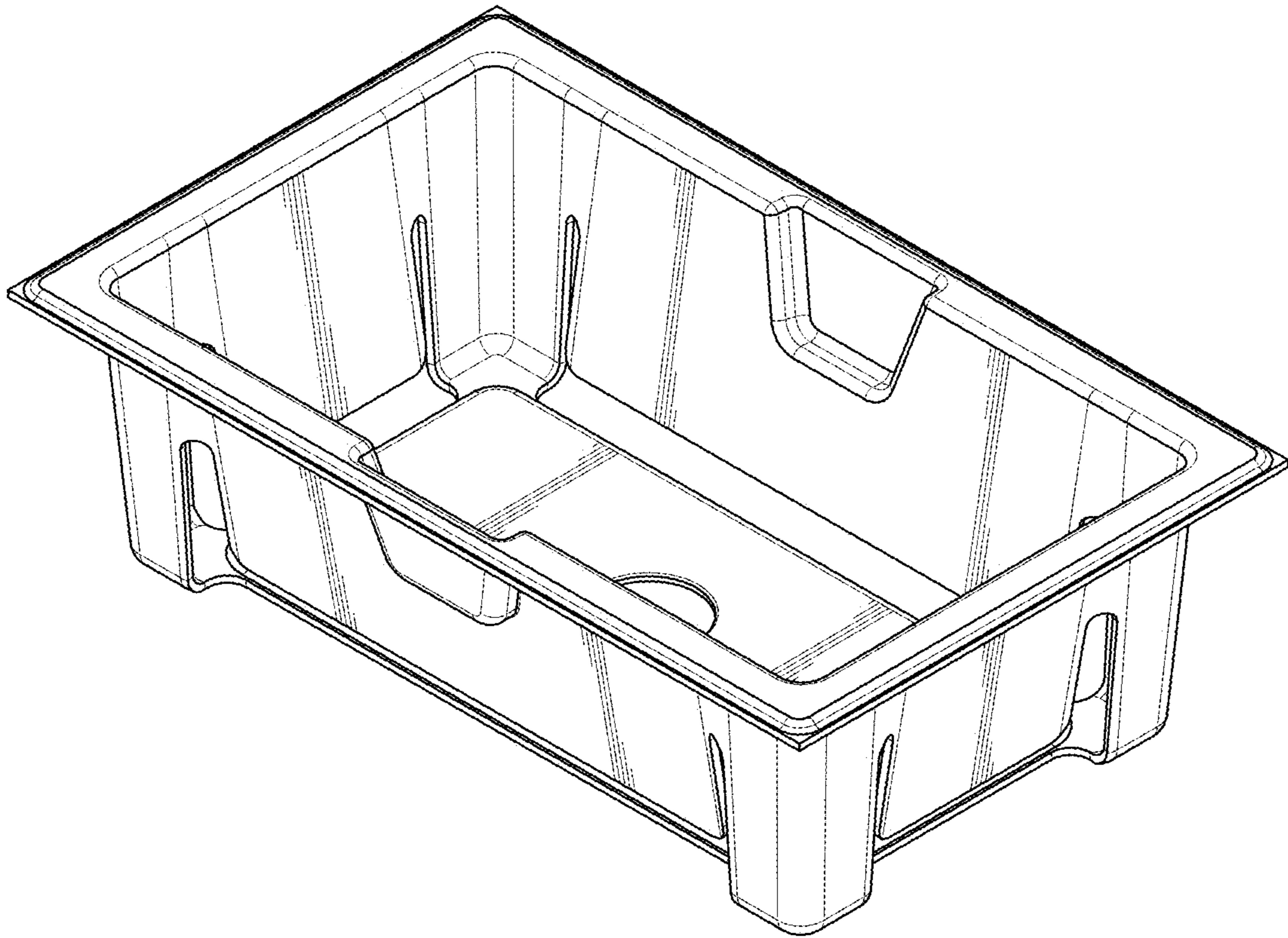


FIG. 1

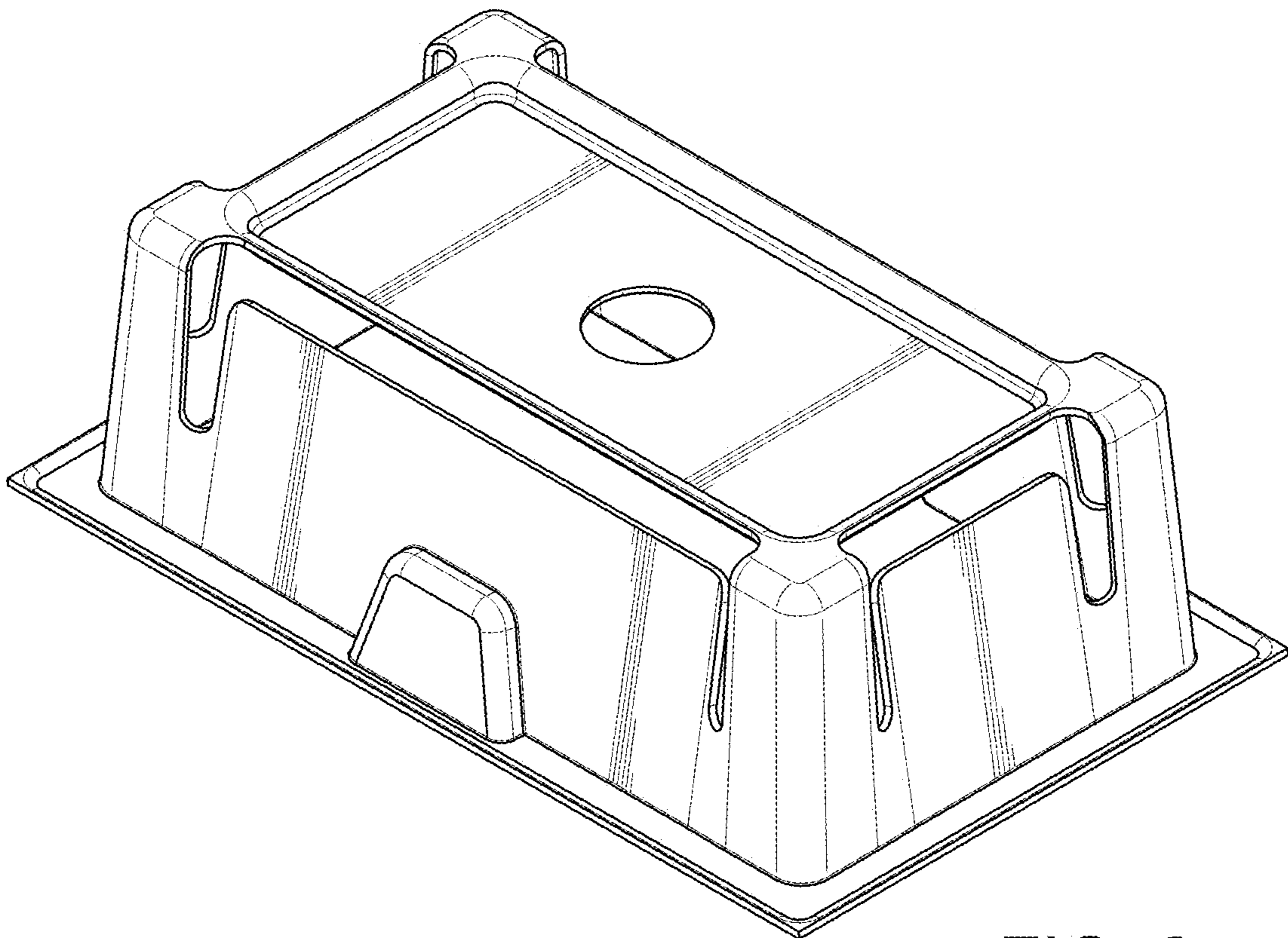


FIG. 2

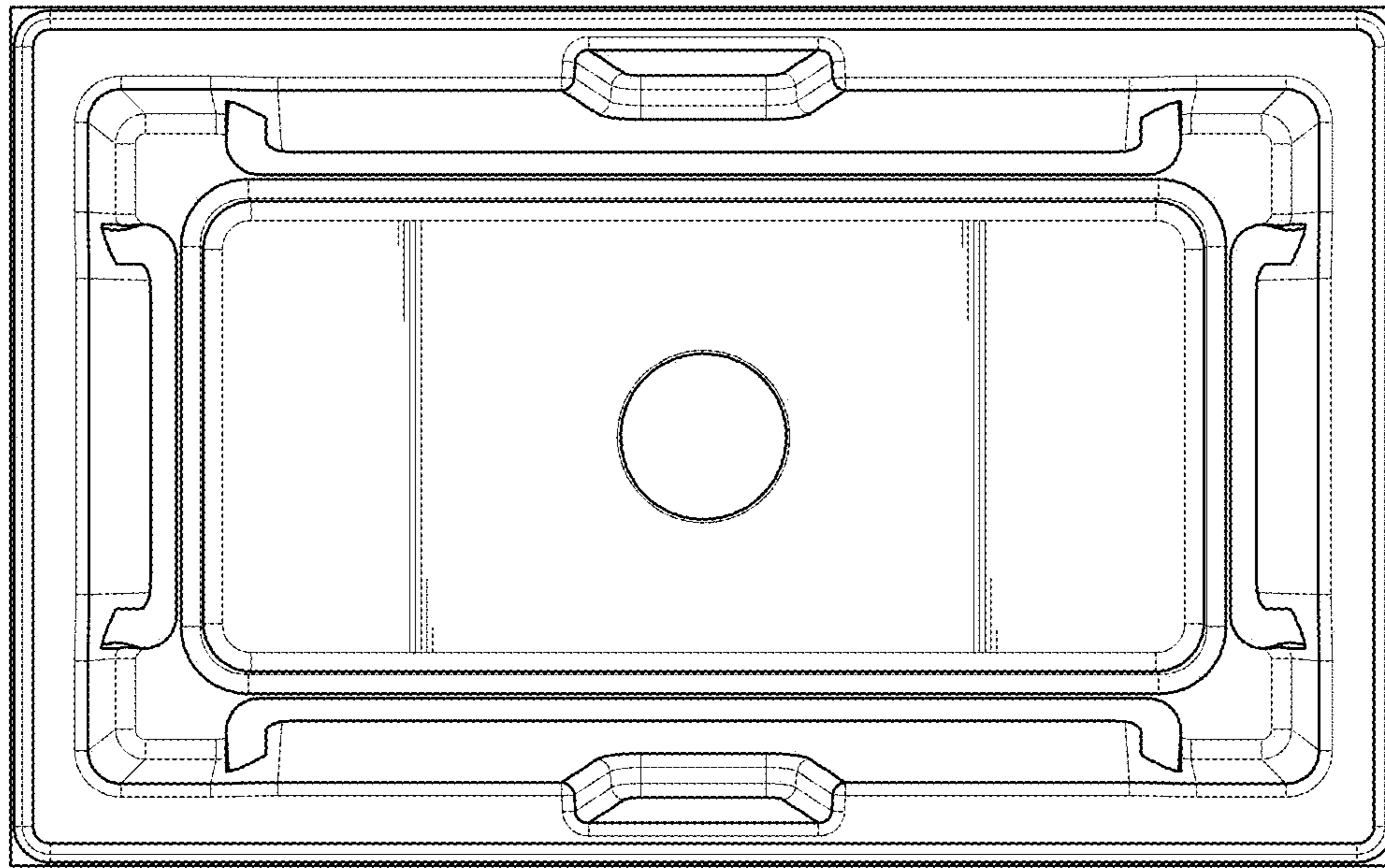


FIG. 3

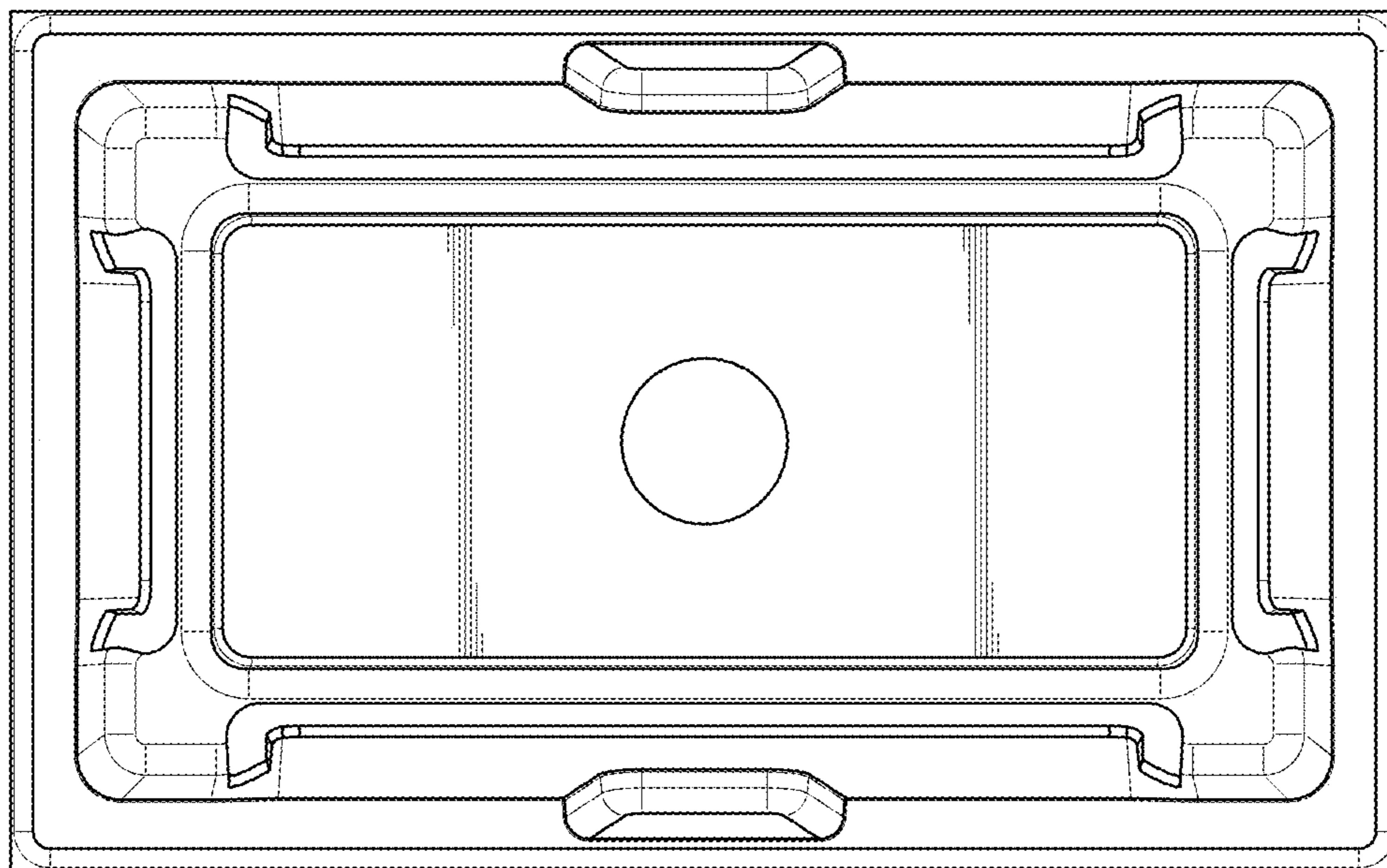


FIG. 4

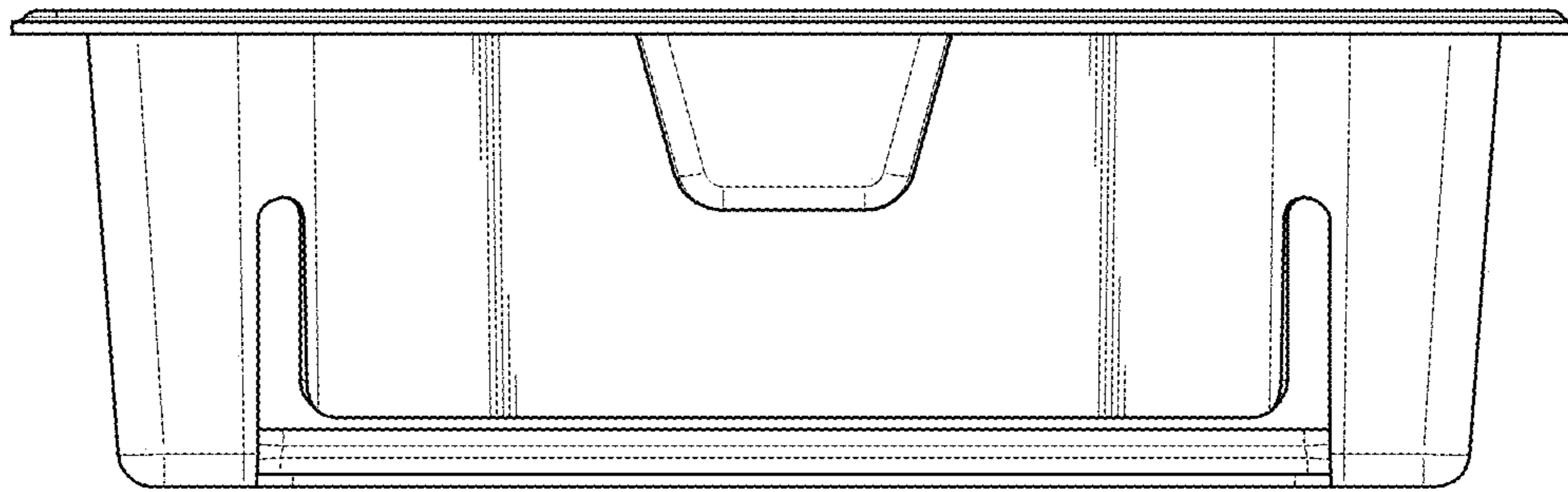


FIG. 5

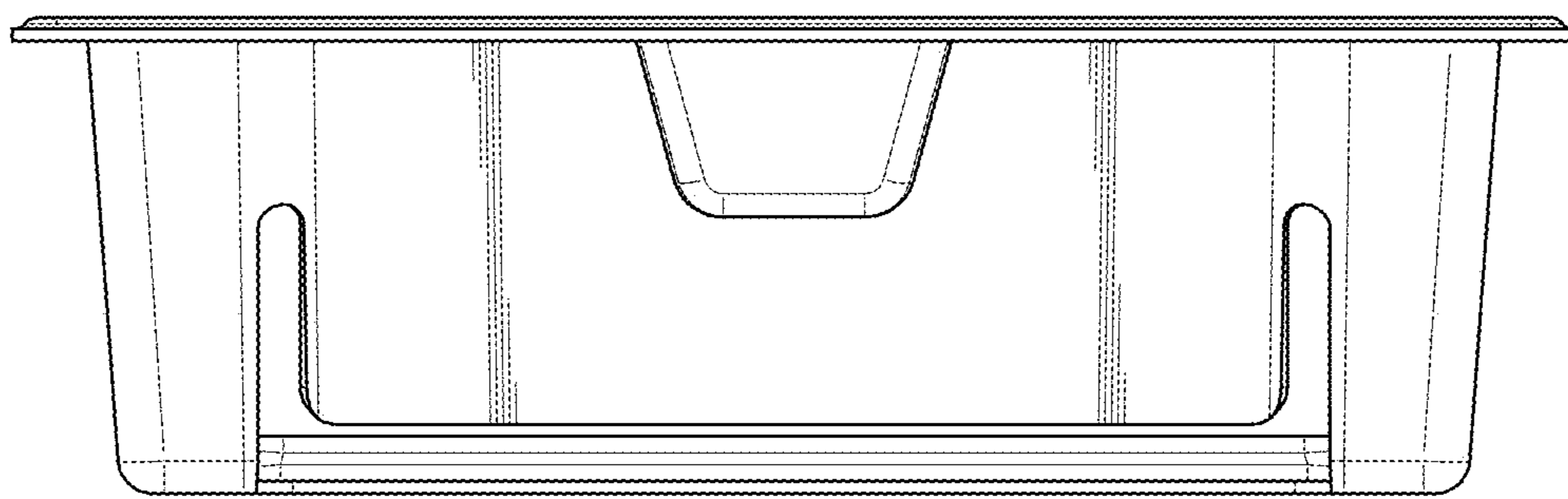


FIG. 6

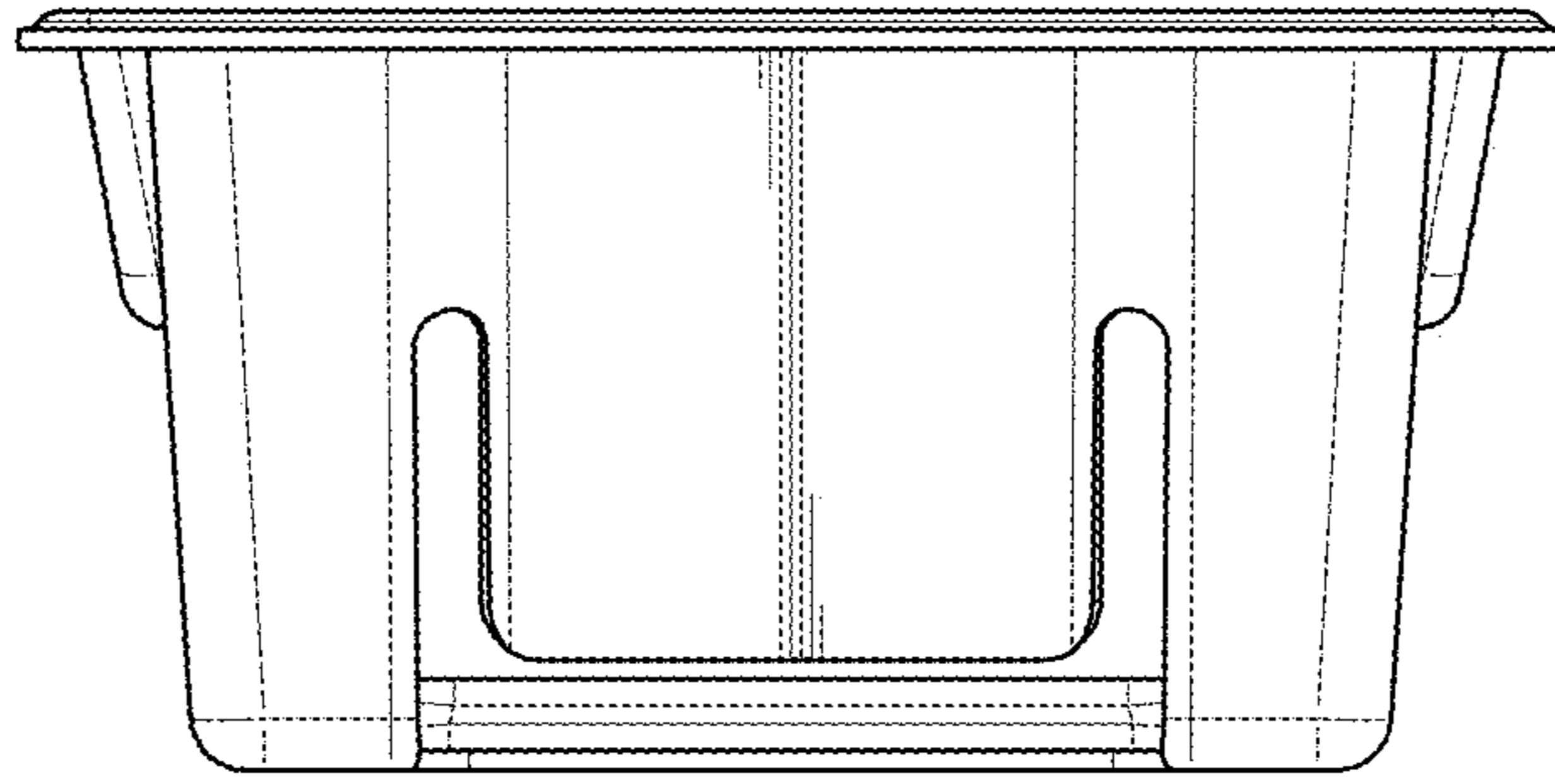


FIG. 7

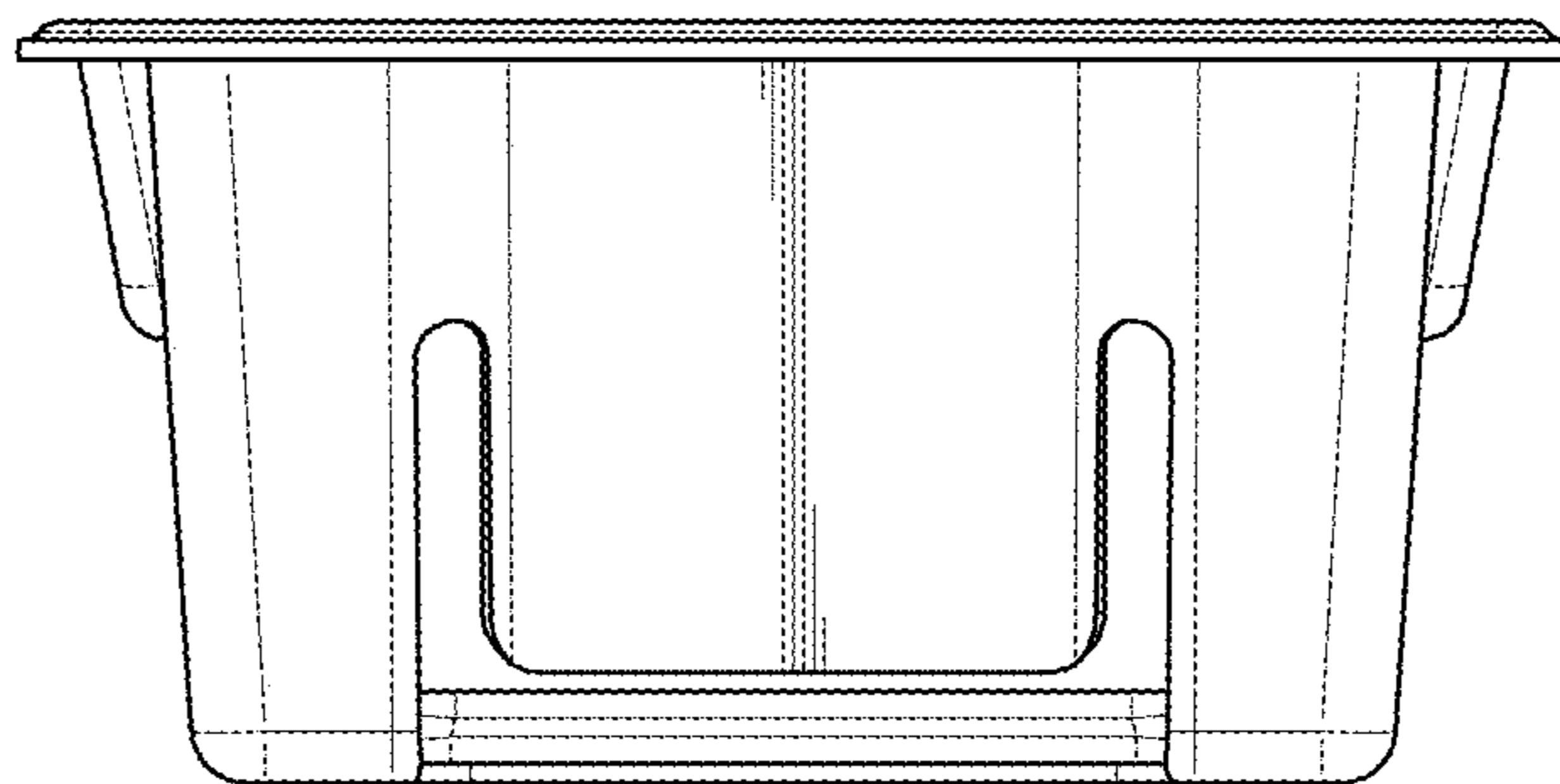


FIG. 8