



US00D885913S

(12) **United States Design Patent**
Glassman et al.

(10) **Patent No.:** **US D885,913 S**

(45) **Date of Patent:** **** Jun. 2, 2020**

(54) **PRODUCT TRAY**

(71) Applicant: **Comcast Cable Communications, LLC**, Philadelphia, PA (US)

(72) Inventors: **Ellen Tave Glassman**, Closter, NJ (US); **Michael Boylan**, Brooklyn, NY (US)

(73) Assignee: **Comcast Cable Communications, LLC**, Philadelphia, PA (US)

(**) Term: **15 Years**

(21) Appl. No.: **29/643,280**

(22) Filed: **Apr. 6, 2018**

(51) **LOC (12) Cl.** **09-07**

(52) **U.S. Cl.**
USPC **D9/456**

(58) **Field of Classification Search**
USPC D6/300, 308, 546, 672, 675, 678.2; D7/300, 305, 306, 307, 308, 312, 313, D7/391, 397, 541, 550.1, 553.1, 553.2, D7/553.3, 555.589, 590, 601, 602, 701; D9/414, 415, 418, 420, 424, 425, 426, D9/430, 432, 433, 434, 455, 456, 457, D9/499, 721, 722, 737, 756, 759, 760, D9/761, 612, 653, 661, 667, 674; D19/3, D19/75, 107; D20/11, 14, 19, 21, 22, 27, D20/40, 42, 43, 44; D14/300, 308, 313, D14/314, 348–356, 441–446, 489, 491, D14/492, 494, 495; D5/6, 7, 11, 23, 25, D5/26, 37, 45, 56, 57, 58, 59.6, 61, 62; D3/272, 304
CPC A47J 47/20; B65D 21/083; B65D 21/086; B65D 57/00; B65D 61/02; B65D 81/133; B65D 5/01; B65D 5/02; B65D 5/0254; B65D 5/0045; B65D 5/18; B65D 5/2033; B65D 5/38; B65D 5/40; B65D 5/48038; B65D 5/48032; B65D 5/48004; B65D 1/24; B65D 1/34; B65D 1/38; B65D

1/335; B65D 77/24; B65D 77/067; B65D 5/00–02; B65D 5/0209–0272; B65D 5/029; B65D 5/72; B65D 5/541; B65D 5/705; B65D 5/706; B65D 5/727; B65D 5/4204; B65D 1/00; B65D 1/02; B65D 1/0233; B65D 1/22; B65D 1/32; B65D 1/36; B65D 1/40; B65D 1/225; B65D 23/00; B65D 23/12; B65D 23/14; B65D 2543/00296; B65D 15/08; B65D 65/22; A47L 13/00; A47L 13/10; A47L 13/12; A47L 13/16; A47L 13/17; A47L 13/18

See application file for complete search history.

(56) **References Cited**

U.S. PATENT DOCUMENTS

D167,977 S * 10/1952 Francis D9/414
D257,109 S * 9/1980 Conti D7/553.3
D265,711 S * 8/1982 Dunden D15/89
D363,192 S * 10/1995 Reeves D7/553.3

(Continued)

Primary Examiner — Catherine S Posthauer

(74) *Attorney, Agent, or Firm* — BakerHostetler

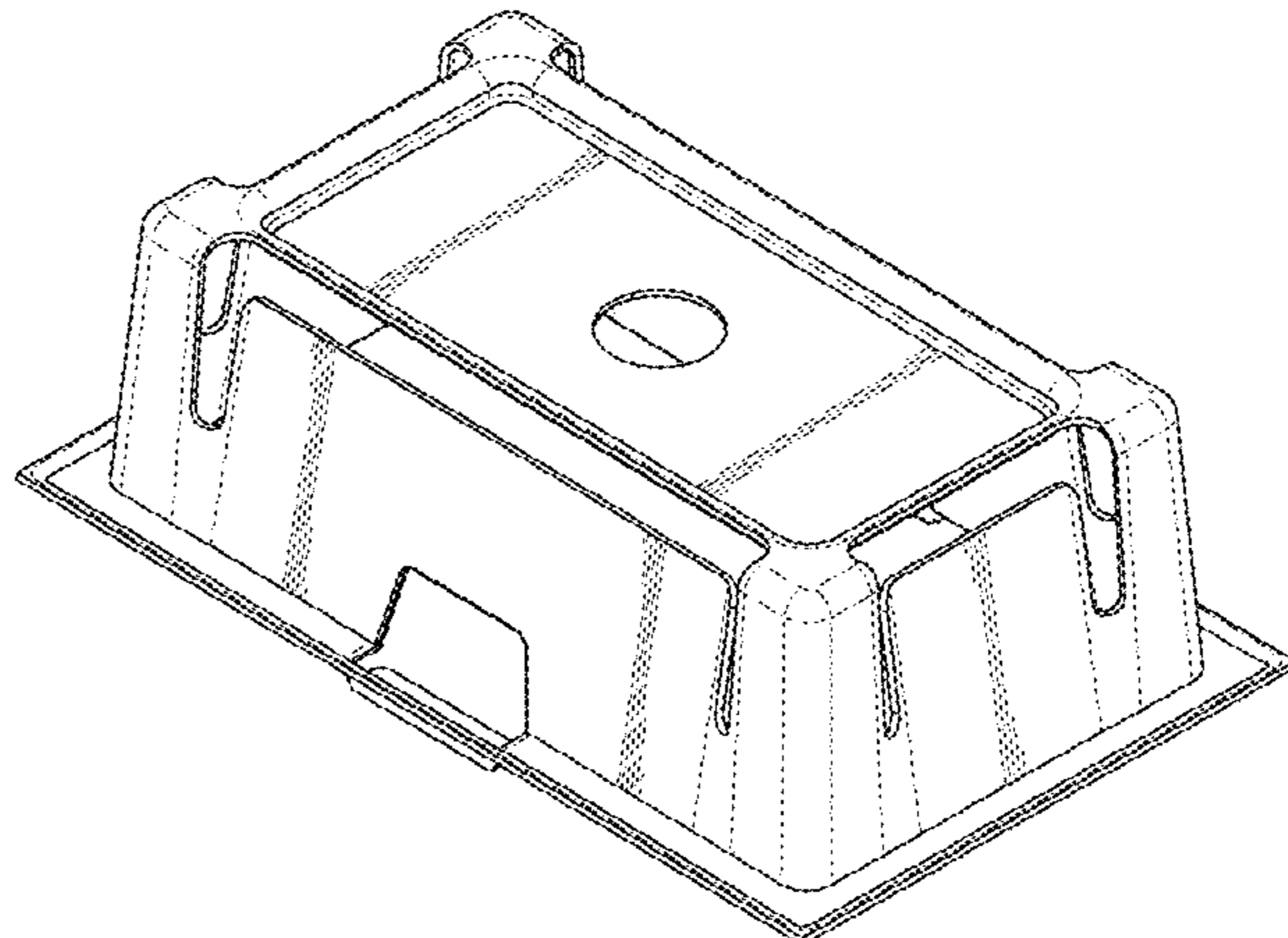
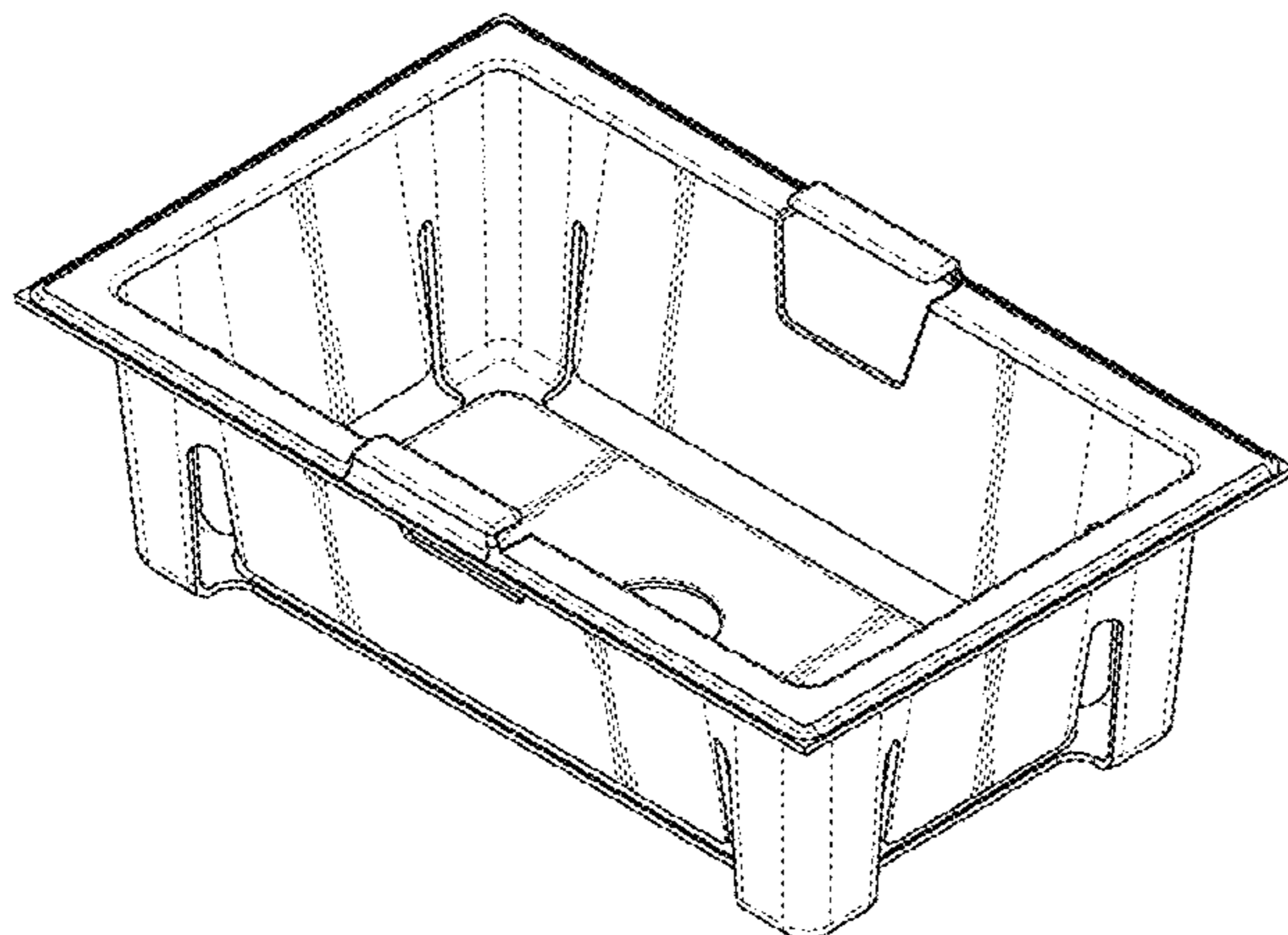
(57) **CLAIM**

The ornamental design for a product tray, as shown and described.

DESCRIPTION

FIG. 1 is a top perspective view of a product tray, showing our new design;
FIG. 2 is a bottom perspective view of the product tray of FIG. 1;
FIG. 3 is a top view of the product tray of FIG. 1;
FIG. 4 is a bottom view of the product tray of FIG. 1;
FIG. 5 is a front view of the product tray of FIG. 1;
FIG. 6 is a rear view of the product tray of FIG. 1;
FIG. 7 is a left side view of the product tray of FIG. 1; and,
FIG. 8 is a right side view of the product tray of FIG. 1.

1 Claim, 4 Drawing Sheets



(56)

References Cited

U.S. PATENT DOCUMENTS

D377,583	S	*	1/1997	Burke, Jr.	D11/155
D395,392	S	*	6/1998	Lahm	D9/425
D549,457	S	*	8/2007	Dretzka	D3/304
D612,153	S	*	3/2010	Liao	D3/304
D627,645	S	*	11/2010	Ma	D9/456
D627,646	S	*	11/2010	Li	D9/456
D627,647	S	*	11/2010	Li	D9/456
D627,648	S	*	11/2010	He	D9/456
D627,649	S	*	11/2010	He	D9/456
D628,070	S	*	11/2010	Ma	D9/456
D628,071	S	*	11/2010	He	D9/456
D746,131	S	*	12/2015	Astorga	D9/425
D746,675	S	*	1/2016	Astorga	D9/425
D747,962	S	*	1/2016	Astorga	D9/425
D770,271	S	*	11/2016	McBride	D9/424
D808,806	S	*	1/2018	Campbell	D9/456
D811,213	S	*	2/2018	Pickard	D9/425
D813,672	S	*	3/2018	Doster	D9/456
D832,577	S	*	11/2018	Ogilvie	D3/304

* cited by examiner

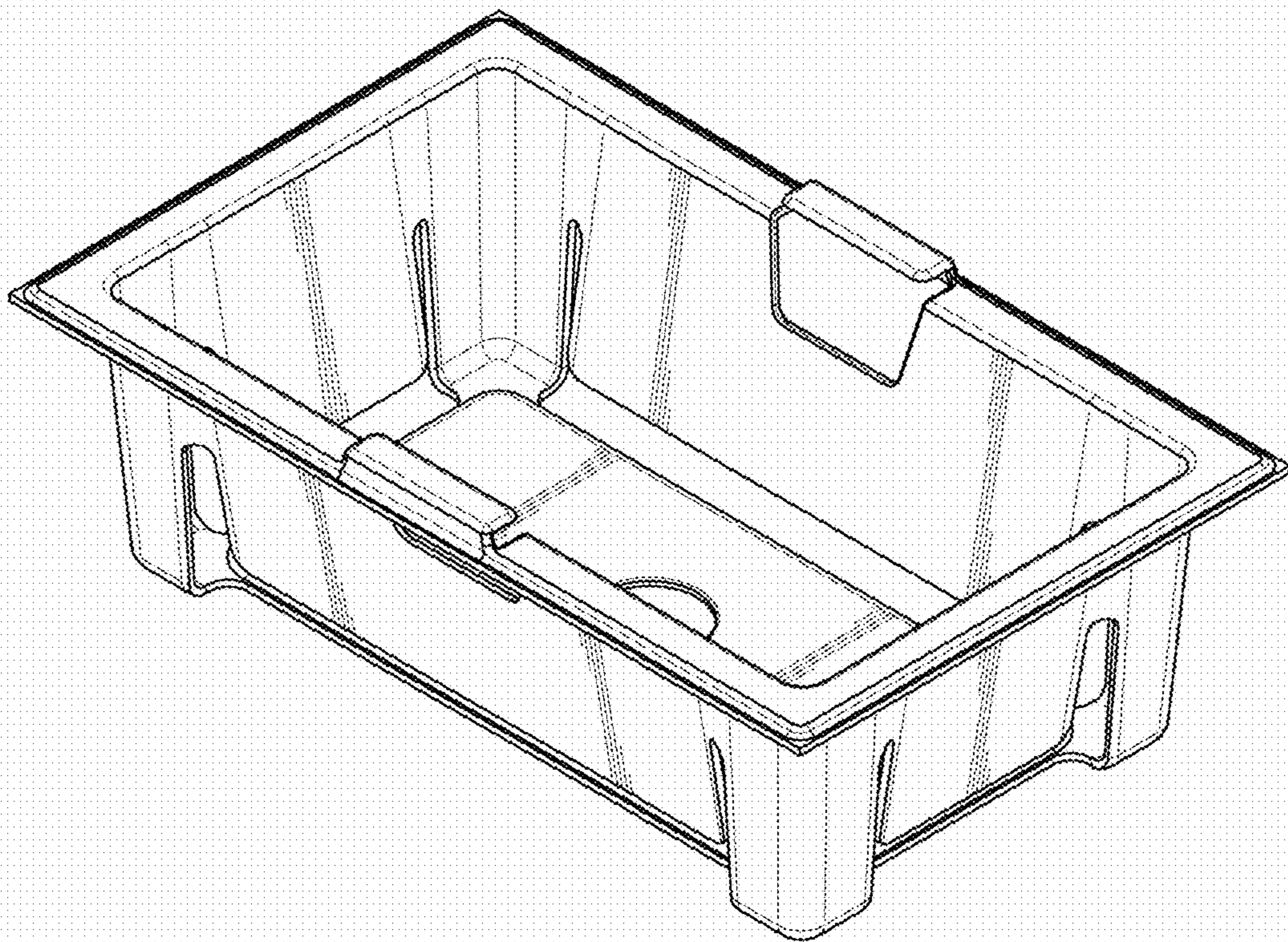


FIG. 1

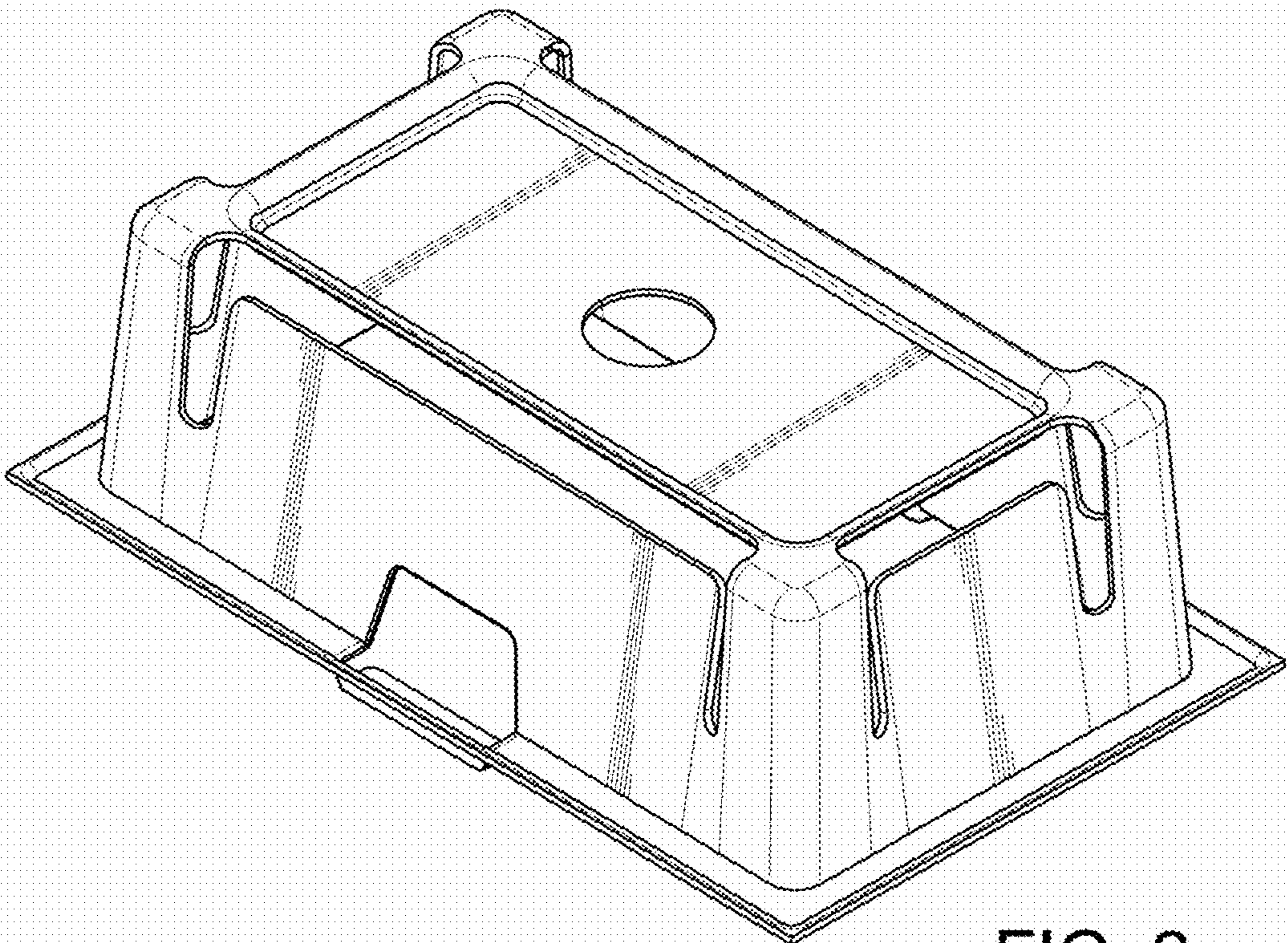


FIG. 2

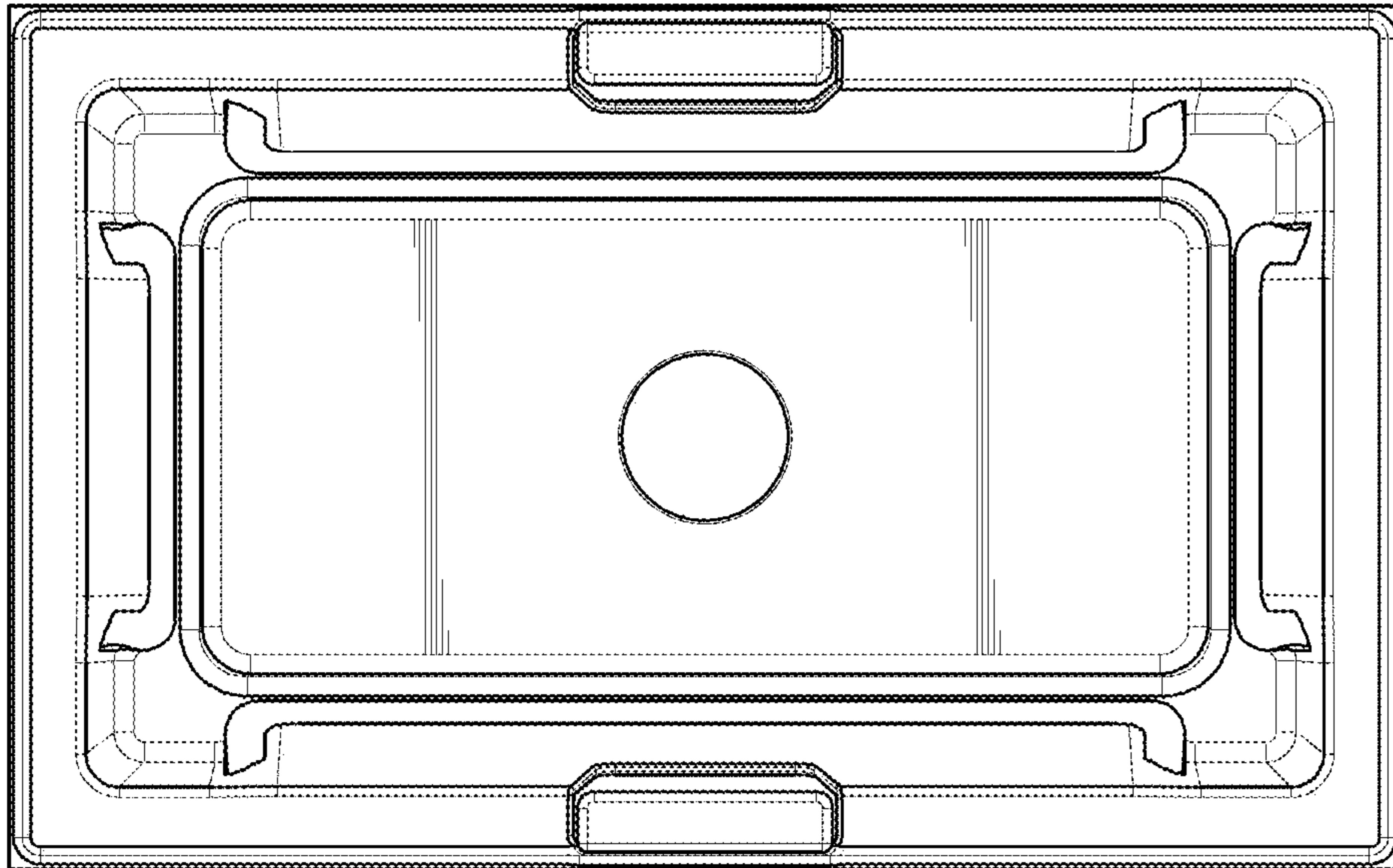


FIG. 3

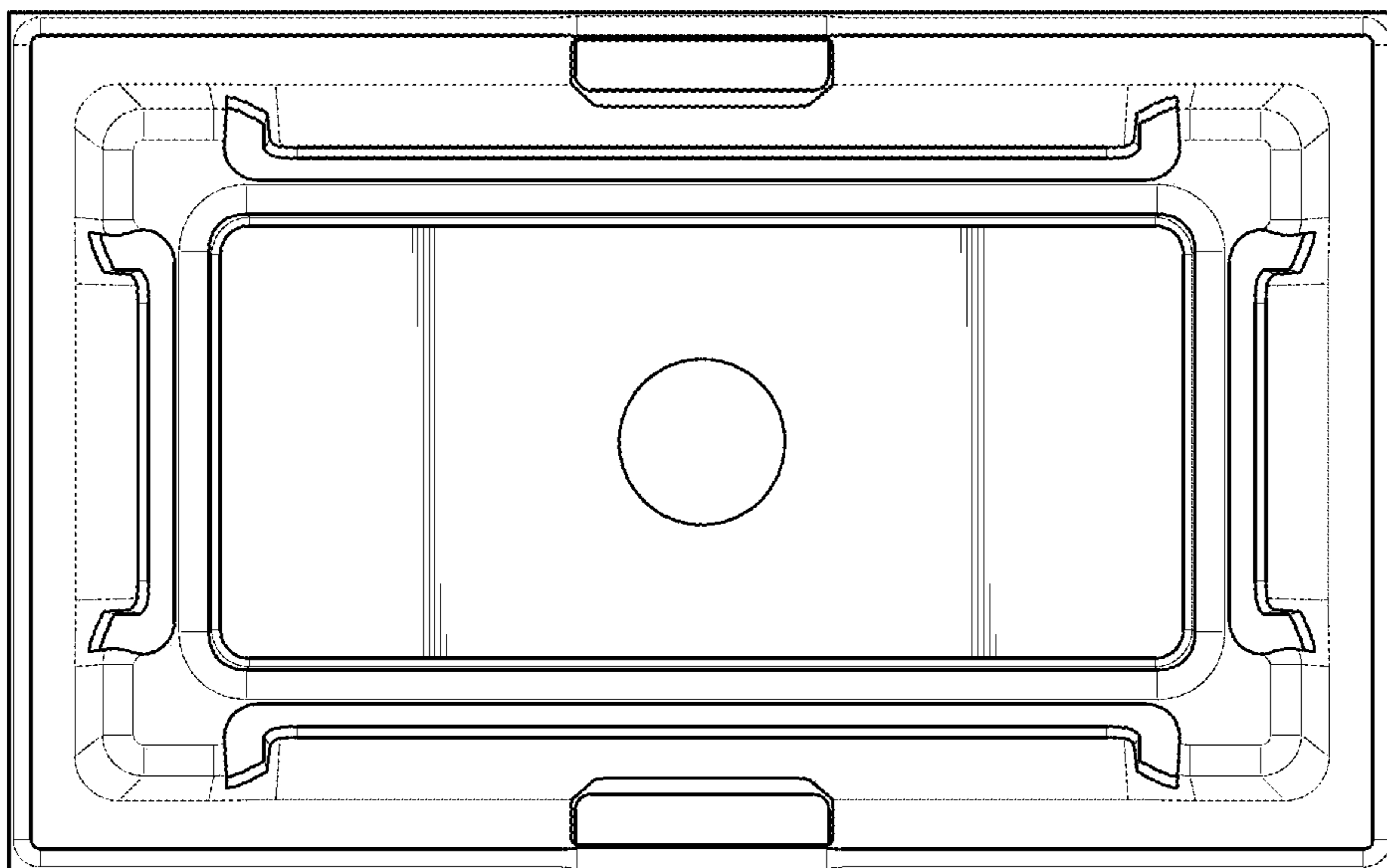


FIG. 4

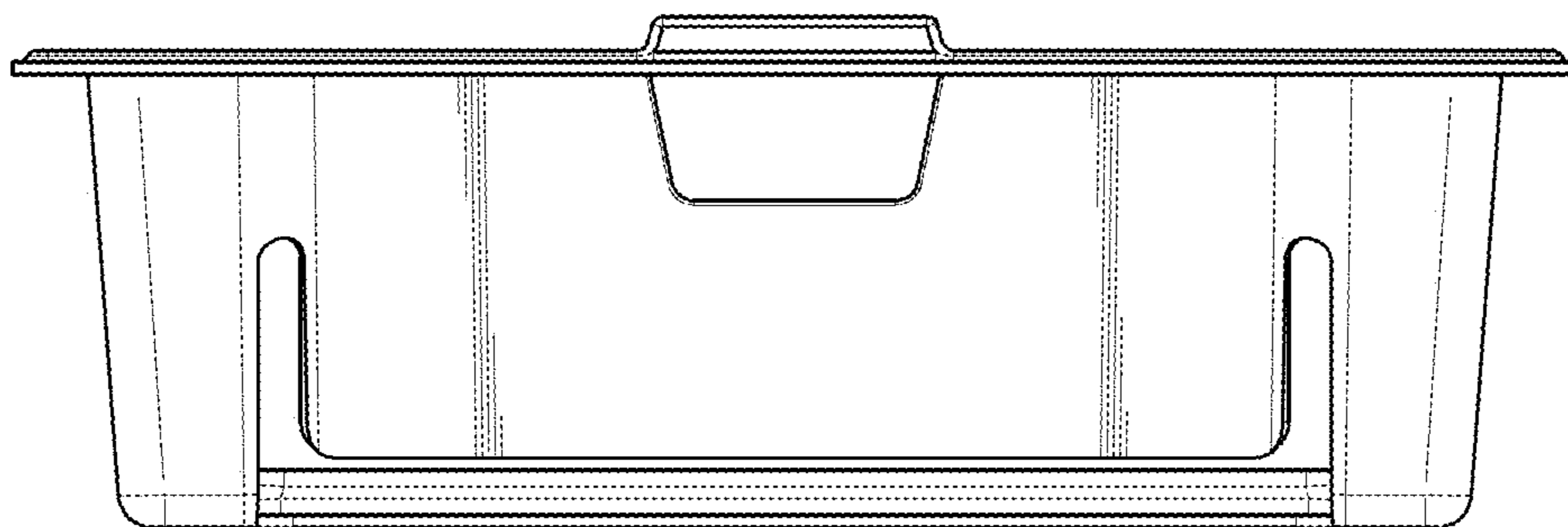


FIG. 5

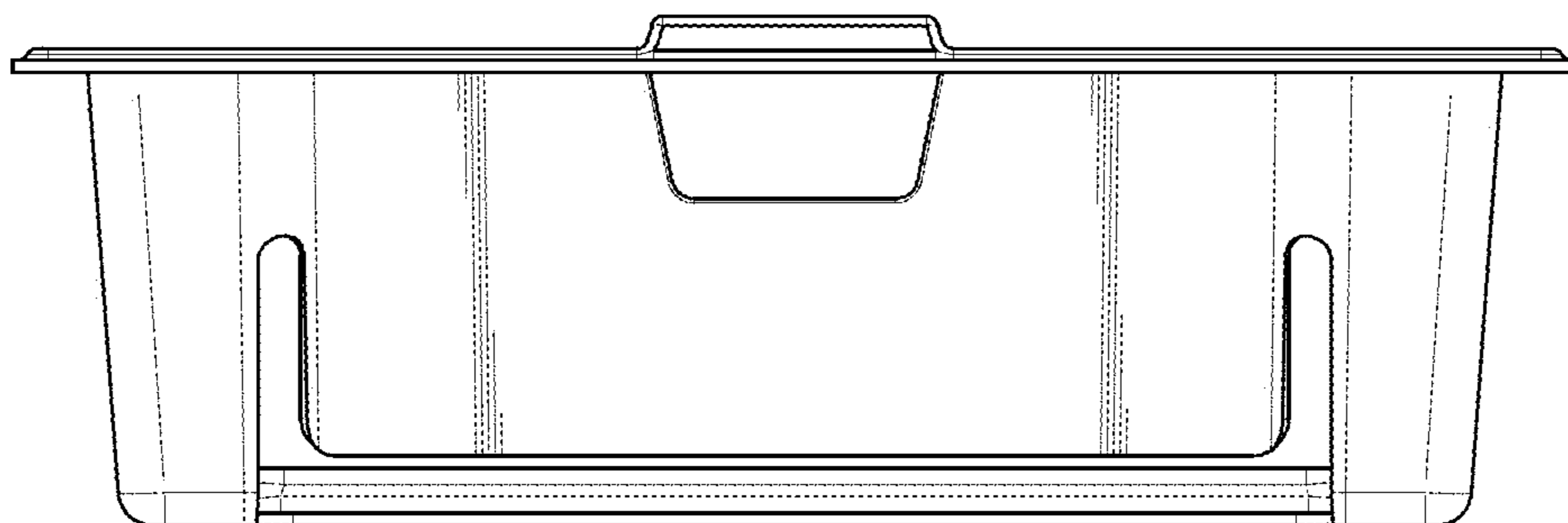


FIG. 6

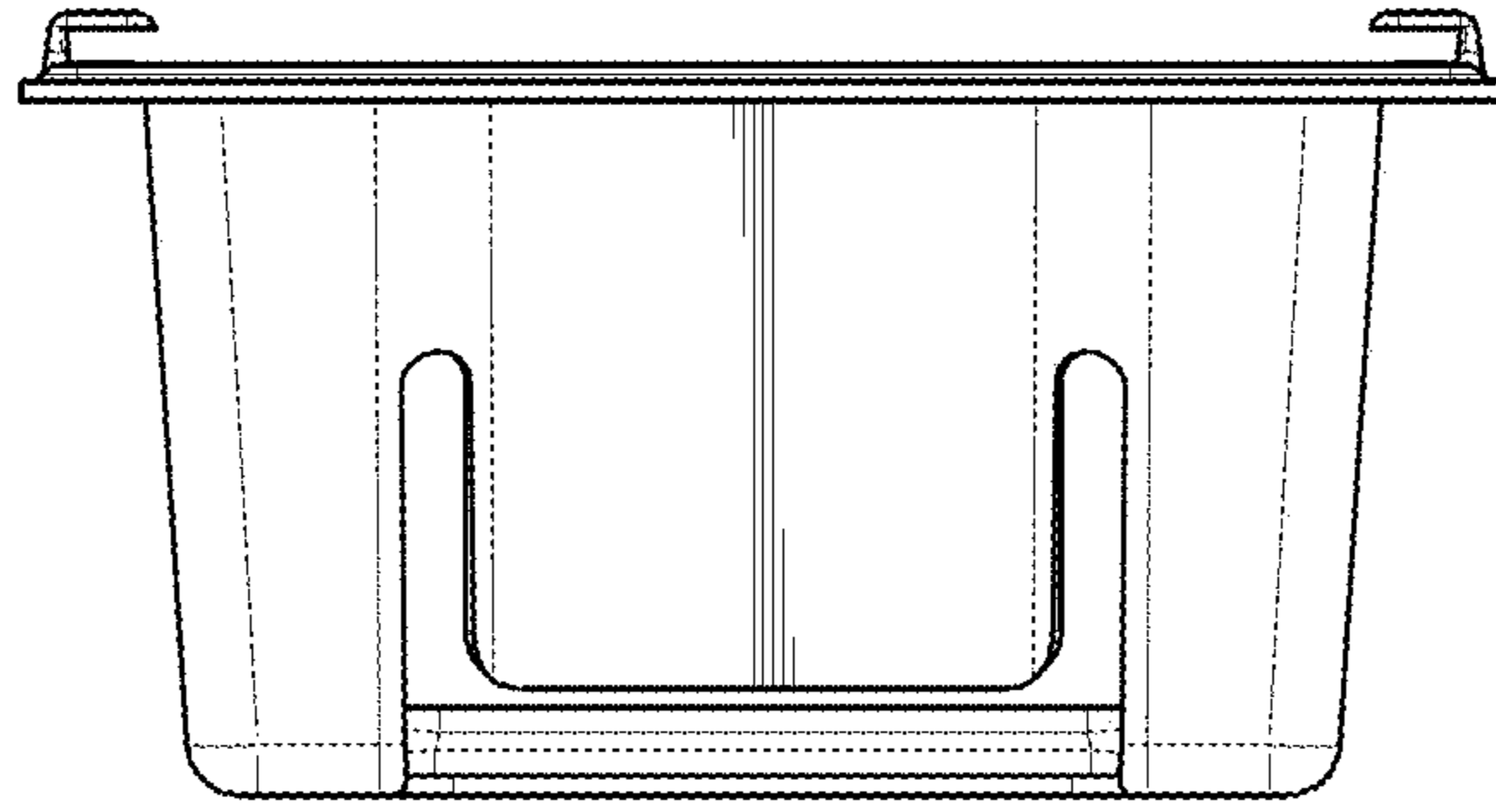


FIG. 7

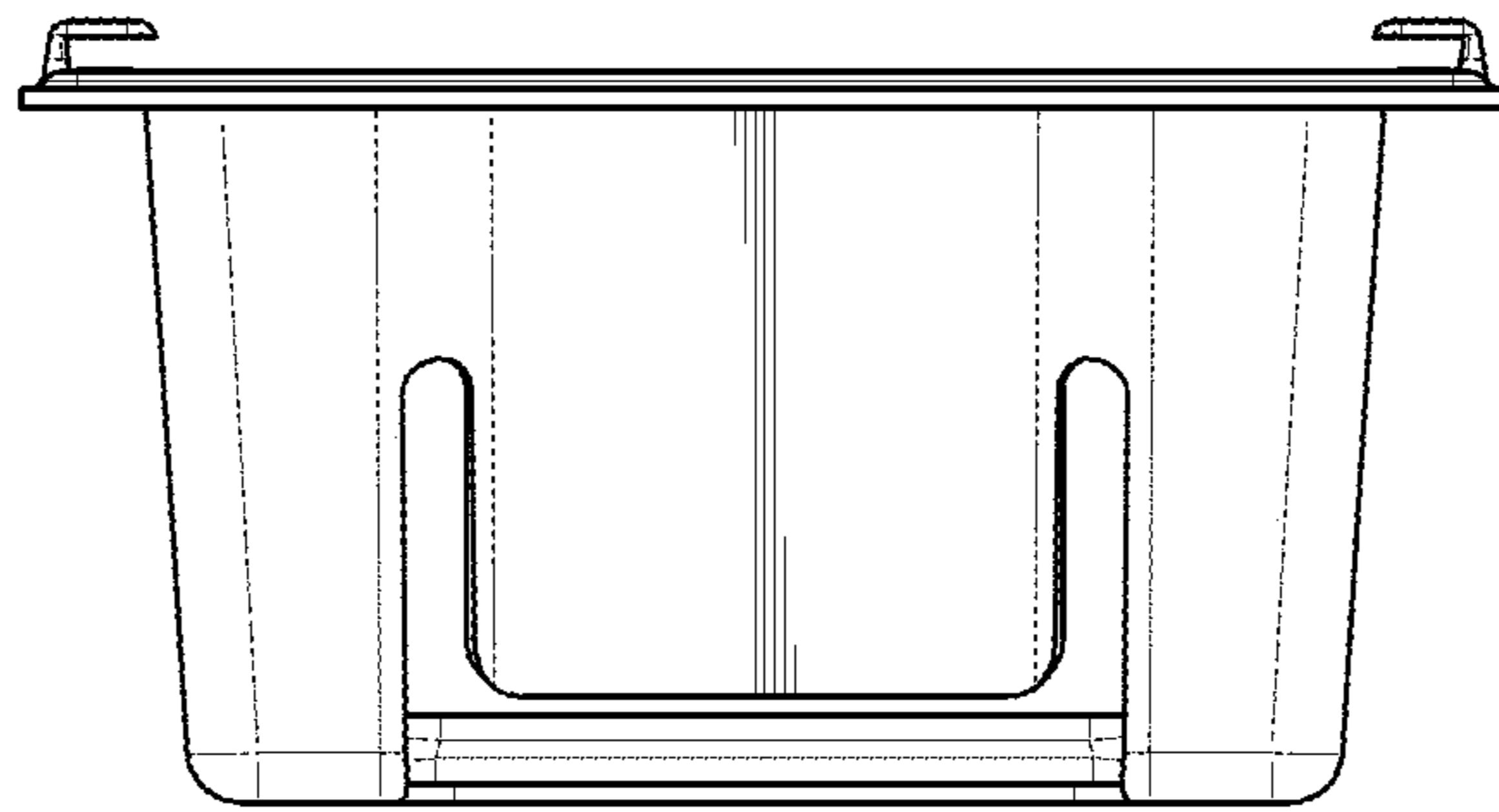


FIG. 8