



US00D885909S

(12) **United States Design Patent** (10) **Patent No.:** **US D885,909 S**
Franzone, Jr. et al. (45) **Date of Patent:** **** Jun. 2, 2020**

(54) **DISPLAY HEADER HOOK** D251,891 S * 5/1979 Solomon D6/315
D276,504 S * 11/1984 Moran D9/434
(71) Applicant: **ALLEN FIELD COMPANY, INC.,** D278,291 S * 4/1985 Gurule D6/328
Brightwaters, NY (US) D296,046 S * 6/1988 Marshall D6/315
4,766,683 A * 8/1988 Fast B65D 33/06
40/665
(72) Inventors: **Andrew Franzone, Jr.,** Bay Shore, NY D366,569 S * 1/1996 Coles D6/315
(US); **Robert Ahearn,** Massapequa, NY D376,263 S * 12/1996 Gouldson D6/315
(US); **Eric Seger,** Wantagh, NY (US) 5,732,921 A * 3/1998 Lemire A47F 5/0006
24/515

(73) Assignee: **ALLEN FIELD COMPANY, INC.,**
Brightwaters, NY (US)

(Continued)

(**) Term: **15 Years**

FOREIGN PATENT DOCUMENTS

GB 2065310 * 8/1997

(21) Appl. No.: **29/688,252**

OTHER PUBLICATIONS

(22) Filed: **Apr. 19, 2019**

Display Hook for Retail: Announced 2020 [online]. Site Visited
[Feb. 11, 2020]. Available from Internet URL: <https://www.allenfield.com/product/slide-on-header-hook/>.*

Related U.S. Application Data

(Continued)

(63) Continuation-in-part of application No. 29/626,719,
filed on Nov. 20, 2017, now Pat. No. Des. 856,144.

(51) **LOC (12) Cl.** **09-07**

(52) **U.S. Cl.**
USPC **D9/455**

(58) **Field of Classification Search**
USPC D6/21, 315, 319, 320, 323, 325, 512,
D6/524, 550, 553, 681.1, 709; D9/415,
D9/434, 435, 436, 439, 440, 446, 447,
D9/455, 457, 722; D3/10, 221, 240, 318;
D8/10, 70.1, 71, 101, 339, 349, 354, 356,
D8/360.1, 376, 377, 378, 380, 381, 382,
D8/383, 385; D7/600.1, 601

CPC A45F 5/102; A45F 5/1026; A45F
2005/1033; A47F 7/10; A47F 7/24; A47F
7/26; A47G 25/00; B65D 65/00

See application file for complete search history.

Primary Examiner — Catherine S Posthauer
(74) *Attorney, Agent, or Firm* — Robert L. Epstein;
Epstein Drangel LLP

(57) **CLAIM**

The ornamental design for a display header hook, as shown
and described.

DESCRIPTION

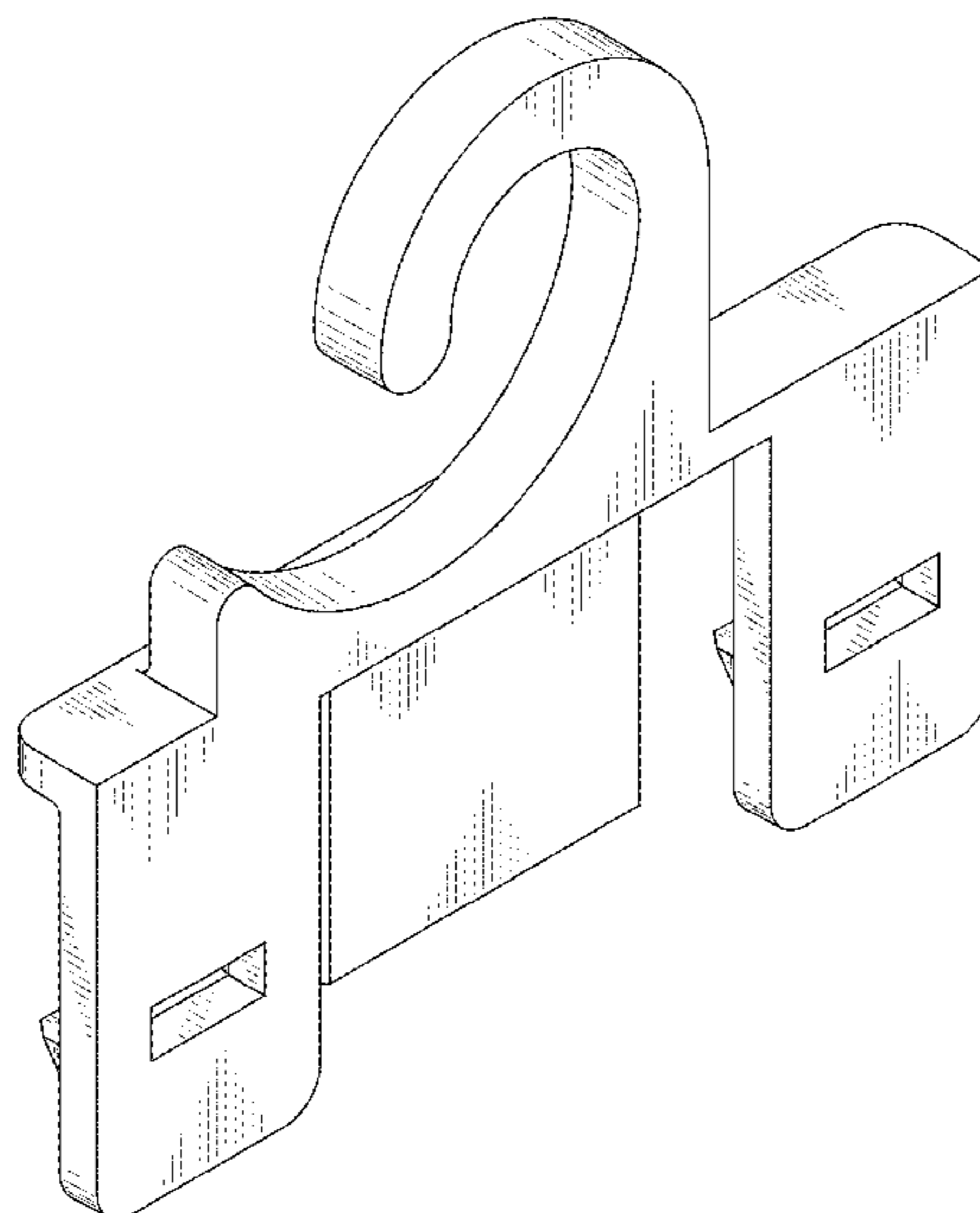
FIG. 1 is a perspective view of the display header hook
showing the front, left side and top of the design;
FIG. 2 is a front elevation view thereof;
FIG. 3 is a back elevation view thereof;
FIG. 4 is an elevation view of the left side thereof;
FIG. 5 is an elevation view of the right side thereof;
FIG. 6 is a top plan view thereof; and,
FIG. 7 is a bottom plan view thereof.

(56) **References Cited**

U.S. PATENT DOCUMENTS

D193,256 S * 7/1962 Silver D6/315
D243,055 S * 1/1977 Blumberg D6/315

1 Claim, 5 Drawing Sheets



(56)

References Cited

U.S. PATENT DOCUMENTS

5,735,395 A * 4/1998 Lo B65D 33/14
 206/278
 D455,348 S * 4/2002 Fludd 294/137
 D466,014 S * 11/2002 Le Roux D9/434
 6,511,114 B1 * 1/2003 Fludd A45F 5/1026
 294/159
 D483,668 S * 12/2003 Le Roux D9/434
 D489,618 S * 5/2004 Startek D9/434
 D503,092 S * 3/2005 Feibelman D9/455
 D538,179 S * 3/2007 Horton D9/752
 D548,073 S * 8/2007 Peaslee D9/434
 D560,372 S * 1/2008 Lee D6/315
 D672,159 S * 12/2012 Lee D6/315
 D709,293 S * 7/2014 Collings D6/323
 D711,658 S * 8/2014 Pelton D6/315
 D715,635 S * 10/2014 Brown D9/415
 D718,063 S * 11/2014 Lee D6/315
 D752,867 S * 4/2016 Morszeck D3/318

D757,454 S * 5/2016 Alesi D6/315
 D782,832 S * 4/2017 Macias D6/315
 D790,233 S * 6/2017 Jefferson D6/315
 D856,144 S * 8/2019 Ahearn D9/455
 D861,359 S * 10/2019 Sung D6/319
 D866,200 S * 11/2019 Losness D6/315
 2013/0221040 A1 * 8/2013 Wright A47G 25/005
 223/85
 2015/0021367 A1 * 1/2015 Schaffer A47G 25/36
 223/85
 2017/0065068 A1 * 3/2017 Martinez A45F 5/1026
 2019/0150637 A1 * 5/2019 Ahearn A47F 7/28

OTHER PUBLICATIONS

Display Hook: Announced 2020 [online]. Site Visited [Feb. 11, 2020]. Available from Internet URL: <https://www.allenfield.com/product-line/hook-series/>. *

* cited by examiner

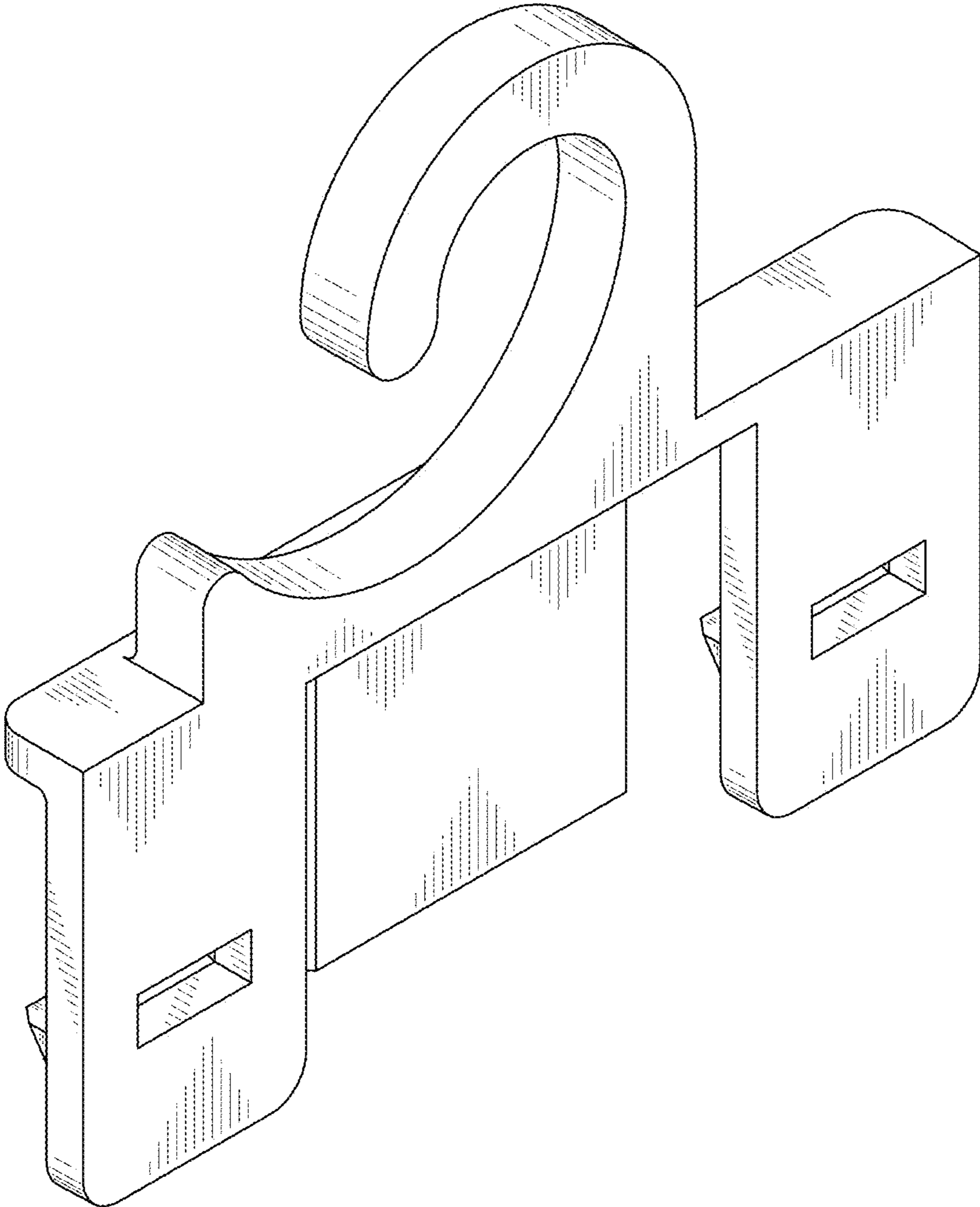


FIG. 1

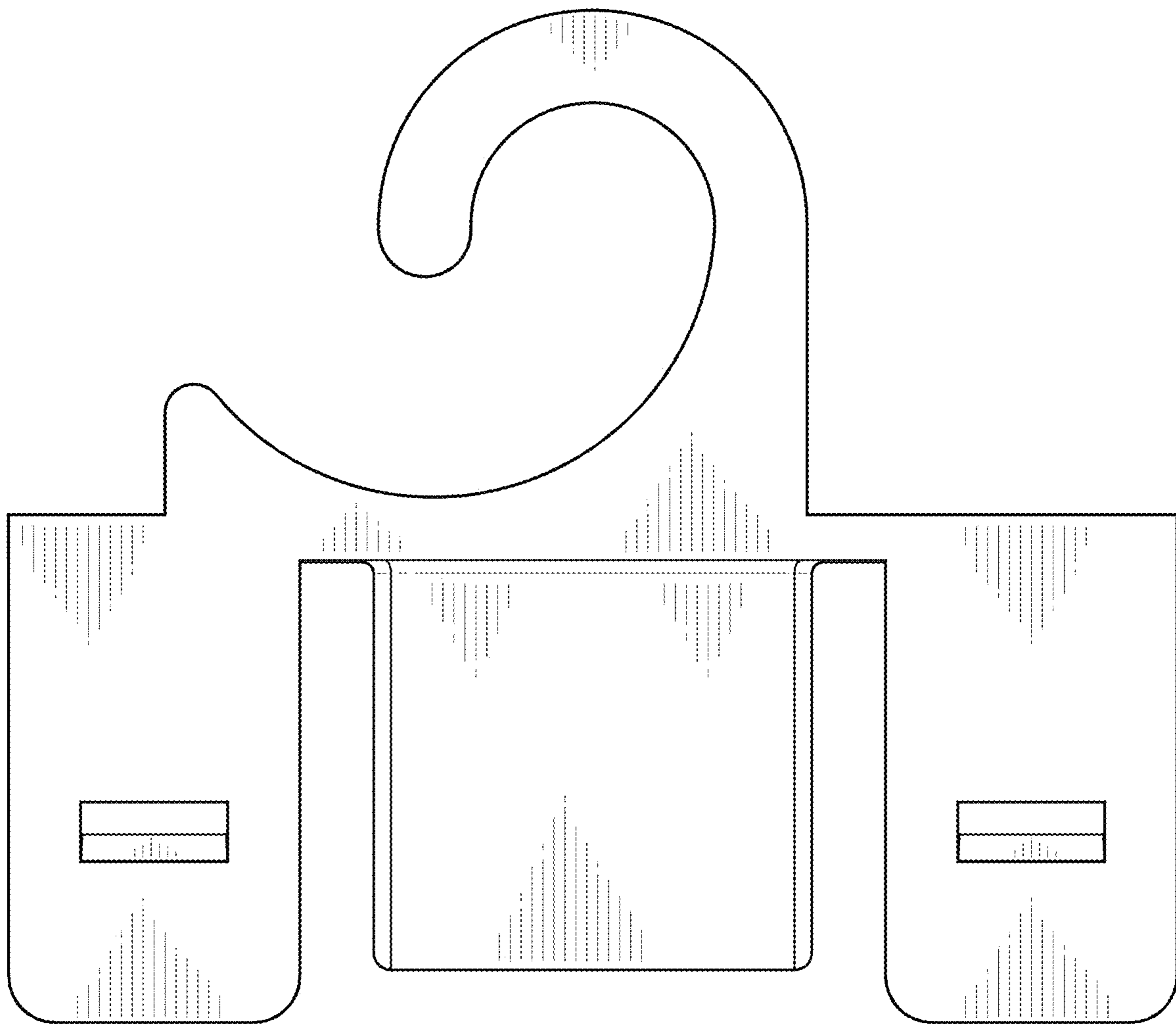


FIG. 2

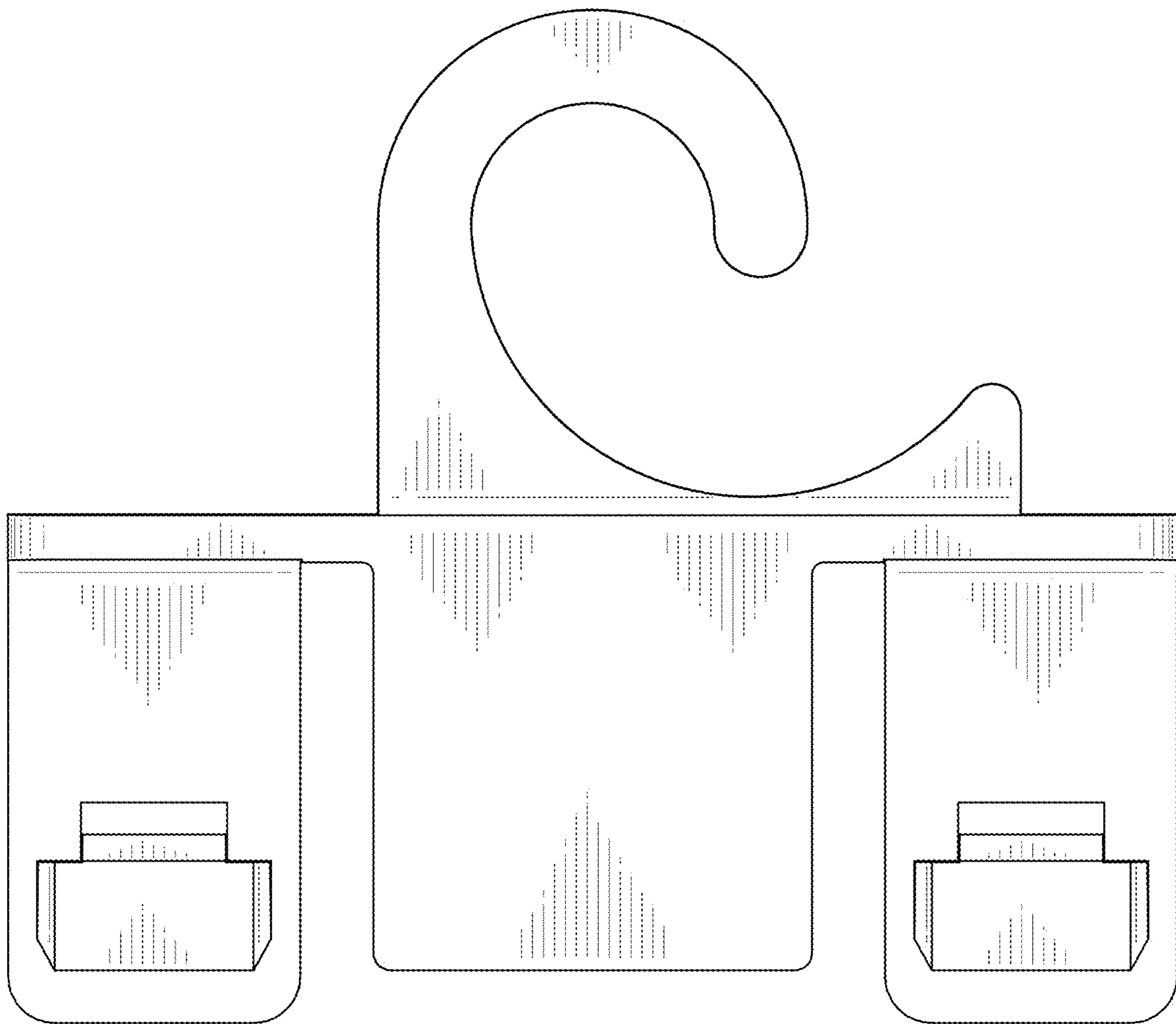


FIG. 3

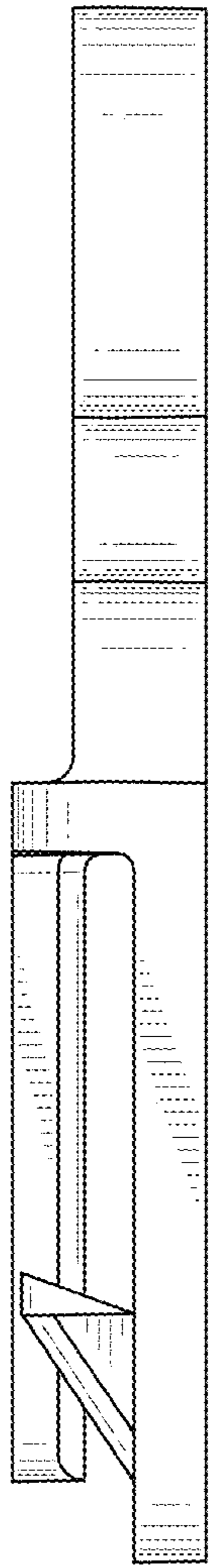


FIG. 4

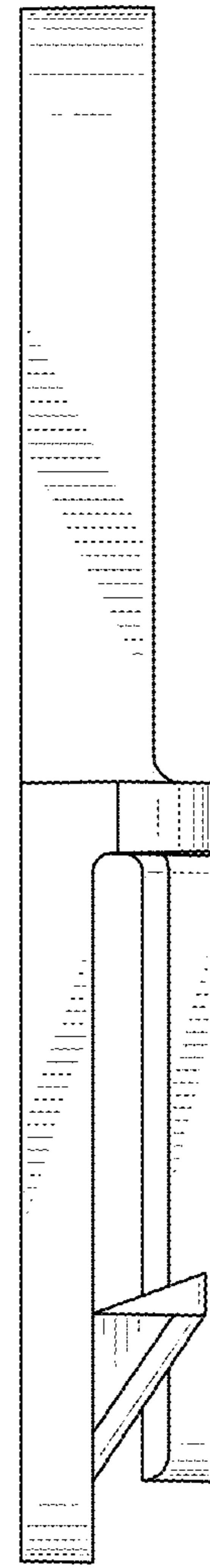


FIG. 5

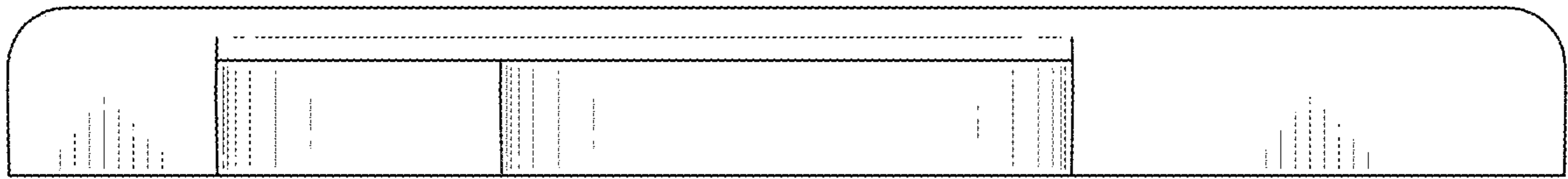


FIG. 6

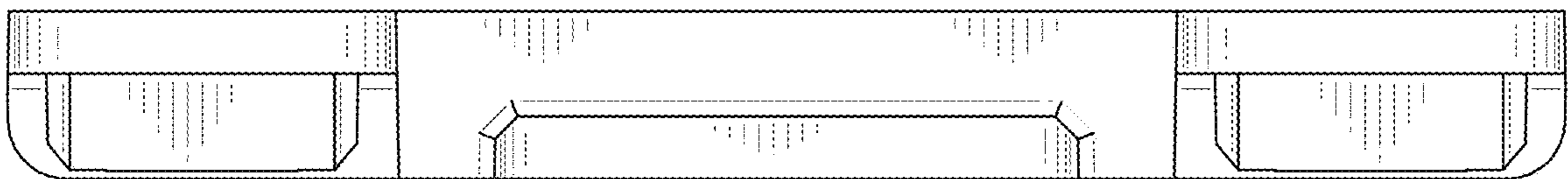


FIG. 7