



US00D885907S

(12) **United States Design Patent** (10) **Patent No.:** **US D885,907 S**
Trachtenberg et al. (45) **Date of Patent:** **** Jun. 2, 2020**

- (54) **EXOSKELETON FOR PACKAGING**
- (71) Applicants: **Marc Trachtenberg**, New York, NY (US); **Francois Gariepy**, Westmount (CA)
- (72) Inventors: **Marc Trachtenberg**, New York, NY (US); **Francois Gariepy**, Westmount (CA)
- (73) Assignee: **Videri Inc.**, New York, NY (US)
- (**) Term: **15 Years**
- (21) Appl. No.: **29/592,107**
- (22) Filed: **Jan. 26, 2017**
- (51) **LOC (12) Cl.** **09-07**
- (52) **U.S. Cl.**
USPC **D9/455**
- (58) **Field of Classification Search**
USPC D3/272, 273, 321, 323; D6/300; D9/414, 415, 418, 429, 425, 432-434, D9/455, 456, 457, 499; D14/126, 217, D14/238.1, 239, 250, 251, 440, 447; D25/2, 60, 61, 138; D34/38
CPC .. H04N 5/64; G09F 9/30; A45C 13/02; A45C 11/00; A45C 2011/002; A45C 2011/003; A45C 3/02; B65D 19/00; A45F 2200/0516; A45F 2200/0525; A45F 5/02
See application file for complete search history.

- 8,281,924 B2 * 10/2012 Westrup A45C 3/02 206/320
- D686,498 S * 7/2013 Rego D9/456
- D697,322 S * 1/2014 Noel D6/300
- D699,447 S * 2/2014 Pirayesh D6/300
- D714,643 S * 10/2014 Houdijk D9/456
- D761,236 S * 7/2016 Wengreen D14/238.1

(Continued)

FOREIGN PATENT DOCUMENTS

- WO WO-9702569 A1 * 1/1997 E05B 73/0023
- Primary Examiner* — Catherine S Posthauer
- (74) *Attorney, Agent, or Firm* — Pryor Cashman LLP

(57) **CLAIM**

The ornamental design for an exoskeleton for packaging, substantially as shown and described.

DESCRIPTION

FIG. 1 is a top perspective view of an exoskeleton for packaging showing our new design; FIG. 2 is a front view thereof; FIG. 3 is a back view thereof; FIG. 4 is a right side view thereof; FIG. 5 is a left side view thereof; FIG. 6 is a top plan view thereof; FIG. 7 is a bottom plan view thereof; FIG. 8 is an enlargement view of the interior taken from portion "8" on FIG. 1; FIG. 9 is an enlargement view of the interior taken from portion "9" on FIG. 1; FIG. 10 is an enlargement view of the exterior taken from portion "10" on FIG. 1; and, FIG. 11 is an enlargement view of the exterior taken from portion "11" on FIG. 1. The broken lines represent parts of the article, boundaries of the claim, as well as the designation of enlargement views. None of the broken lines form part of the claim.

1 Claim, 8 Drawing Sheets

(56) **References Cited**
U.S. PATENT DOCUMENTS

- D300,285 S * 3/1989 Karklins D6/300
- D435,351 S * 12/2000 Kuo D6/300
- D453,871 S * 2/2002 Perry D34/38
- D489,982 S * 5/2004 Ueda D9/456
- D588,711 S * 3/2009 Ryba D25/60
- 8,132,670 B1 * 3/2012 Chen A45C 11/00 206/320
- 8,134,651 B1 * 3/2012 Reid H04N 5/64 312/7.2

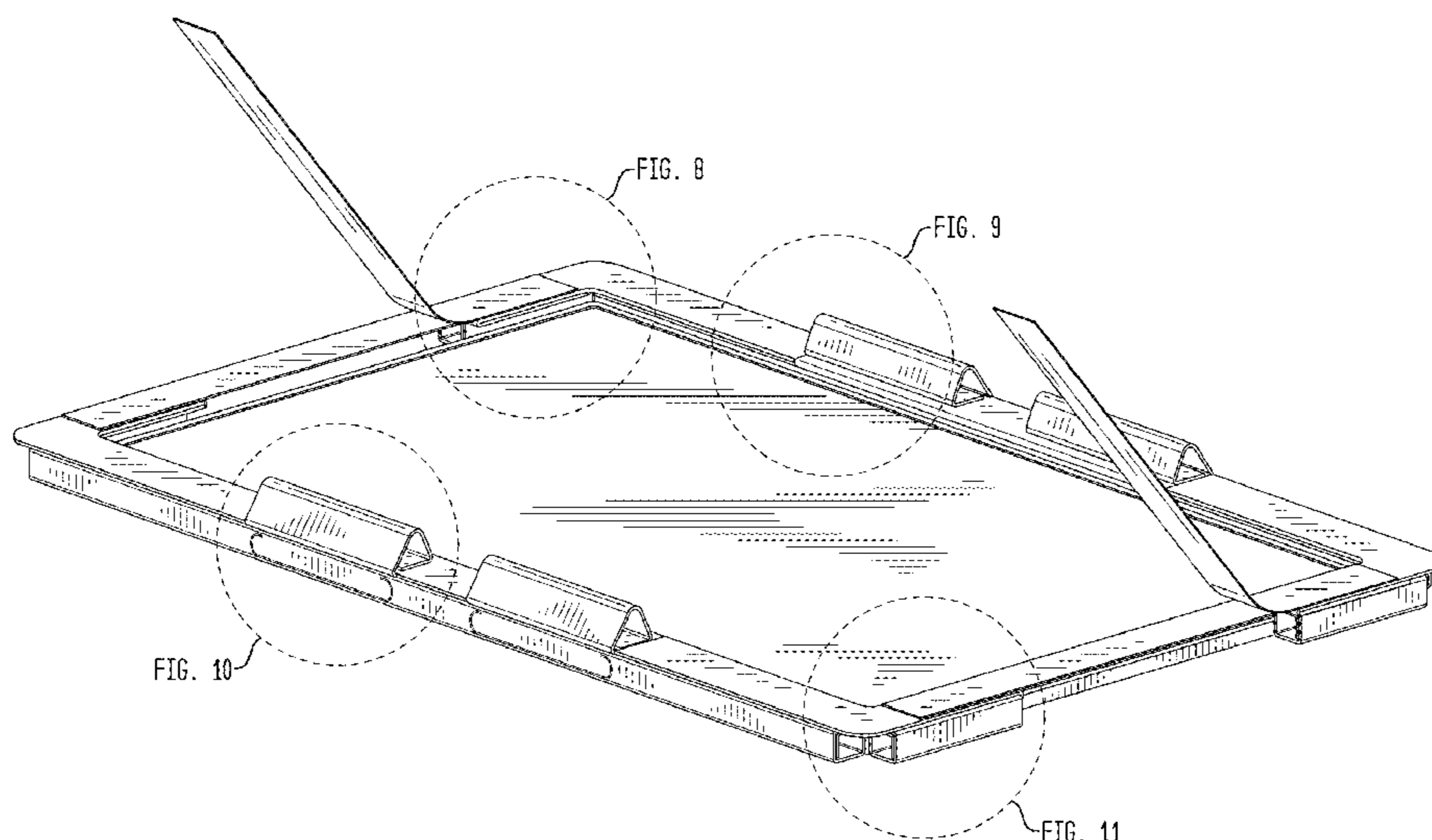


FIG. 1

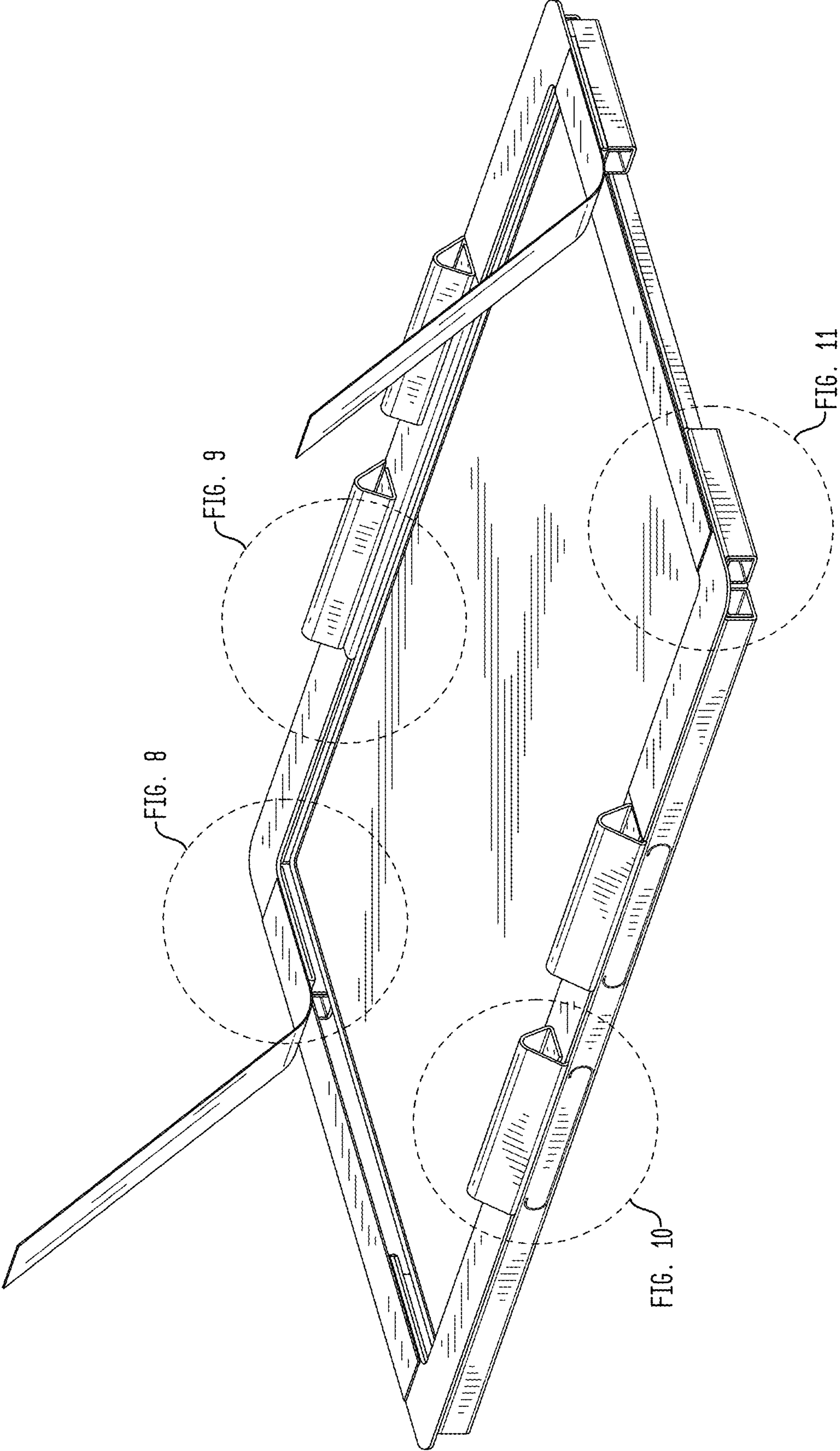


FIG. 2

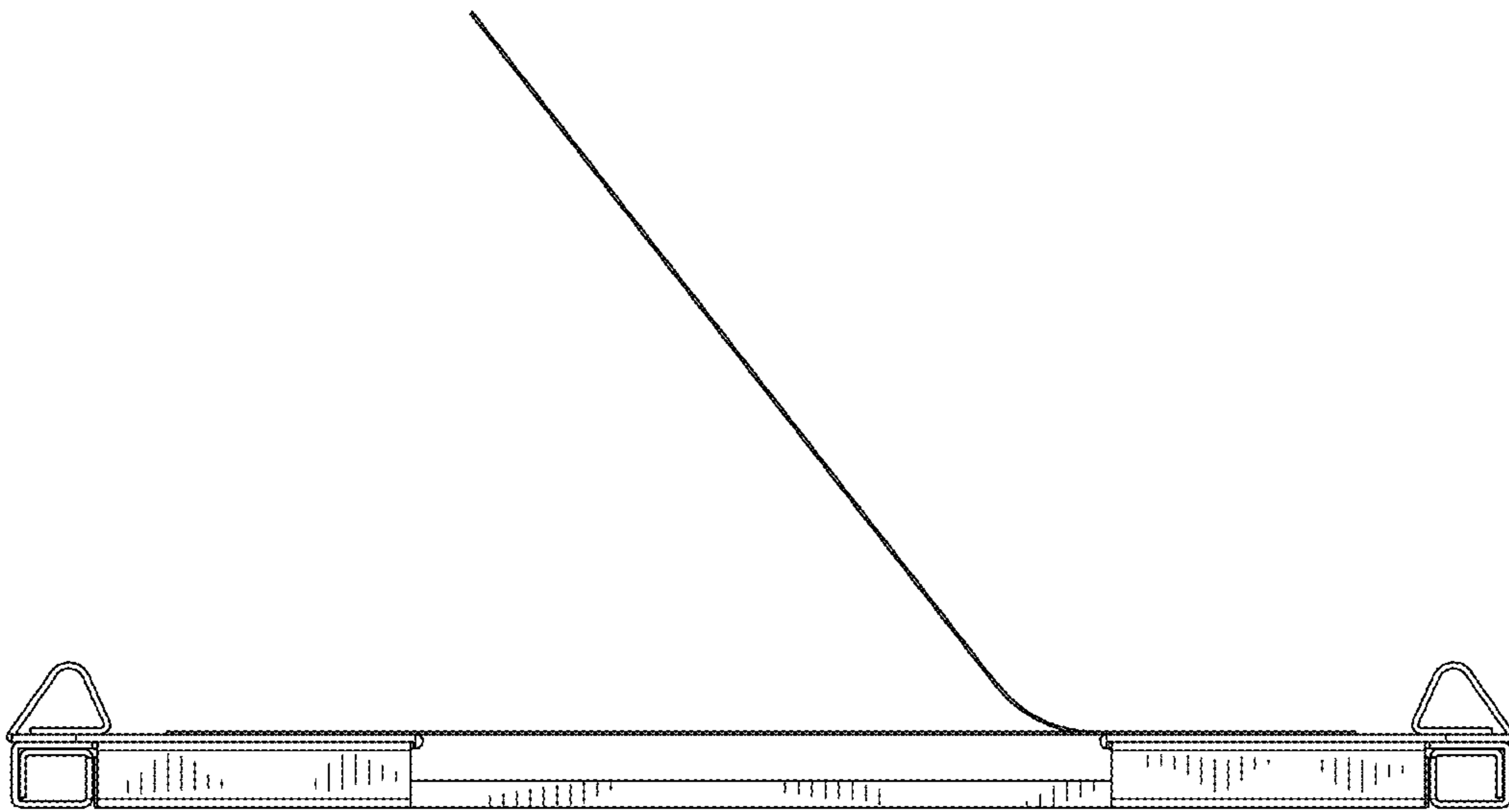


FIG. 3

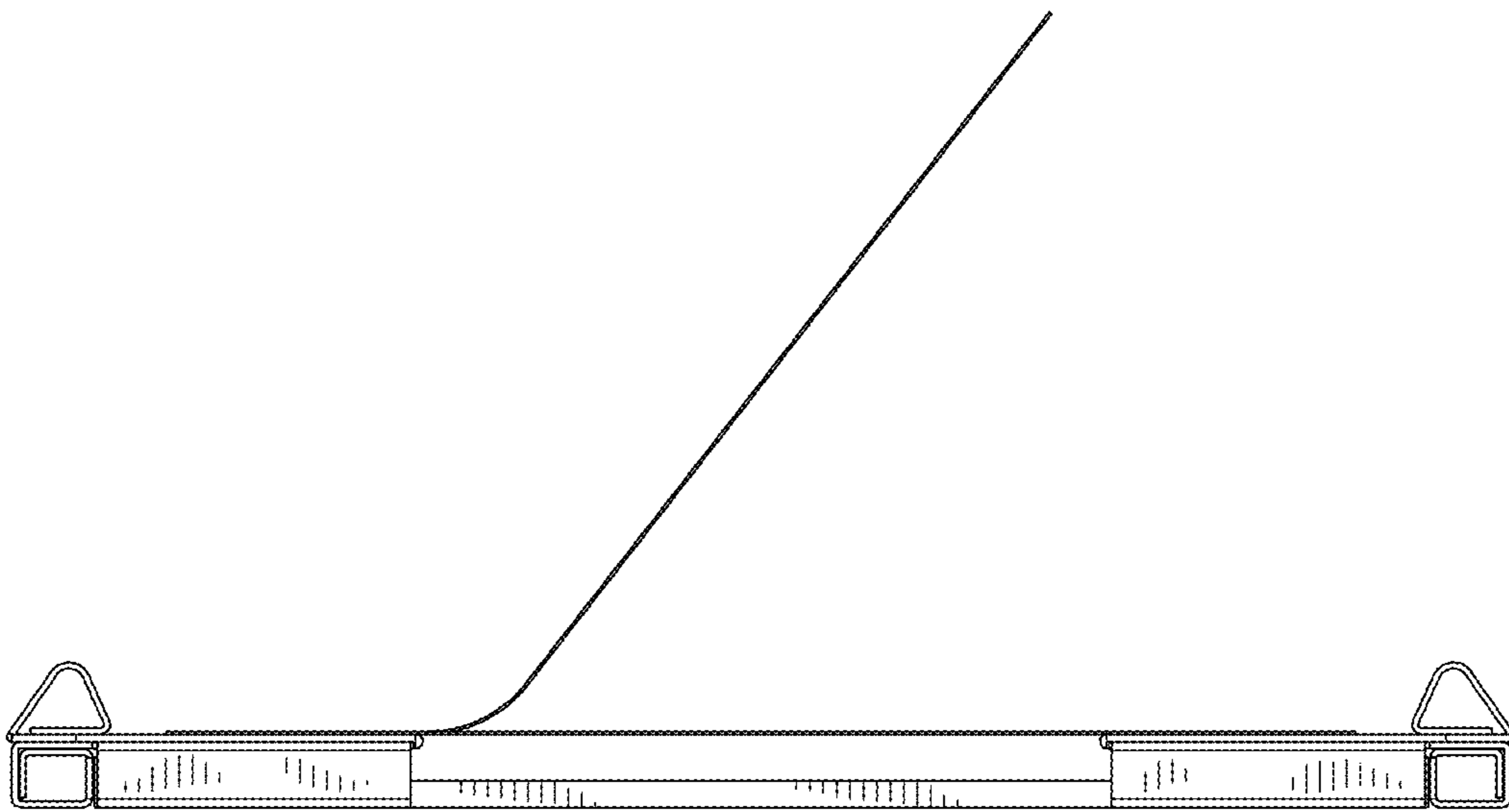


FIG. 4

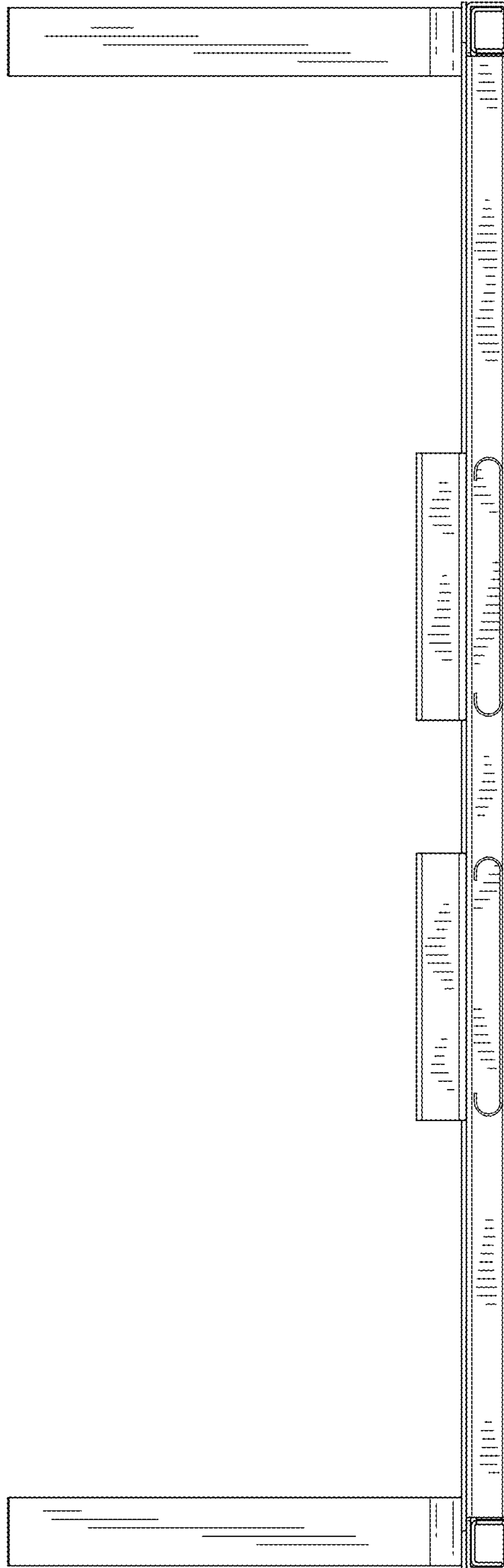


FIG. 5

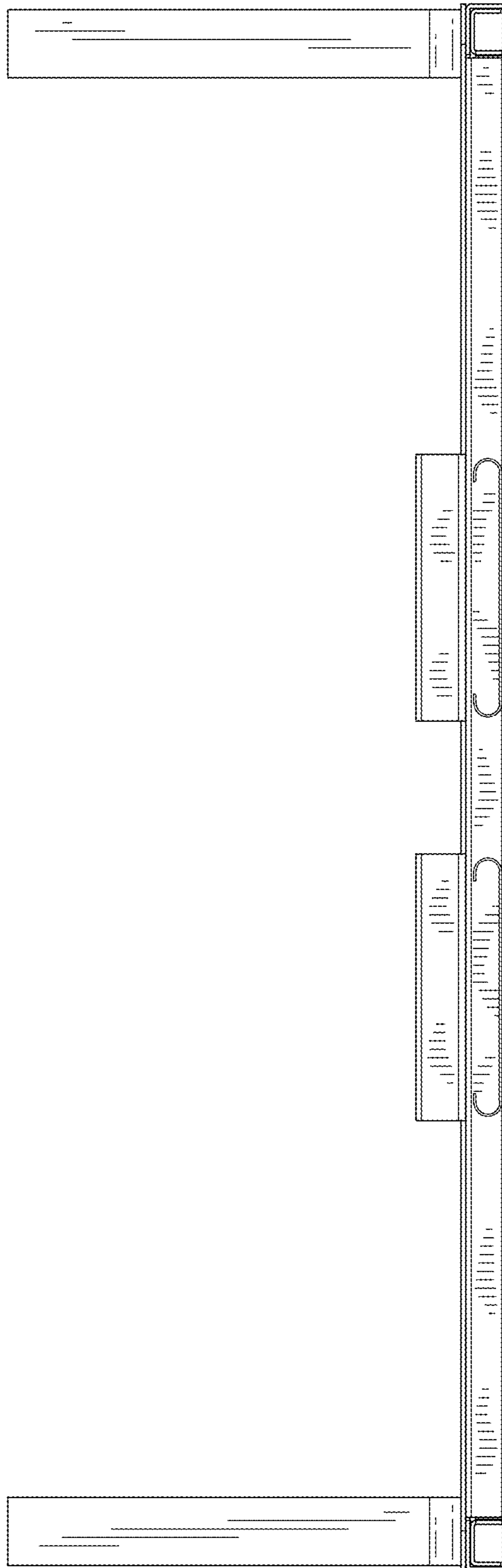


Fig. 6

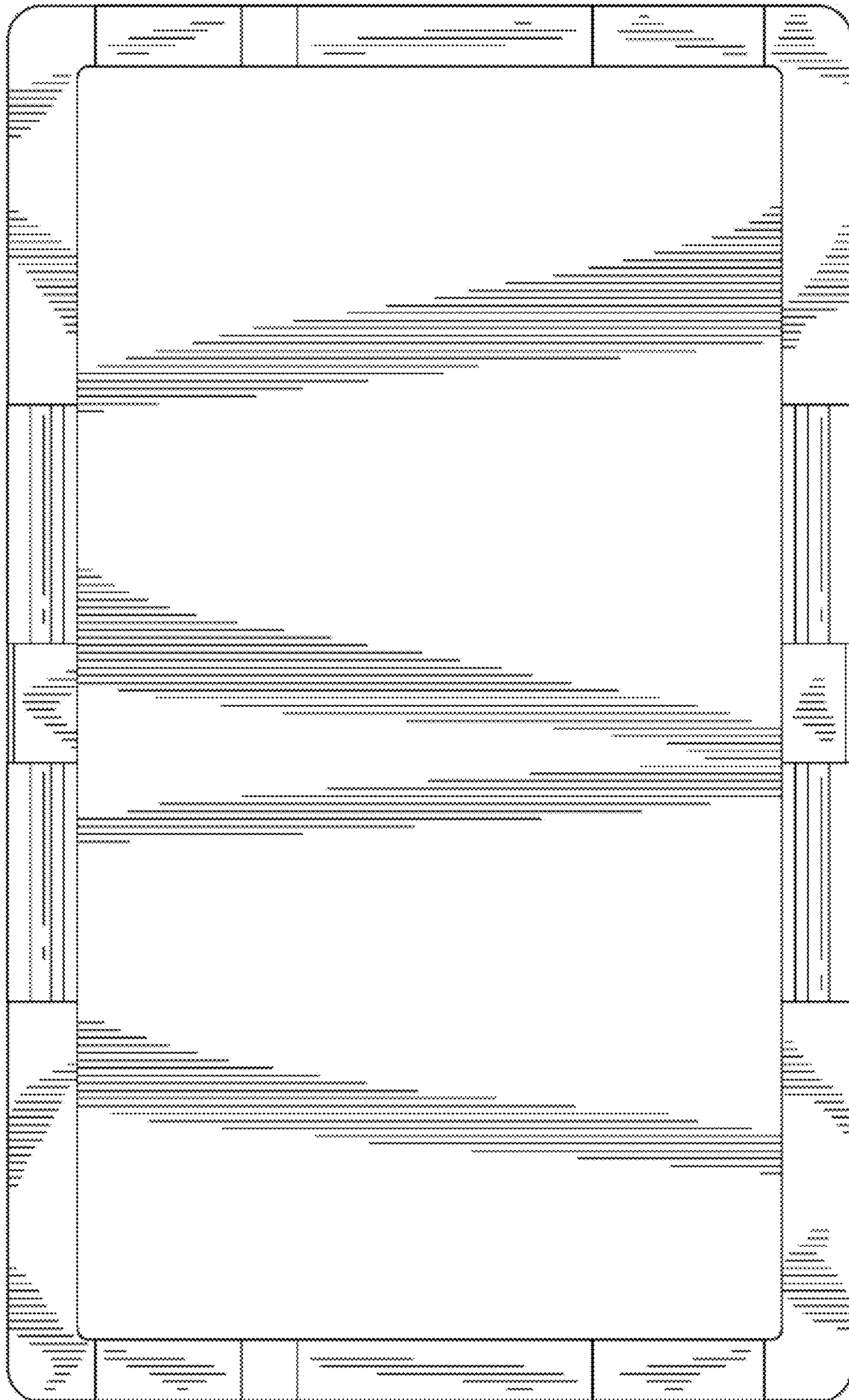


Fig. 7

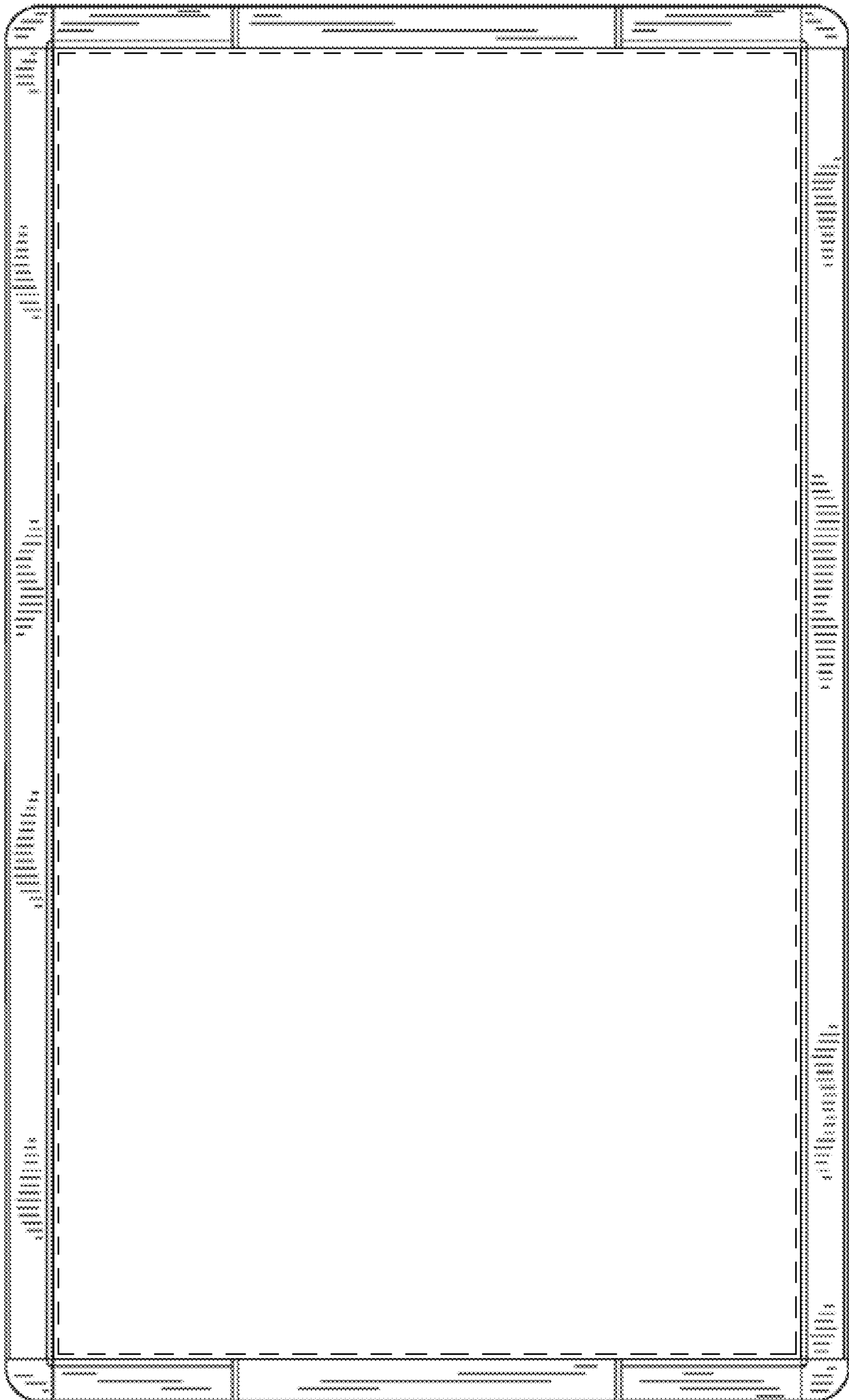


FIG. 8

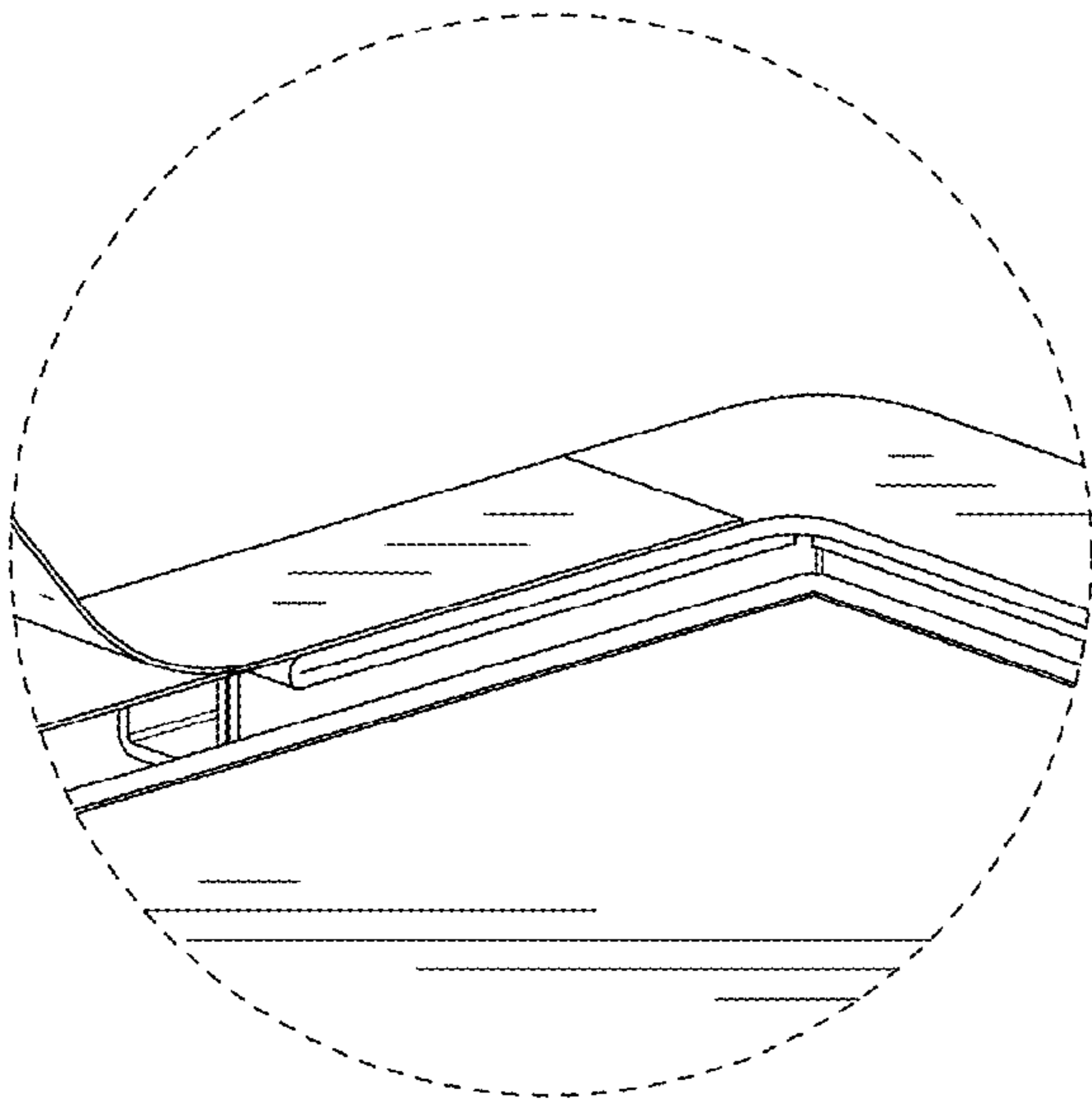


FIG. 9

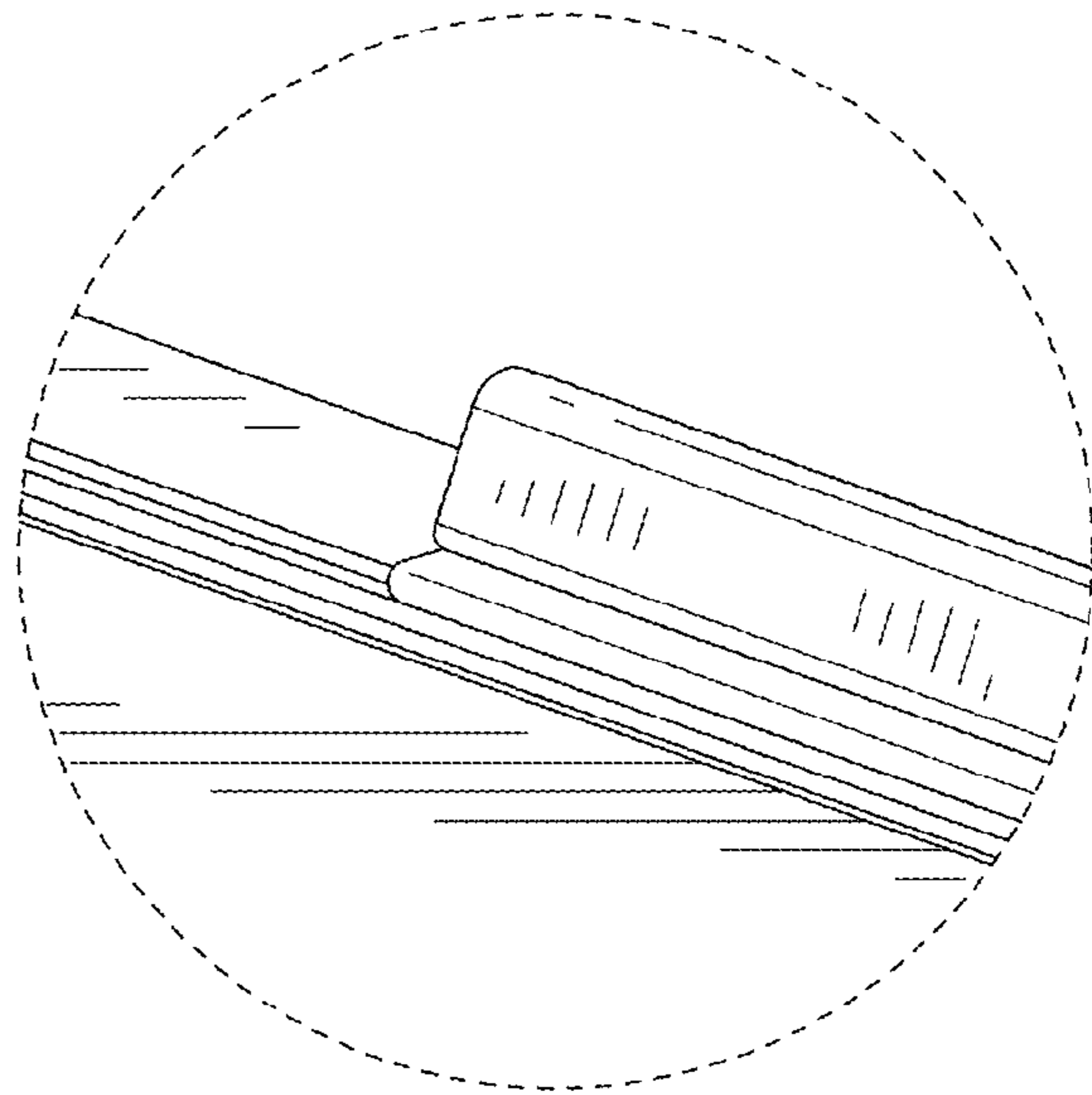


FIG. 10

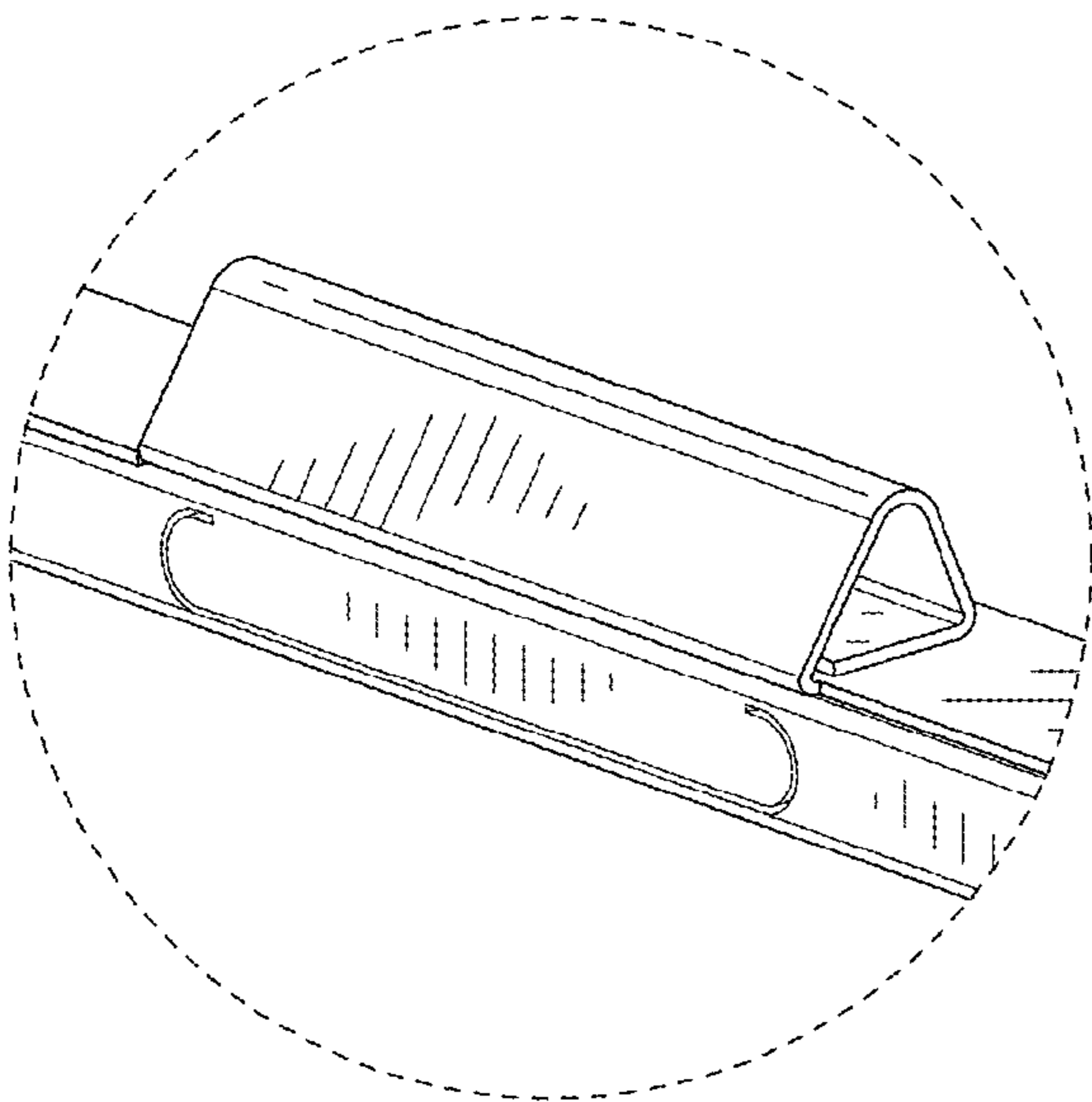


FIG. 11

