



US00D885905S

(12) **United States Design Patent** (10) **Patent No.:** **US D885,905 S**  
**Neputy** (45) **Date of Patent:** **\*\* Jun. 2, 2020**

(54) **CLOSURE**  
(71) Applicant: **Silgan White Cap LLC**, Downers Grove, IL (US)  
(72) Inventor: **Darren Neputy**, Palos Hills, IL (US)  
(73) Assignee: **Silgan White Cap LLC**, Downers Grove, IL (US)  
(\*\*) Term: **15 Years**  
(21) Appl. No.: **29/680,839**  
(22) Filed: **Feb. 20, 2019**

D96,766 S 9/1935 Kronman  
D99,274 S \* 4/1936 Fleisch ..... D9/453  
D99,327 S 4/1936 Howie, Jr.  
D106,187 S \* 9/1937 Fleisch ..... D9/453  
D136,437 S \* 10/1943 Tatro ..... D9/453  
D136,438 S \* 10/1943 Tatro ..... D9/453  
D136,439 S 10/1943 Tatro  
D136,440 S \* 10/1943 Tatro ..... D9/453  
D136,441 S \* 10/1943 Tatro ..... D9/453  
D153,956 S 5/1949 Lay  
D202,227 S 9/1965 Amburgey et al.  
D212,463 S 10/1968 Vanderhyde et al.  
D318,804 S \* 8/1991 Ochs ..... D9/453

(Continued)

**OTHER PUBLICATIONS**

Silgan.Three Trending Developments in Plastic Closures in 2018. No date specified. <URL:https://silgancls.com/trending-developments-in-plastic-closures/>. (Year: 0).\*

(Continued)

*Primary Examiner* — Darcey E Gottschalk  
(74) *Attorney, Agent, or Firm* — Reinhart Boerner Van Deuren s.c.

**Related U.S. Application Data**

(62) Division of application No. 29/587,611, filed on Dec. 14, 2016.  
(51) **LOC (12) Cl.** ..... **09-07**  
(52) **U.S. Cl.**  
USPC ..... **D9/453**  
(58) **Field of Classification Search**  
USPC ..... D7/392, 392.1, 396.2, 397, 398, 619.1, D7/620; D9/434-436, 454, 499, 516, D9/715-719, 453; D23/260, 269, 390  
CPC B65D 1/0246; B65D 1/0223; B65D 41/3428; B65D 41/122; B65D 75/5883  
See application file for complete search history.

(57) **CLAIM**

I claim the ornamental design for a closure, as shown and described.

**DESCRIPTION**

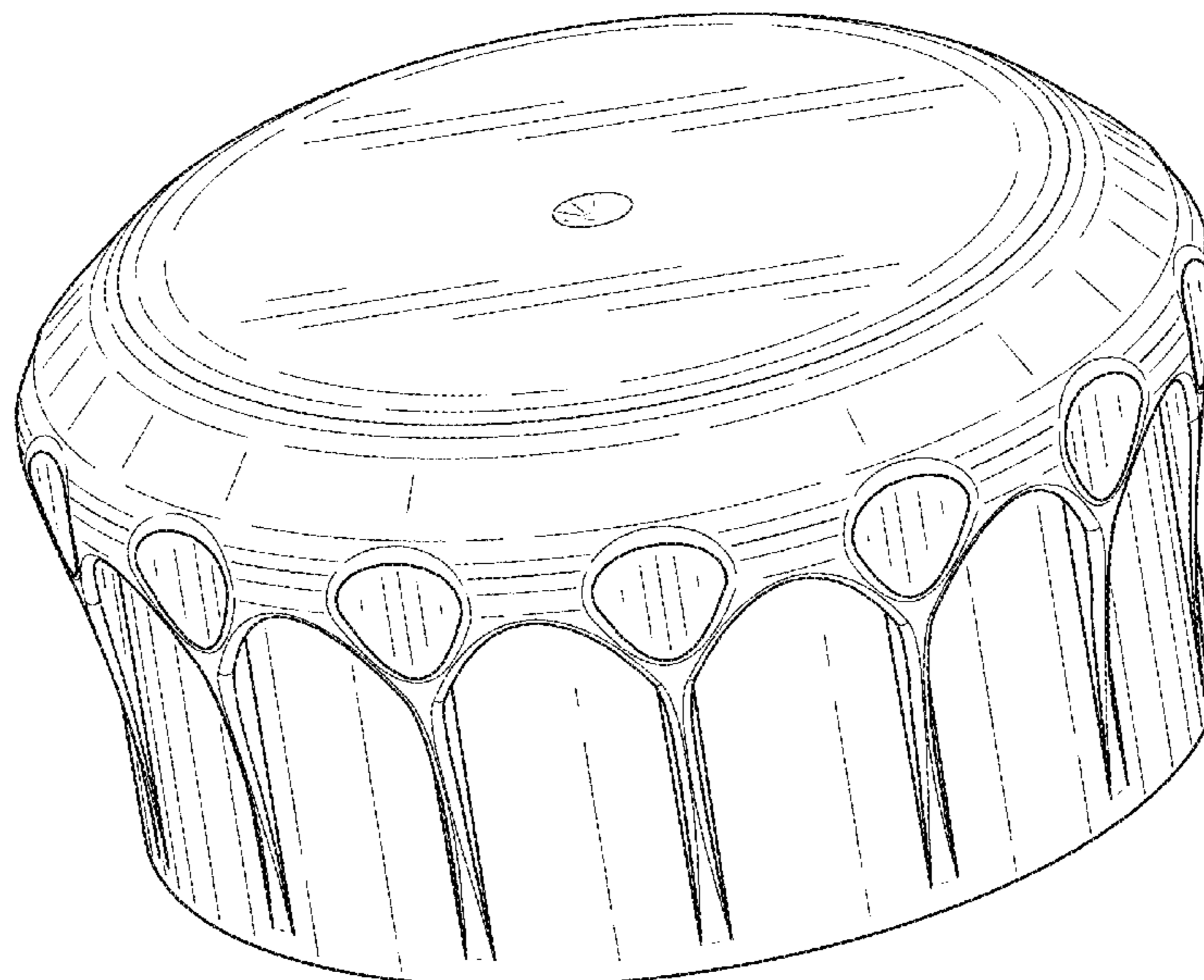
FIG. 1 is a top perspective view of the claimed design; FIG. 2 is a bottom perspective view of the claimed design of FIG. 1; FIG. 3 is a top view of the claimed design of FIG. 1; FIG. 4 is a bottom view of the claimed design of FIG. 1; and, FIG. 5 is a side view of the claimed design of FIG. 1. The ornamental design which is claimed is shown in solid lines in the drawings.

(56) **References Cited**

**U.S. PATENT DOCUMENTS**

D24,862 S 11/1895 Abbott  
D83,012 S 1/1931 Scribner  
D84,239 S \* 5/1931 Fuerst ..... D9/453  
D86,280 S \* 2/1932 Sterling ..... D9/453  
D89,809 S 5/1933 Von Till  
D90,431 S \* 8/1933 Wilmet ..... D9/453  
RE19,249 E \* 7/1934 Conner ..... D9/453  
D95,675 S 5/1935 Fuerst

**1 Claim, 5 Drawing Sheets**



(56)

References Cited

U.S. PATENT DOCUMENTS

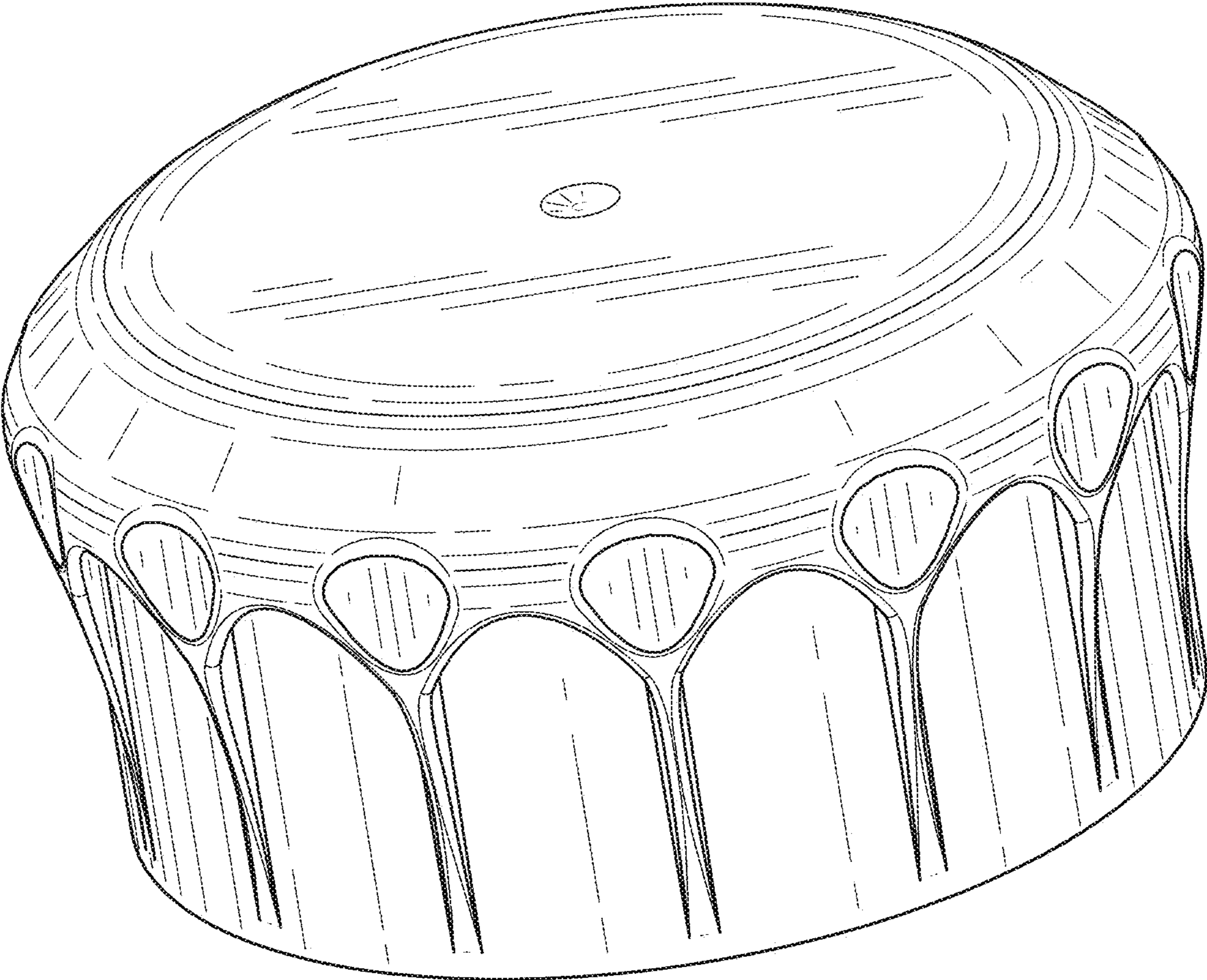
D356,871 S 3/1995 Dunn  
 D365,742 S 1/1996 Decursu et al.  
 D422,217 S 4/2000 Gundlach et al.  
 D437,226 S 2/2001 Sadeghi et al.  
 D442,089 S 5/2001 Sadeghi et al.  
 D449,530 S 10/2001 Sadeghi et al.  
 D453,473 S 2/2002 Del Bianco  
 D471,813 S \* 3/2003 Shenkar ..... D9/452  
 6,783,014 B2 8/2004 Luker  
 D526,564 S \* 8/2006 Slavin ..... D9/454  
 D530,612 S 10/2006 Lohrman et al.  
 D534,802 S \* 1/2007 German ..... D9/453  
 D542,654 S 5/2007 Szczesniak  
 D542,655 S 5/2007 Szczesniak  
 D542,656 S 5/2007 Szczesniak  
 D543,108 S \* 5/2007 Reed ..... D9/453  
 D544,348 S 6/2007 Szczesniak  
 D574,240 S 8/2008 Szczesniak  
 D574,708 S \* 8/2008 Reed ..... D9/453  
 D583,236 S \* 12/2008 Fuchs ..... D9/453  
 D606,401 S \* 12/2009 Kamath ..... D9/453  
 D608,201 S 1/2010 Fuchs  
 D613,162 S \* 4/2010 Druitt ..... D9/453  
 7,802,690 B2 9/2010 Lohrman et al.  
 D631,349 S 1/2011 Arnell et al.  
 D633,386 S 3/2011 Taber et al.  
 D639,161 S 6/2011 Webster  
 D668,542 S 10/2012 Thurin et al.  
 D673,045 S 12/2012 Clark  
 D673,046 S 12/2012 Clark  
 D679,185 S 4/2013 Brown et al.

D679,186 S 4/2013 Brown et al.  
 8,528,757 B2 \* 9/2013 Bisio ..... B65D 41/3404  
 215/252  
 D697,366 S \* 1/2014 Kristinik ..... D7/392.1  
 D708,950 S 7/2014 Zeid et al.  
 D712,743 S \* 9/2014 Neputy ..... D9/453  
 D712,744 S 9/2014 Neputy et al.  
 D714,146 S 9/2014 King  
 D721,963 S \* 2/2015 Finkbohner ..... D9/453  
 D726,006 S \* 4/2015 Rapparini ..... D9/434  
 9,309,032 B2 \* 4/2016 Berge ..... B65D 47/122  
 D756,777 S 5/2016 Berge et al.  
 D757,545 S 5/2016 King  
 9,533,802 B2 1/2017 Berge  
 D778,160 S 2/2017 Orset  
 D790,344 S 6/2017 Neputy et al.  
 D791,591 S 7/2017 Berge  
 D805,900 S \* 12/2017 Kapolis ..... D9/453  
 D809,384 S \* 2/2018 Best ..... D9/443  
 D813,671 S 3/2018 Arthur et al.  
 9,938,050 B2 4/2018 Berge  
 2011/0290754 A1 12/2011 Taber et al.  
 2015/0129533 A1 5/2015 Taber et al.  
 2015/0232237 A1 \* 8/2015 Berge ..... B65D 41/3438  
 222/153.06

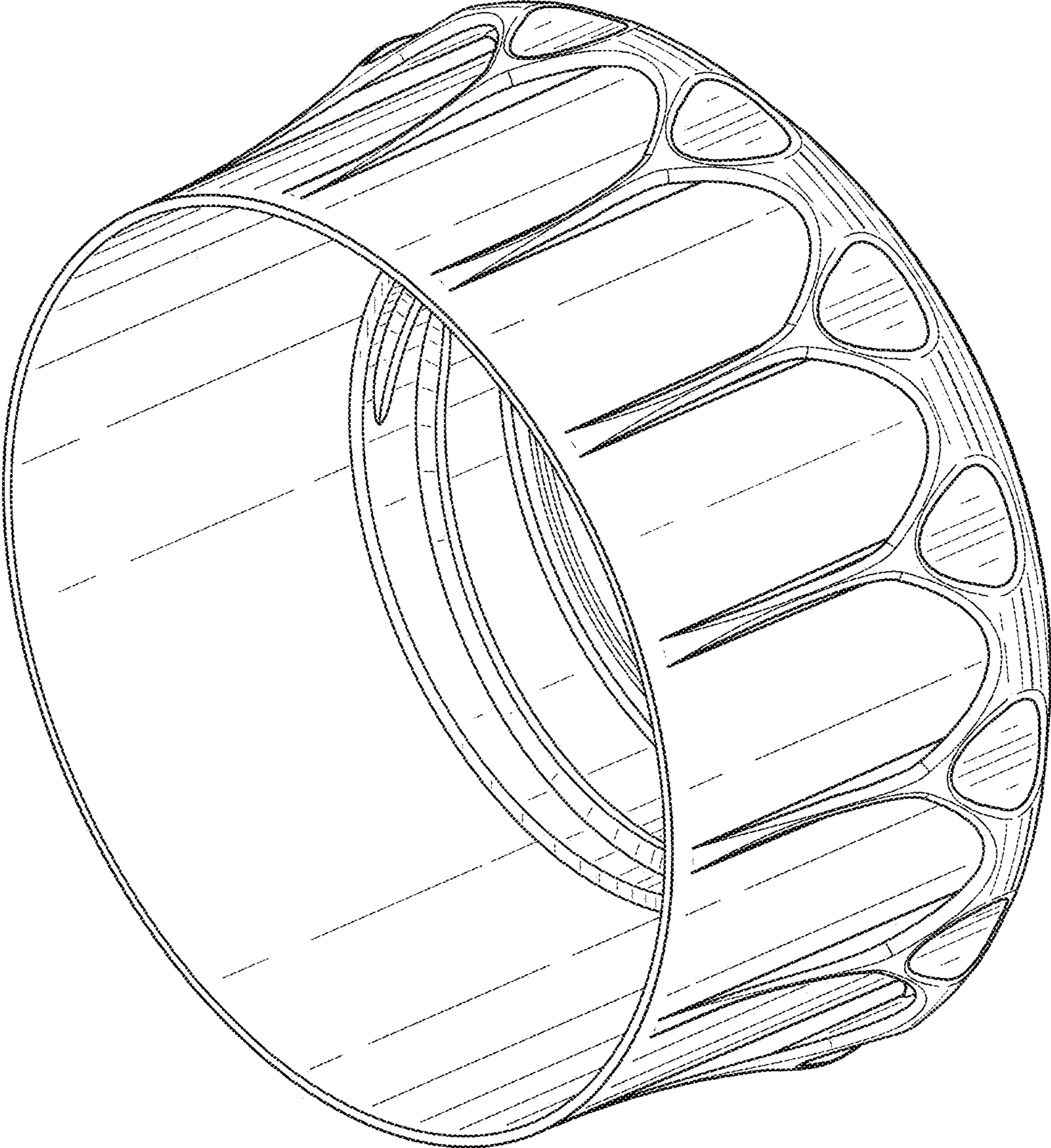
OTHER PUBLICATIONS

Silgan Closures, "Drinktec 2017—Silgan Closures," Nov. 9, 2017, site accessed on Aug. 28, 2018, [<http://www.silgan-closures.com/news/2017/Drinktec-2017-BOTTLED-WATERS.html>], 5 pages.

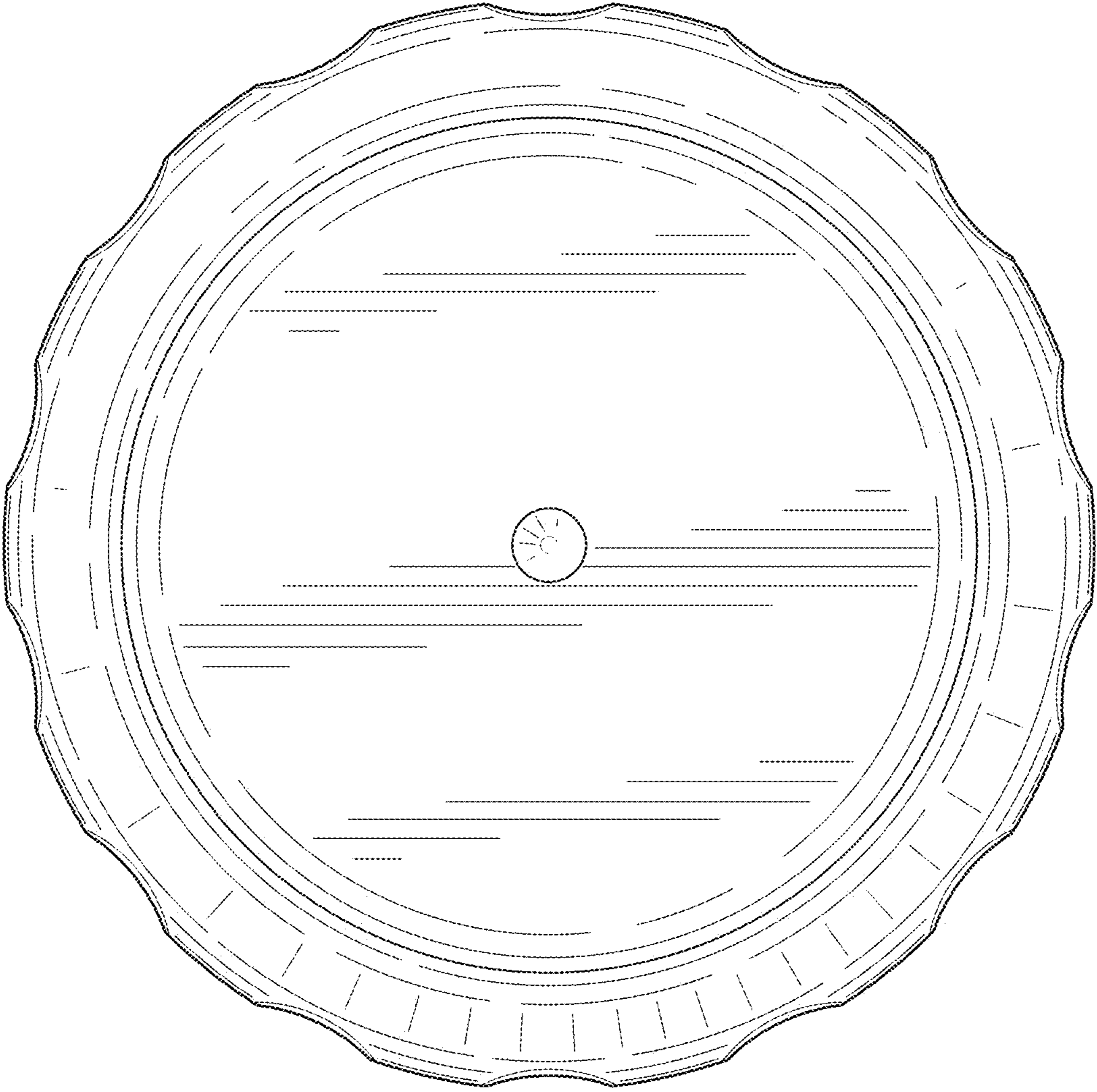
\* cited by examiner



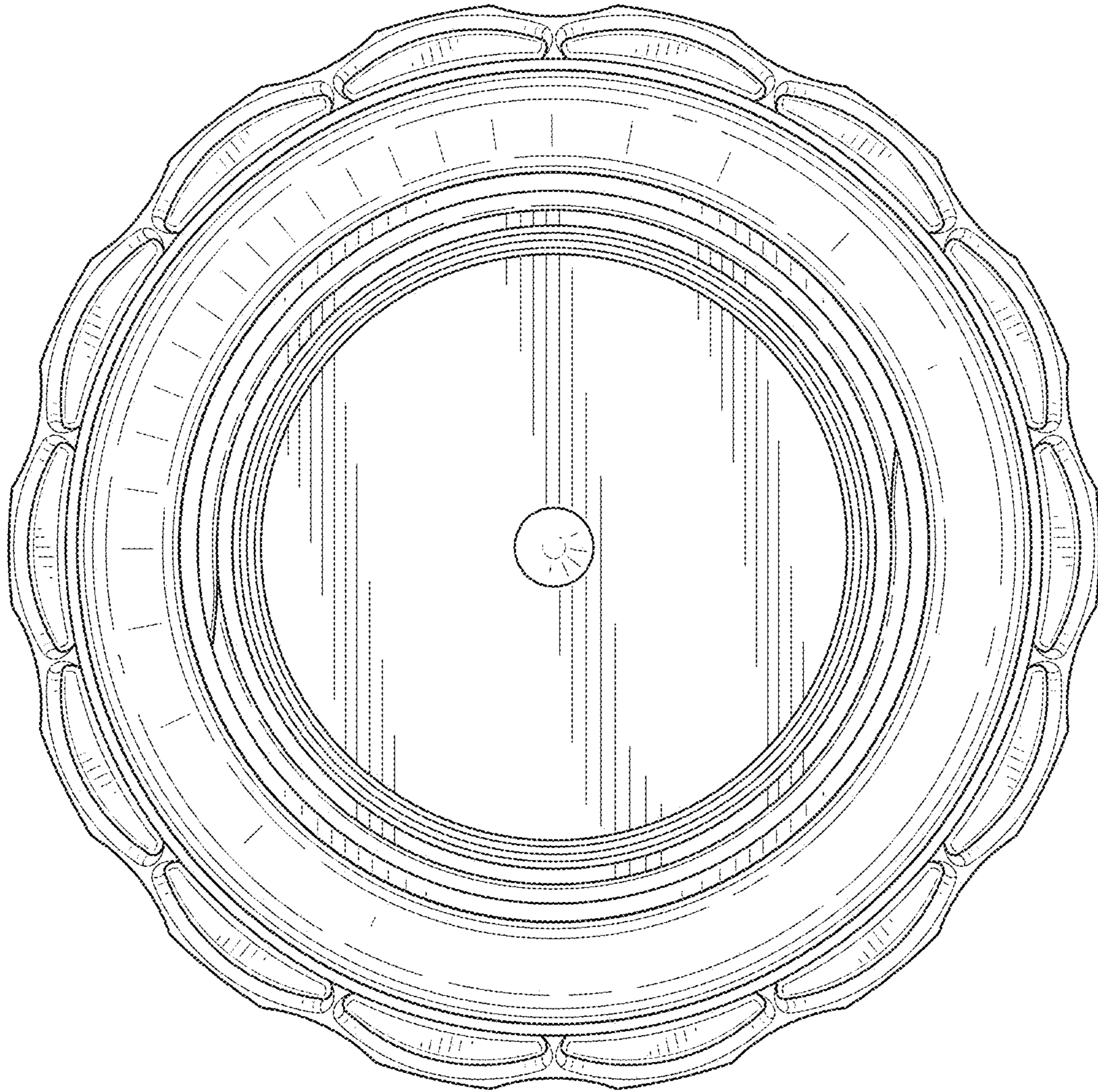
**FIG. 1**



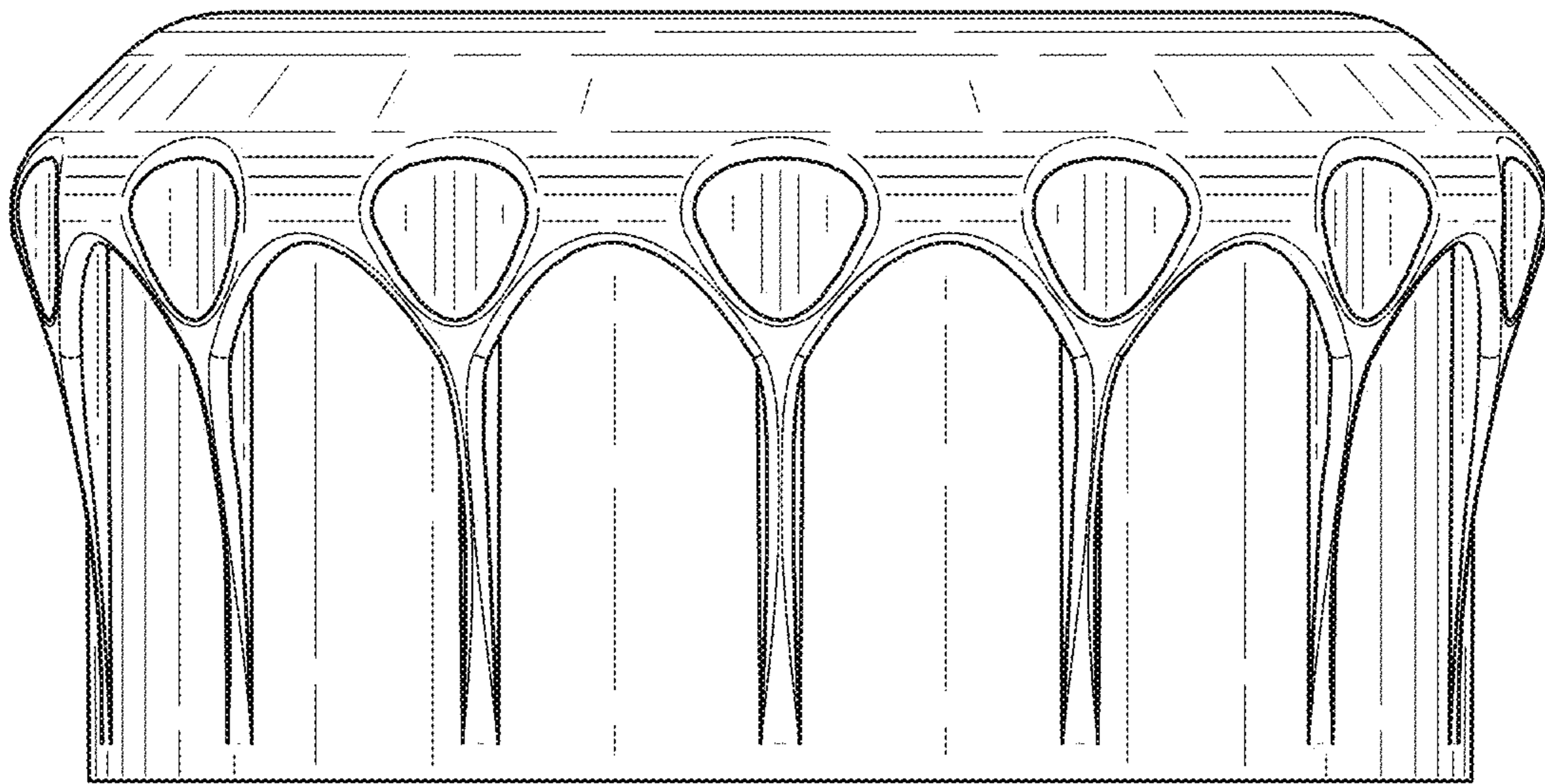
**FIG. 2**



**FIG. 3**



**FIG. 4**



**FIG. 5**