



US00D885901S

(12) **United States Design Patent**  
**Kaneko**

(10) **Patent No.:** **US D885,901 S**  
(45) **Date of Patent:** **\*\* Jun. 2, 2020**

(54) **CAP FOR PHARMACEUTICAL MIXING CONTAINER**

(71) Applicant: **GC Corporation**, Shizuoka (JP)

(72) Inventor: **Tsukasa Kaneko**, Tokyo (JP)

(73) Assignee: **GC Corporation**, Shizuoka (JP)

(\*\*) Term: **15 Years**

(21) Appl. No.: **29/649,972**

(22) Filed: **Jun. 4, 2018**

(30) **Foreign Application Priority Data**

Dec. 12, 2017 (JP) ..... 2017-027678

(51) **LOC (12) Cl.** ..... **09-07**

(52) **U.S. Cl.**  
USPC ..... **D9/452**

(58) **Field of Classification Search**

USPC ..... D7/300.2, 387, 388, 391, 392, 392.1, D7/393, 394, 395, 396.1, 396.2, 396.6, D7/397, 398, 403, 509, 510, 511, 566, D7/624.1, 625, 672, 900; D8/300, 303, D8/330, 354, 356, 382, 396; D9/434, D9/435, 436, 437, 438, 443, 448, 449, D9/450, 451, 454, 453, 516, 529, 548, D9/685, 686, 723, 730, 763; D23/206, D23/209, 259, 260, 365; D24/121, 127, D24/194, 196; D28/76, 78, 91.1; D12/133, 174, 178, 191, 222

CPC ..... A61M 5/315; A01G 31/02; A01G 9/0293; B65D 43/0231; B65D 51/24; B65D 83/0038; B65D 17/08; B65D 2517/0062; B65D 2543/0037; B65D 51/245; B65D 50/041; B65D 25/18; B65D 47/122; B65D 47/305; B65D 51/242; B65D 23/00; B65D 1/00; B65D 1/02; B65D 1/0223; B65D 39/08; B44D 3/006; A46B 2200/1046; A46B 17/00; A46B 17/02; A46B 17/06; A46B 17/07; A46B 17/08;

A45D 33/04; A45D 34/04; A45D 40/04; A45D 2034/005; A45D 2040/0043; A45D 2040/0062; Y02W 30/807; F25D 31/007; F25D 3/06; F25D 3/08; F25D 2303/081; B21D 51/32;

(Continued)

(56) **References Cited**

U.S. PATENT DOCUMENTS

D287,469 S \* 12/1986 Weinberger ..... D9/435  
D431,648 S \* 10/2000 Jansen ..... D24/121

(Continued)

OTHER PUBLICATIONS

Aptar Squeeze and Turn Cap: Site Visited [May 8, 2019]. Available from Internet URL:<https://beauty-home.aptar.com/en-us/dispensing-solutions/squeeze-turn.html>.\*

(Continued)

*Primary Examiner* — Catherine S Posthauer  
(74) *Attorney, Agent, or Firm* — IPUSA, PLLC

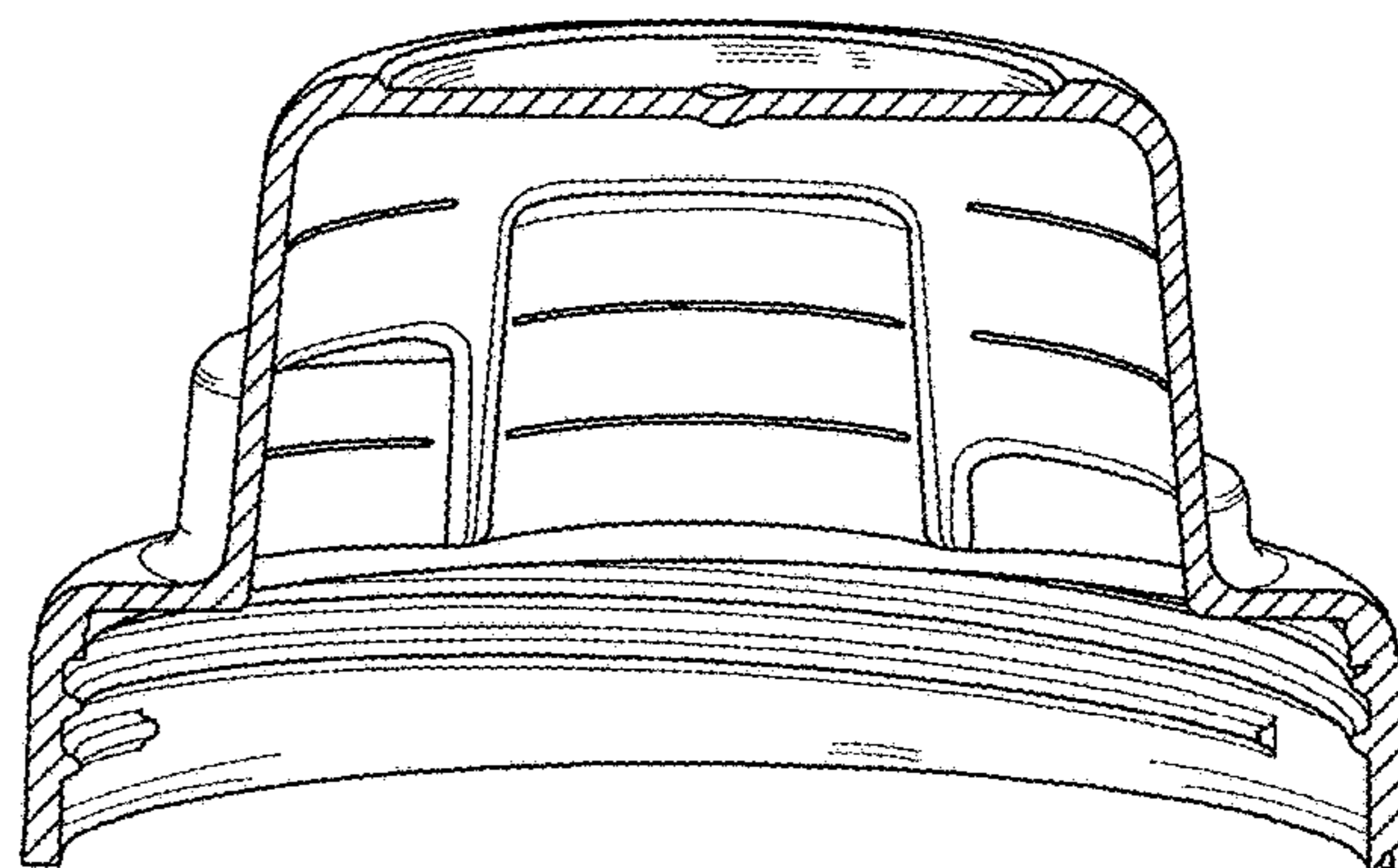
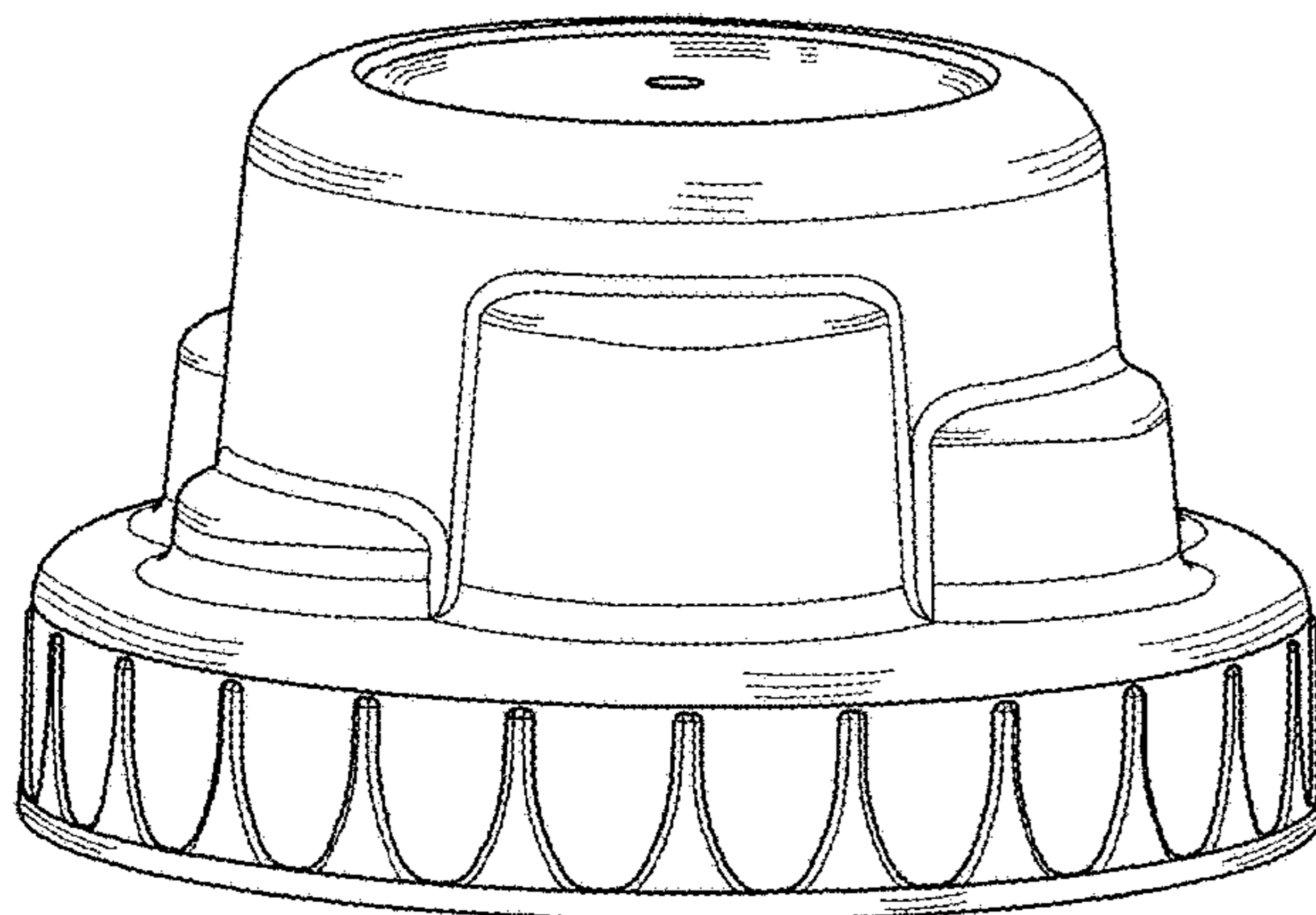
(57) **CLAIM**

The ornamental design for a cap for pharmaceutical mixing container, as shown and described.

**DESCRIPTION**

FIG. 1 is a perspective view of a cap for pharmaceutical mixing container, showing our new design; FIG. 2 is a perspective cross-sectional view taken along line 2-2 in FIG. 4; FIG. 3 is a front view thereof; FIG. 4 is a top plan view thereof; FIG. 5 is a bottom plan view thereof; and, FIG. 6 is a right side view thereof. The rear and left side views are omitted, because they are mirror images of the front and right side views, respectively.

**1 Claim, 3 Drawing Sheets**



# US D885,901 S

Page 2

(58) **Field of Classification Search**

CPC .... B21D 51/44; A47G 19/00; A47G 19/2272;  
A47F 3/14; A47F 3/16

See application file for complete search history.

(56) **References Cited**

U.S. PATENT DOCUMENTS

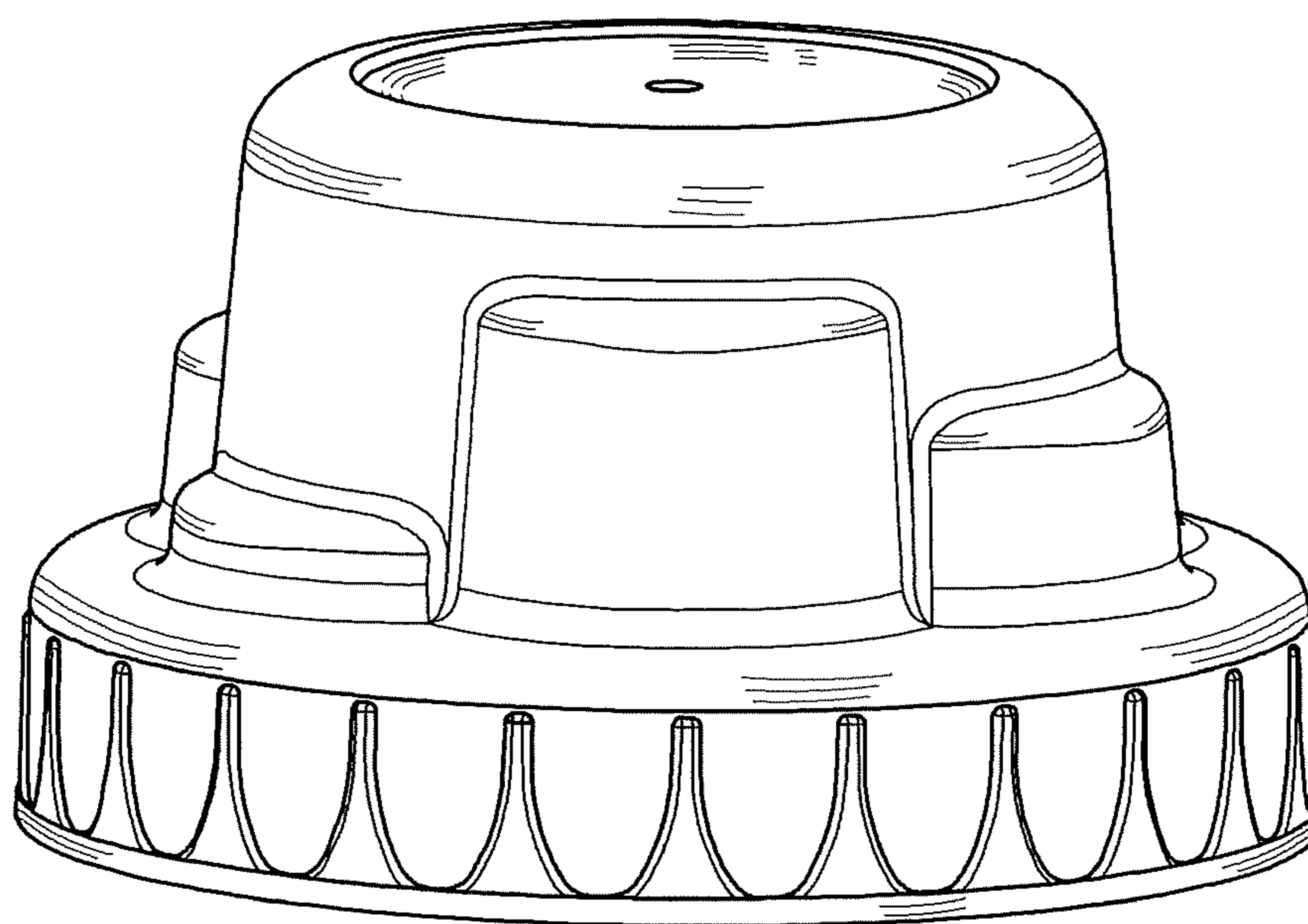
D544,959 S \* 6/2007 Sudo ..... B01L 3/50825  
D24/121  
D569,250 S \* 5/2008 Chou ..... D9/445  
D588,866 S \* 3/2009 Ho ..... D7/391  
D610,456 S \* 2/2010 Rognard ..... D9/438  
D631,351 S \* 1/2011 Coon ..... D9/453  
D631,606 S \* 1/2011 Chen ..... D28/73  
D668,153 S \* 10/2012 Mavin ..... D9/443  
D682,694 S \* 5/2013 van den Hoonaard ..... D9/445  
D704,556 S \* 5/2014 van den Hoonaard ..... D9/451  
D705,062 S \* 5/2014 Jo ..... D9/435  
D707,555 S \* 6/2014 Vogel ..... D9/436

D751,397 S \* 3/2016 Kim ..... D9/452  
D760,345 S \* 6/2016 Campbell ..... D23/206  
D779,325 S \* 2/2017 Vigoureux ..... D7/601  
D796,326 S \* 9/2017 Ichikawa ..... D9/434  
D808,267 S \* 1/2018 Jasso Gomez ..... D9/451  
D811,220 S \* 2/2018 Bohorquez Montenegro .....  
D9/453  
D817,171 S \* 5/2018 Patrick ..... D9/451  
D838,828 S \* 1/2019 Jonsson ..... D23/366  
D843,215 S \* 3/2019 Steigelman ..... D9/453  
2012/0211460 A1\* 8/2012 Tamarindo ..... B65D 41/0485  
215/228

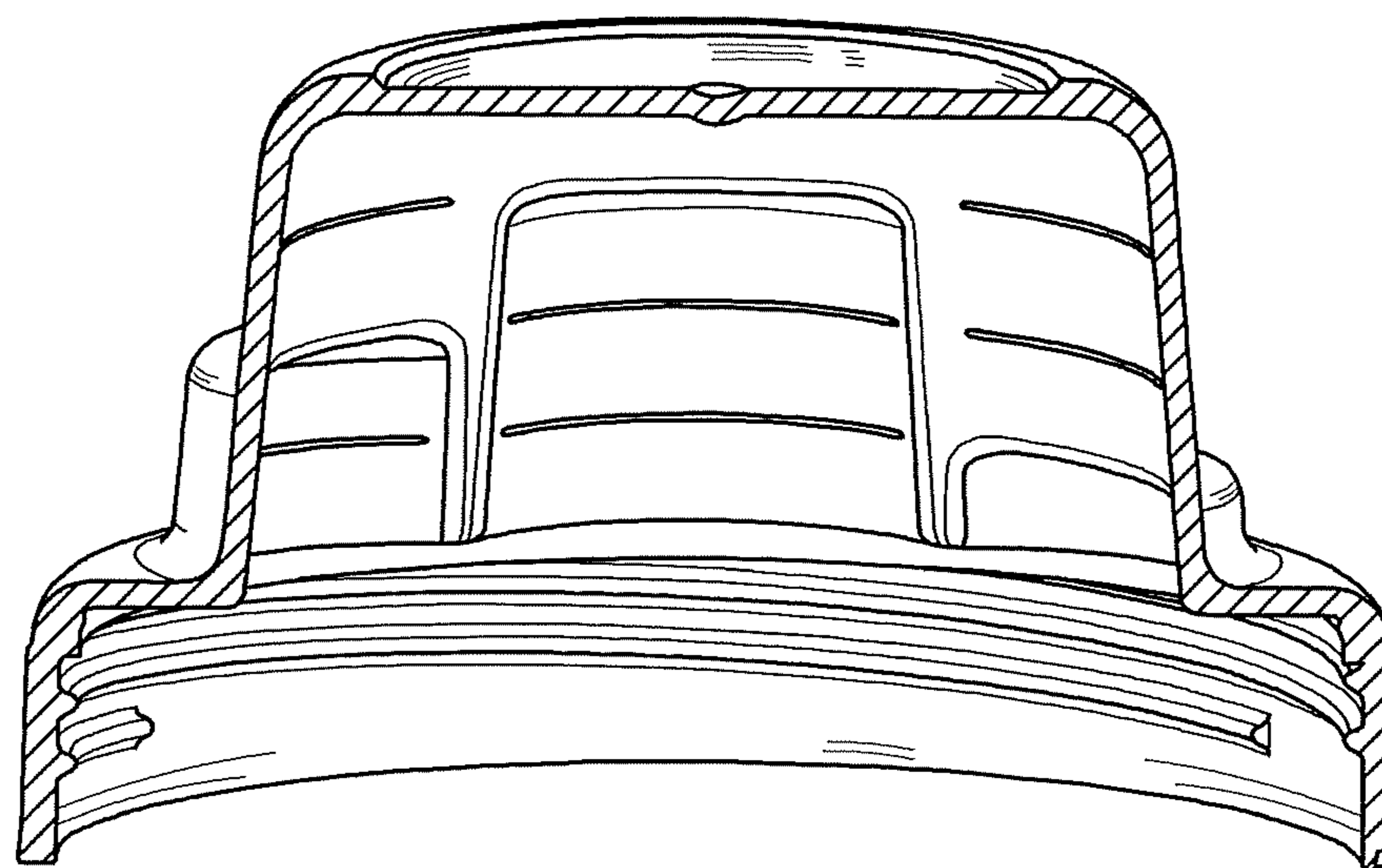
OTHER PUBLICATIONS

Steritop 38 Cap: Site Visited [May 8, 2019]. Available from Internet  
URL: <https://catalogue.rpc-bramlage.com/en/portals/rpcbamlagedivision/assets/12464332/steritop-38/packtags/203000000/health/>.\*

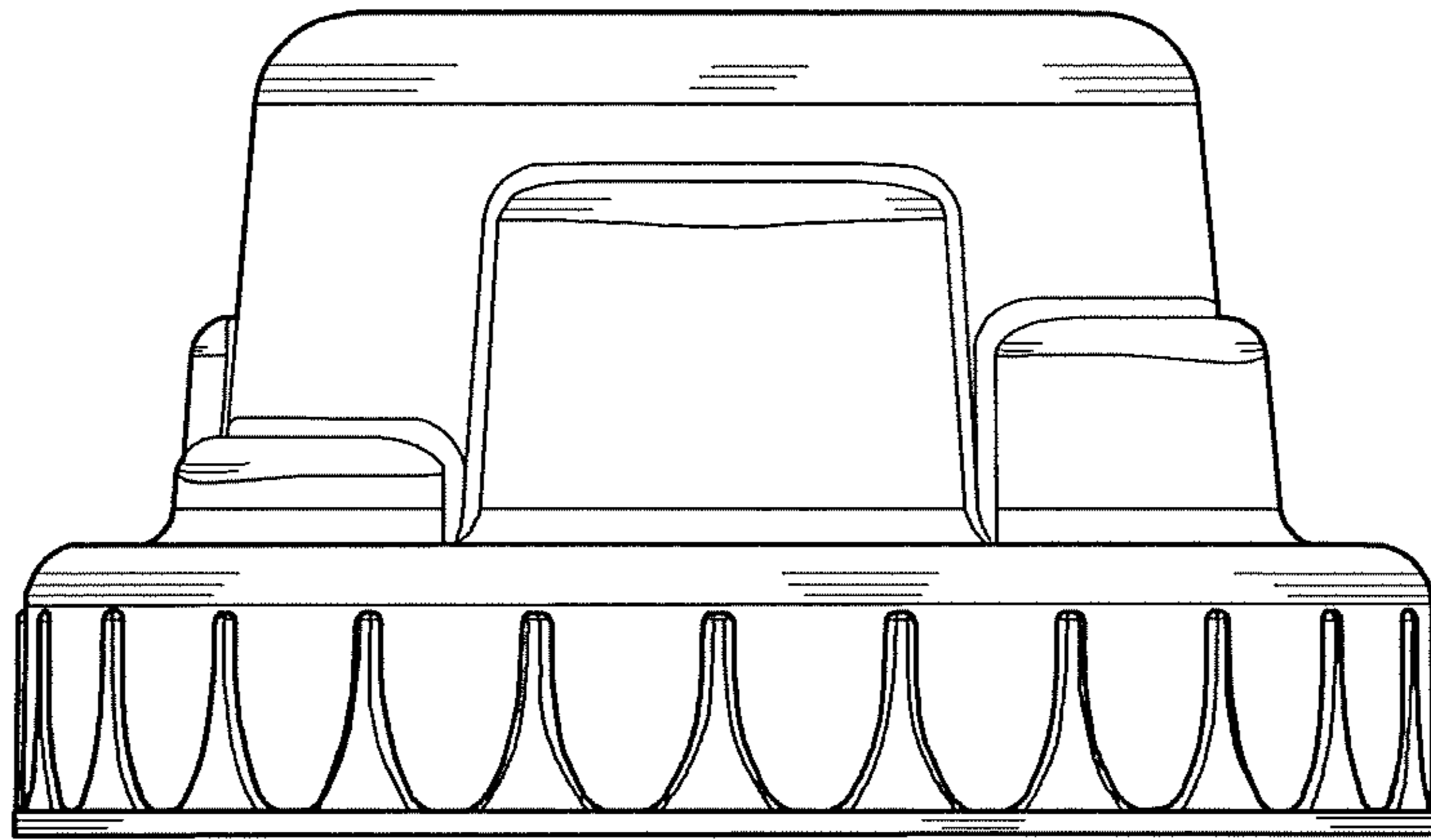
\* cited by examiner



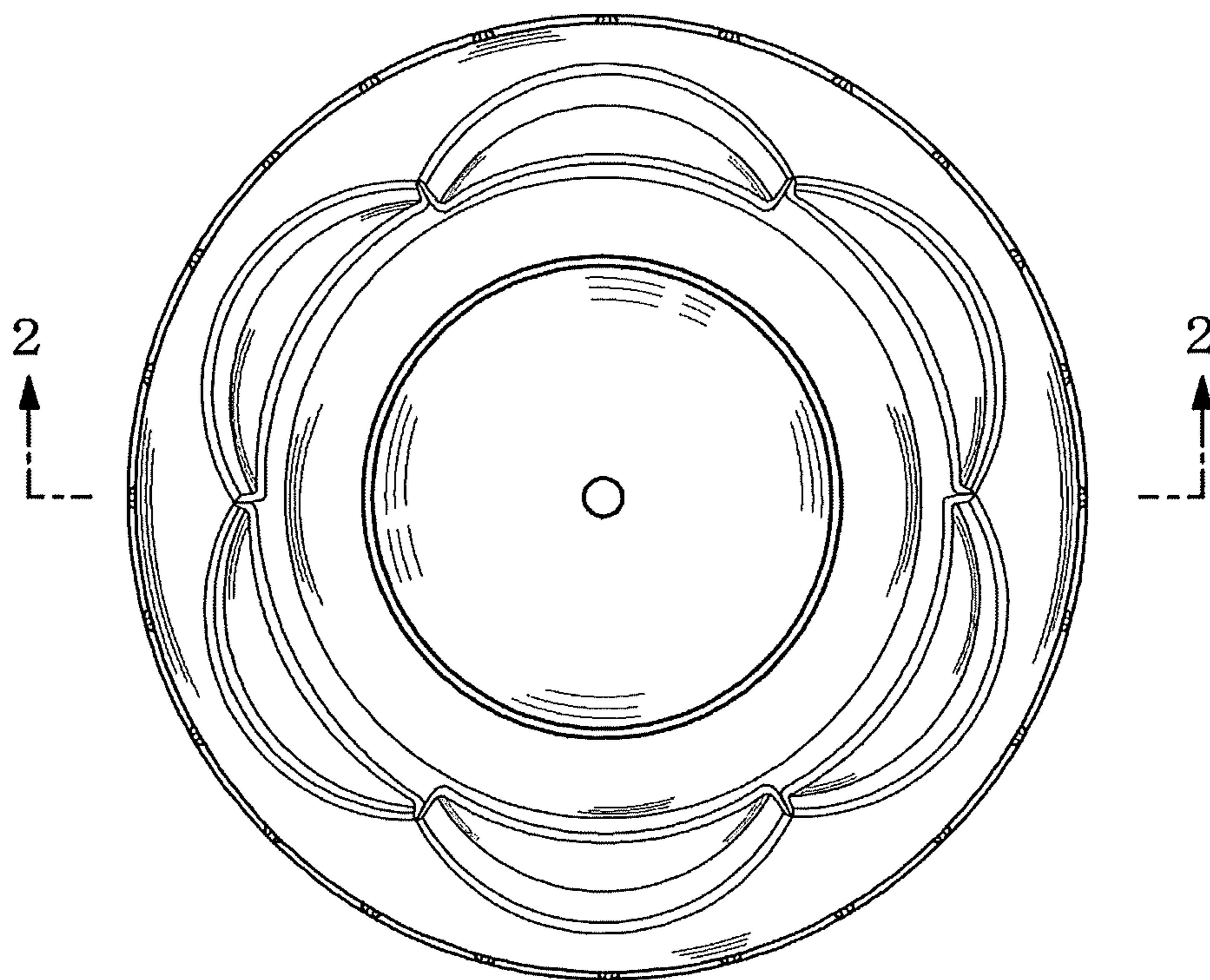
*Fig. 1*



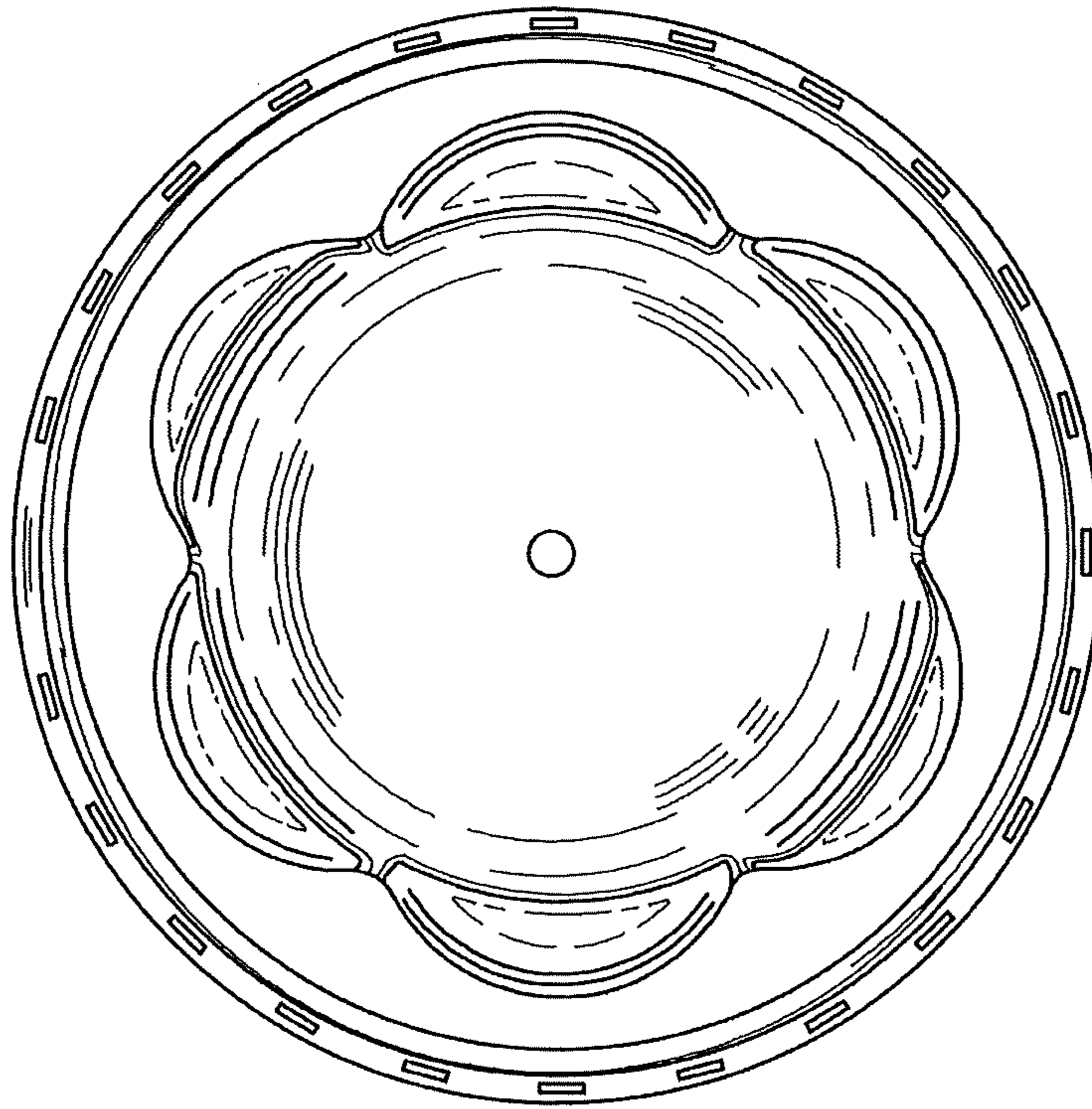
*Fig. 2*



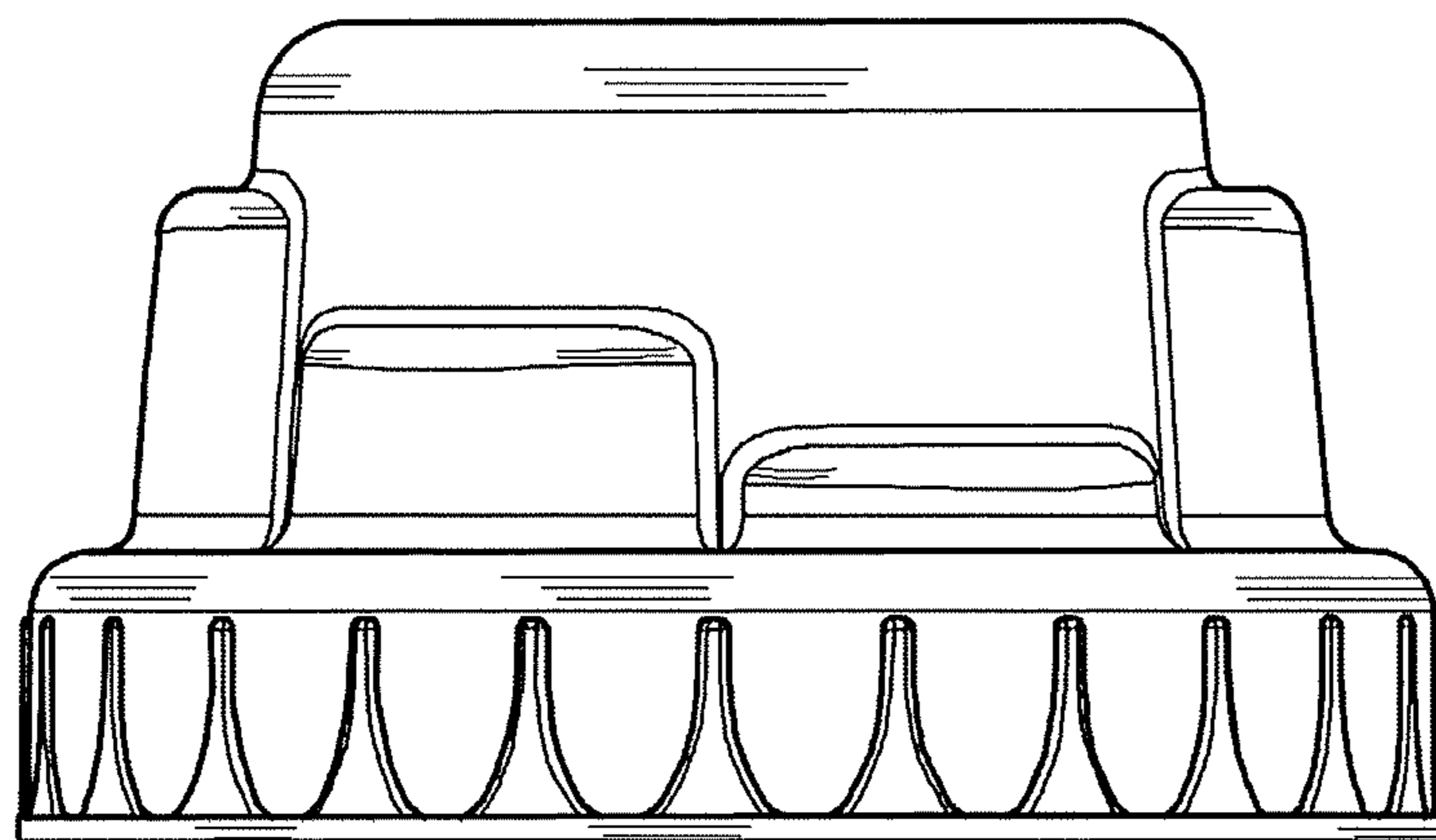
*Fig. 3*



*Fig. 4*



*Fig. 5*



*Fig. 6*