



US00D885895S

(12) **United States Design Patent** (10) **Patent No.:** **US D885,895 S**
Berroa García (45) **Date of Patent:** **** Jun. 2, 2020**

(54) **CAP FOR A BOTTLE** 43/02; B65D 85/36; B65D 81/18; B65D 81/38; A45D 2040/0043; A45D 2040/0062; A45D 40/04; A45D 34/04; A45D 33/04
(71) Applicant: **BETAPACK, S.A.U.**, Irun (ES)
(72) Inventor: **Francisco Javier Berroa García**, Irun (ES) See application file for complete search history.

(73) Assignee: **BETAPACK, S.A.U.**, Irun (ES)
(**) Term: **15 Years**

(21) Appl. No.: **29/673,327**

(22) Filed: **Dec. 13, 2018**

(30) **Foreign Application Priority Data**

Jun. 19, 2018 (EM) 005316734-0001

(51) **LOC (12) Cl.** **09-07**

(52) **U.S. Cl.**
USPC **D9/449**

(58) **Field of Classification Search**

USPC D3/10, 13, 17; D6/672, 677; D7/300, D7/317, 321, 387, 388.391, 392, 396.1, D7/396.6, 397, 398, 401.1, 403, 509, 538, D7/610, 619.1, 629, 672, 677, 601, 602, D7/624.1, 705, 708; D9/434, 435, 436, D9/438, 439, 440, 441, 442, 446, 447, D9/449, 451, 452, 453, 454, 455, 550, D9/560, 566, 516, 544, 573, 614, 618, D9/623, 686, 705, 708, 715-720, 730, D9/750, 751; D20/21, 31, 41, 42; D21/3, 621; D23/206, 259, 260; D24/121, 127, 199, 224; D28/4, 5, 73, D28/76, 91.1

CPC B65D 83/06; B65D 2501/00; B65D 2501/0009; B65D 1/00; B65D 1/02; B65D 1/0223; B65D 23/00; B65D 50/041; B65D 53/02; B65D 41/34; B65D 21/0223; B65D 47/265; B65D 2525/283; B65D 2251/0087; B65D 2251/0018; B65D 2251/0028; B65D 2251/009; B65D 43/0225; B65D 25/28; B65D 51/18; B65D 2203/00; B65D 83/0038; B65D

(56) **References Cited**

U.S. PATENT DOCUMENTS

D263,799 S * 4/1982 Nilsson D9/438
D313,754 S * 1/1991 Pomroy D9/435
D426,772 S * 6/2000 Kahl D9/449
D537,342 S * 2/2007 Smith D9/435
D538,162 S * 3/2007 Smith D9/435

(Continued)

OTHER PUBLICATIONS

Betapack OLEO 26-21 MM: Site Visited [Jan. 4, 2020]. Available from Internet URL: <https://www.betapack.com/en/site/caps/34/oleo-26-21-mm>.*

Primary Examiner — Catherine S Posthauer
(74) *Attorney, Agent, or Firm* — Westman, Champlin & Koehler, P.A.

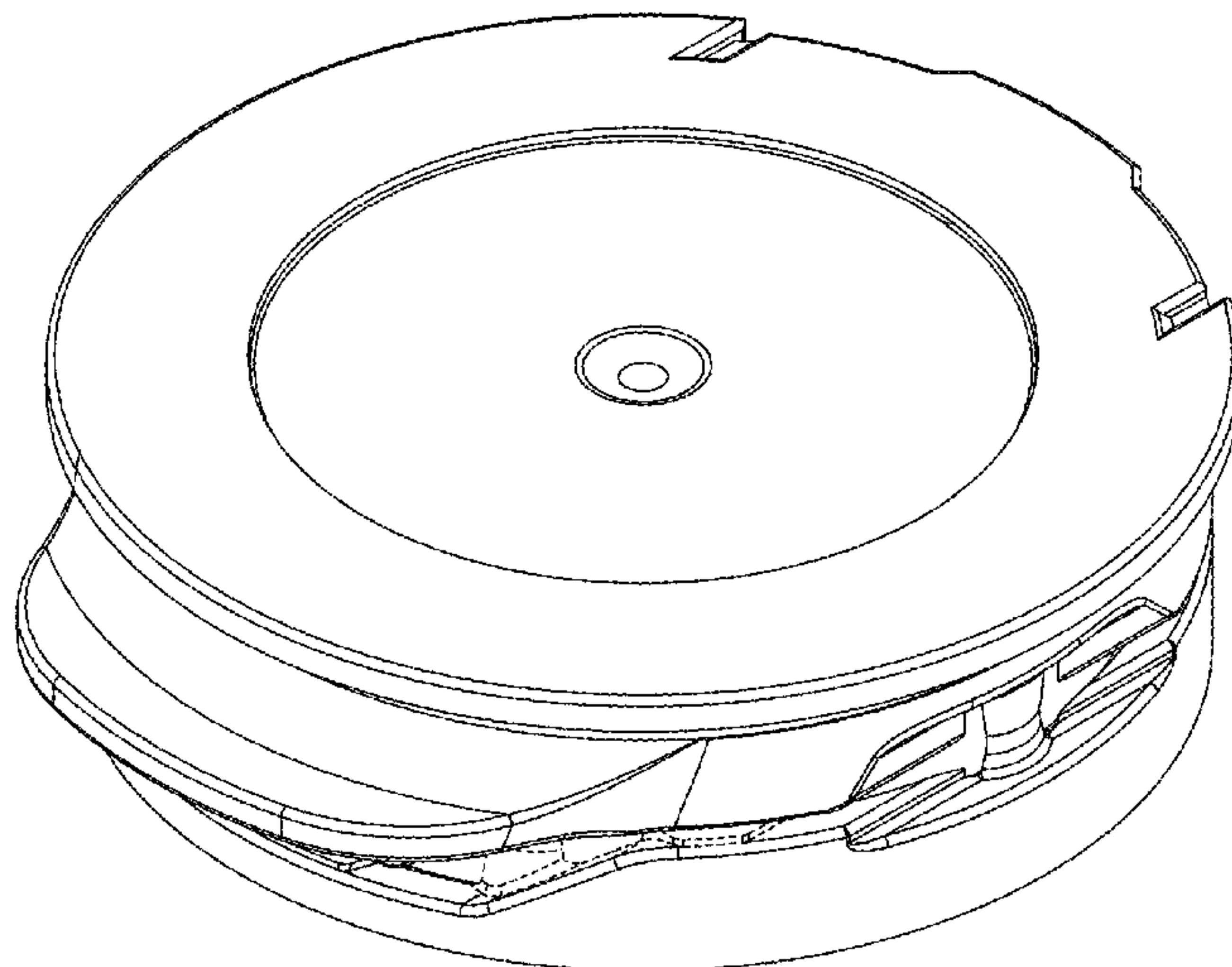
(57) **CLAIM**

The ornamental design for a cap for a bottle, as shown and described.

DESCRIPTION

FIG. 1 is a top perspective view of a cap for a bottle, showing my new design;
FIG. 2 is a left side elevation view thereof;
FIG. 3 is a top view thereof;
FIG. 4 is a front elevation view thereof;
FIG. 5 is a right side elevation view thereof;
FIG. 6 is a bottom view thereof; and,
FIG. 7 is a rear elevation view thereof.
The broken lines are shown for the purpose of illustrating parts of the article that form no part of the claim.

1 Claim, 4 Drawing Sheets



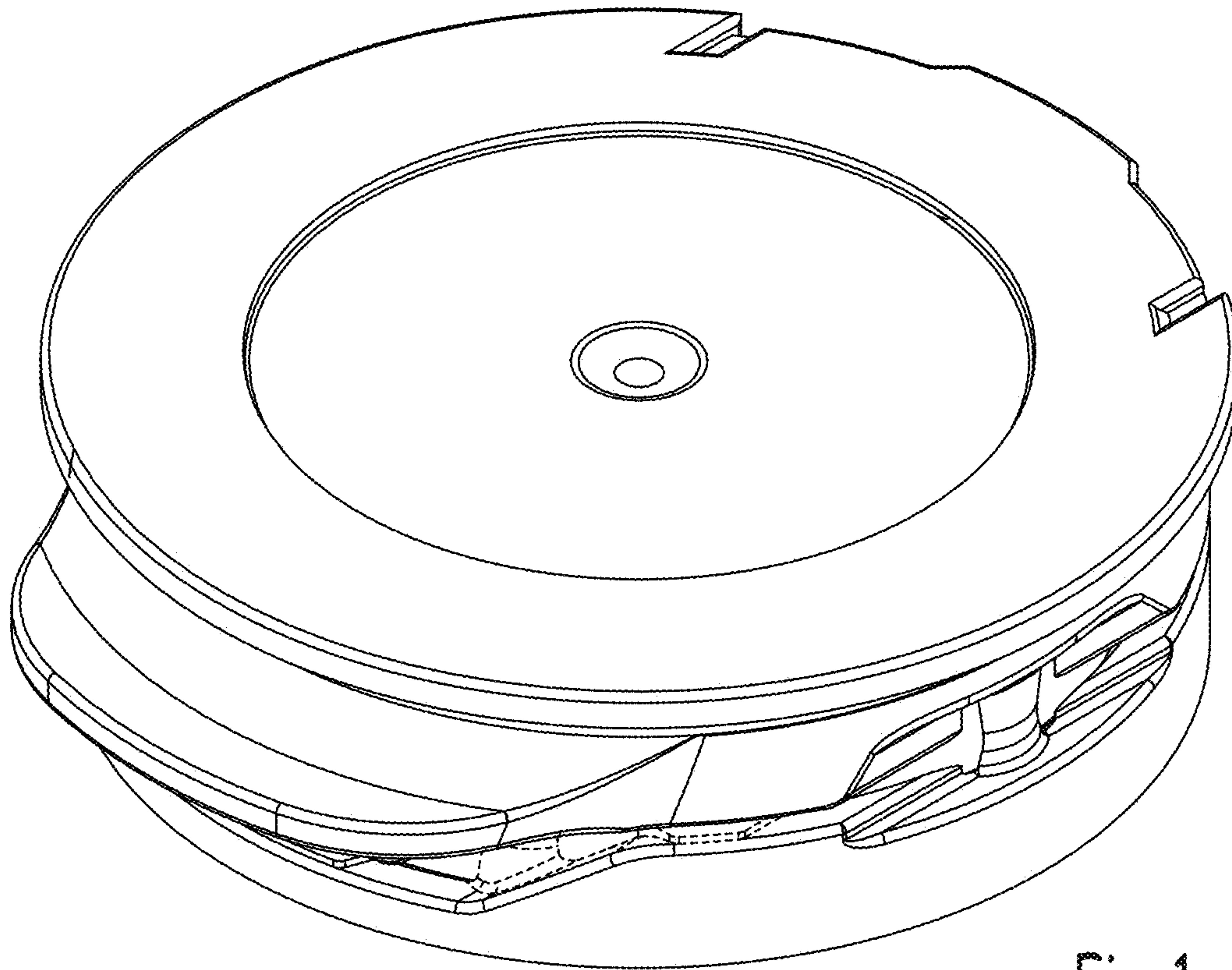


Fig. 1

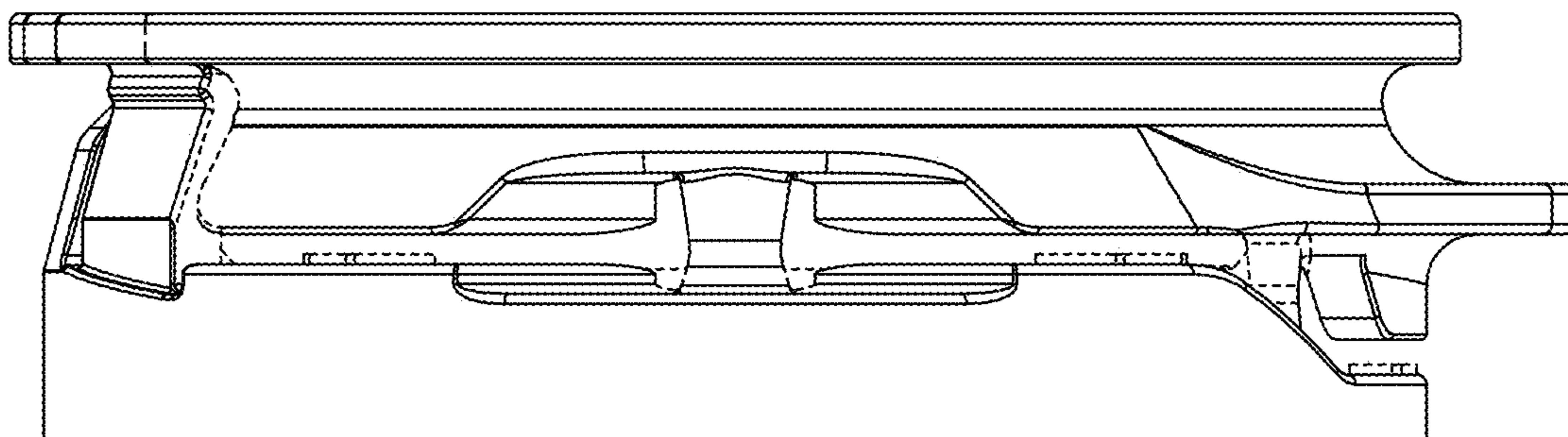


Fig. 2

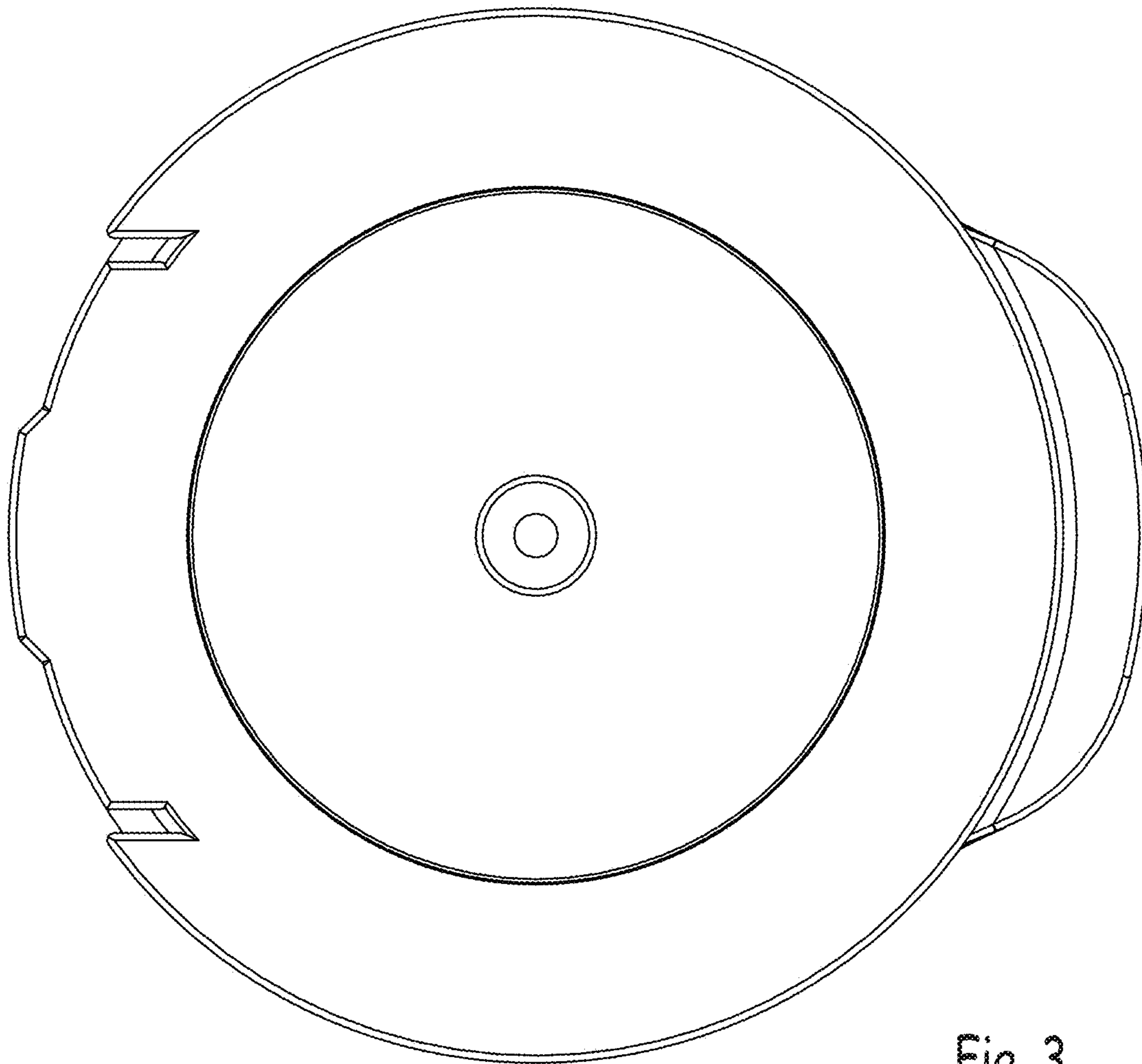


Fig. 3

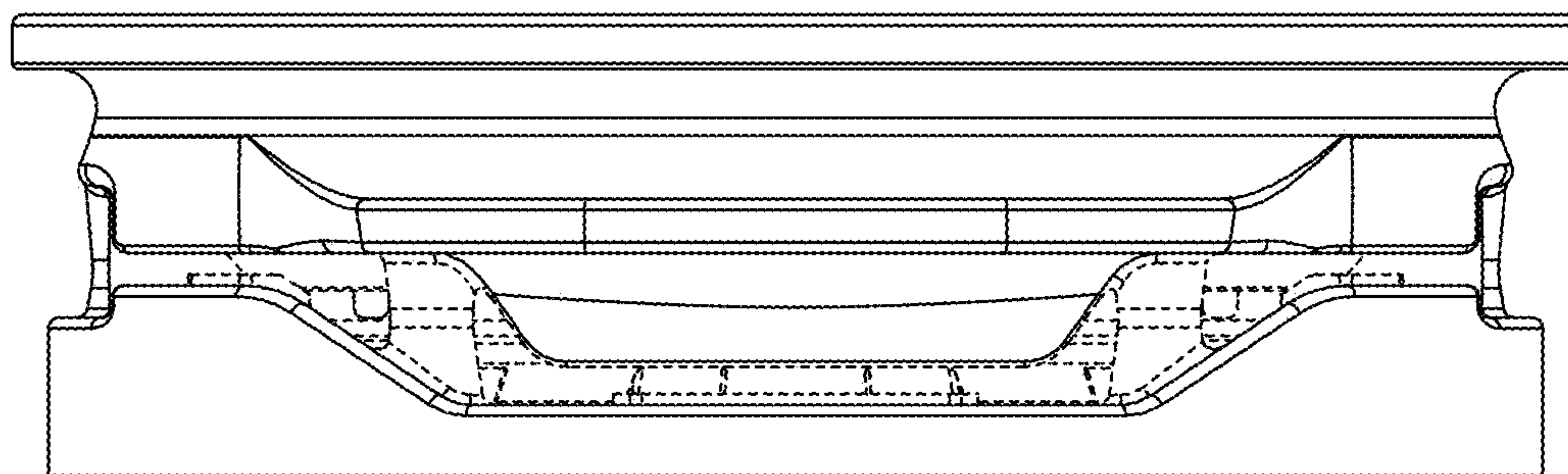


Fig. 4

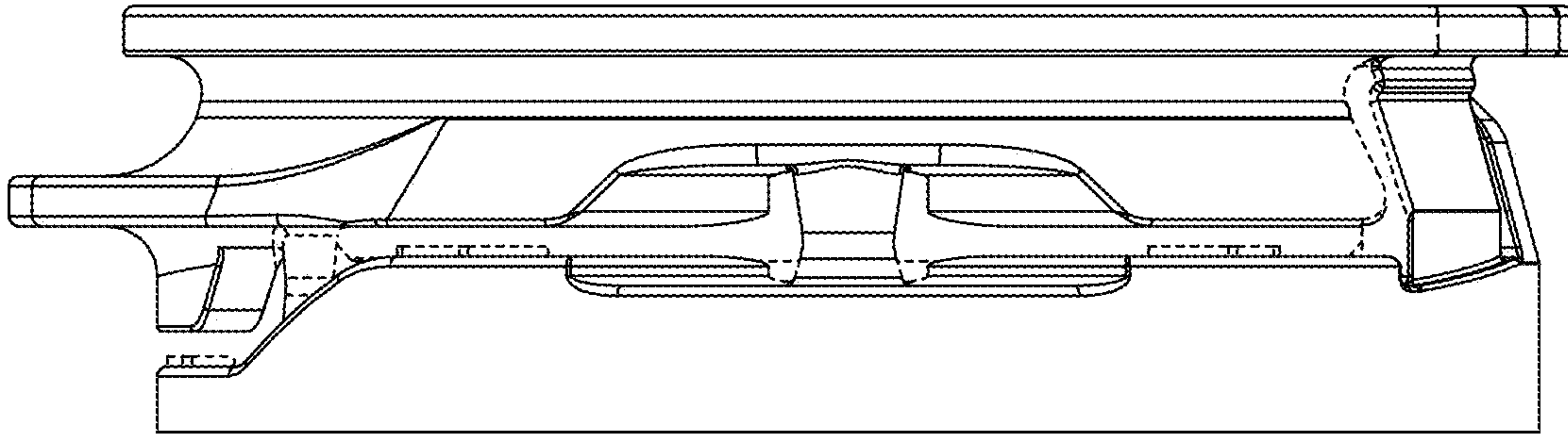


Fig. 5

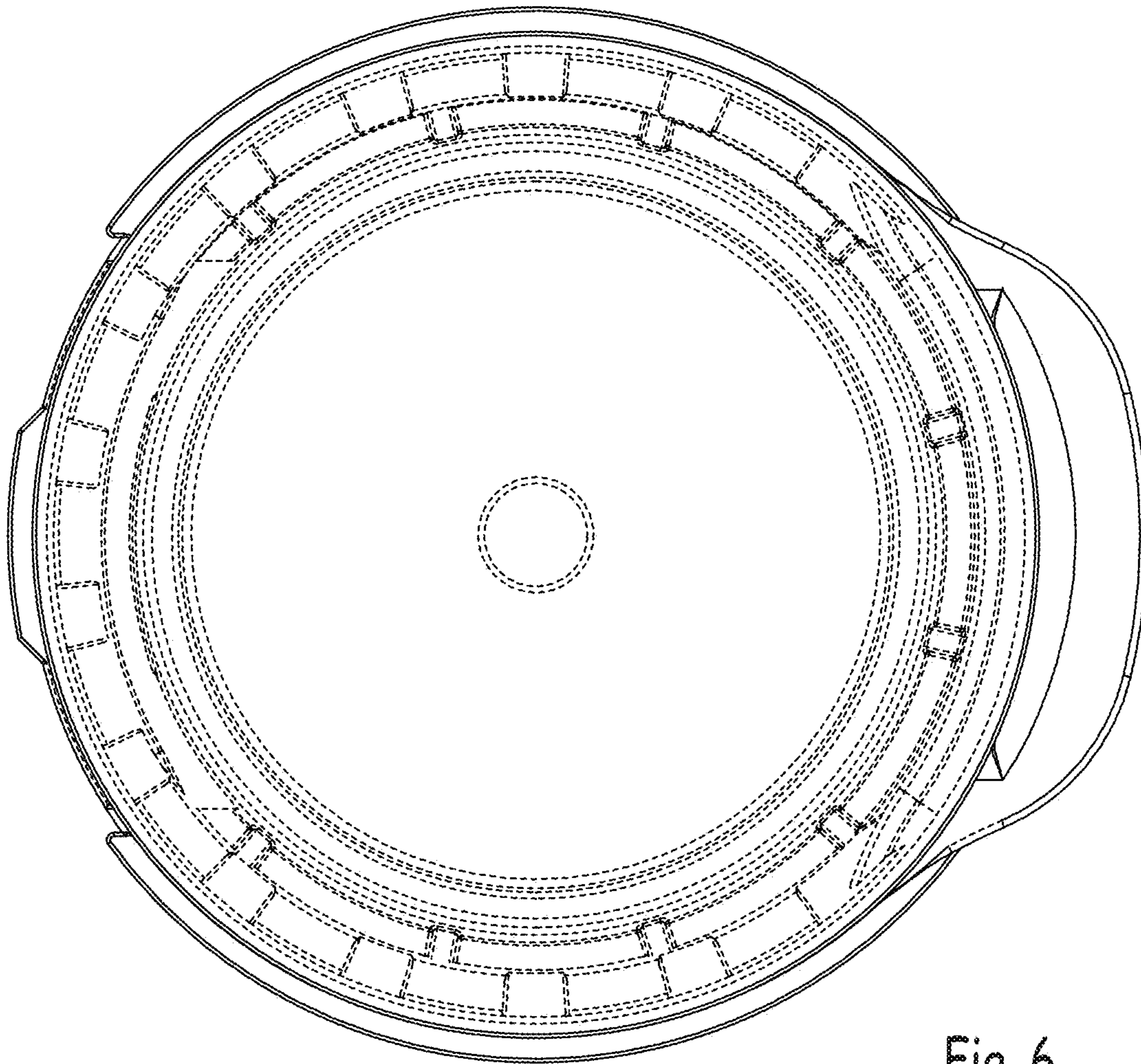


Fig. 6

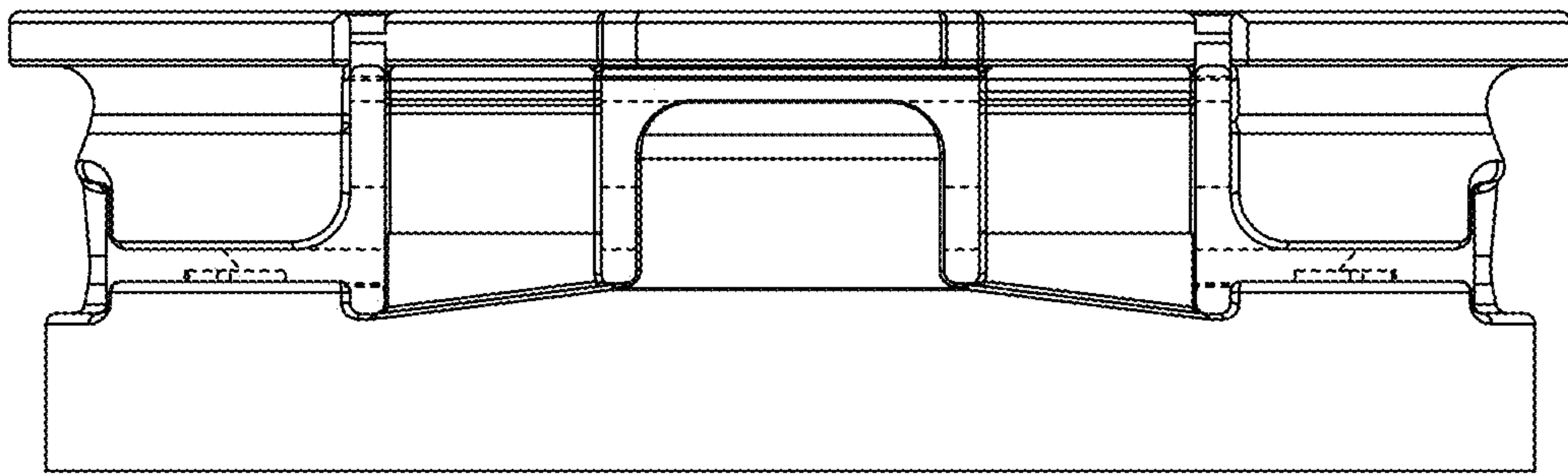


Fig. 7