



US00D885894S

(12) **United States Design Patent**  
**Santiago**

(10) **Patent No.:** **US D885,894 S**  
(45) **Date of Patent:** **\*\* Jun. 2, 2020**

(54) **WATER BOTTLE COVER**

(71) Applicant: **Joseph Luis Santiago**, Las Vegas, NV  
(US)

(72) Inventor: **Joseph Luis Santiago**, Las Vegas, NV  
(US)

(\*\*) Term: **15 Years**

(21) Appl. No.: **29/669,675**

(22) Filed: **Nov. 9, 2018**

(51) **LOC (12) Cl.** ..... **09-01**

(52) **U.S. Cl.**  
USPC ..... **D9/444; D9/436**

(58) **Field of Classification Search**  
USPC ..... D7/387, 392.1, 396.2; D9/434-436, 440,  
D9/443-445, 447, 449, 450, 499, 454  
CPC ..... A47G 19/2227; A47G 23/0309  
See application file for complete search history.

(56) **References Cited**

**U.S. PATENT DOCUMENTS**

- RE37,773 E \* 7/2002 Trombley ..... A47G 19/2227  
D7/511
- D466,814 S \* 12/2002 Hurlburt ..... D9/504
- D592,909 S \* 5/2009 Alviar ..... D7/510
- D612,197 S \* 3/2010 Chan ..... D7/392.1
- D641,591 S \* 7/2011 Tsukida ..... D7/608
- D670,858 S \* 11/2012 Fakhouri ..... D27/189
- D671,837 S \* 12/2012 Rosenberg ..... D9/416
- D697,802 S \* 1/2014 Lane ..... D9/500
- D714,863 S \* 10/2014 Borkovec ..... D18/56
- 8,925,820 B2 \* 1/2015 Yao ..... B65D 25/00  
235/435
- D806,475 S \* 1/2018 Pisarevsky ..... D7/507
- D814,930 S \* 4/2018 Tremayne ..... D9/435
- D823,537 S \* 7/2018 Beaver ..... D27/191
- D836,389 S \* 12/2018 Abante ..... D7/392.1

- D850,595 S \* 6/2019 Li ..... D23/366
- D860,716 S \* 9/2019 Abante ..... D7/392.1
- 2019/0047773 A1 \* 2/2019 Bullock ..... B65D 81/3869

**OTHER PUBLICATIONS**

Origin.Origin 100% Borosilicate Glass Water Bottle With Protec-  
tive Neoprene Sleeve and Leak-Proof Stainless Steel Lid | Dish-  
washer Safe. No date specified. <https://bit.ly/2rcSHwt> (Year: 0).\*  
Alibaba. New Hot AAA Qualified Multifunctional Silicone Col-  
lapsible Led Light Water Bottle. No date specified. [https://www.  
alibaba.com/product-detail/New-Hot-AAA-Qualified-Multifunctional-  
Silicone\\_60788122022.html](https://www.alibaba.com/product-detail/New-Hot-AAA-Qualified-Multifunctional-Silicone_60788122022.html) (Year: 0).\*

\* cited by examiner

*Primary Examiner* — George D. Kirschbaum

*Assistant Examiner* — Darcey E Gottschalk

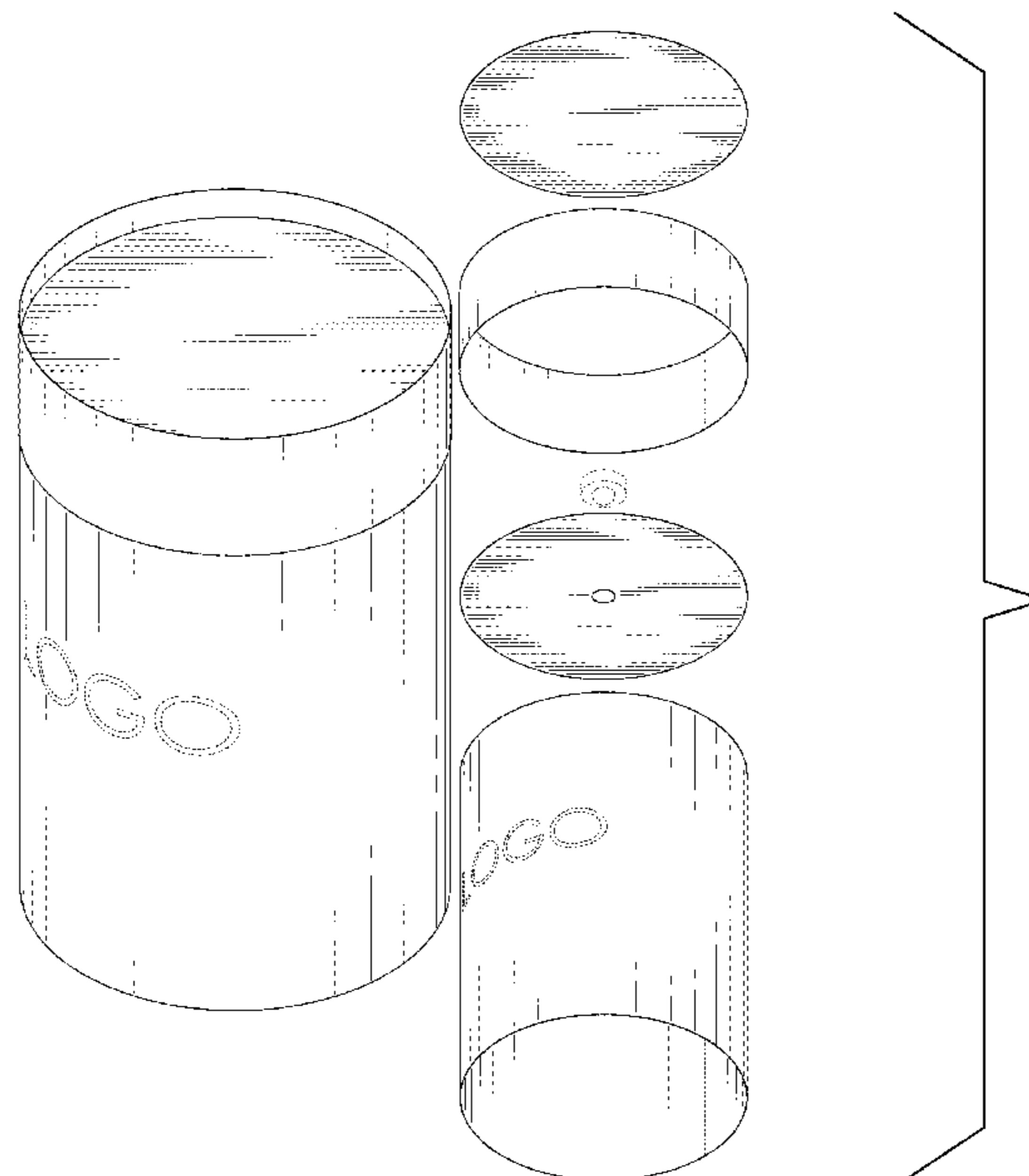
(57) **CLAIM**

The ornamental design for a water bottle cover, as shown  
and described.

**DESCRIPTION**

FIG. 1 is a top perspective view of a water bottle cover  
showing my new design;  
FIG. 2 is a bottom perspective view thereof;  
FIG. 3 is a front elevational view thereof;  
FIG. 4 is a rear elevational view thereof;  
FIG. 5 is a left elevational view thereof;  
FIG. 6 is a right elevational view thereof;  
FIG. 7 is a top plan view thereof;  
FIG. 8 is a bottom plan view thereof;  
FIG. 9 is a top perspective exploded view thereof; and,  
FIG. 10 is a bottom perspective exploded view thereof.  
The broken lines showing the logo cut-out, the LED lamp,  
and construction seam in FIGS. 1-6, and FIGS. 8-10 are  
included for the purpose of showing environmental structure  
and form no part of the claimed design.

**1 Claim, 10 Drawing Sheets**



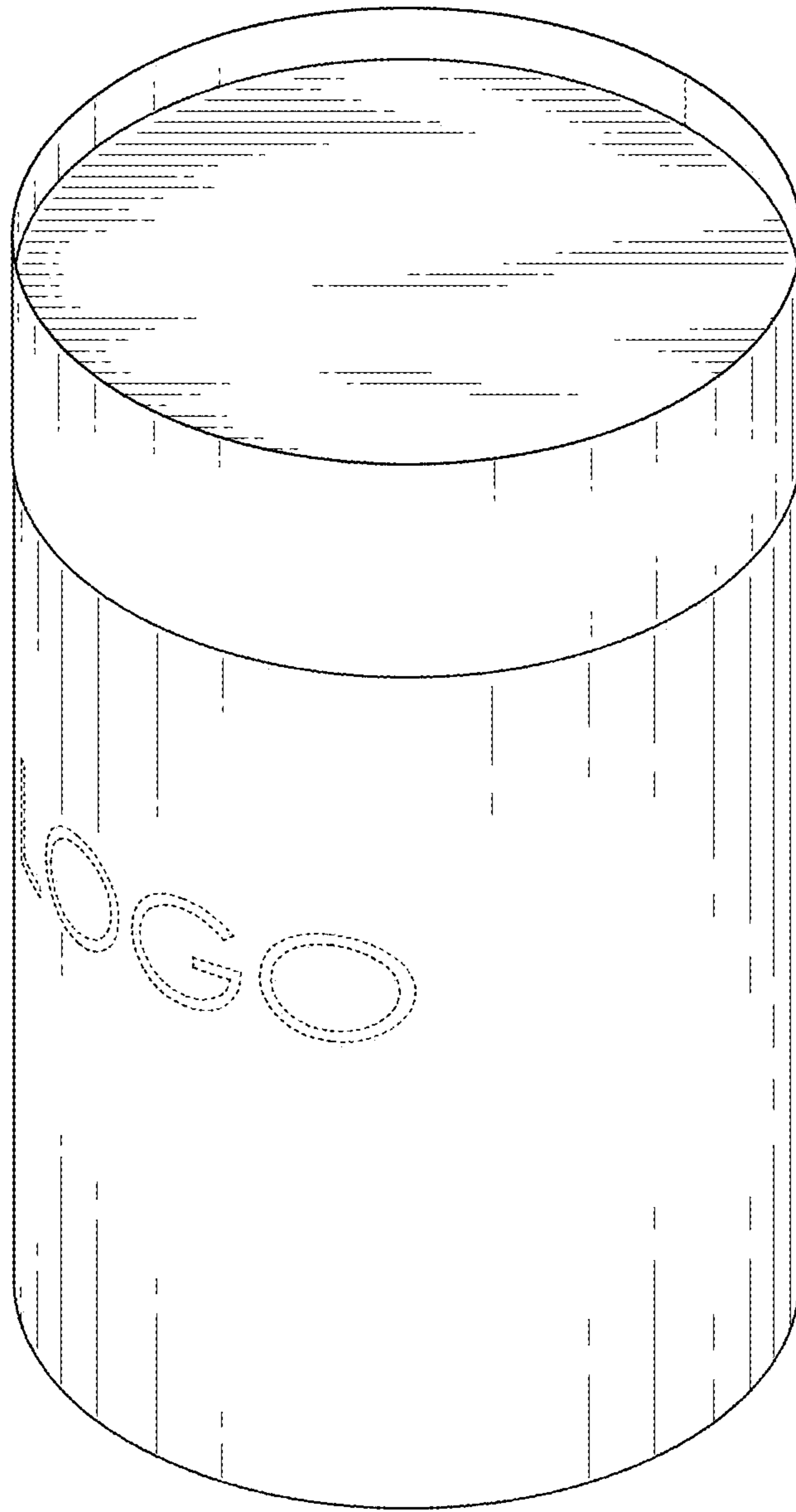


FIG. 1

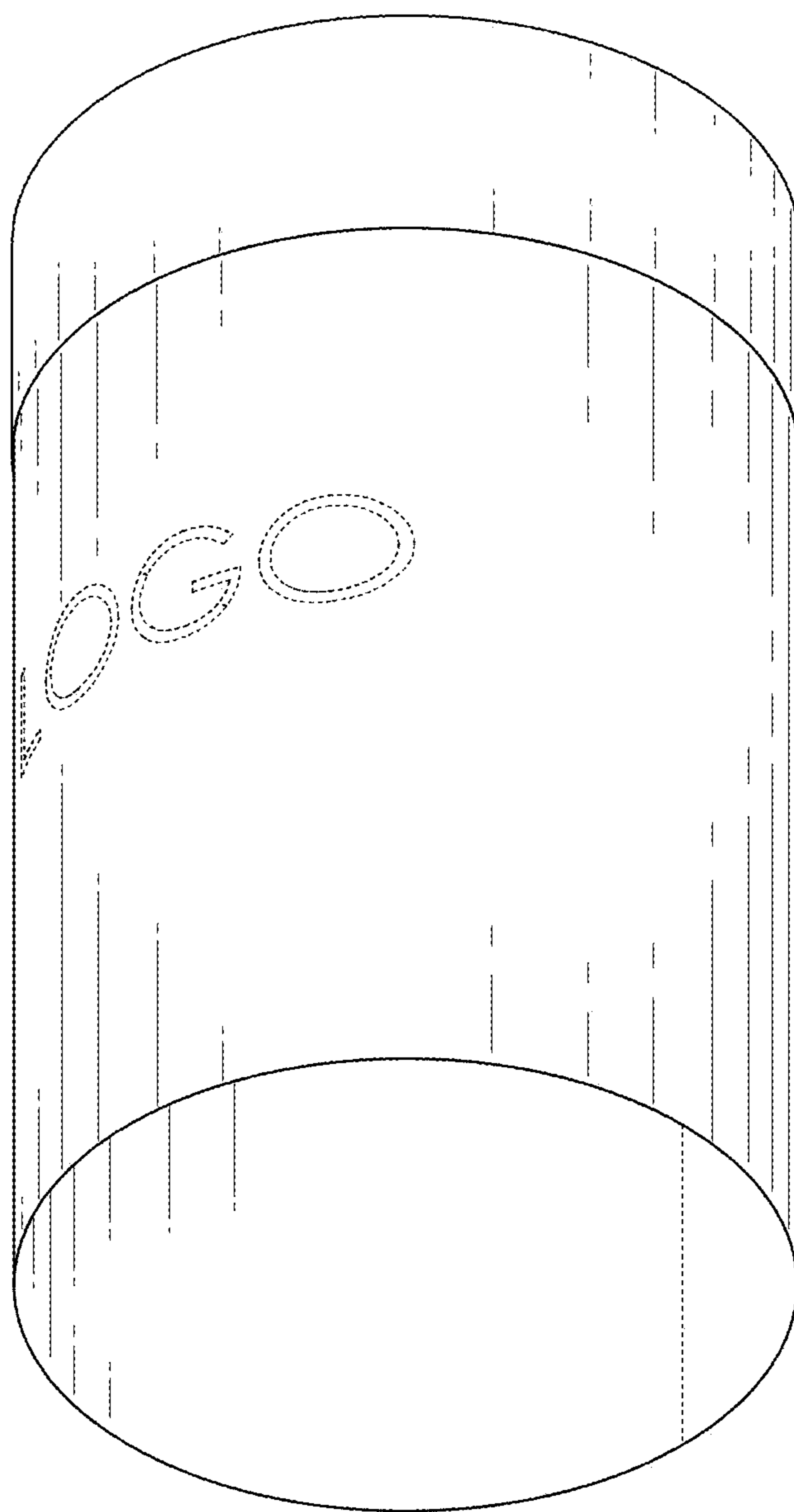


FIG. 2

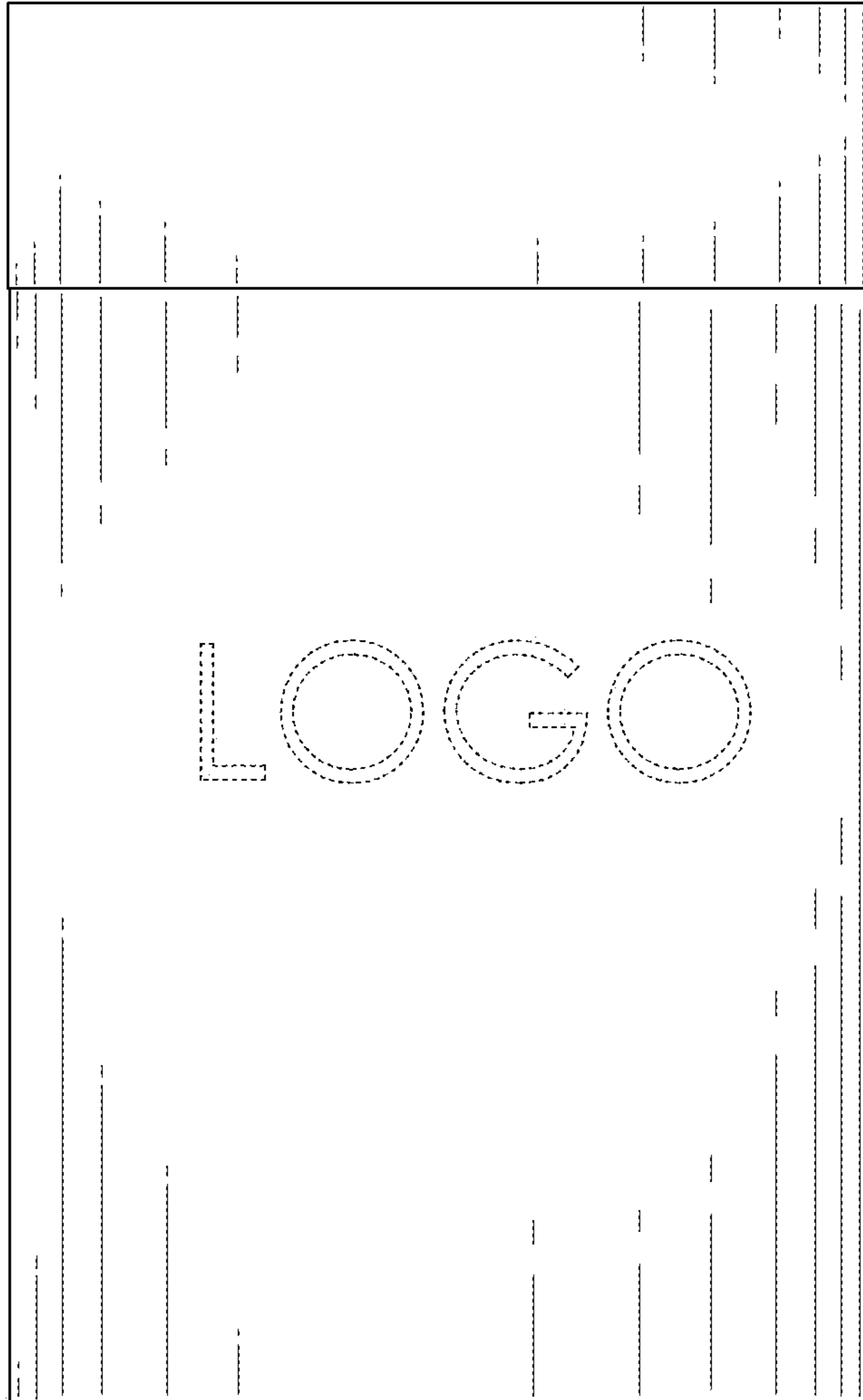


FIG. 3

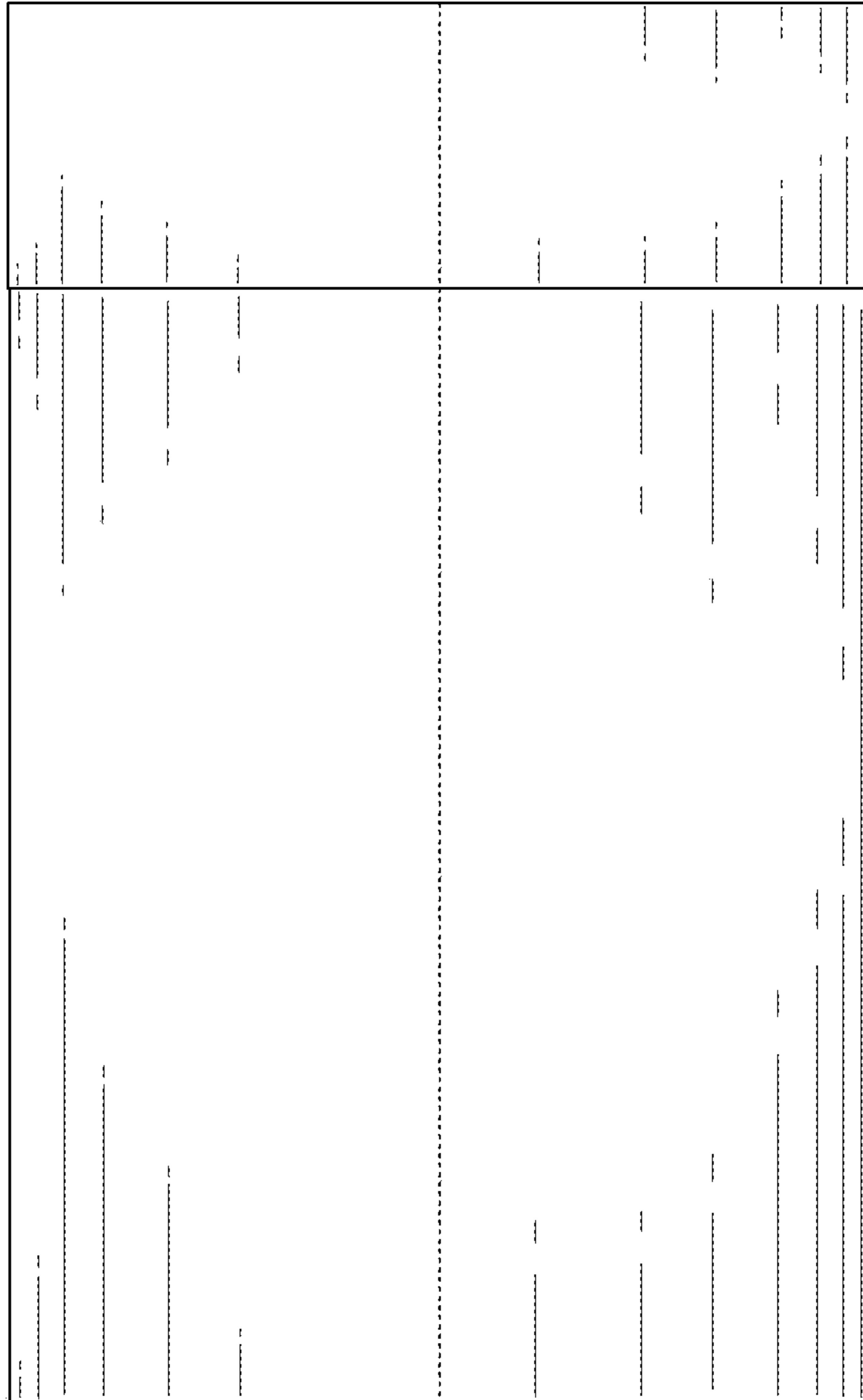


FIG. 4

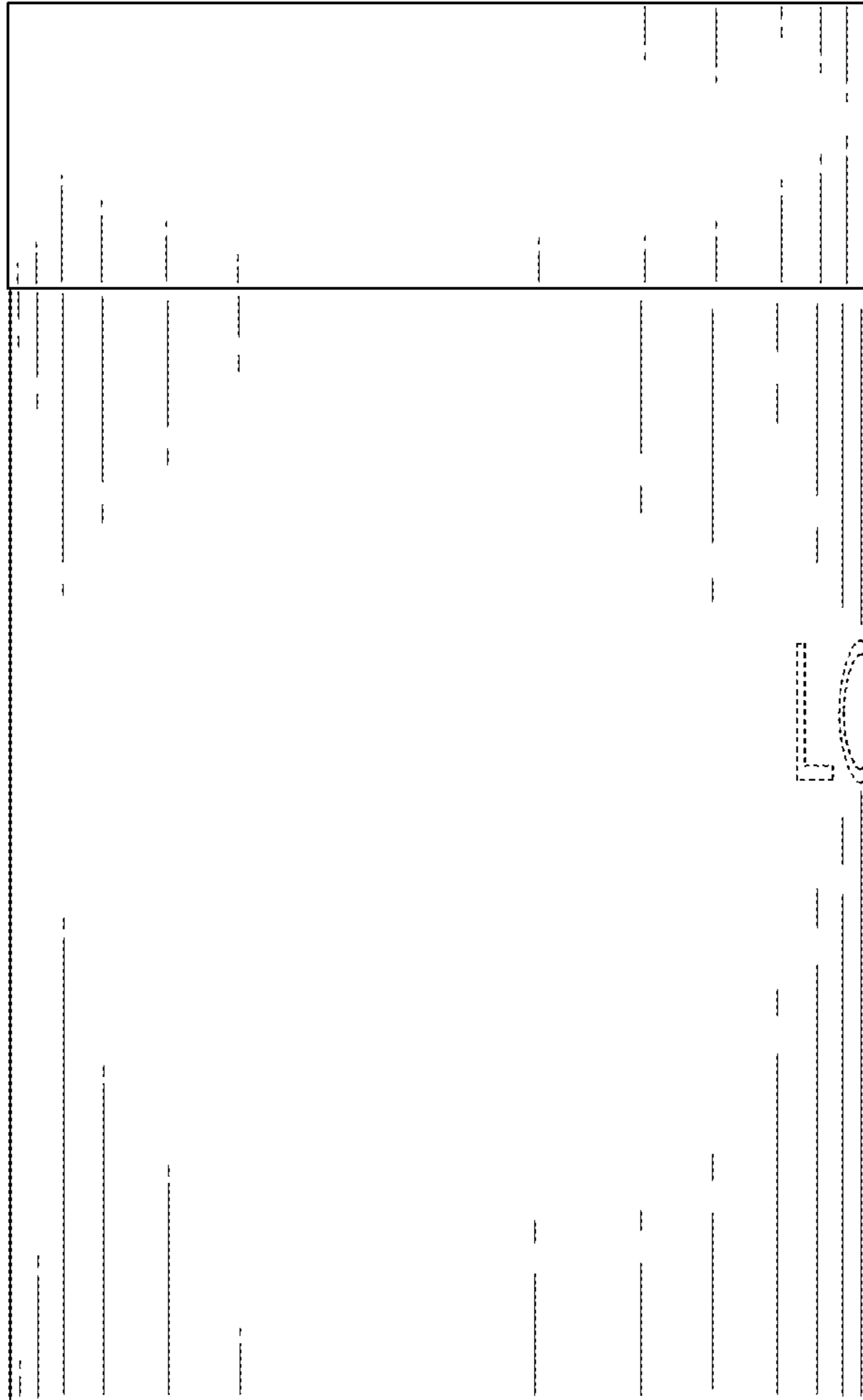


FIG. 5

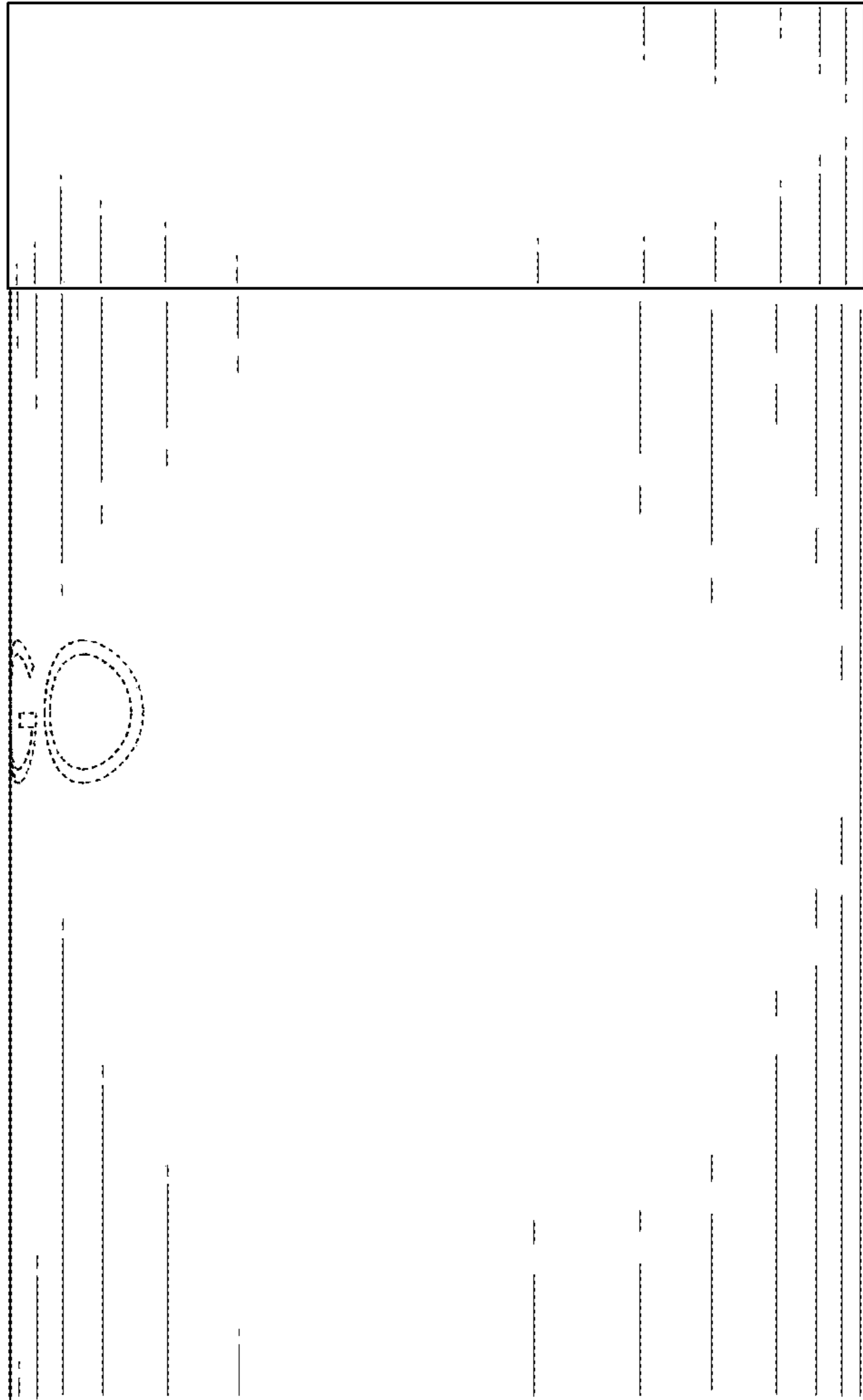


FIG. 6

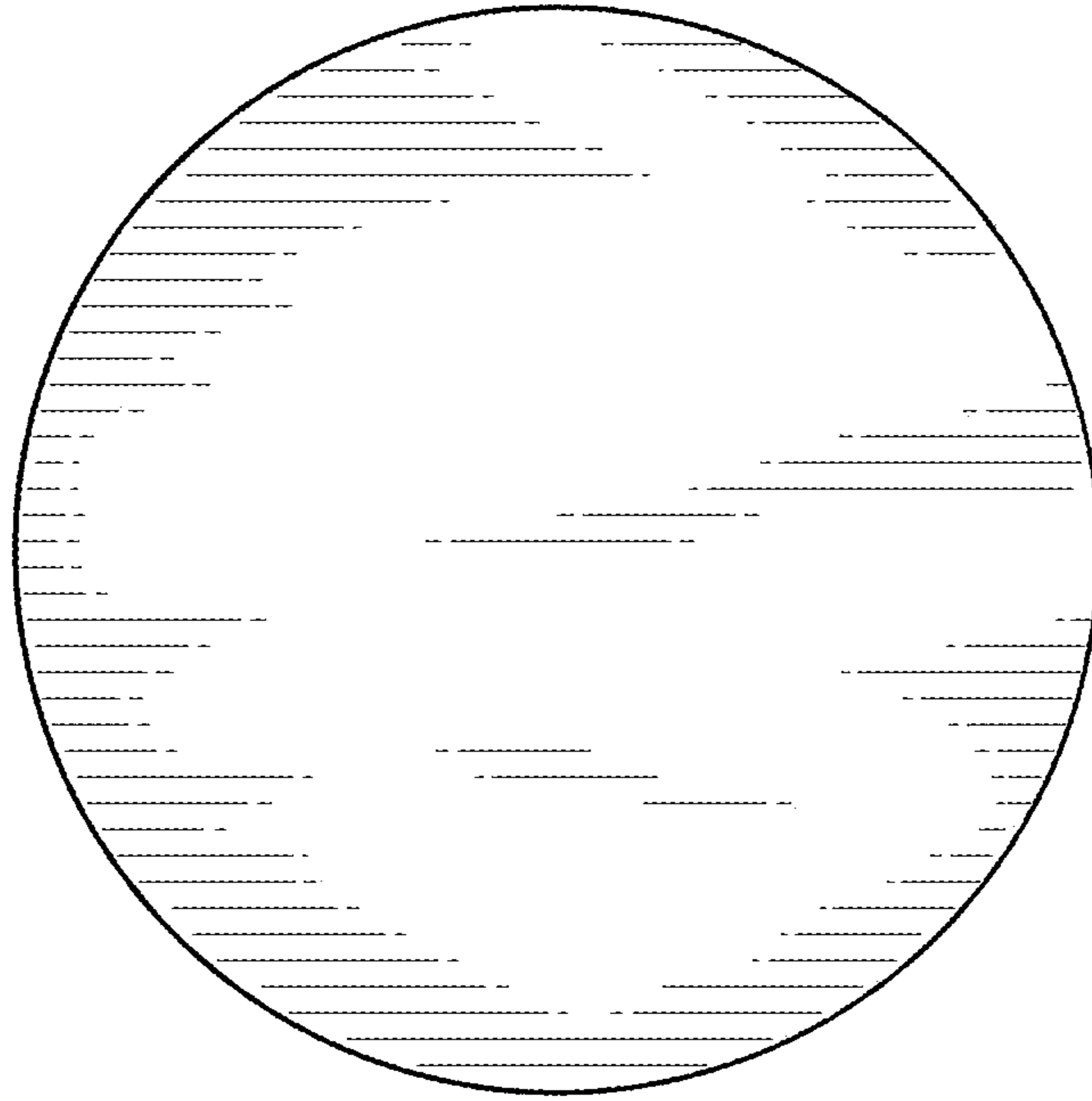


FIG. 7



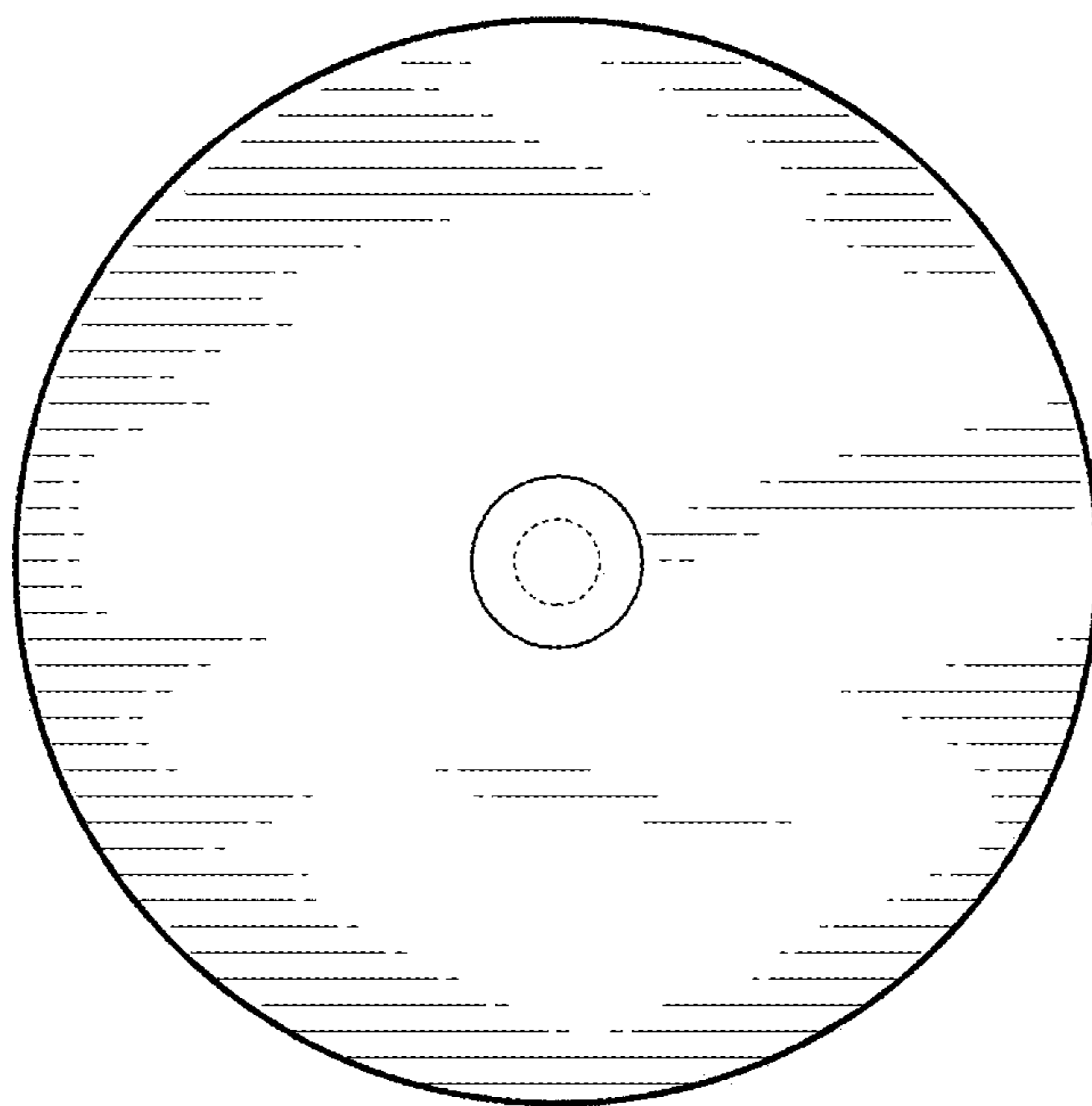


FIG. 8

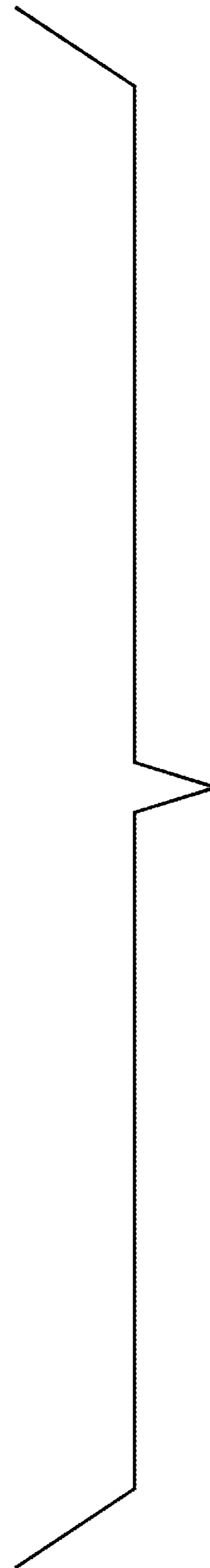
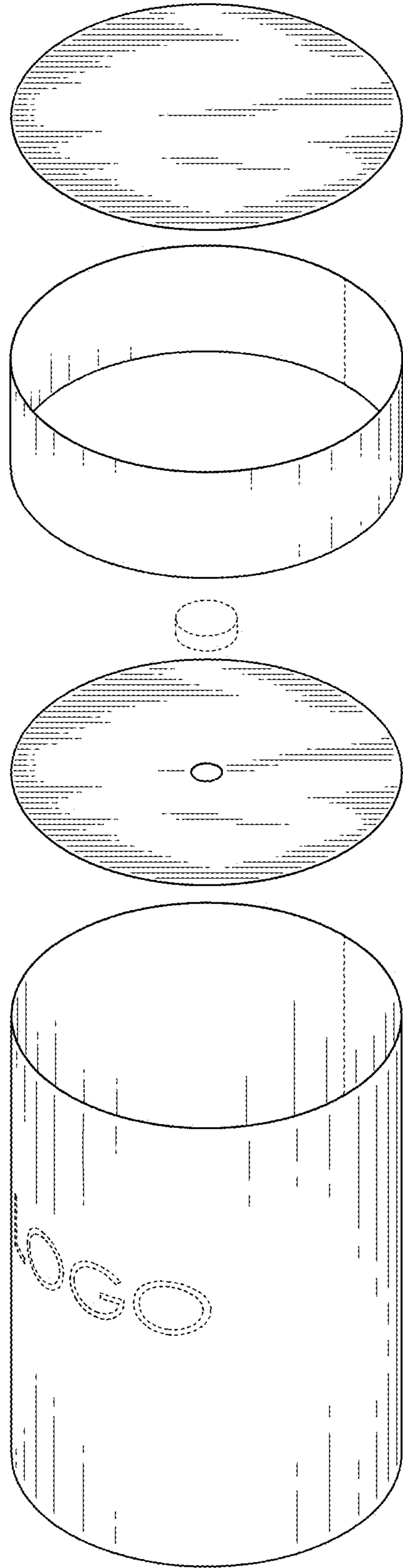


FIG. 9

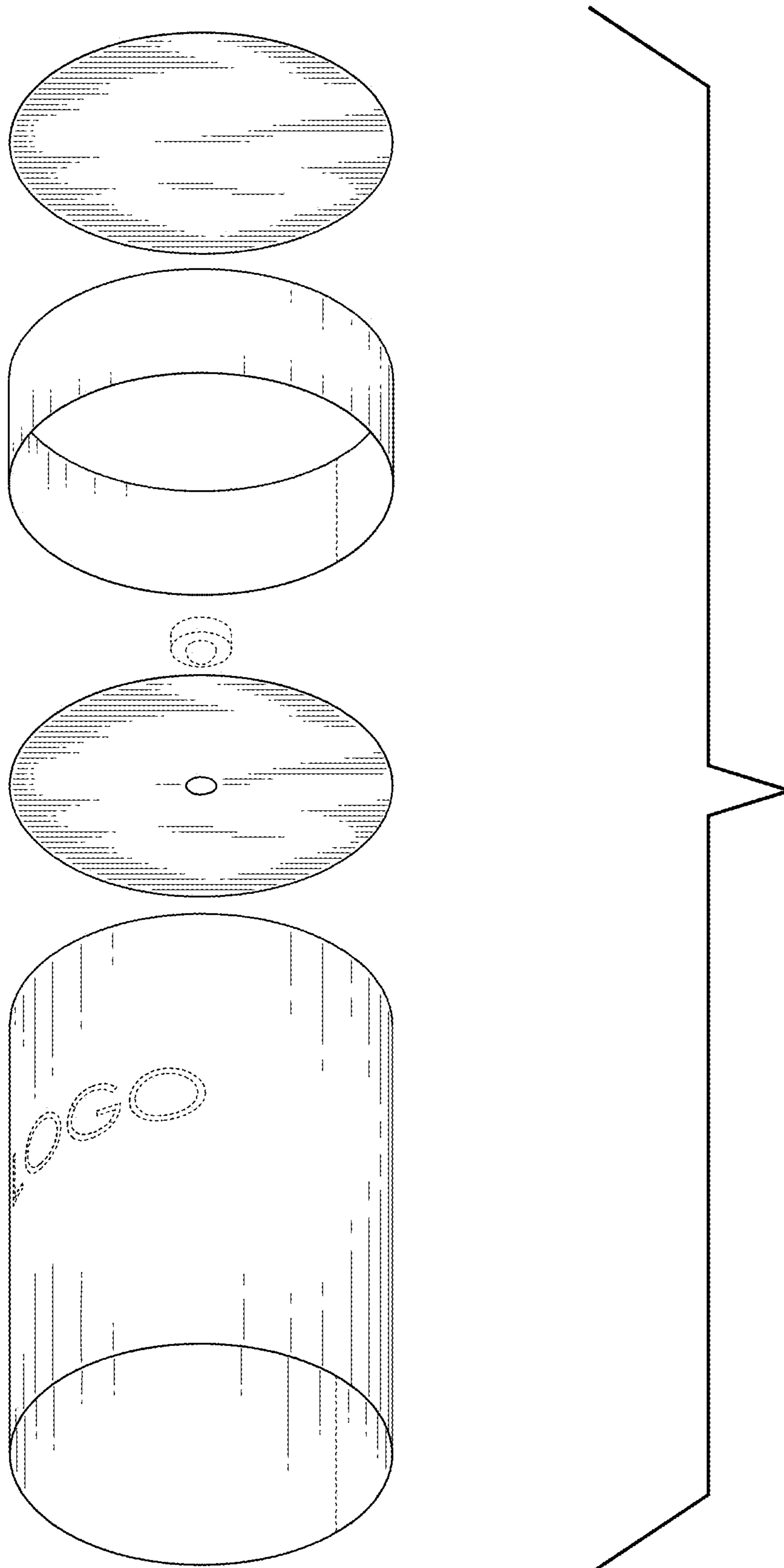


FIG. 10