



US00D885893S

(12) **United States Design Patent**
Tamarindo

(10) **Patent No.:** **US D885,893 S**
(45) **Date of Patent:** **** Jun. 2, 2020**

(54) **CAP**
(71) Applicant: **GUALA PACK S.P.A.**, Castellazzo
Bormida, Alessandria (IT)
(72) Inventor: **Stefano Tamarindo**, Alessandria (IT)
(73) Assignee: **GUALA PACK S.P.A.**, Alessandria
(IT)
(**) Term: **15 Years**
(21) Appl. No.: **35/506,847**
(22) Filed: **Dec. 5, 2018**
(80) **Hague Agreement Data**
Int. Filing Date: **Dec. 5, 2018**
Int. Reg. No.: **DM/201120**
Int. Reg. Date: **Dec. 5, 2018**
Int. Reg. Pub. Date: **May 31, 2019**

D169,266 S * 4/1953 Lehmann D9/443
D207,887 S * 6/1967 Parisson et al. D9/439
D217,543 S * 5/1970 Pomodoro D9/443
D277,459 S * 2/1985 Baum D9/443
D329,980 S * 10/1992 Powell D9/435
D337,526 S * 7/1993 Teo D9/443
5,358,129 A * 10/1994 Watts B65D 50/061
215/206
D354,917 S * 1/1995 Kusz D9/560
D355,022 S * 1/1995 Canther D23/260
D411,451 S * 6/1999 Young D9/443
D454,066 S * 3/2002 Trabal D9/443
D519,380 S * 4/2006 Leoncavallo D7/511
7,048,137 B2 * 5/2006 Leoncavallo B65D 25/56
215/347
D528,921 S * 9/2006 Leoncavallo D7/511
D551,078 S * 9/2007 Last B65D 25/56
D9/445
D631,346 S * 1/2011 Schwartz D9/443
D682,693 S * 5/2013 Cocuzzi D9/443
D735,578 S * 8/2015 Mazurkiewicz D9/443
D742,227 S * 11/2015 Wisniewski D9/443
D743,255 S * 11/2015 Niggemyer D9/435
D787,328 S * 5/2017 van der Molen D9/451
D787,329 S * 5/2017 van der Molen D9/451
D787,330 S * 5/2017 van der Molen D9/451

(Continued)

(30) **Foreign Application Priority Data**
Jun. 5, 2018 (IT) 402018000002438
(51) **LOC (12) Cl.** **09-07**
(52) **U.S. Cl.**
USPC **D9/443; D9/451**
(58) **Field of Classification Search**
USPC D9/434, 441, 443, 451, 499
CPC B65D 47/06; B65D 47/00; B65D 25/40;
B65D 35/38
See application file for complete search history.

Primary Examiner — Robert M. Spear
(74) *Attorney, Agent, or Firm* — Thomas I Horstemeyer,
LLP

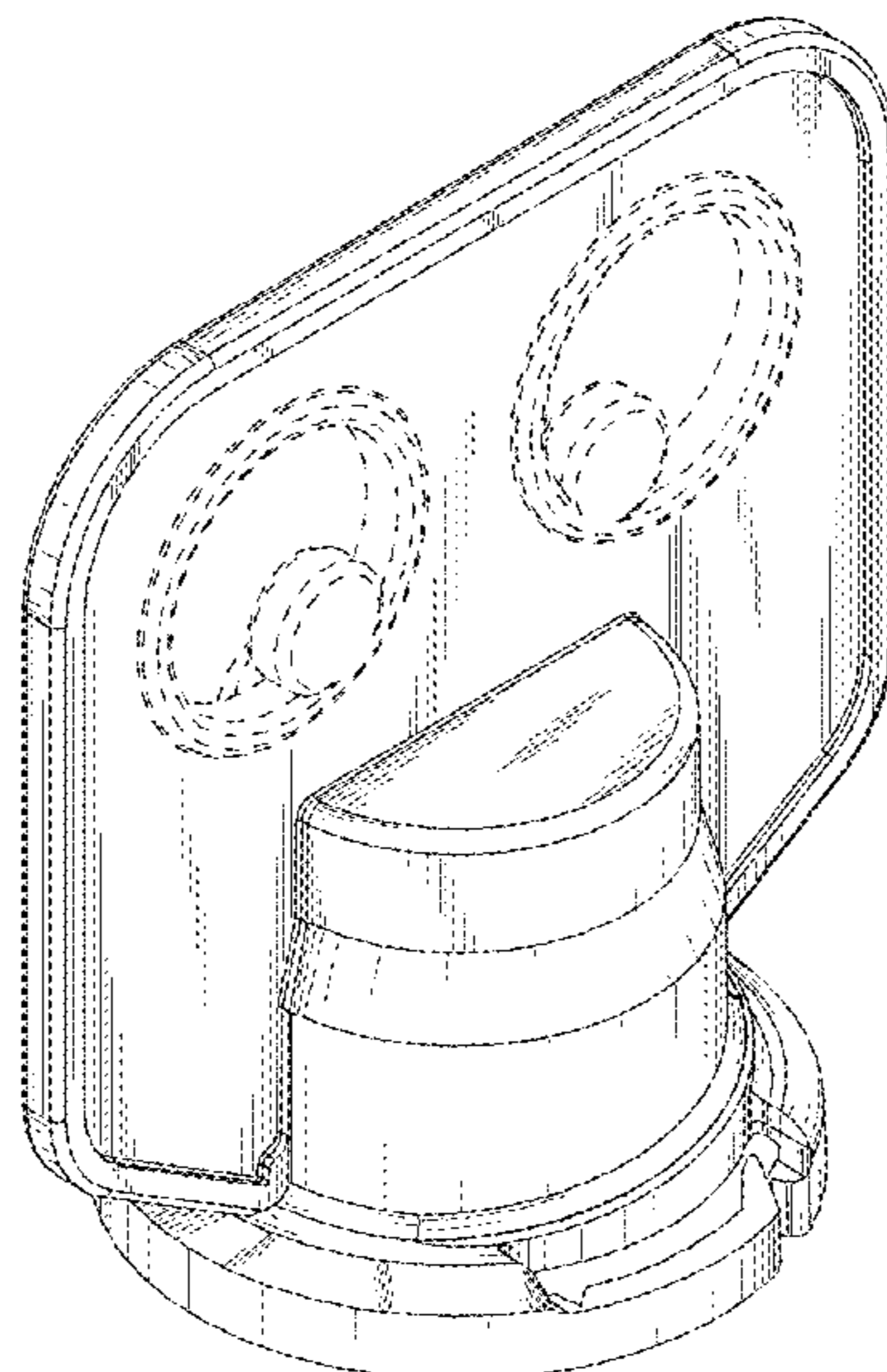
(56) **References Cited**
U.S. PATENT DOCUMENTS
D35,580 S * 1/1902 Meinecke D9/439
D87,342 S * 7/1932 Guerlain D9/545
1,912,084 A * 5/1933 Marcum B65D 47/2031
215/200

(57) **CLAIM**
The ornamental design for a cap, as shown and described.

DESCRIPTION

1. Cap
The design regards a cap; FIG. 1.1 is a perspective view of the design; FIG. 1.2 is a front/rear view thereof; FIG. 1.3 is a left/right view thereof; FIG. 1.4 is a top view thereof; the broken lines depict environmental subject matter only and form no part of the claimed design.

1 Claim, 4 Drawing Sheets



(56)

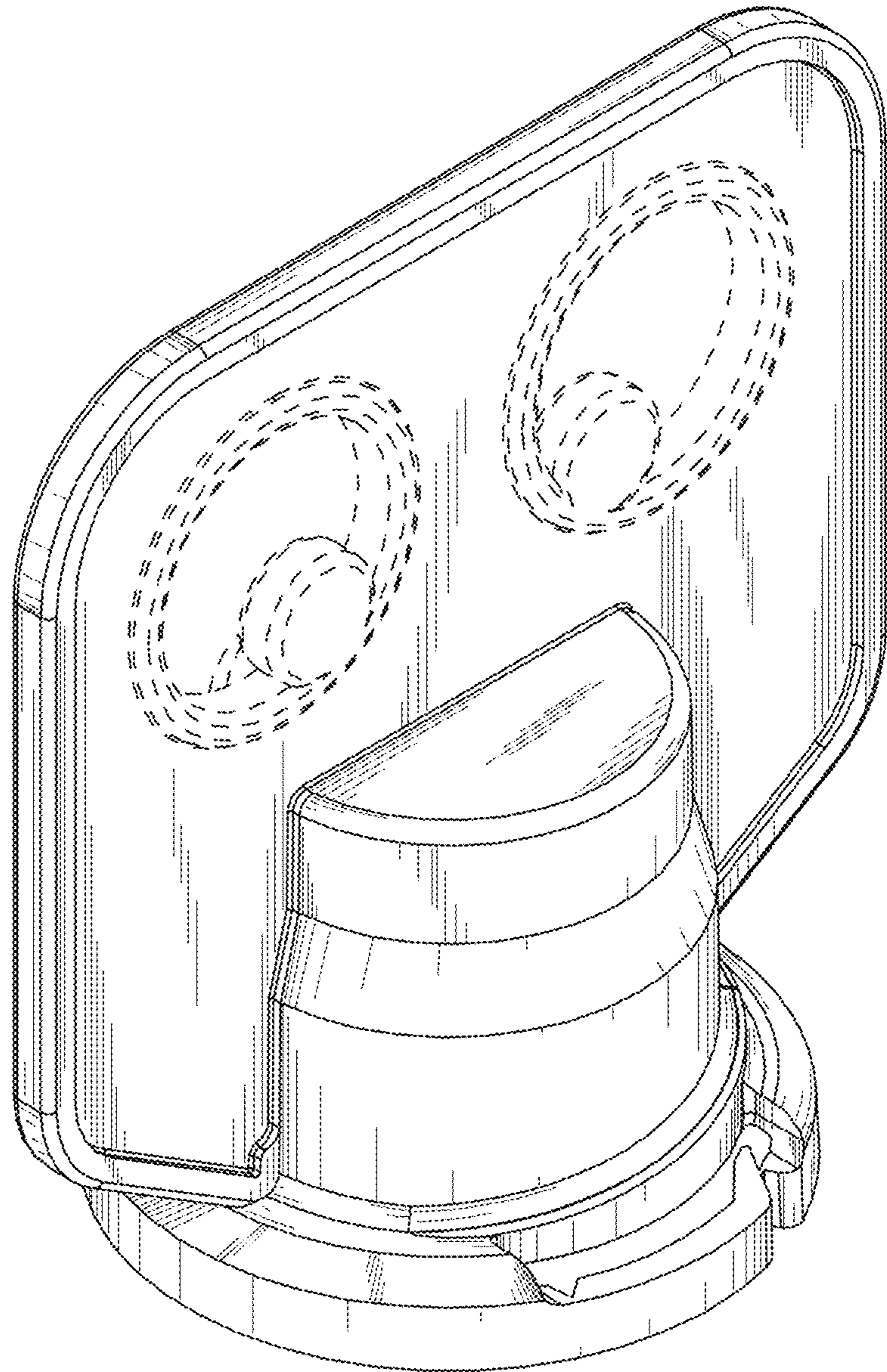
References Cited

U.S. PATENT DOCUMENTS

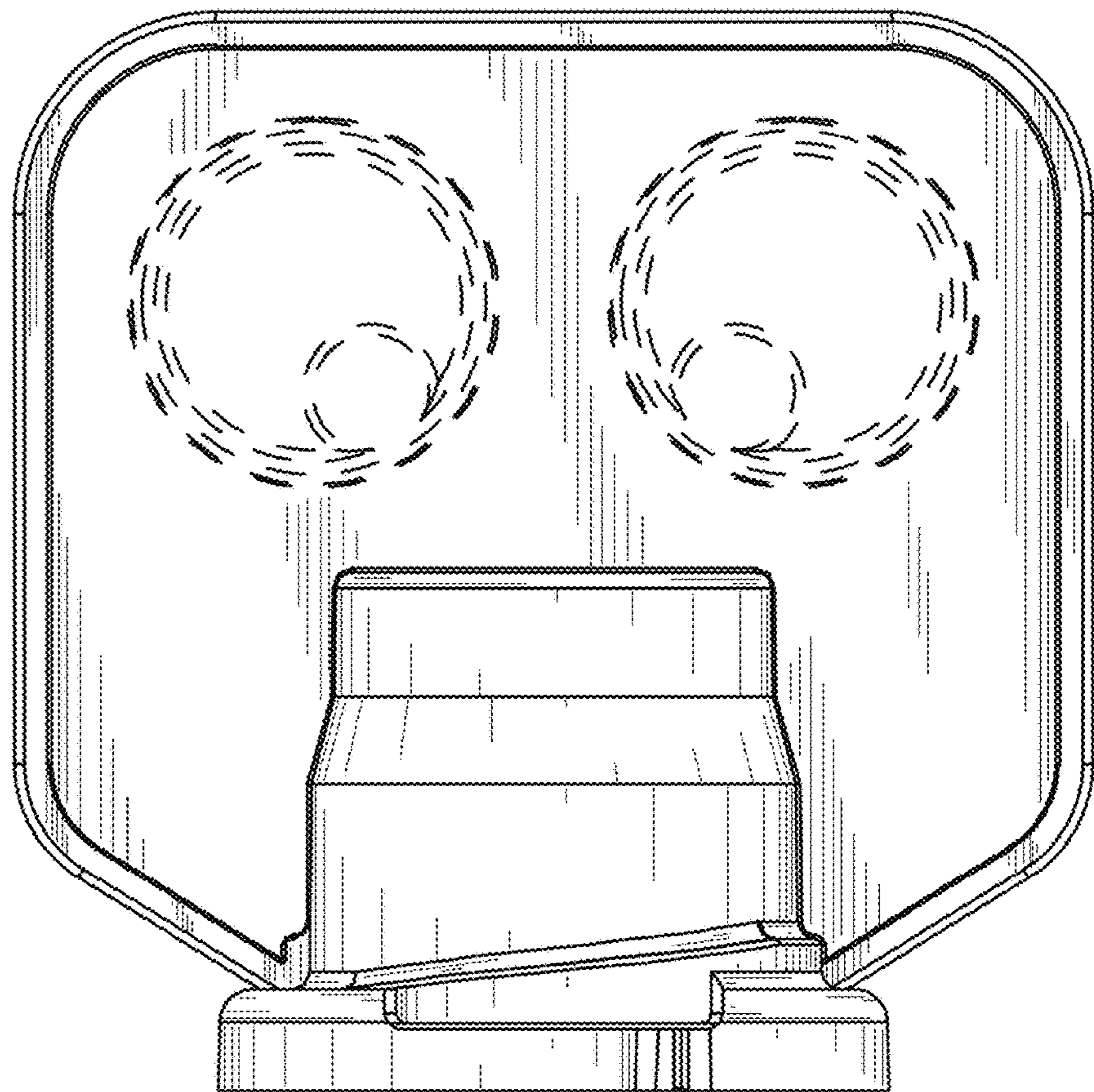
D799,322 S * 10/2017 Tamarindo B65D 50/061
D9/451
D803,054 S * 11/2017 van Spronsen D9/443
D873,655 S * 1/2020 Rosebrook D9/415

* cited by examiner

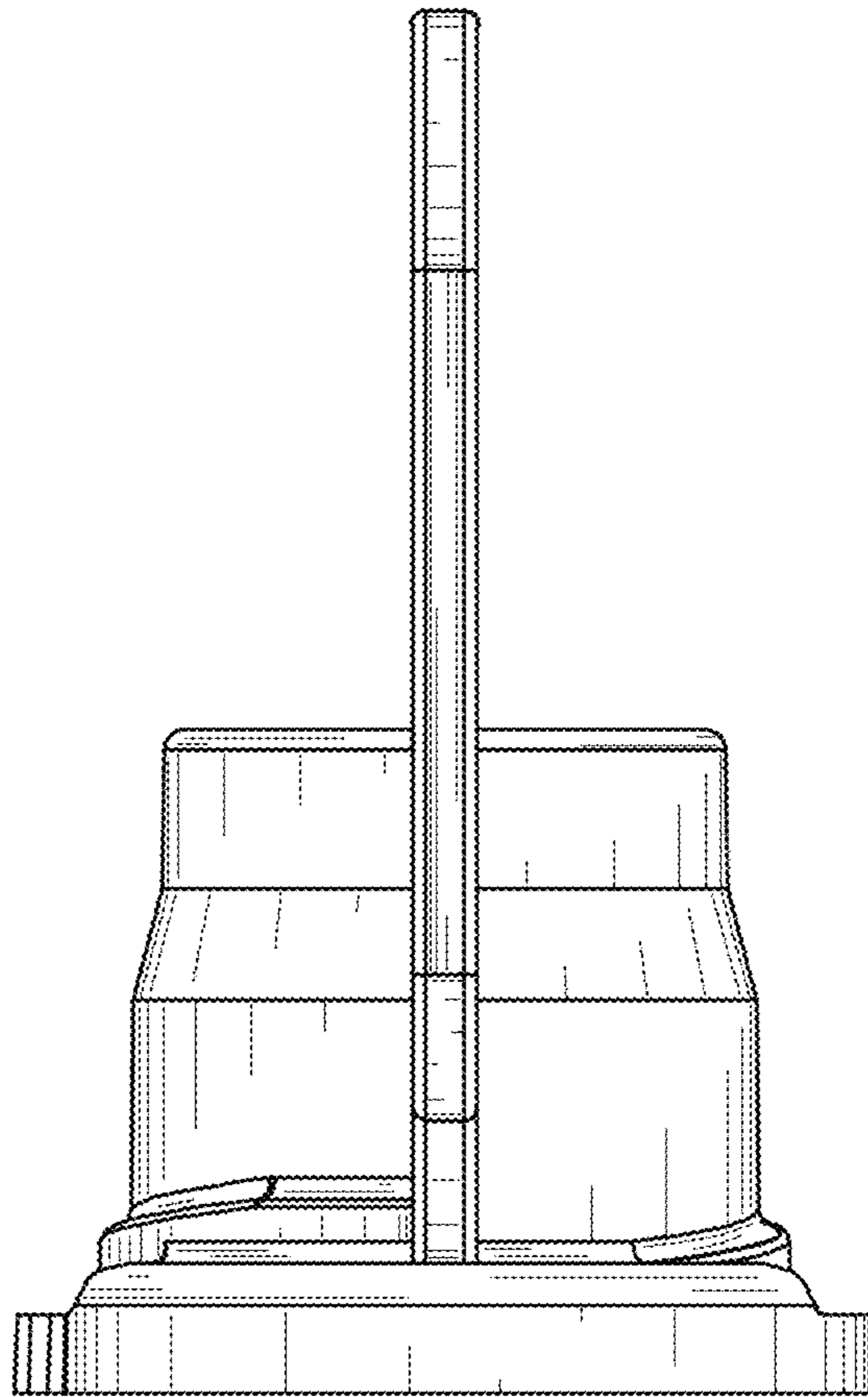
1.1



1.2



1.3



1.4

