



US00D885892S

(12) **United States Design Patent** (10) **Patent No.:** **US D885,892 S**
Paquet (45) **Date of Patent:** **** Jun. 2, 2020**

(54) **CAP COVER**

(71) Applicant: **Intel Plastics Inc.**, North York, Ontario (CA)

(72) Inventor: **Ken Paquet**, North York (CA)

(**) Term: **15 Years**

(21) Appl. No.: **29/651,574**

(22) Filed: **Sep. 24, 2018**

(51) **LOC (12) Cl.** **09-07**

(52) **U.S. Cl.**
USPC **D9/443**

(58) **Field of Classification Search**
USPC D7/392, 392.1, 396.2; D9/434-436, 443, D9/447, 449, 454, 499
CPC ... B65D 23/108; B65D 25/2802; B65D 25/32
See application file for complete search history.

(56) **References Cited**

U.S. PATENT DOCUMENTS

D438,354 S *	2/2001	Cann	D32/35
D454,066 S *	3/2002	Trabal	D9/443
D458,133 S *	6/2002	Berish	D9/443
D572,585 S *	7/2008	Perrin	D9/443
D616,744 S *	6/2010	Cresswell	D9/443
D620,798 S *	8/2010	Cresswell	D9/443
D621,257 S *	8/2010	Gullickson	D9/443
D631,666 S *	2/2011	Lim	D4/129
D635,457 S *	4/2011	Lane	D7/511
D657,196 S *	4/2012	Beyers, III	D7/513
D664,809 S *	8/2012	Eyal	D7/510
D665,621 S *	8/2012	Eyal	D7/392.1
D693,170 S *	11/2013	Rosbach	D7/392.1
D705,544 S *	5/2014	Masalin	D4/129
D759,902 S *	6/2016	Kim	D29/125
D760,081 S *	6/2016	Berge	D9/447
D772,481 S	11/2016	Paquet	
D786,671 S *	5/2017	Khetarpaul	D7/394
D787,741 S	5/2017	Paquet	

D791,532 S *	7/2017	Yao	D7/392.1
D796,261 S *	9/2017	Khalifa	D7/392.1
D801,582 S	10/2017	Paquet	
D804,304 S *	12/2017	Pearson	D9/443
D847,630 S *	5/2019	Cotan	D9/439
D860,719 S *	9/2019	Eyal	D7/392.1
2017/0007003 A1	1/2017	Paquet	

OTHER PUBLICATIONS

Beauty Independent. A Dozen Big-Time Beauty Trends That Stole The Show At IBE LA 2019 by Claire McCormack and Rachel Brown. Feb. 7, 2019. <https://www.beautyindependent.com/first-dozen-big-time-beauty-trends-2019-ibe-la/> (Year: 2019).*
Pogo Lips. Berry Reef—Lip Balm refill. No date specified. <https://pogolips.com/product/berryreef/?v=7516fd43adaa> (Year: 0).*

* cited by examiner

Primary Examiner — Darcey E Gottschalk

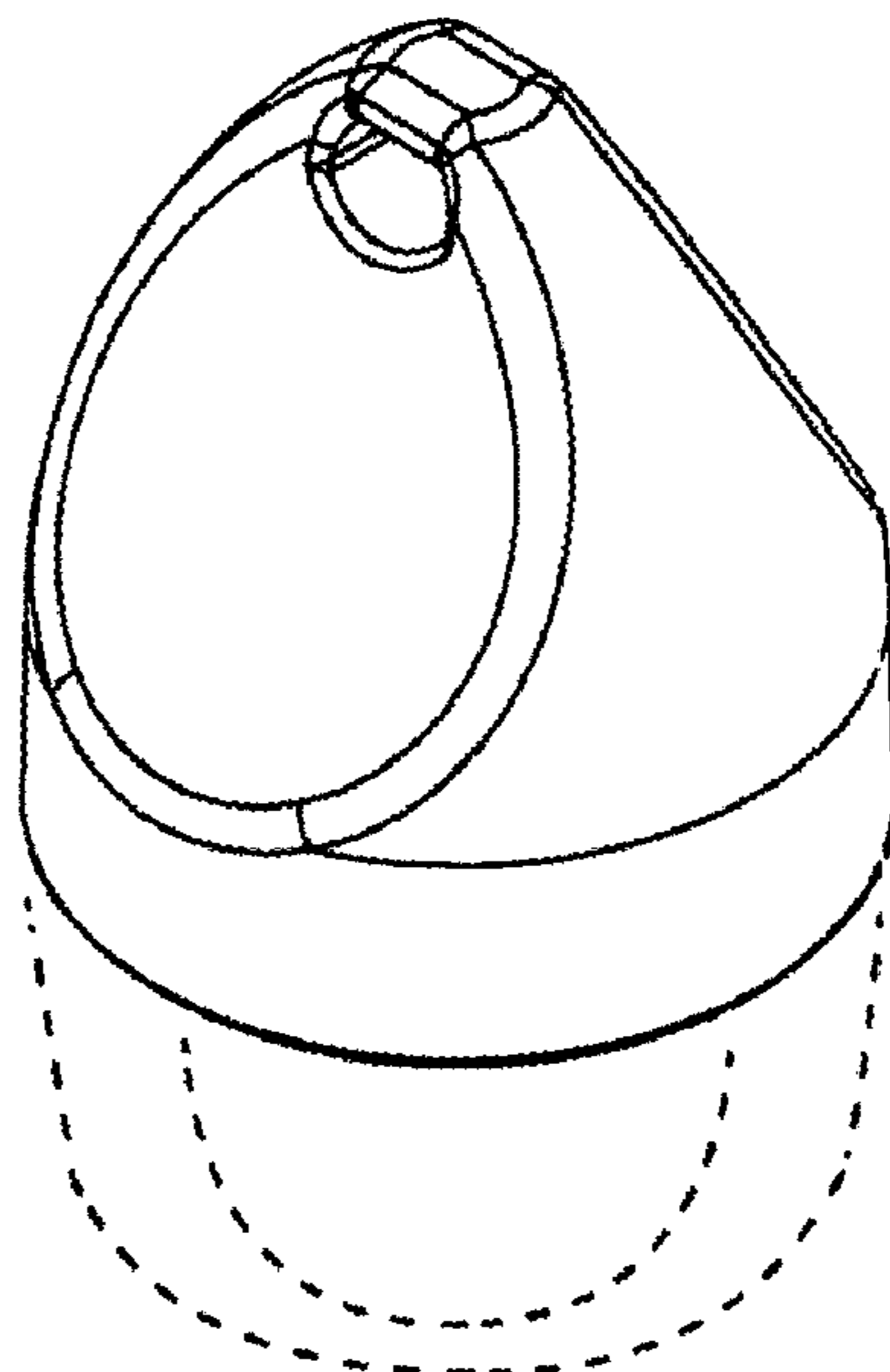
(57) **CLAIM**

The ornamental design for a cap cover, as shown and described.

DESCRIPTION

FIG. 1 is a top isometric view of a cap cover showing my new design;
FIG. 2 is a front elevational view thereof, the rear elevational being identical;
FIG. 3 is a right side view thereof, the left side being identical;
FIG. 4 is a top view thereof;
FIG. 5 is a bottom view thereof; and,
FIG. 6 is a view like that of FIG. 1 only showing, in dotted line, an exemplary product with which the cap cover of my design may be used.
The elements shown in dotted line form no part of the invention.

1 Claim, 2 Drawing Sheets



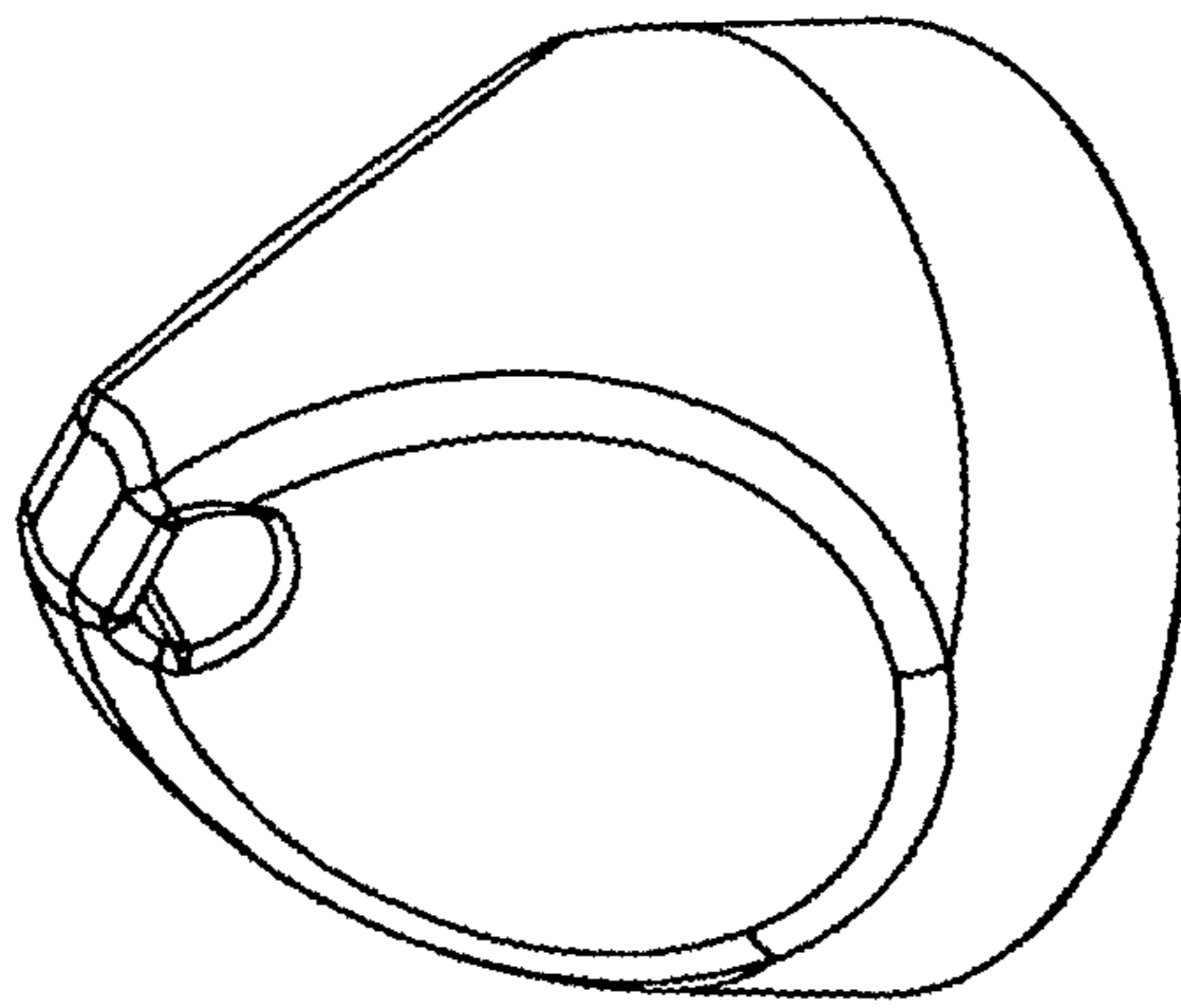


FIG. 1

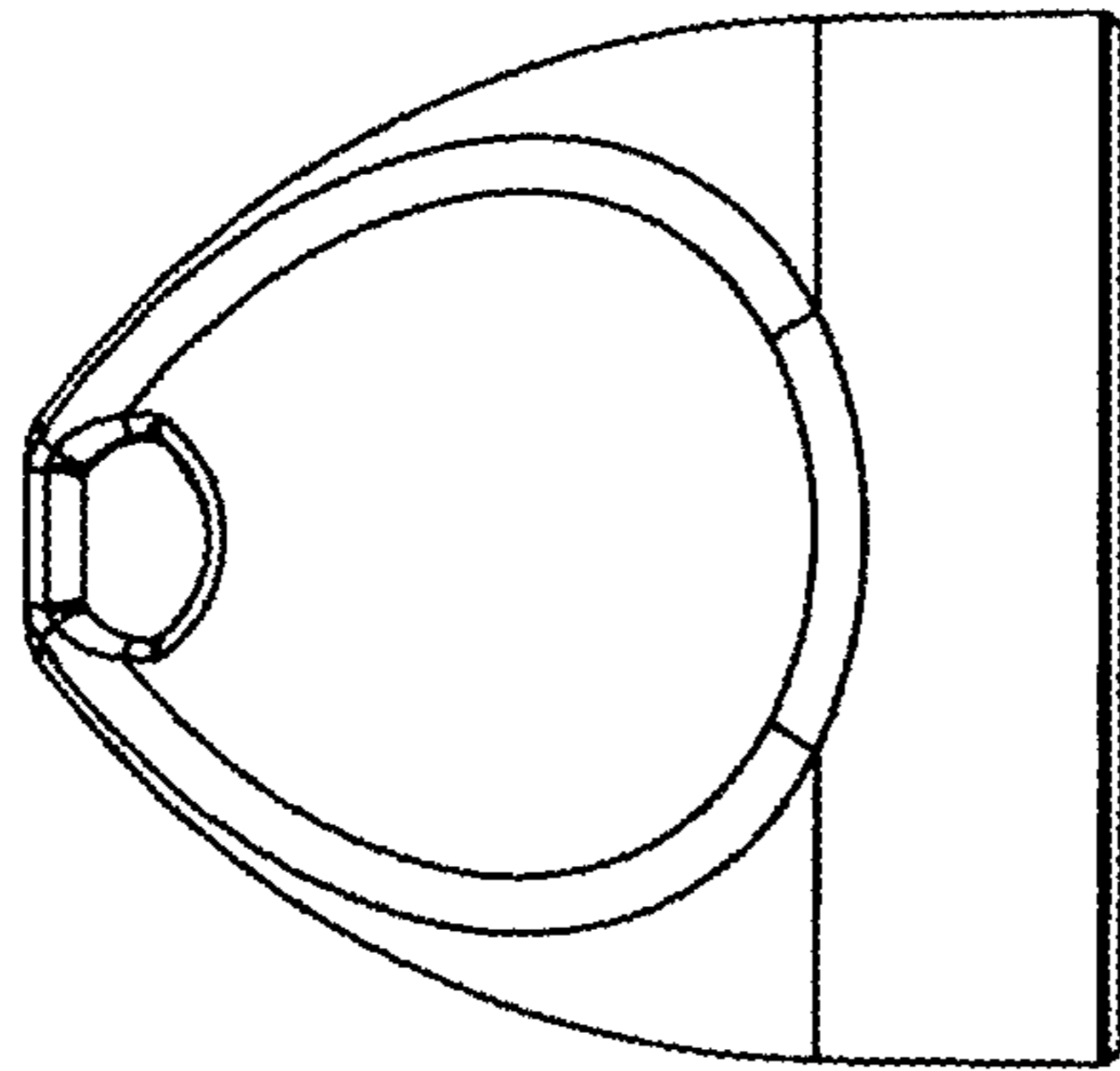


FIG. 2

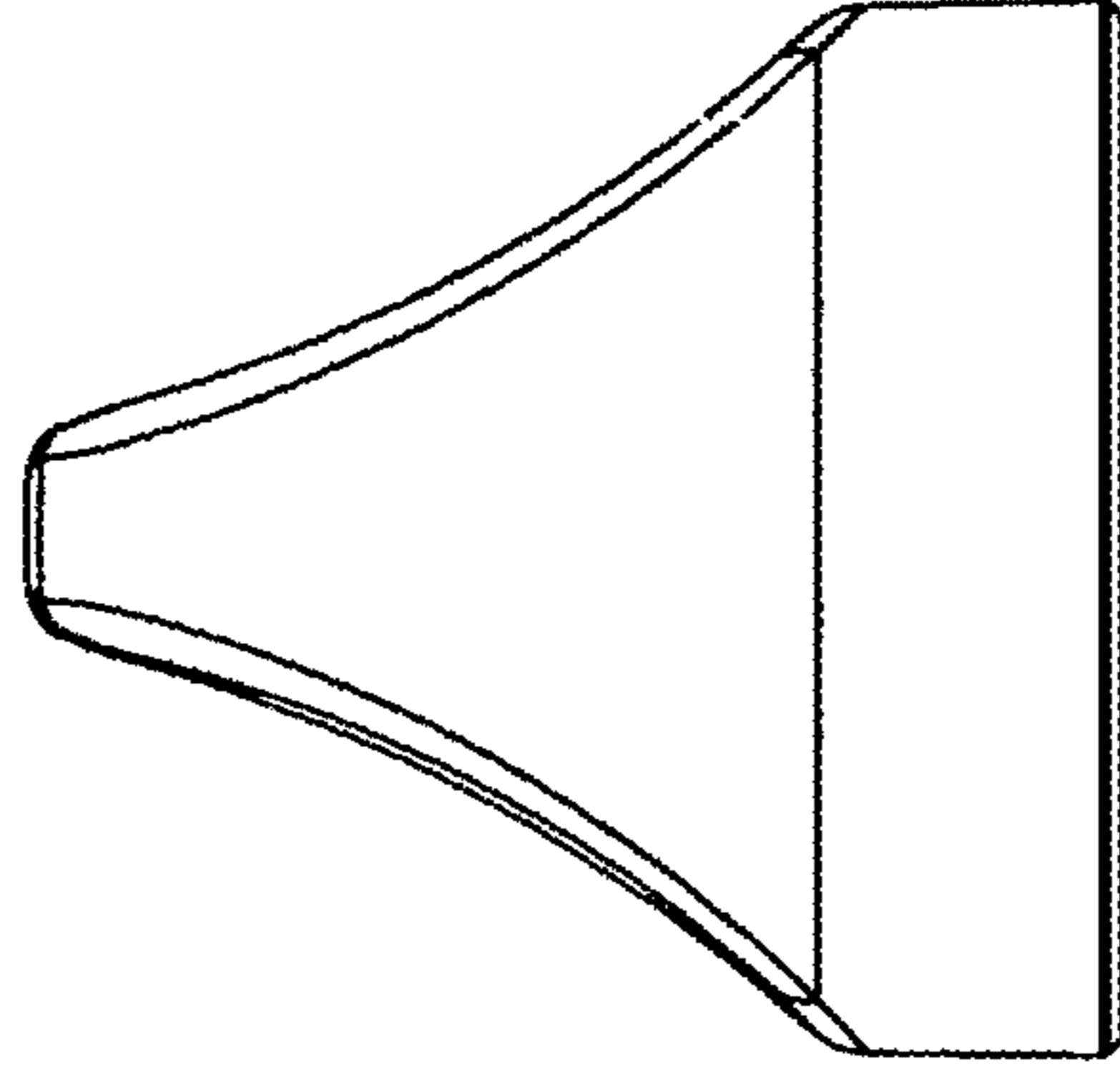


FIG. 3

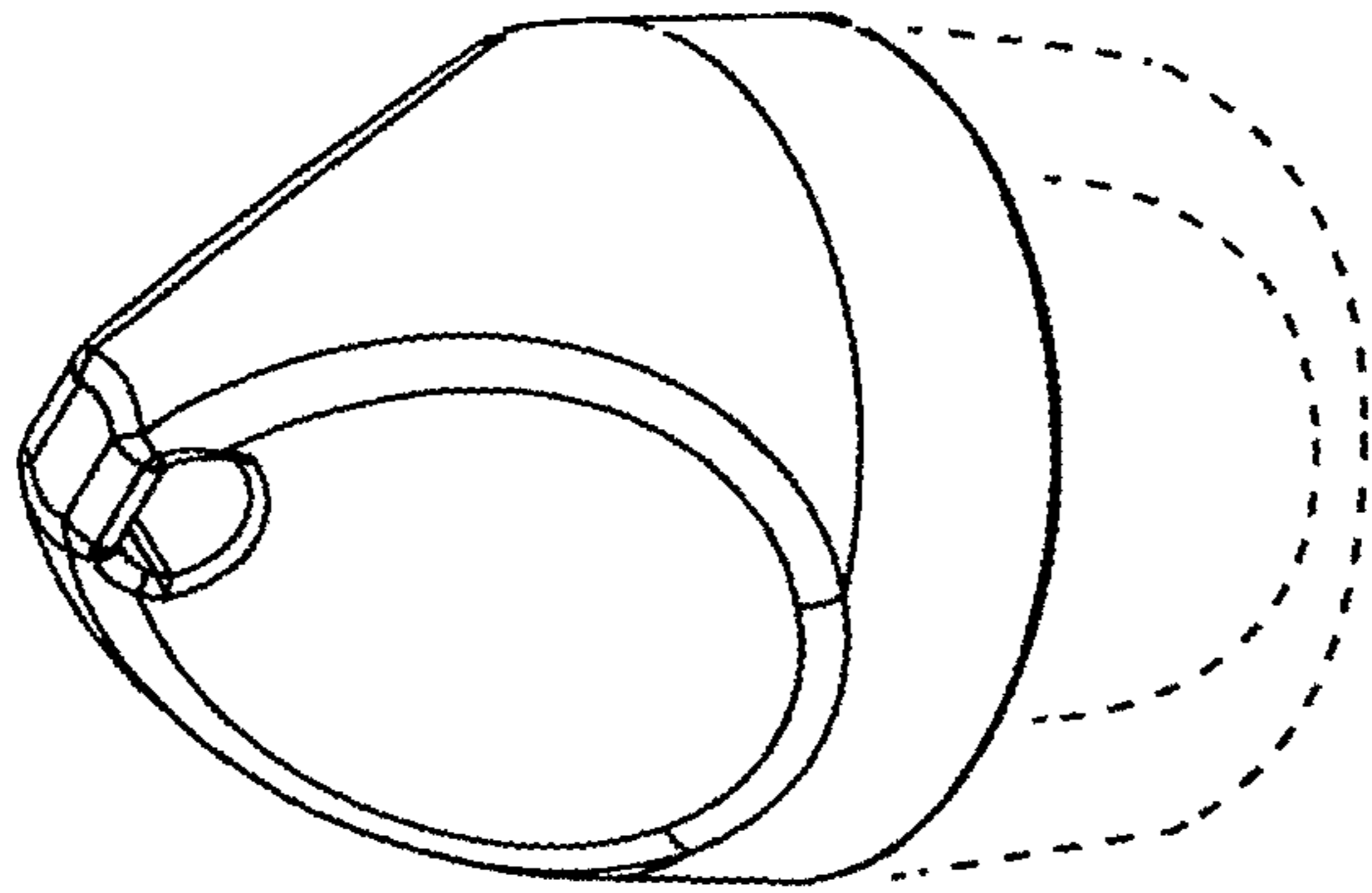


FIG. 6

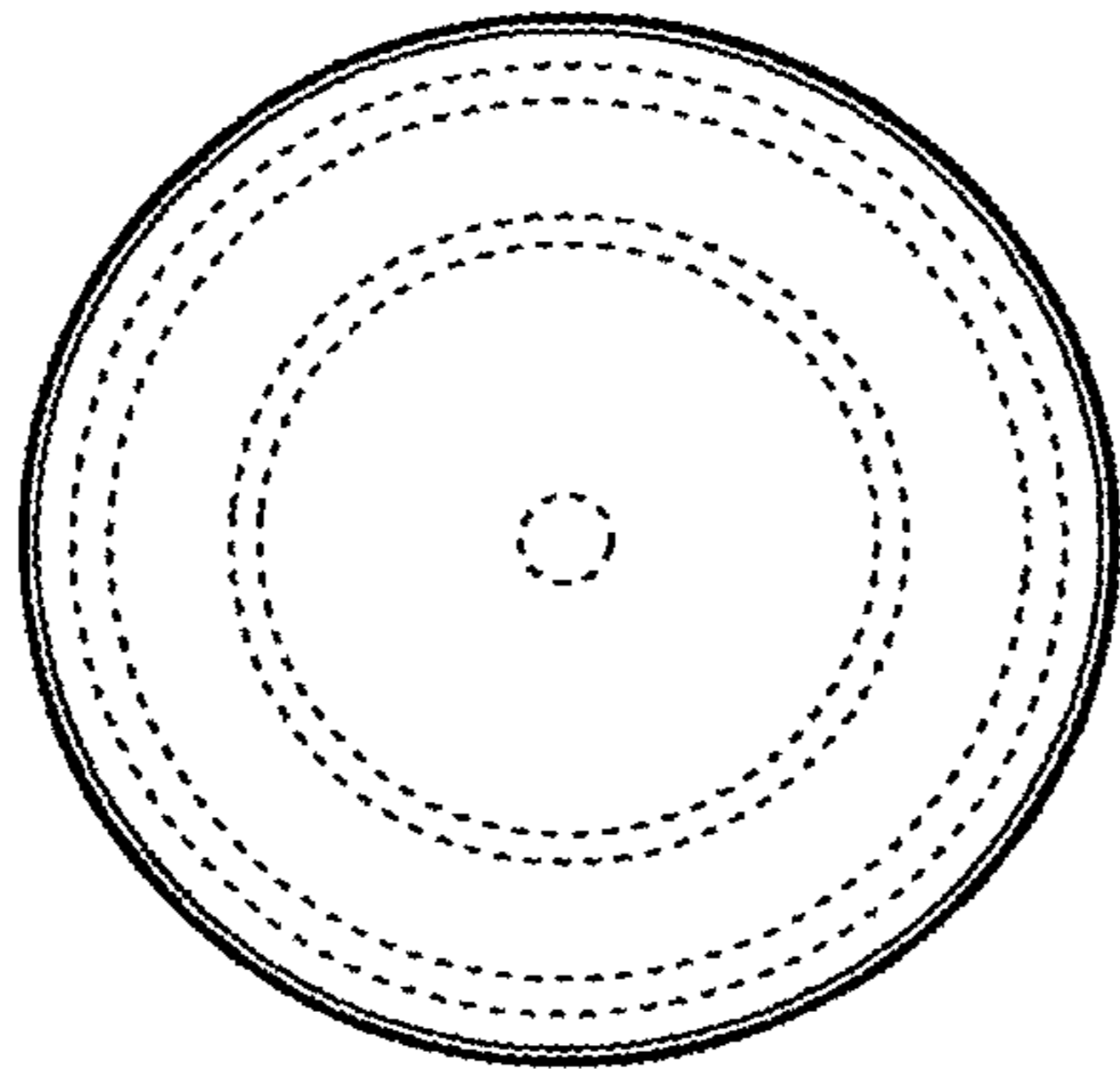


FIG. 5

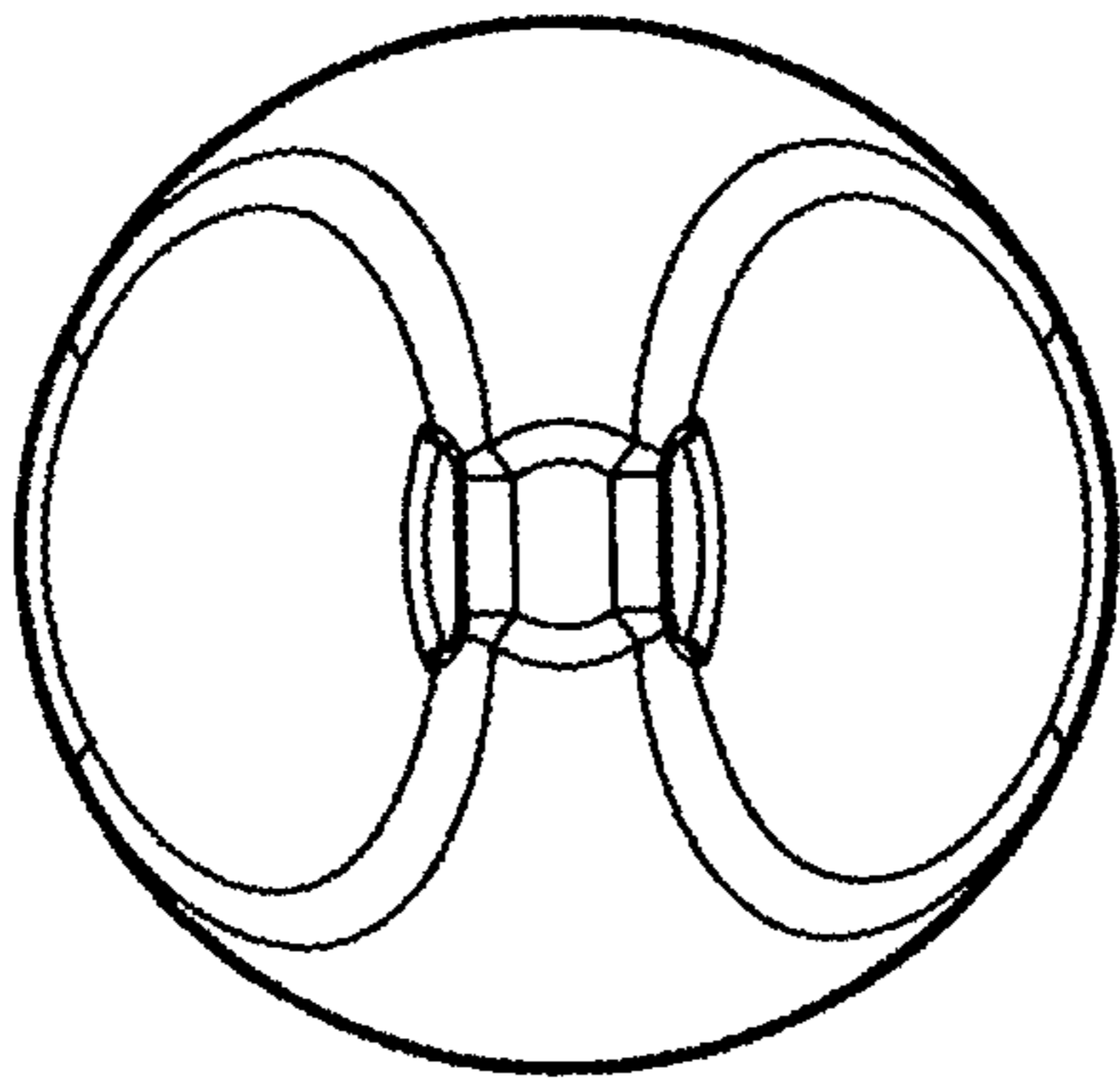


FIG. 4