



US00D885886S

(12) **United States Design Patent**
Sahin

(10) **Patent No.:** **US D885,886 S**

(45) **Date of Patent:** **** Jun. 2, 2020**

(54) **CONTAINER**

(71) Applicant: **POLIPA NORTH AMERICA LLC**,
Princeton, NJ (US)

(72) Inventor: **Yusuf Sahin**, Princeton, NJ (US)

(73) Assignee: **POLIPA NORTH AMERICA LLC**,
Princeton, NJ (US)

(**) Term: **15 Years**

(21) Appl. No.: **29/632,771**

(22) Filed: **Jan. 10, 2018**

(51) **LOC (12) Cl.** **09-03**

(52) **U.S. Cl.**
USPC **D9/425**

(58) **Field of Classification Search**
USPC D7/400, 601, 608; D9/416, 417, 420,
D9/425-429, 430, 432, 761; 206/499,
206/501, 502, 821; 220/625, 656, 669,
220/670, 674; 229/123.1, 123.2, 125.33,
229/125.35, 400-407, 915, 939
CPC . B65D 1/26; B65D 1/40; B65D 5/243; B65D
81/3453; B65D 2581/34; B65D
2581/3404; B65D 2581/3456

See application file for complete search history.

(56) **References Cited**

U.S. PATENT DOCUMENTS

D248,215 S * 6/1978 Cherry D9/418
6,484,889 B1 * 11/2002 Cagner B65D 5/503
206/278
D473,711 S * 4/2003 Bassignani D3/270
D584,053 S * 1/2009 Abdo D3/302

D610,406 S * 2/2010 Rauckman D7/538
D617,558 S * 6/2010 Myers D3/302
D675,020 S * 1/2013 Mu D3/302
D716,078 S * 10/2014 Theisen D6/675
D733,320 S * 6/2015 Perry D24/231

* cited by examiner

Primary Examiner — Janice Patyk

(74) *Attorney, Agent, or Firm* — Sughrue Mion, PLLC

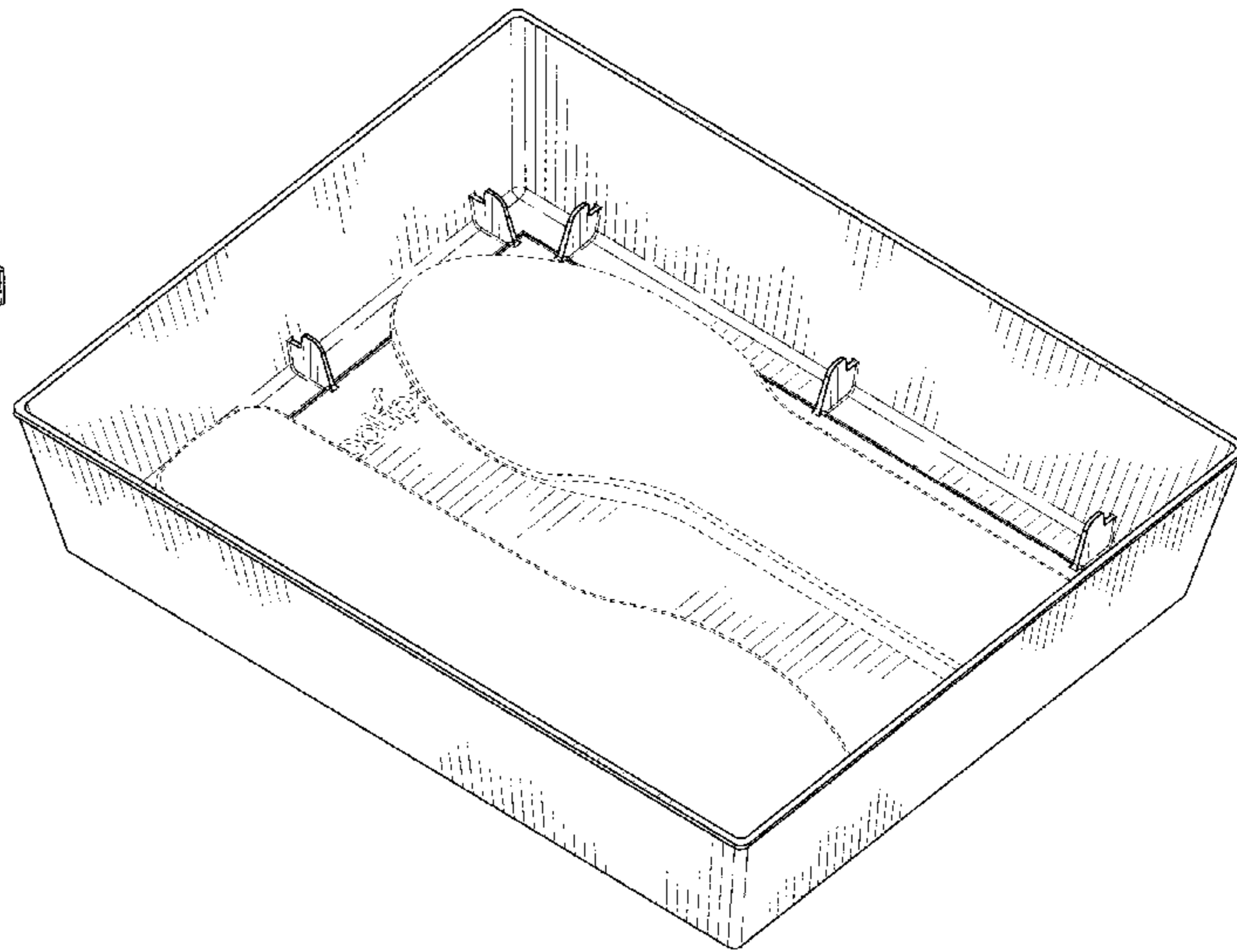
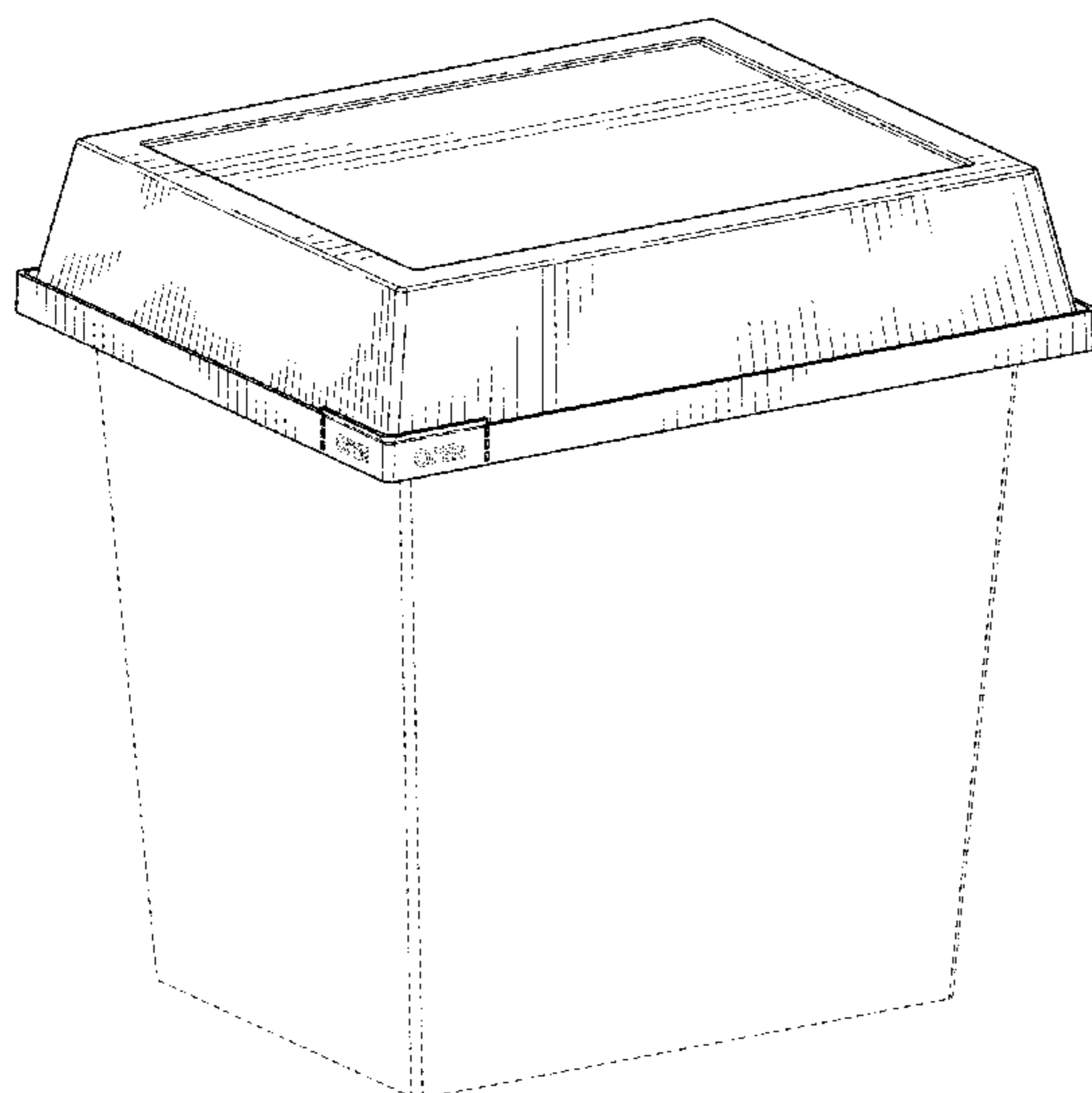
(57) **CLAIM**

The ornamental design for a container, as shown and described.

DESCRIPTION

FIG. 1 is a front perspective view of a container, showing my new design;
FIG. 2 is a front perspective view of the container, shown without the lid for ease of illustration;
FIG. 3 is a bottom perspective view of the container, shown without the environmental body for ease of illustration;
FIG. 4 is a front view of the container;
FIG. 5 is a right side view of the container;
FIG. 6 is a bottom view of the container;
FIG. 7 is a rear view of the container;
FIG. 8 is a left side view of the container;
FIG. 9 is a top view of the container; and,
FIG. 10 is a bottom view of the container, shown without the environmental body for ease of illustration.
The broken lines in the figures illustrate the portions of the design that form no part of the claimed design.
The broken line body portion shown in FIGS. 1, 2, 4, 5, 7, and 8 illustrates environmental subject matter that forms no part of the claimed design.

1 Claim, 10 Drawing Sheets



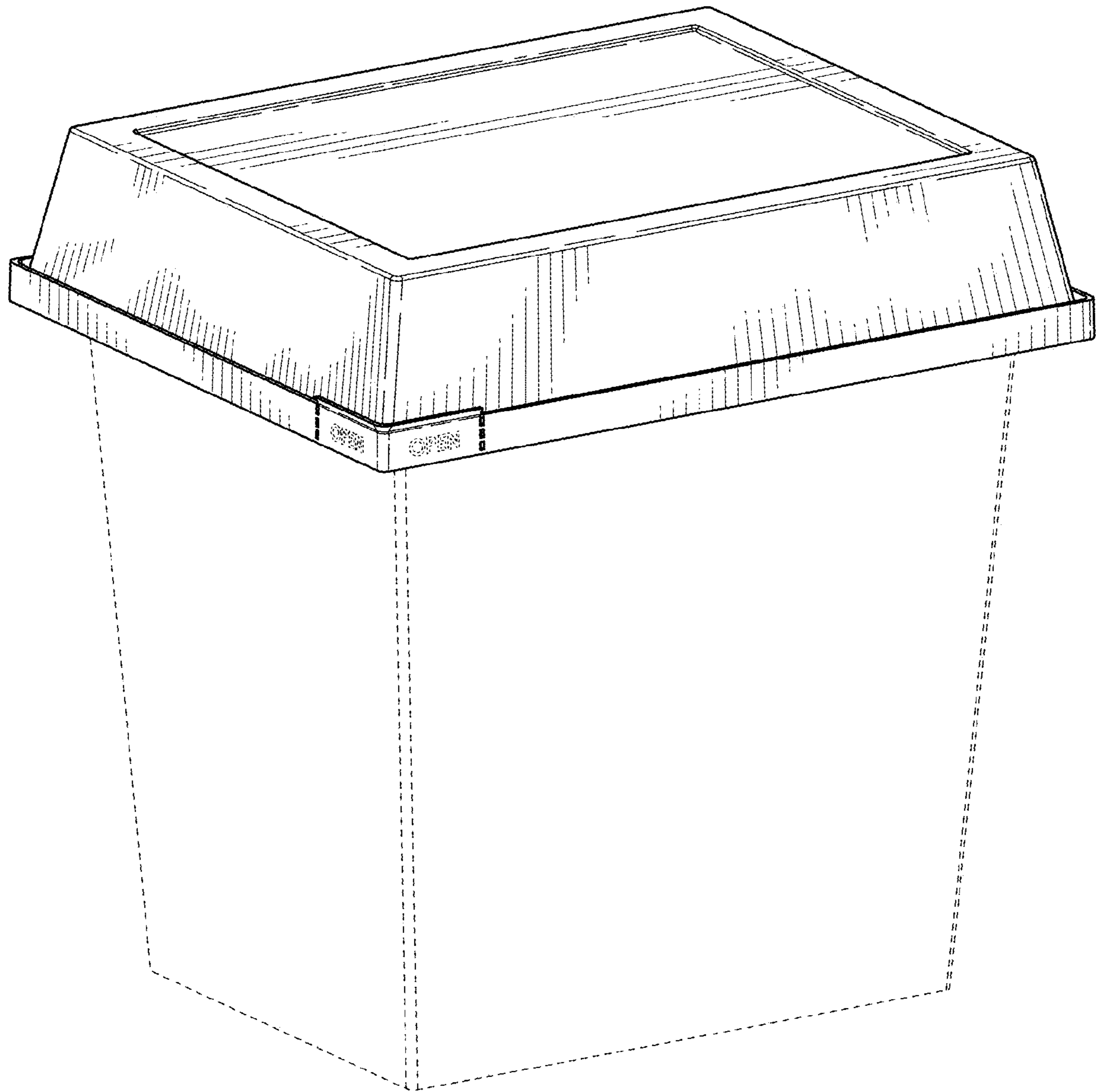


FIG. 1

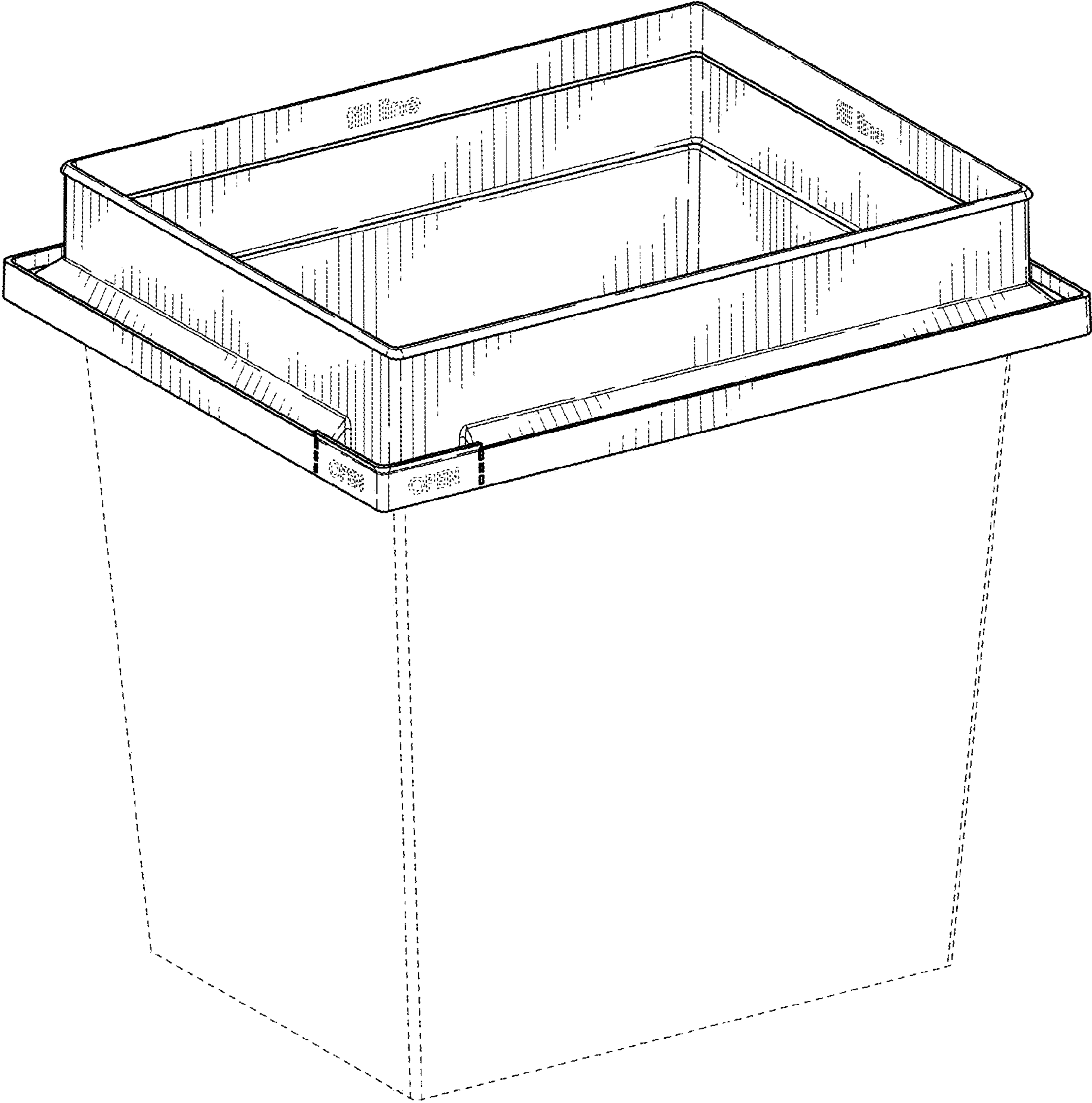


FIG. 2

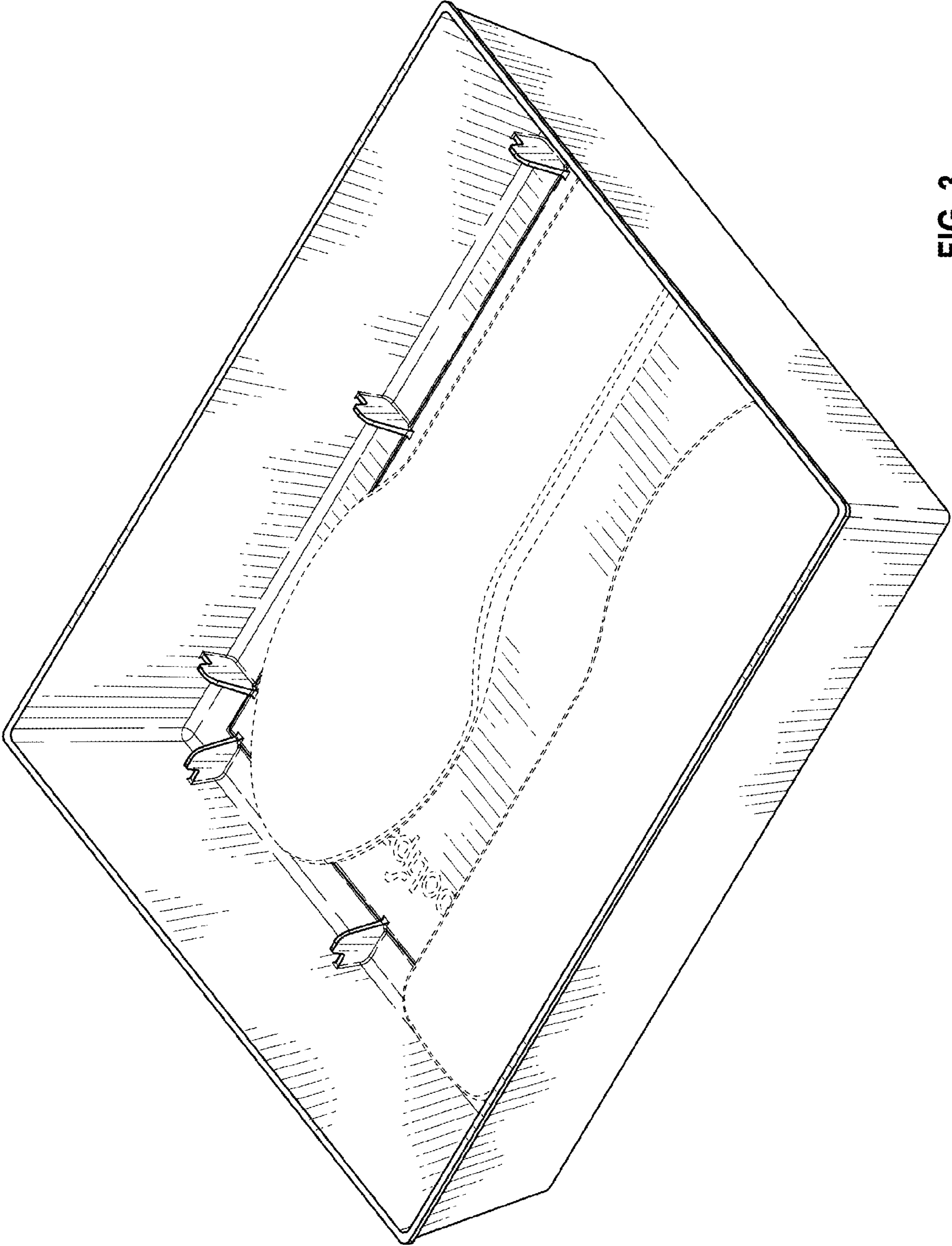


FIG. 3

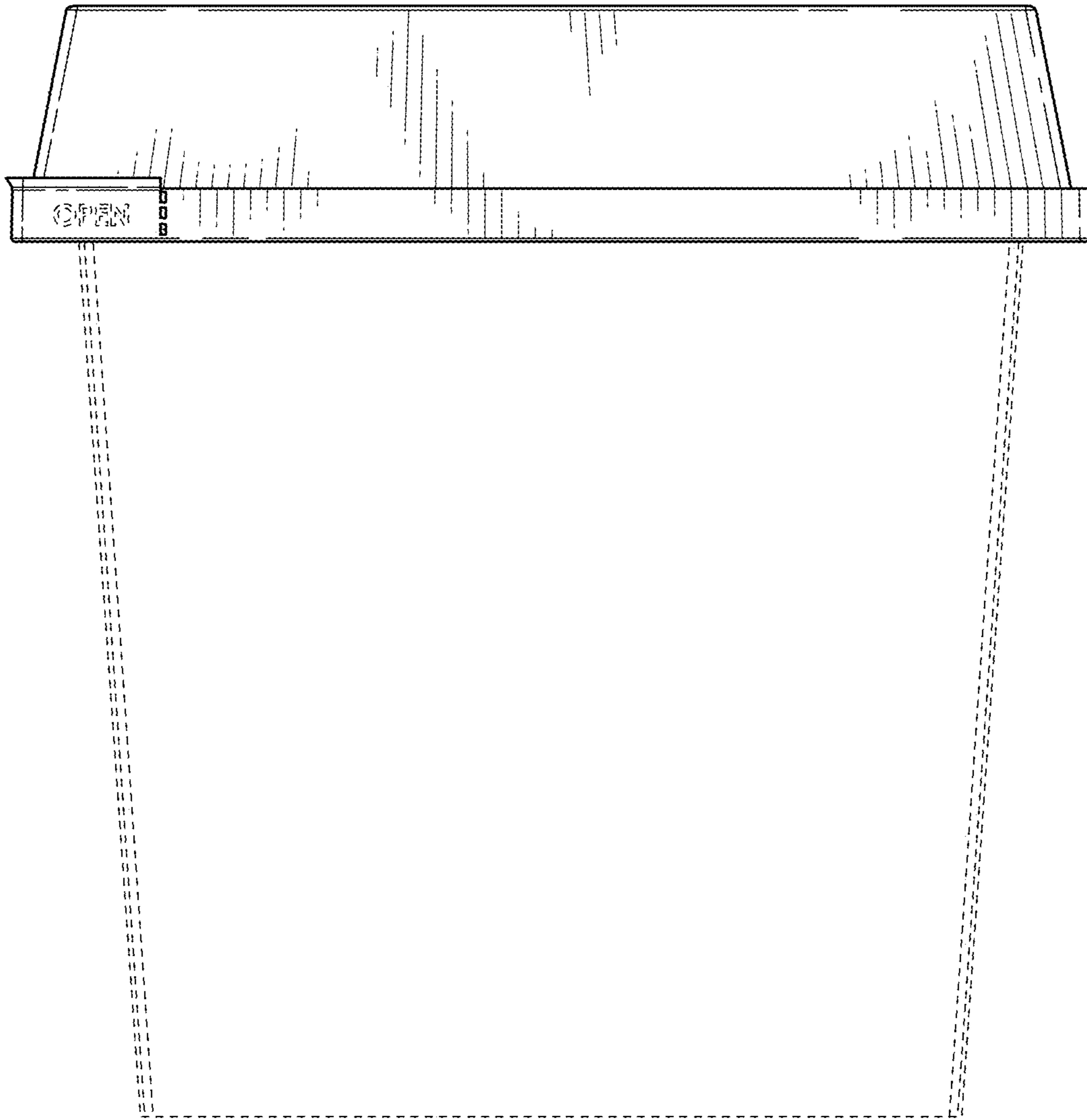


FIG. 4

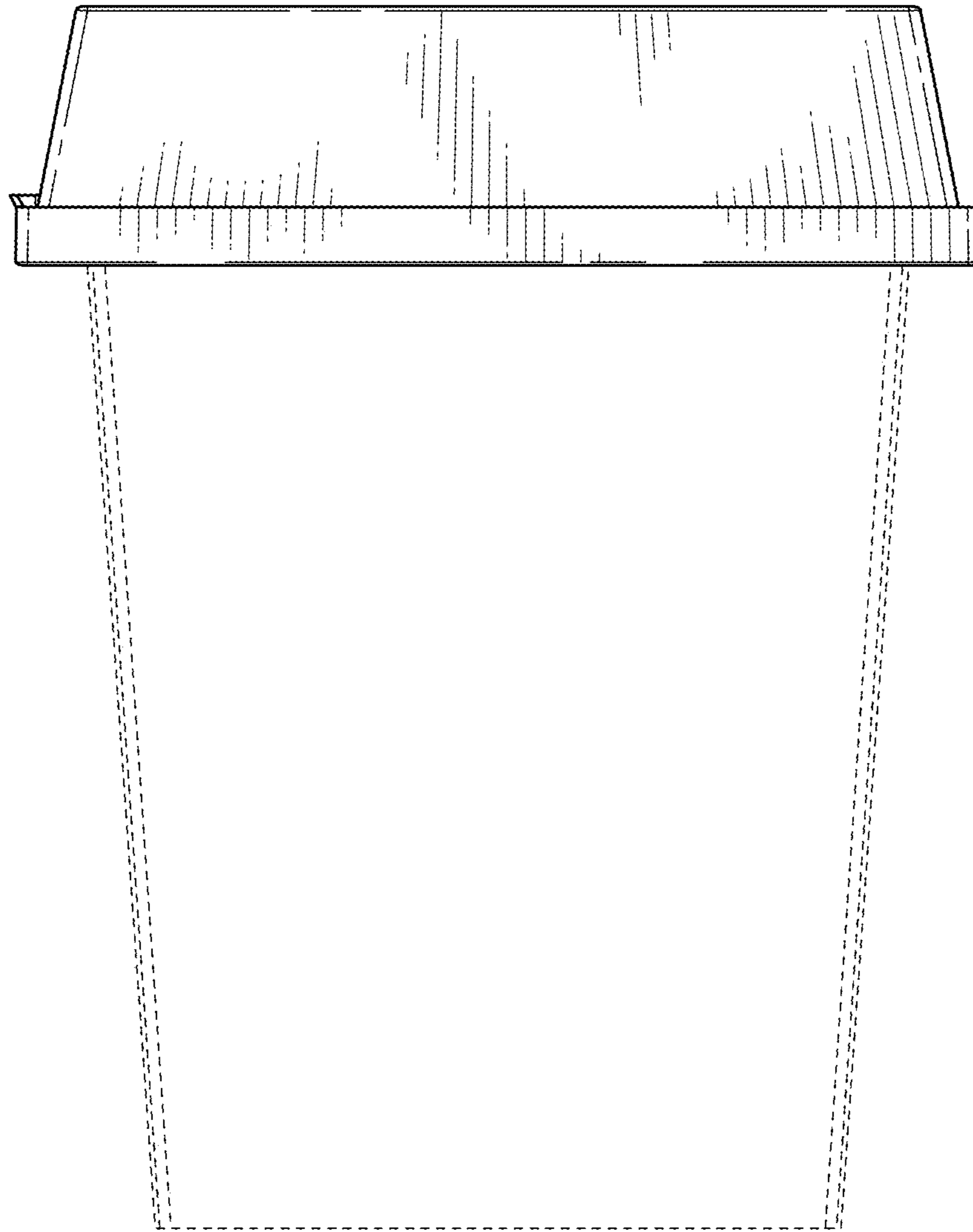


FIG. 5

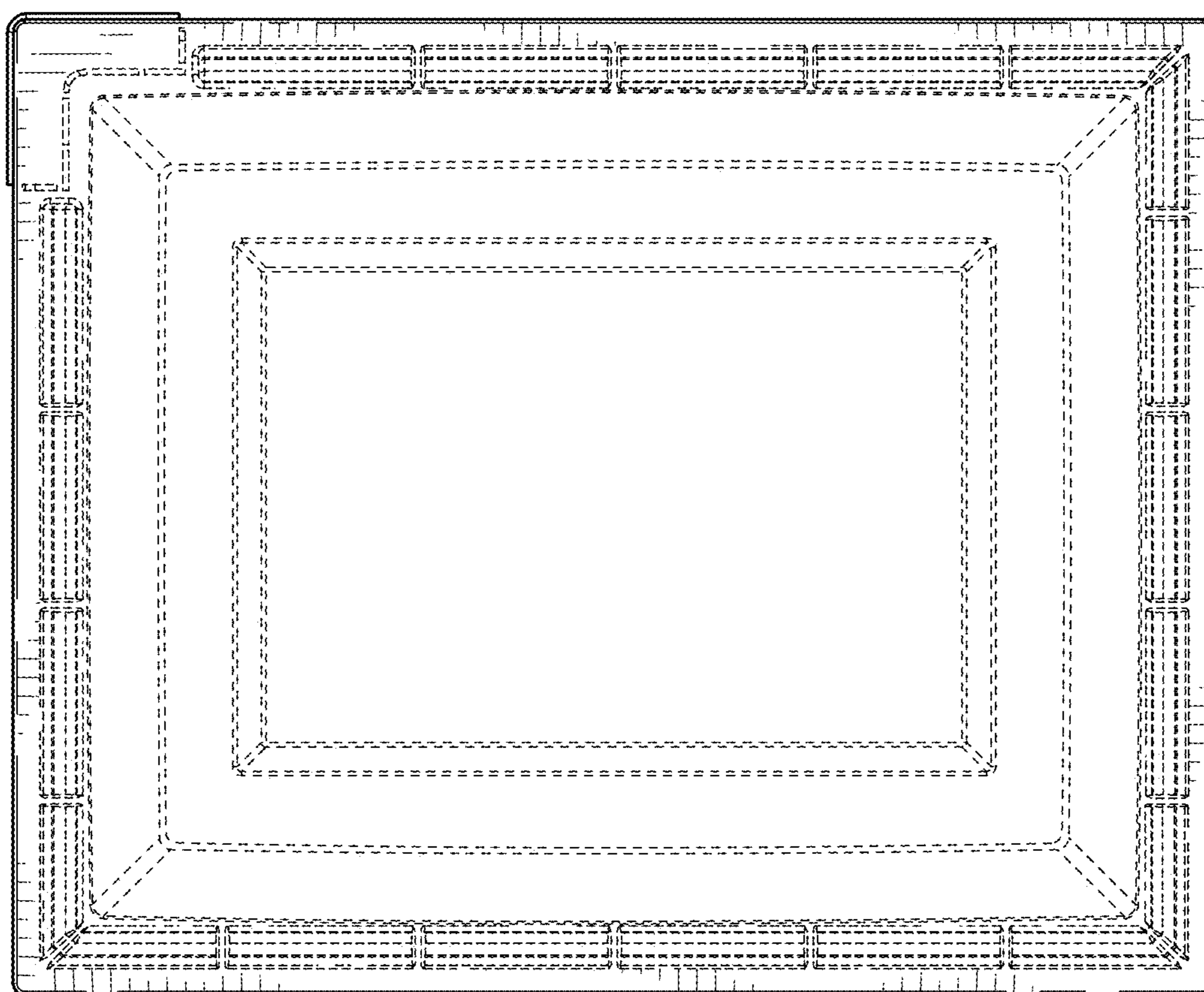


FIG. 6

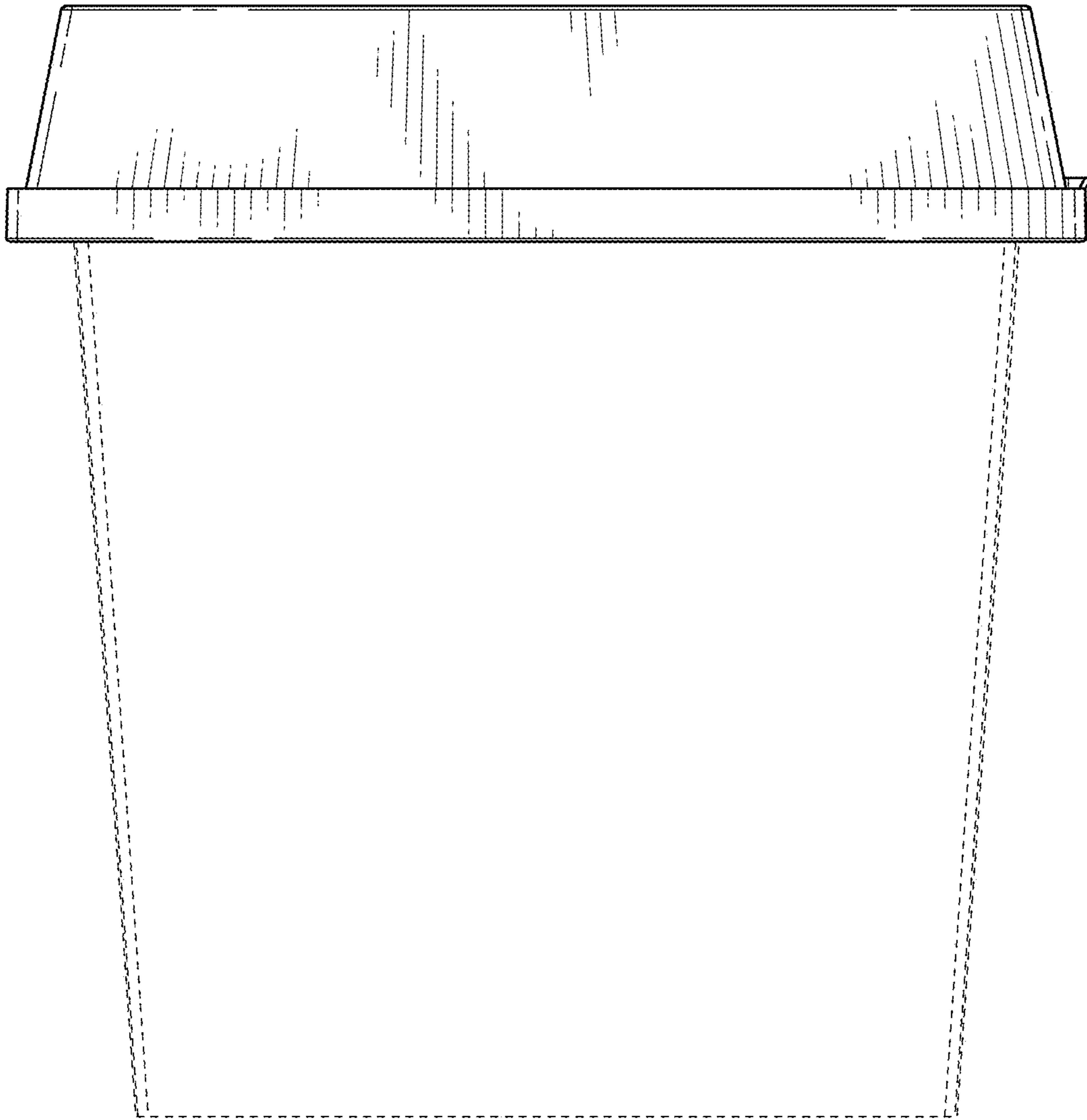


FIG. 7

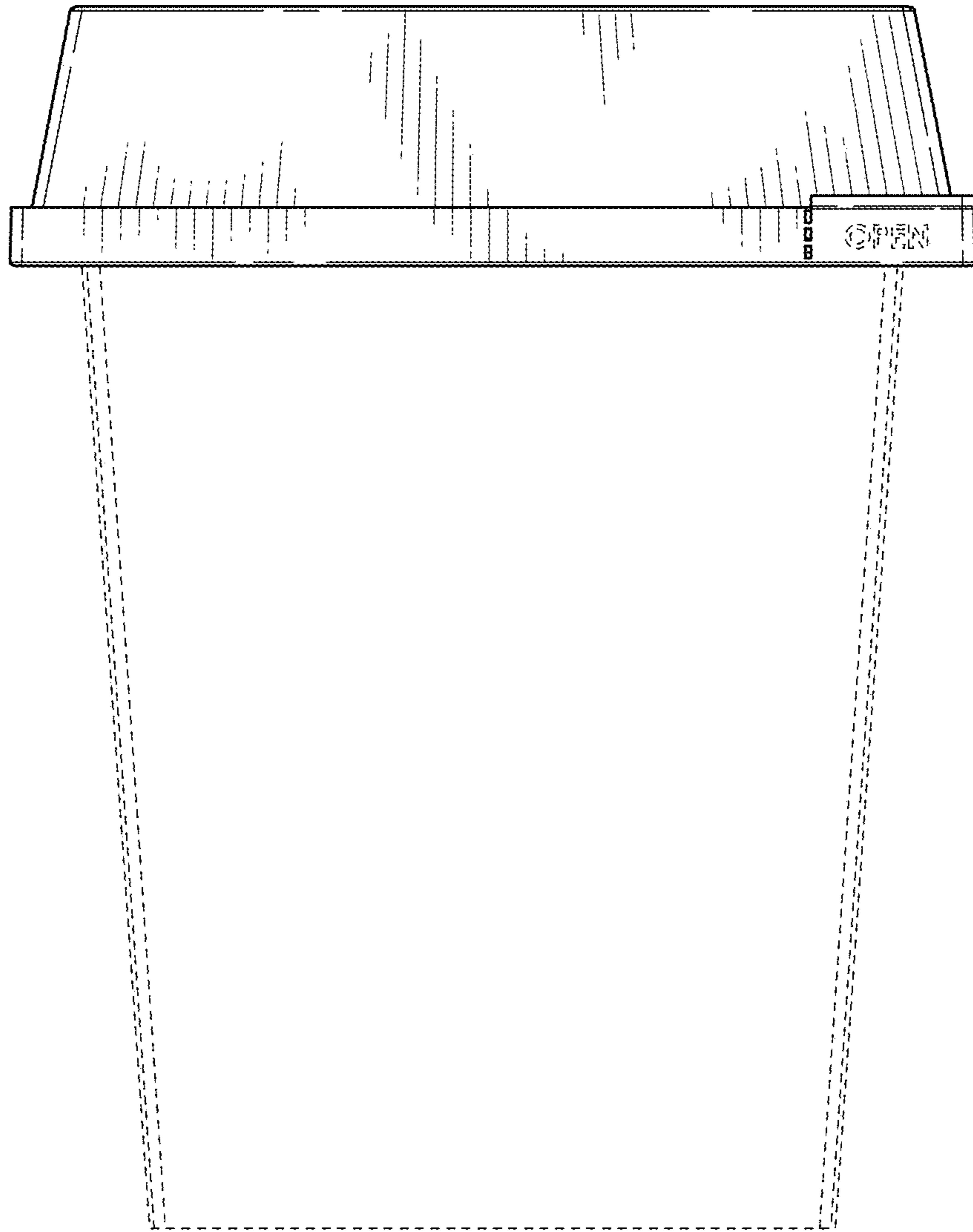


FIG. 8

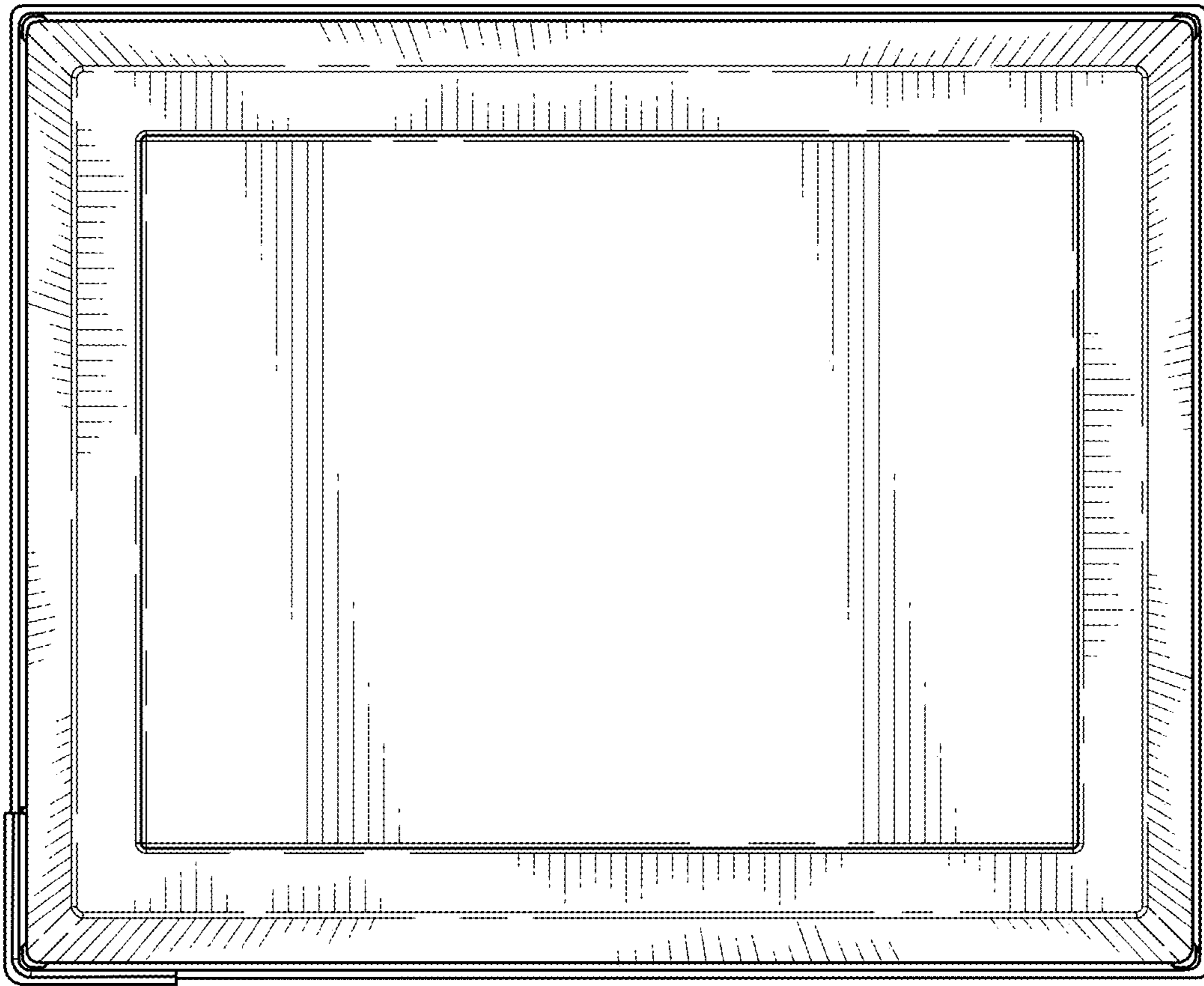


FIG. 9

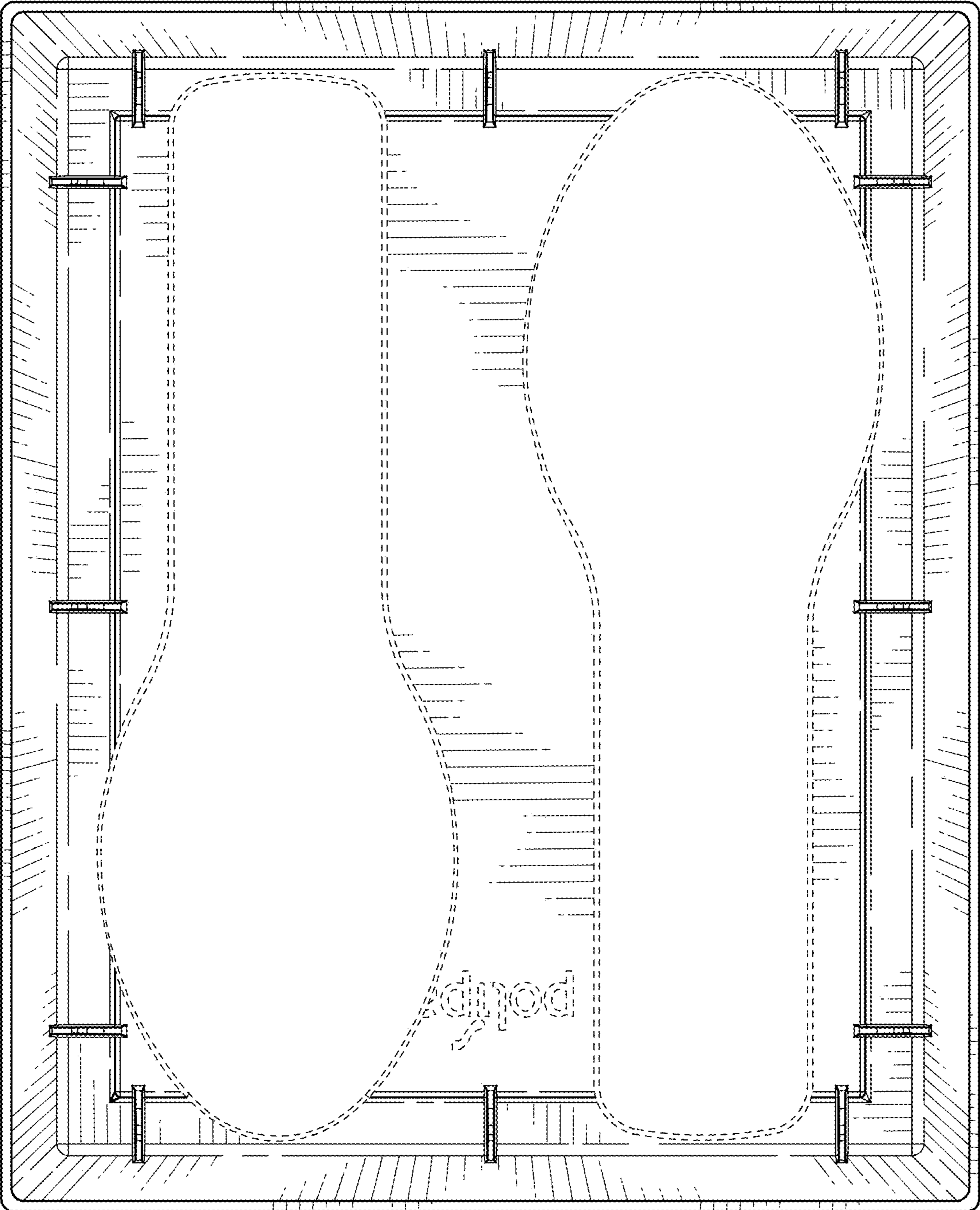


FIG. 10