



US00D885883S

(12) **United States Design Patent** (10) **Patent No.:** **US D885,883 S**
Hagee et al. (45) **Date of Patent:** **** Jun. 2, 2020**

(54) **PACKAGE**

(71) Applicant: **The Procter & Gamble Company,**
Cincinnati, OH (US)

(72) Inventors: **Richard Christopher Hagee,**
Cincinnati, OH (US); **Murphy Greene**
Mongeon, Cincinnati, OH (US)

(73) Assignee: **The Procter & Gamble Company,**
Cincinnati, OH (US)

(**) Term: **15 Years**

(21) Appl. No.: **29/624,048**

(22) Filed: **Oct. 30, 2017**

(51) **LOC (12) Cl.** **09-03**

(52) **U.S. Cl.**
USPC **D9/418**

(58) **Field of Classification Search**
USPC D9/434, 499, 414-416, 418, 419-423,
D9/425, 426, 430-433, 737, 759-761;
(Continued)

(56) **References Cited**

U.S. PATENT DOCUMENTS

D211,321 S * 6/1968 Ullmann D9/418
D244,511 S * 5/1977 Frisbey D9/432
(Continued)

OTHER PUBLICATIONS

Greener Package. Nesting club-store carton puts Mr. Clean on full display. Dec. 29, 2018. <URL:https://www.greenerpackage.com/source_reduction/nesting_club-store_carton_puts_mr_clean_full_display>. (Year: 2018).*

(Continued)

Primary Examiner — Darcey E Gottschalk

(74) *Attorney, Agent, or Firm* — John T. Dipre

(57) **CLAIM**

The ornamental design for a package, as shown and described.

DESCRIPTION

This file of this patent contains at least one drawing/photograph executed in color. Copies of this patent with color drawing(s)/photograph(s) will be provided by the Office upon request and payment of the necessary fee.

FIG. 1 is a first perspective view of an embodiment of a package;

FIG. 2 is a second perspective view of an embodiment of a package;

FIG. 3 is a front view thereof;

FIG. 4 is a right view thereof;

FIG. 5 is a back view thereof;

FIG. 6 is a left view thereof;

FIG. 7 is a top view thereof;

FIG. 8 is a bottom view thereof;

FIG. 9 is a first perspective view of a second embodiment of a package;

FIG. 10 is a second perspective view of a second embodiment of a package;

FIG. 11 is a front view thereof;

FIG. 12 is a right view thereof;

FIG. 13 is a back view thereof;

FIG. 14 is a left view thereof;

FIG. 15 is a top view thereof;

FIG. 16 is a bottom view thereof;

FIG. 17 is a first perspective view of a third embodiment of a package;

FIG. 18 is a second perspective view of a third embodiment of a package;

FIG. 19 is a front view thereof;

FIG. 20 is a right view thereof;

FIG. 21 is a back view thereof;

FIG. 22 is a left view thereof;

FIG. 23 is a top view thereof;

FIG. 24 is a bottom view thereof;

FIG. 25 is a first perspective view of a fourth embodiment of a package;

(Continued)

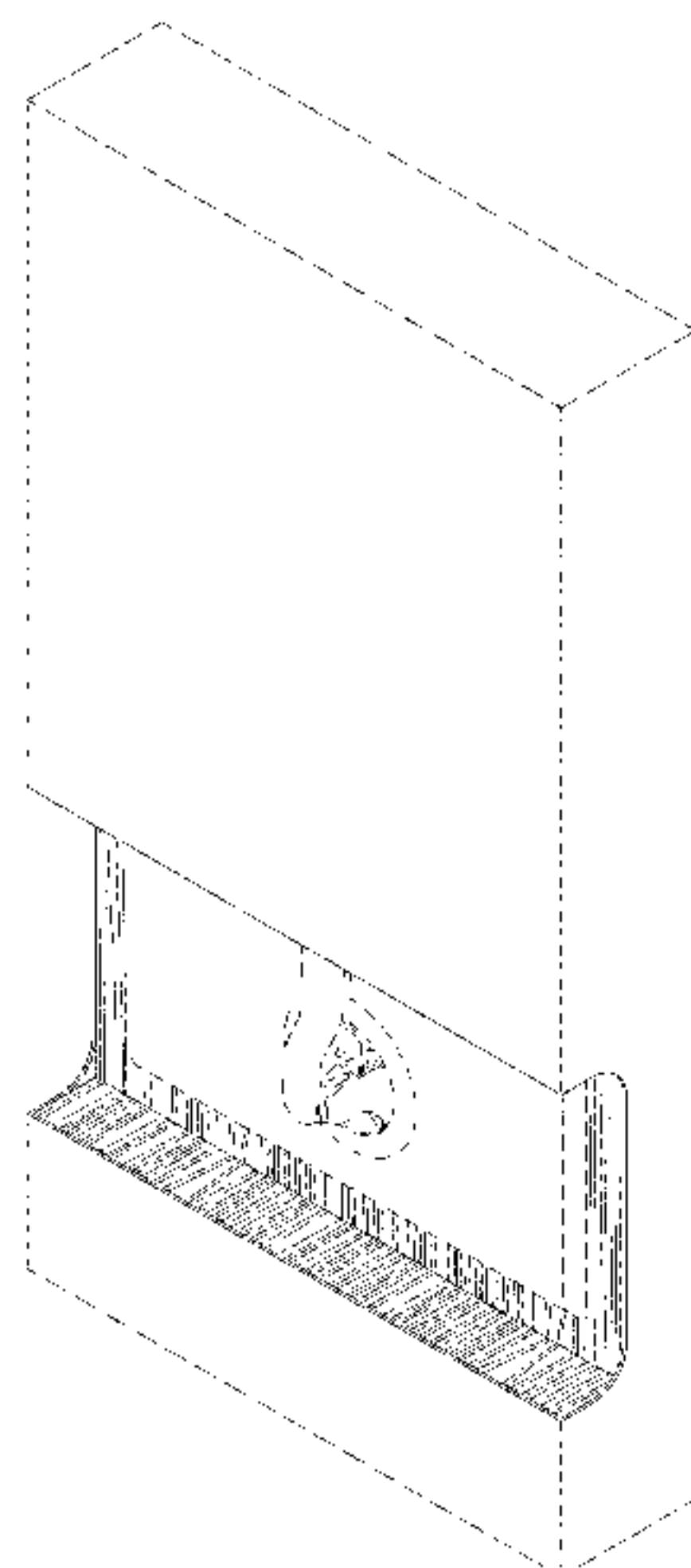


FIG. 26 is a second perspective view of a fourth embodiment of a package;
 FIG. 27 is a front view thereof;
 FIG. 28 is a right view thereof;
 FIG. 29 is a back view thereof;
 FIG. 30 is a left view thereof;
 FIG. 31 is a top view thereof;
 FIG. 32 is a bottom view thereof;
 FIG. 33 is a first perspective view of a fifth embodiment of a package;
 FIG. 34 is a second perspective view of a fifth embodiment of a package;
 FIG. 35 is a front view thereof;
 FIG. 36 is a right view thereof;
 FIG. 37 is a back view thereof;
 FIG. 38 is a left view thereof;
 FIG. 39 is a top view thereof;
 FIG. 40 is a bottom view thereof;
 FIG. 41 is a first perspective view of a sixth embodiment of a package;
 FIG. 42 is a second perspective view of a sixth embodiment of a package;
 FIG. 43 is a front view thereof;
 FIG. 44 is a right view thereof;
 FIG. 45 is a back view thereof;
 FIG. 46 is a left view thereof;
 FIG. 47 is a top view thereof;
 FIG. 48 is a bottom view thereof;
 FIG. 49 is a first perspective view of a seventh embodiment of a package;
 FIG. 50 is a second perspective view of a seventh embodiment of a package;
 FIG. 51 is a front view thereof;
 FIG. 52 is a right view thereof;
 FIG. 53 is a back view thereof;
 FIG. 54 is a left view thereof;
 FIG. 55 is a top view thereof; and,
 FIG. 56 is a bottom view thereof.
 The closely-spaced irregular vertical lines in the embodiment of FIGS. 1-8 represent a wood grain on that surface. The cross hatching in in the embodiment of FIGS. 9-24 represents a brown color on that surface.
 The cross hatching in in the embodiment of FIGS. 25-40 represents a green color on that surface.

The cross hatching in in the embodiment of FIGS. 41-50 represents a purple color on that surface.
 The broken lines in the drawings represent a package and a cleaning implement that form no part of the claimed design. The dash-dot-dash lines represent boundaries of the claimed design and form no part thereof.

**1 Claim, 35 Drawing Sheets
 (18 of 35 Drawing Sheet(s) Filed in Color)**

(58) **Field of Classification Search**
 USPC D3/201, 203.1, 203.5, 203.6; D7/601, D7/602, 609
 CPC . B65D 5/20; B65D 5/32; B65D 5/541; B65D 5/542
 See application file for complete search history.

(56) **References Cited**

U.S. PATENT DOCUMENTS

D255,874	S	*	7/1980	Fujimoto	D6/627
D291,065	S	*	7/1987	Pugh	D9/418
D318,802	S	*	8/1991	Egide	D9/418
5,860,526	A	*	1/1999	Burke, Jr.	B65D 5/0227 206/446
D463,978	S	*	10/2002	DiMartino	D9/415
D575,149	S	*	8/2008	Baranowski	D9/432
D684,457	S	*	6/2013	Salow	D9/415
D691,884	S	*	10/2013	Kwon	D9/415
D709,363	S	*	7/2014	Boehnen	D9/418
D742,215	S	*	11/2015	Deshpande	D9/415
D774,890	S	*	12/2016	Mongeon	D9/418
D803,678	S	*	11/2017	Chen	D9/430
D837,645	S	*	1/2019	Larkin	D9/416
D838,165	S	*	1/2019	Handstein	D9/432
2010/0044421	A1	*	2/2010	Learn	B65D 5/542 229/121

OTHER PUBLICATIONS

Cincinnati. P&G introduces new concentrated Tide box for e-commerce only. Nov. 8, 2018. <URL:https://www.cincinnati.com/story/money/2018/11/08/p-g-unveils-new-concentrated-tide-e-commerce-only/1923192002/>. (Year: 2018).*

* cited by examiner

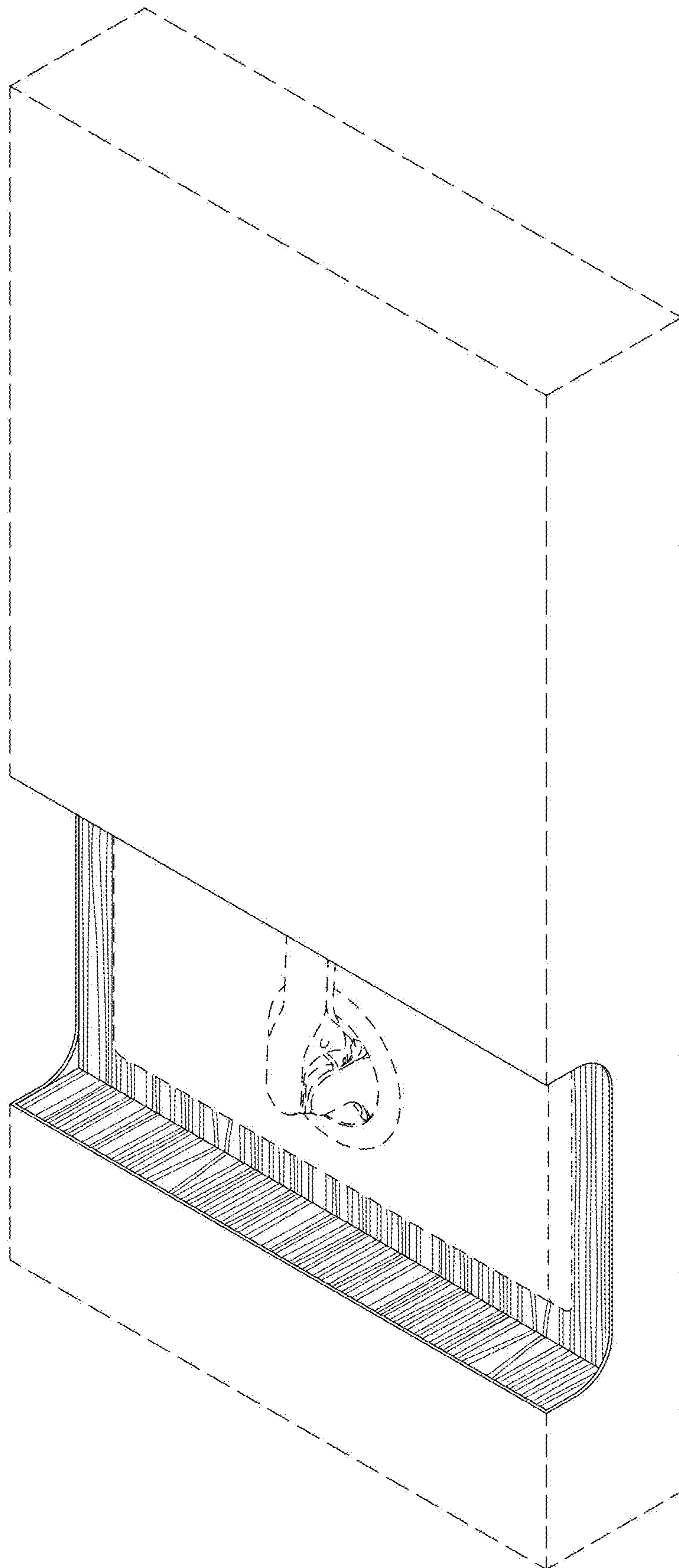


FIG. 1

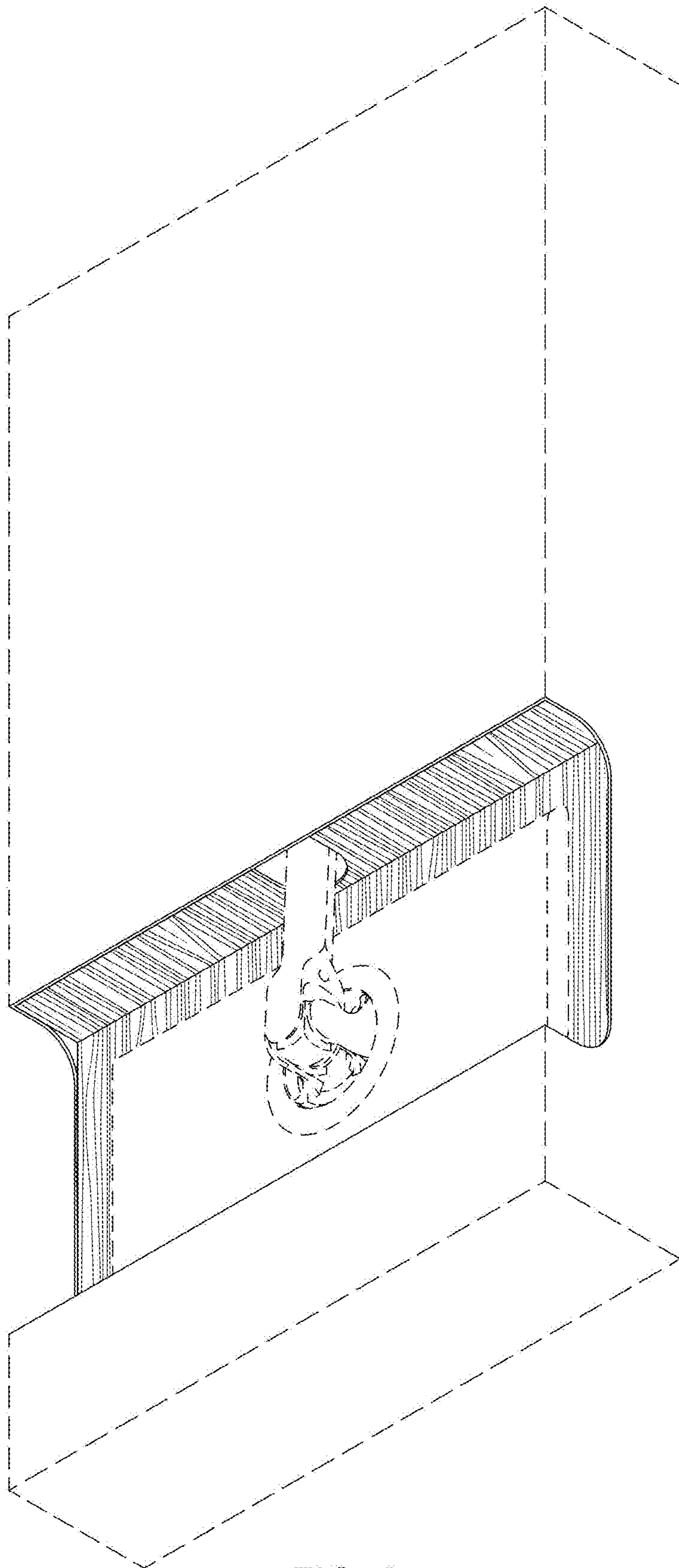


FIG. 2

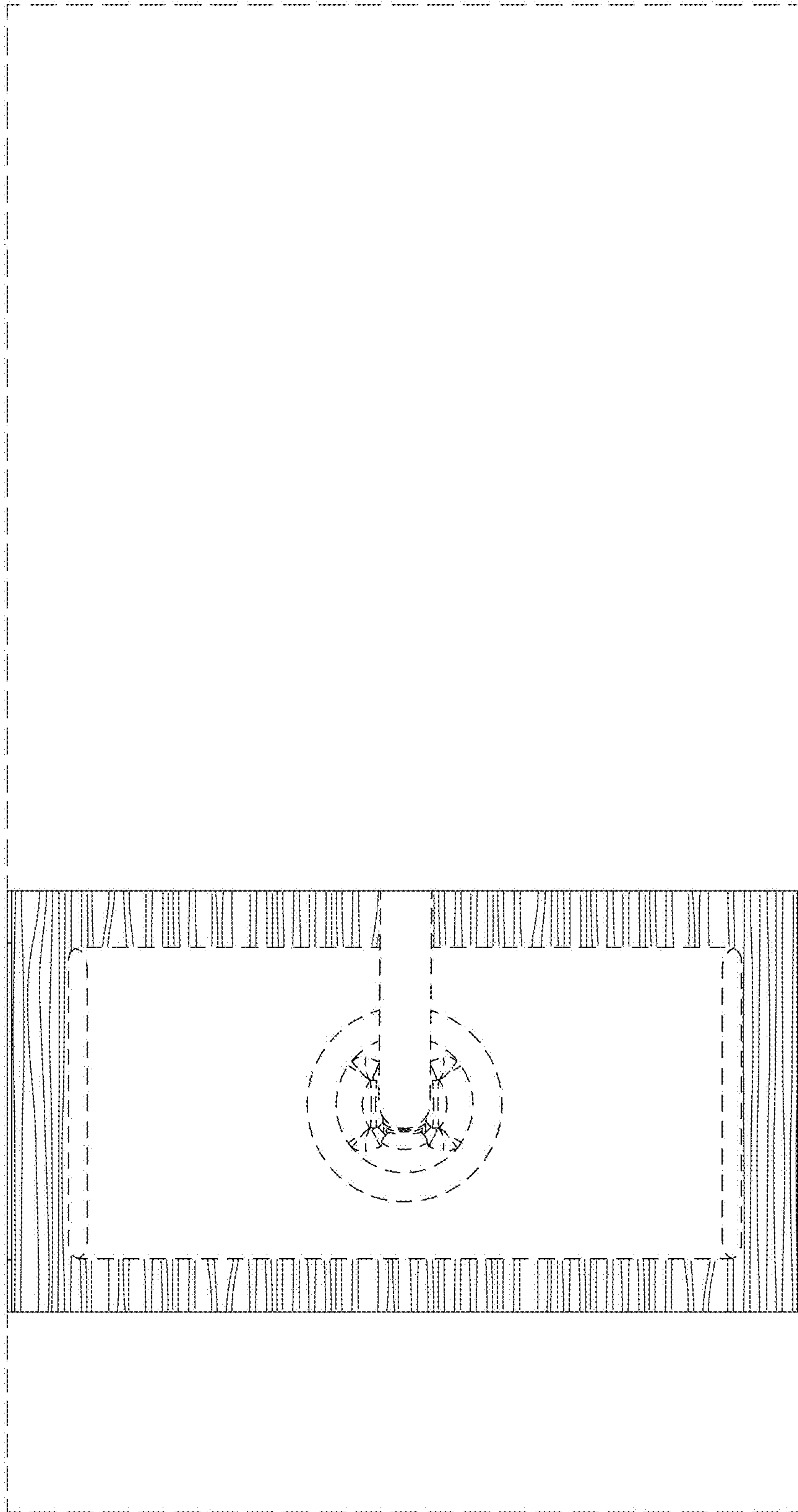


FIG. 3

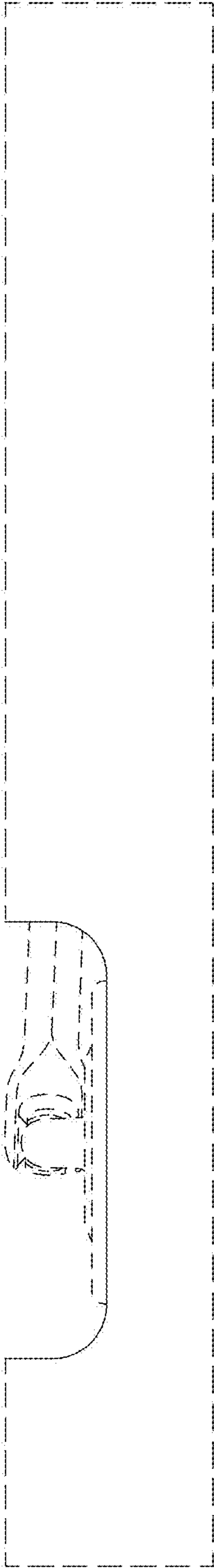


FIG. 4

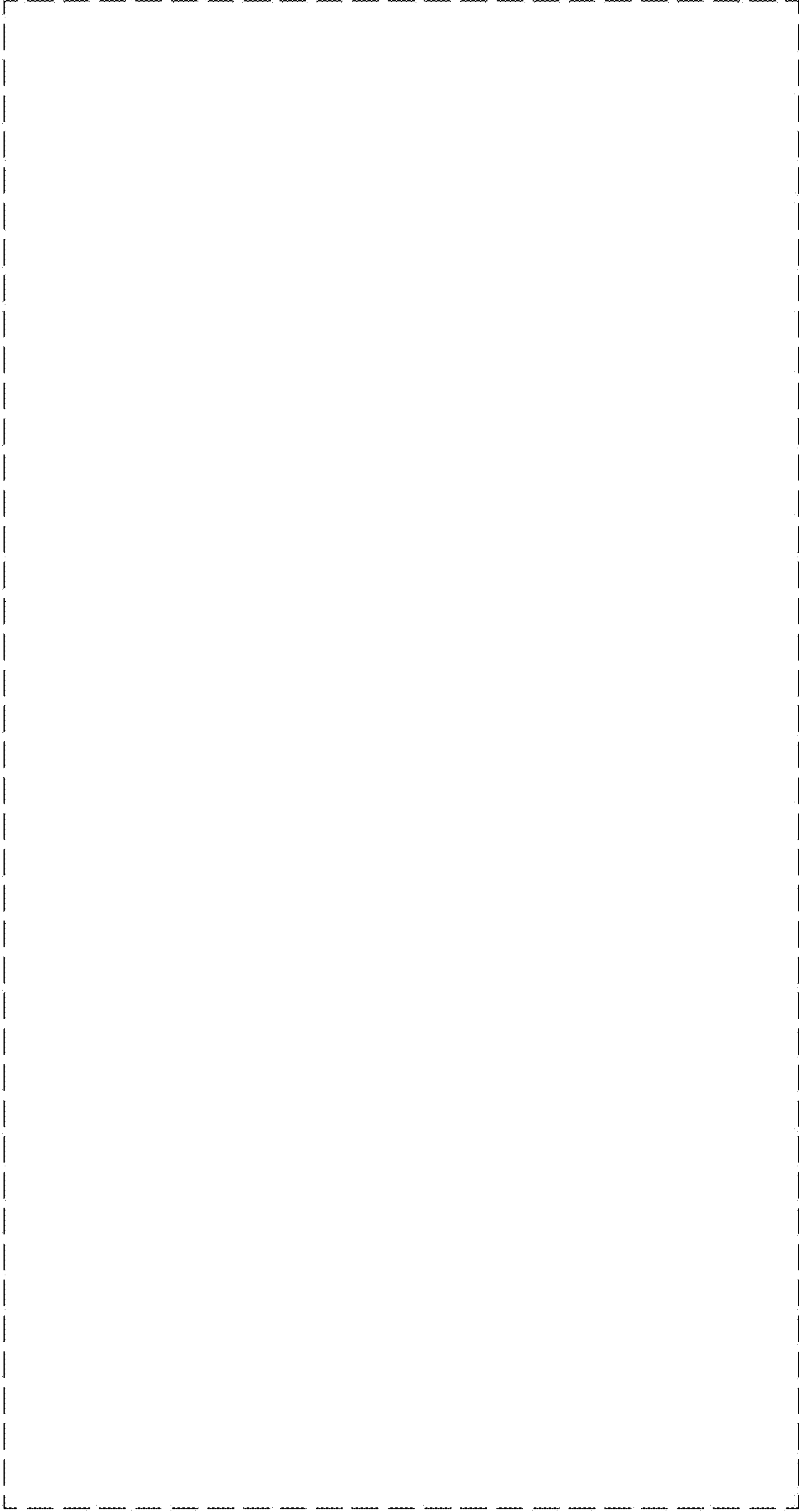


FIG. 5



FIG. 6



FIG. 7



FIG. 8

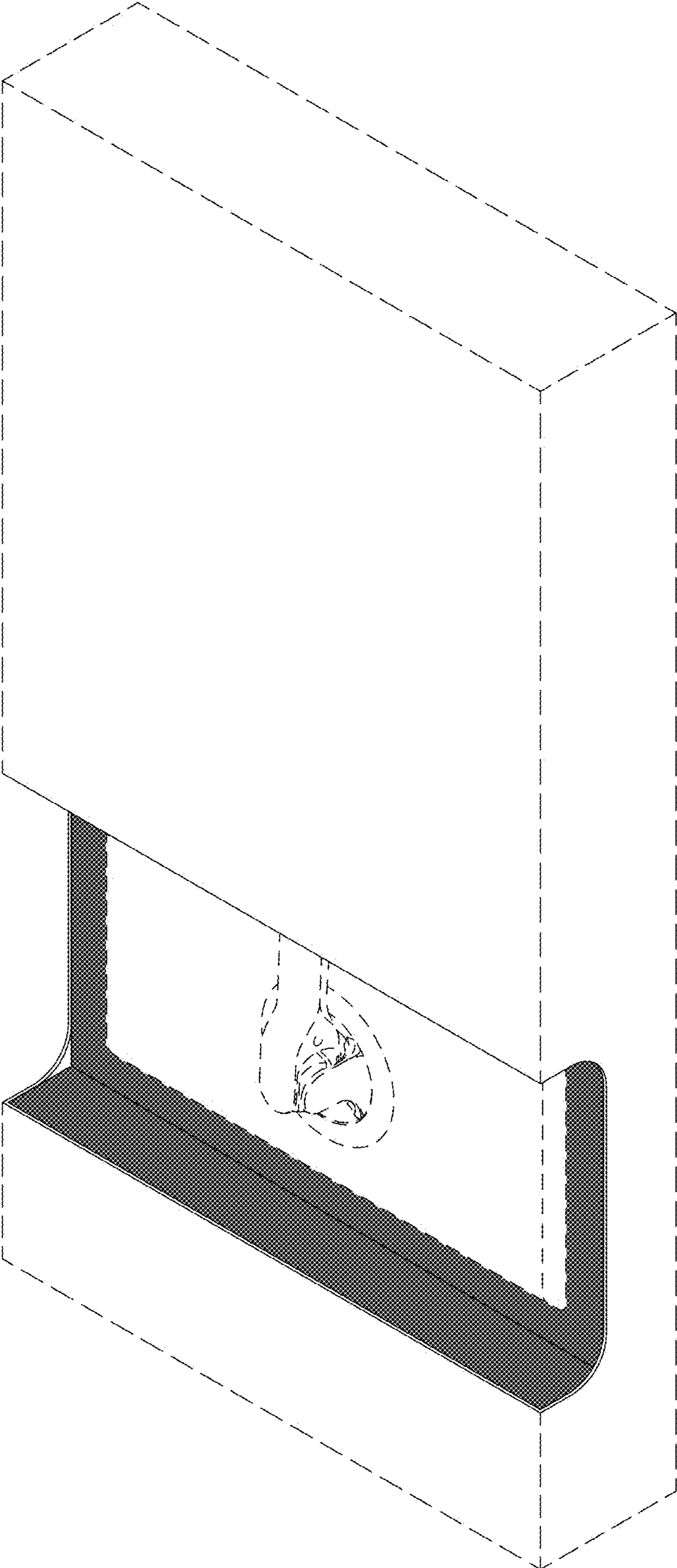


FIG. 9

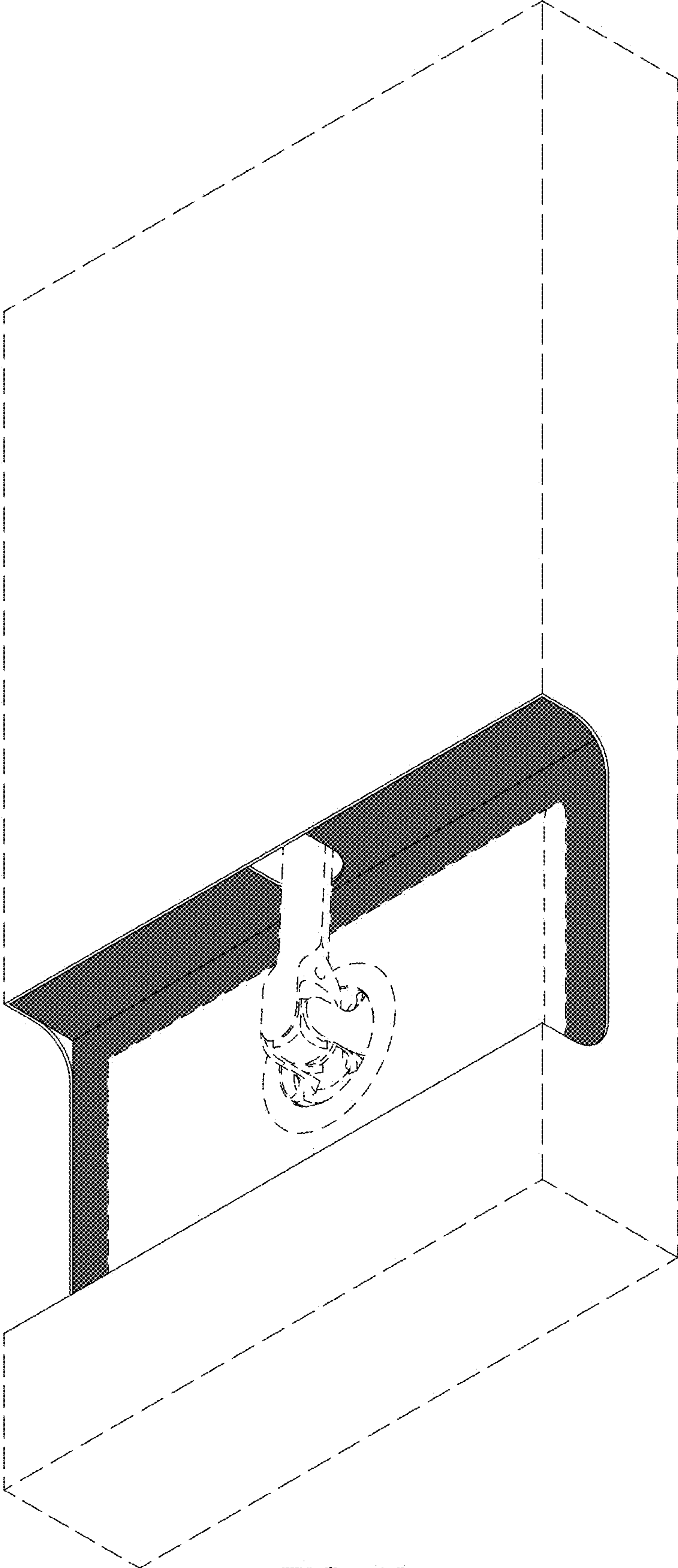


FIG. 10

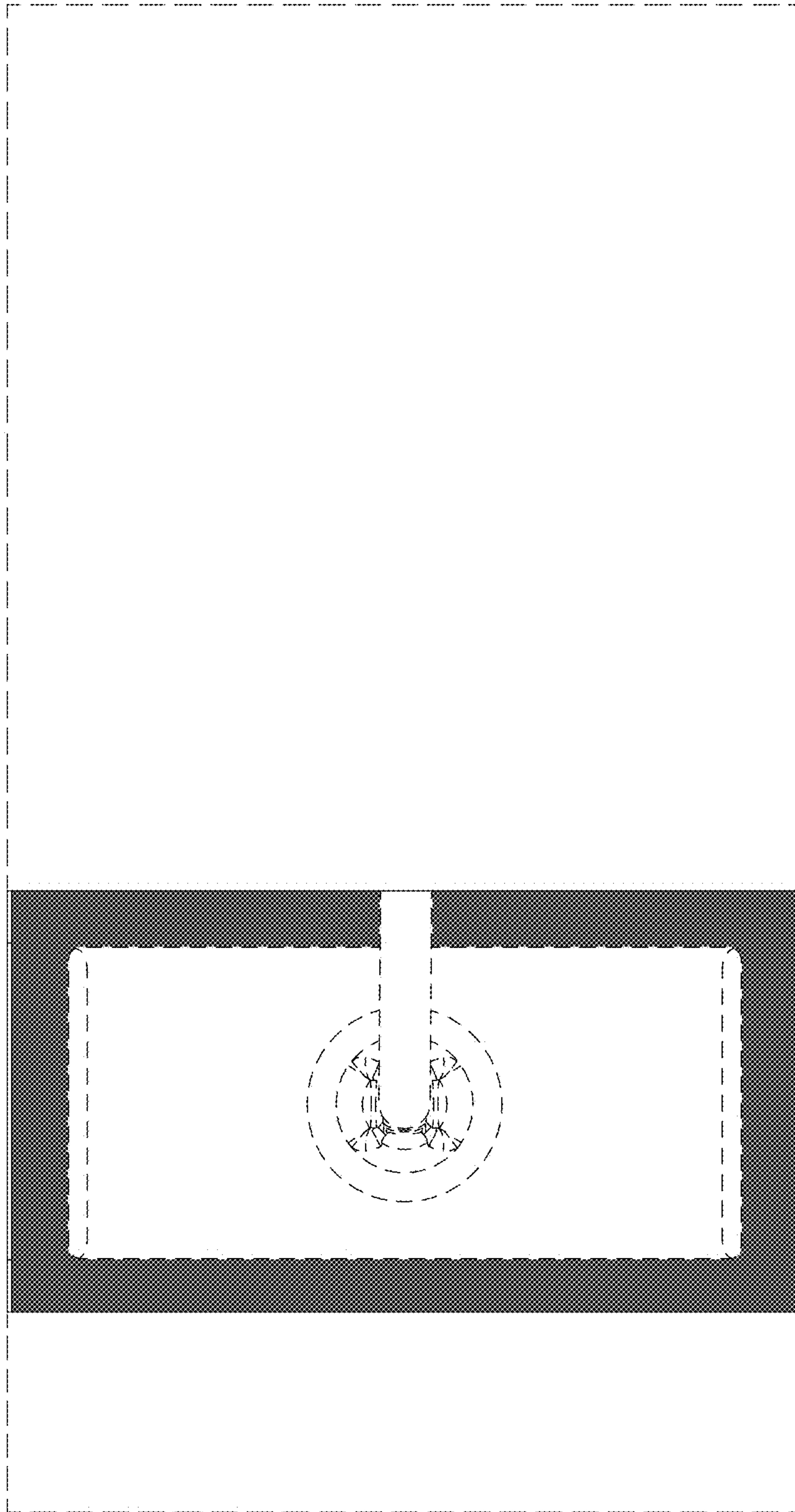


FIG. 11



FIG. 12

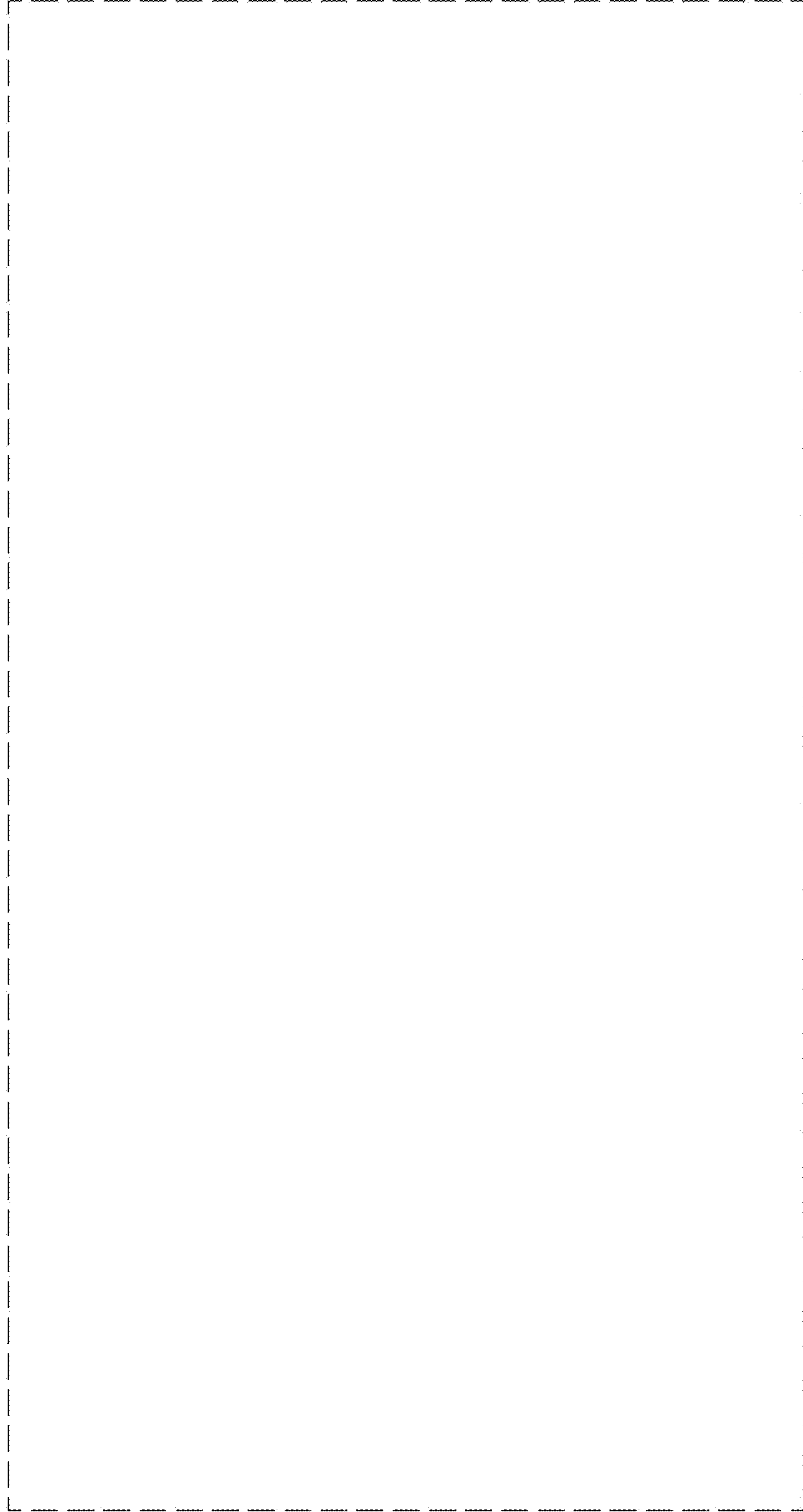


FIG. 13



FIG. 14



FIG. 15



FIG. 16

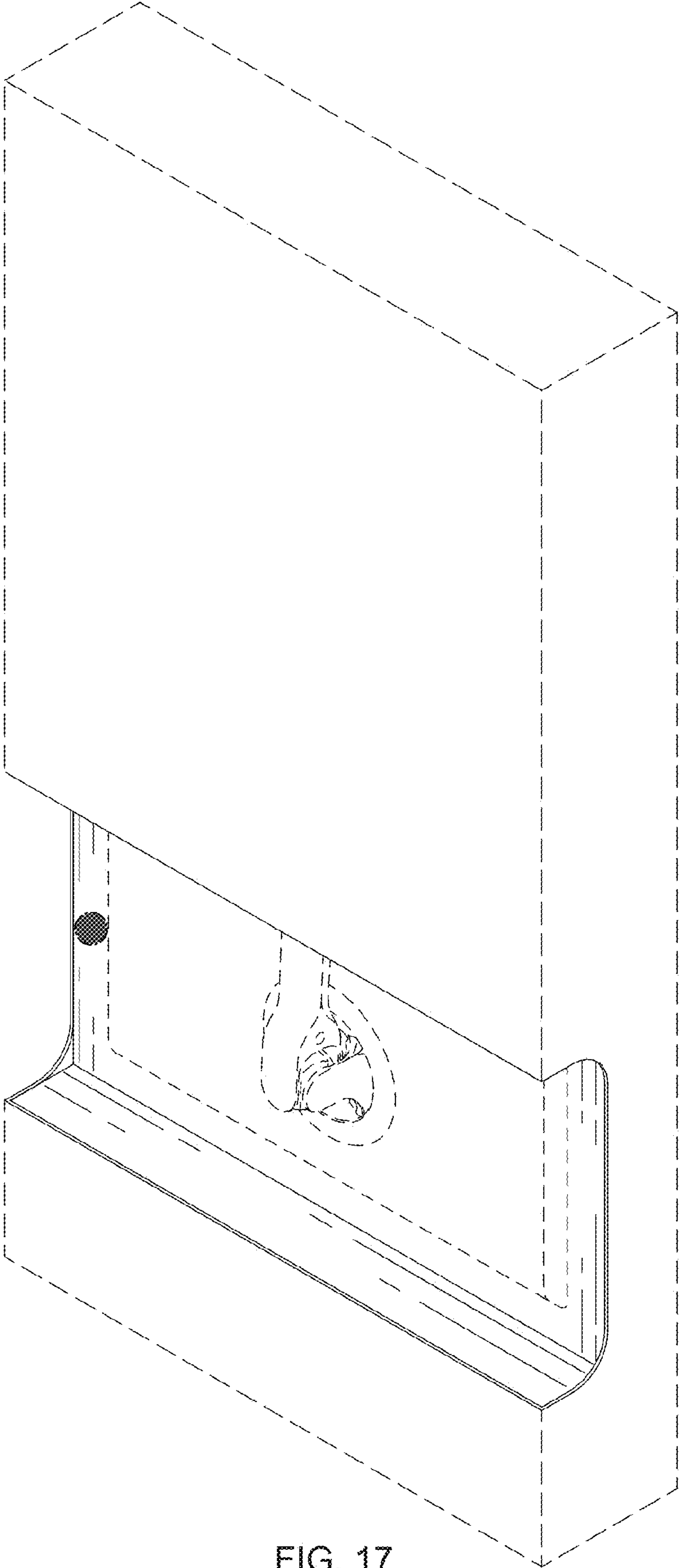


FIG. 17

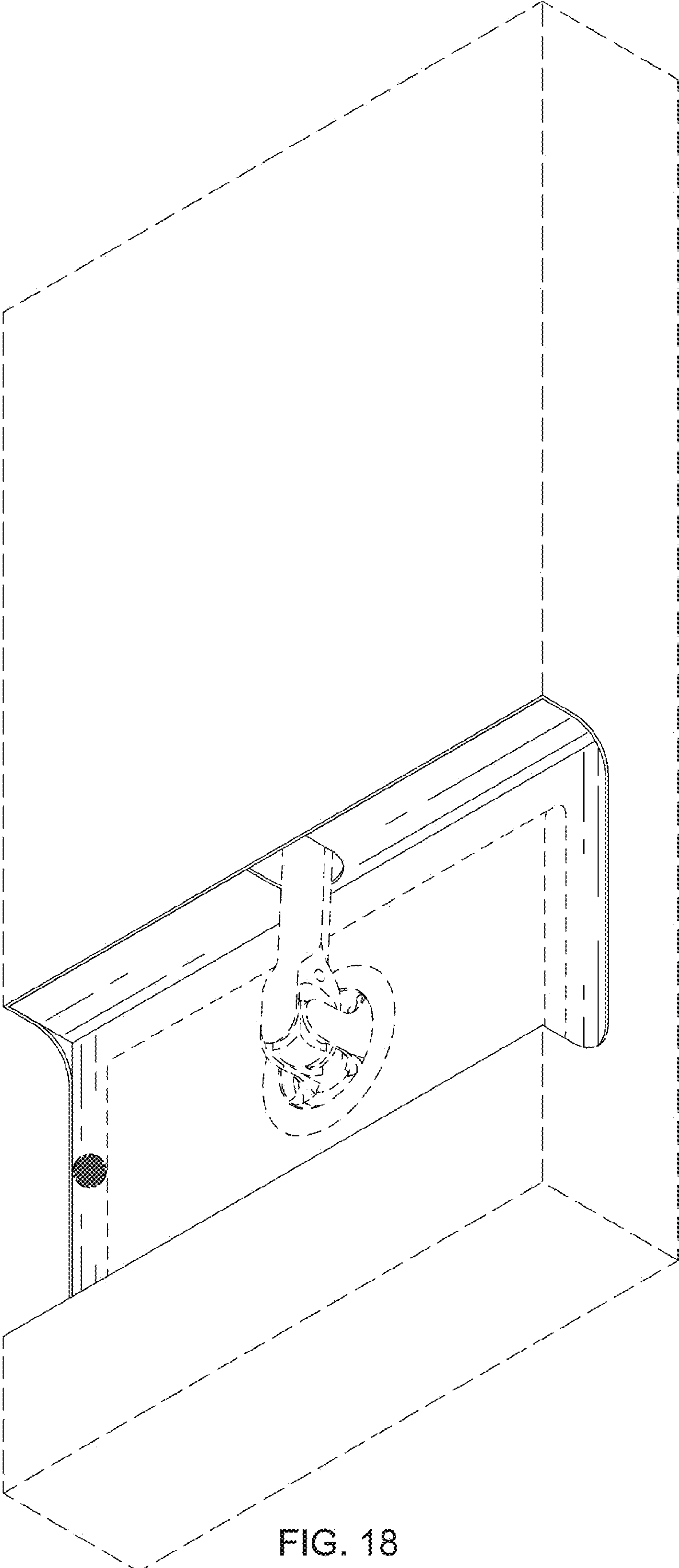


FIG. 18

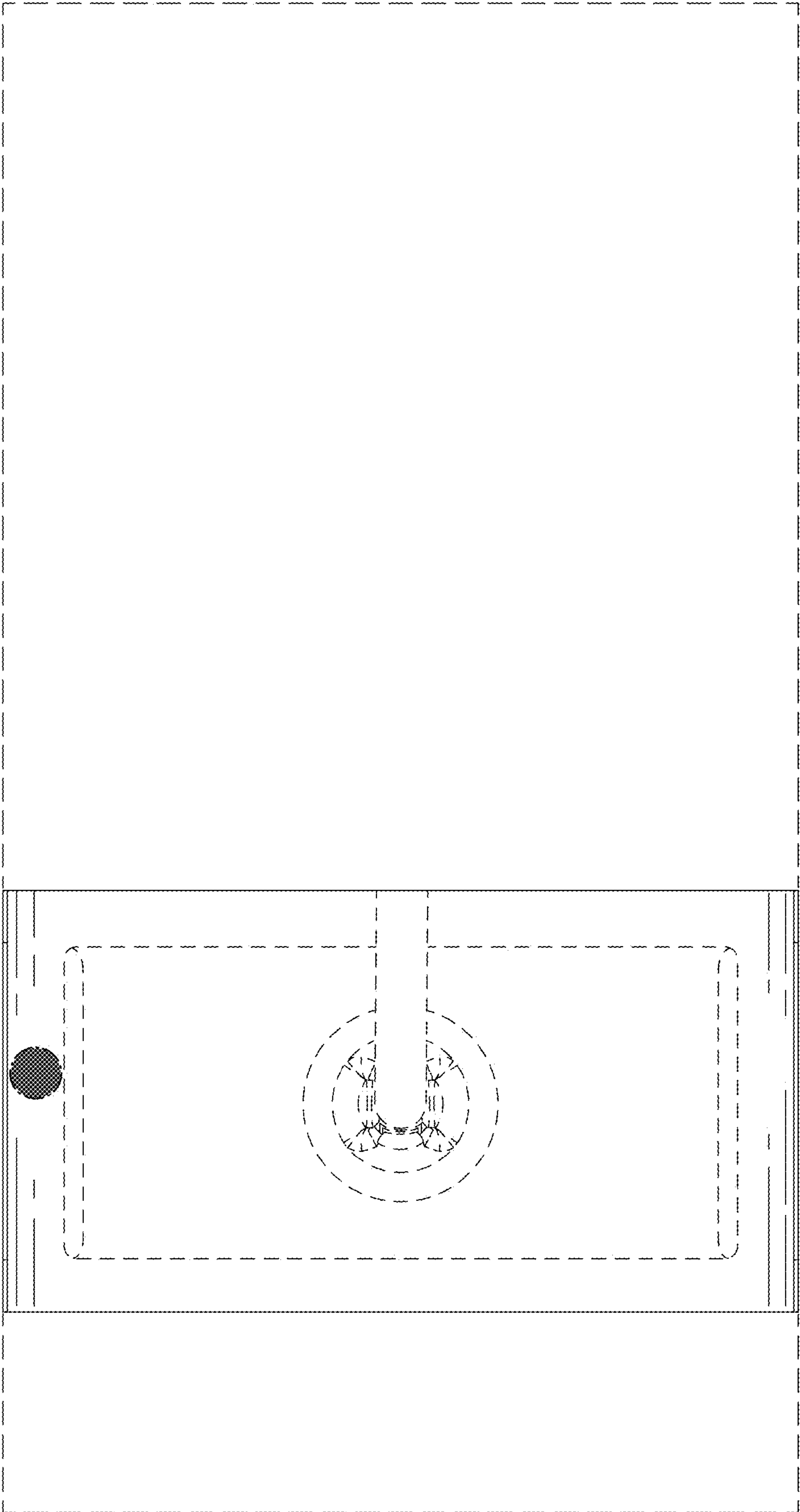


FIG. 19

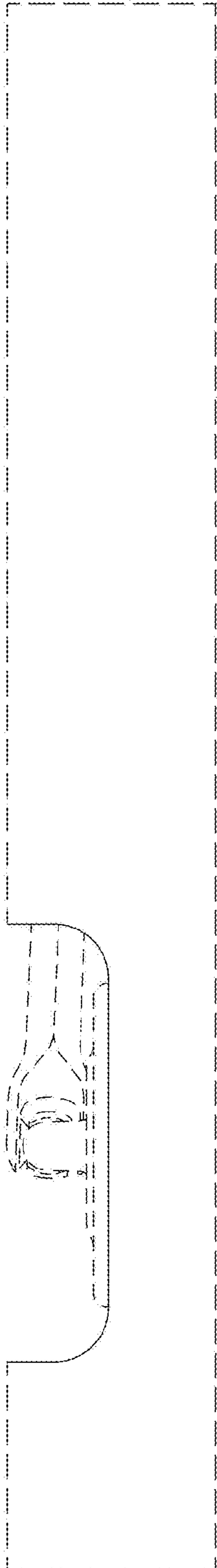


FIG. 20

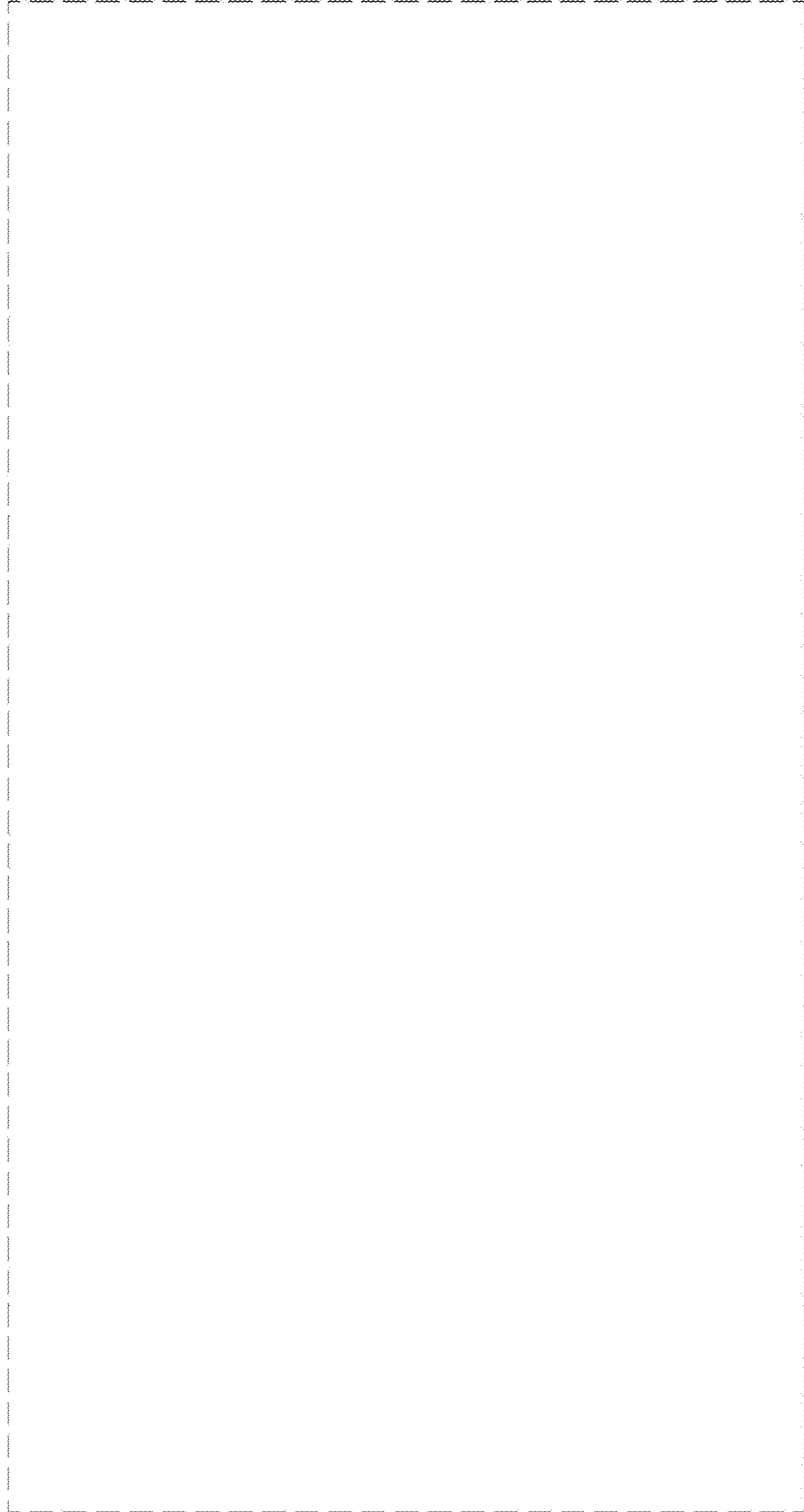


FIG. 21

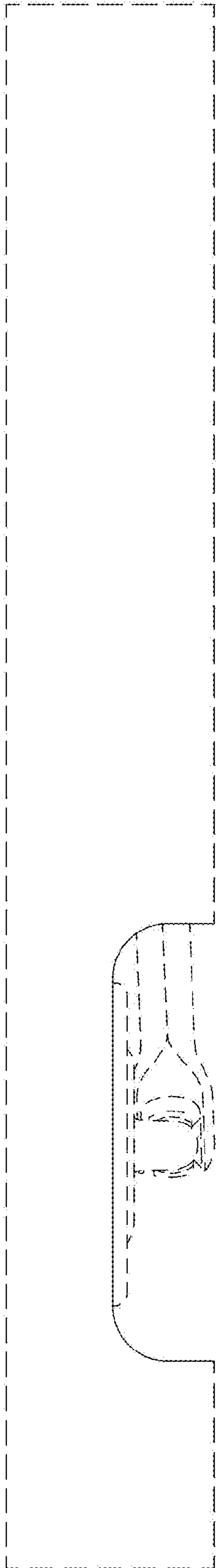


FIG. 22



FIG. 23



FIG. 24

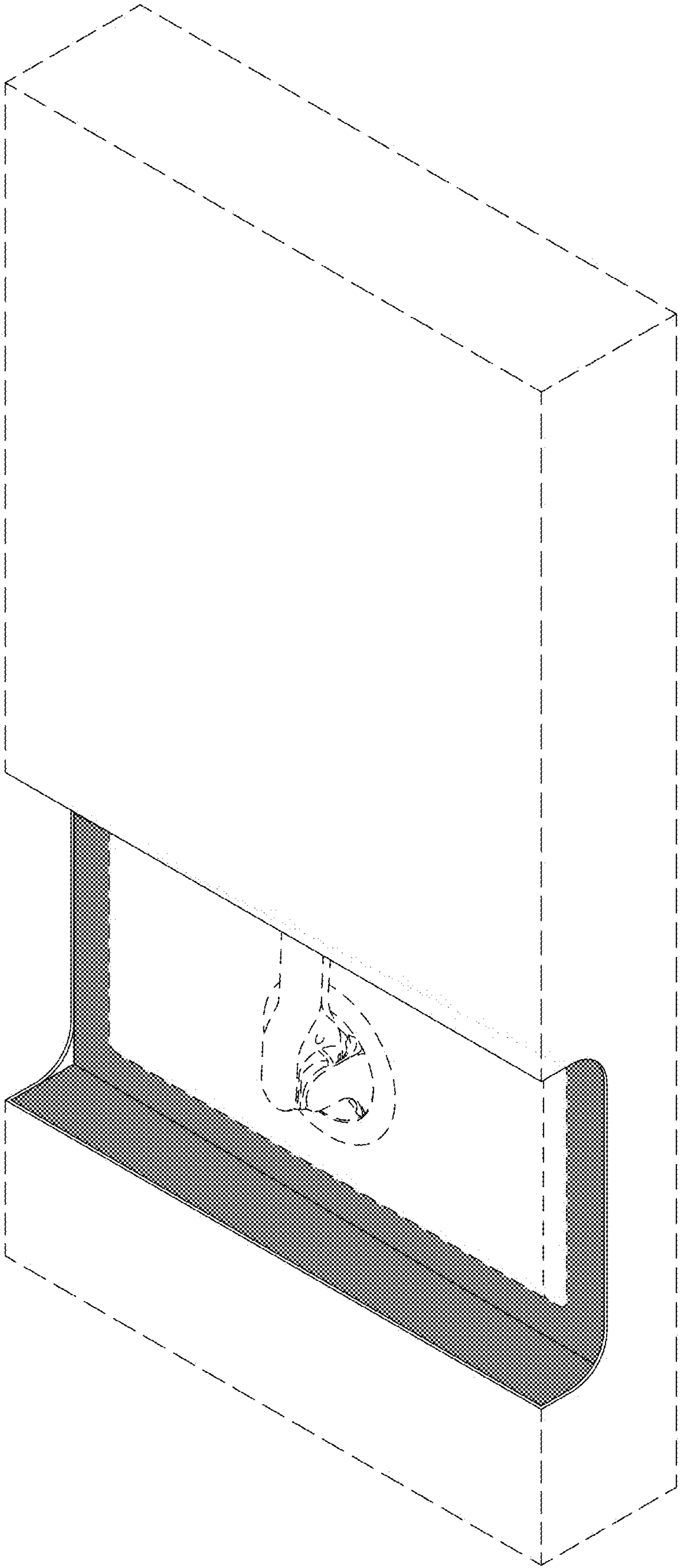


FIG. 25

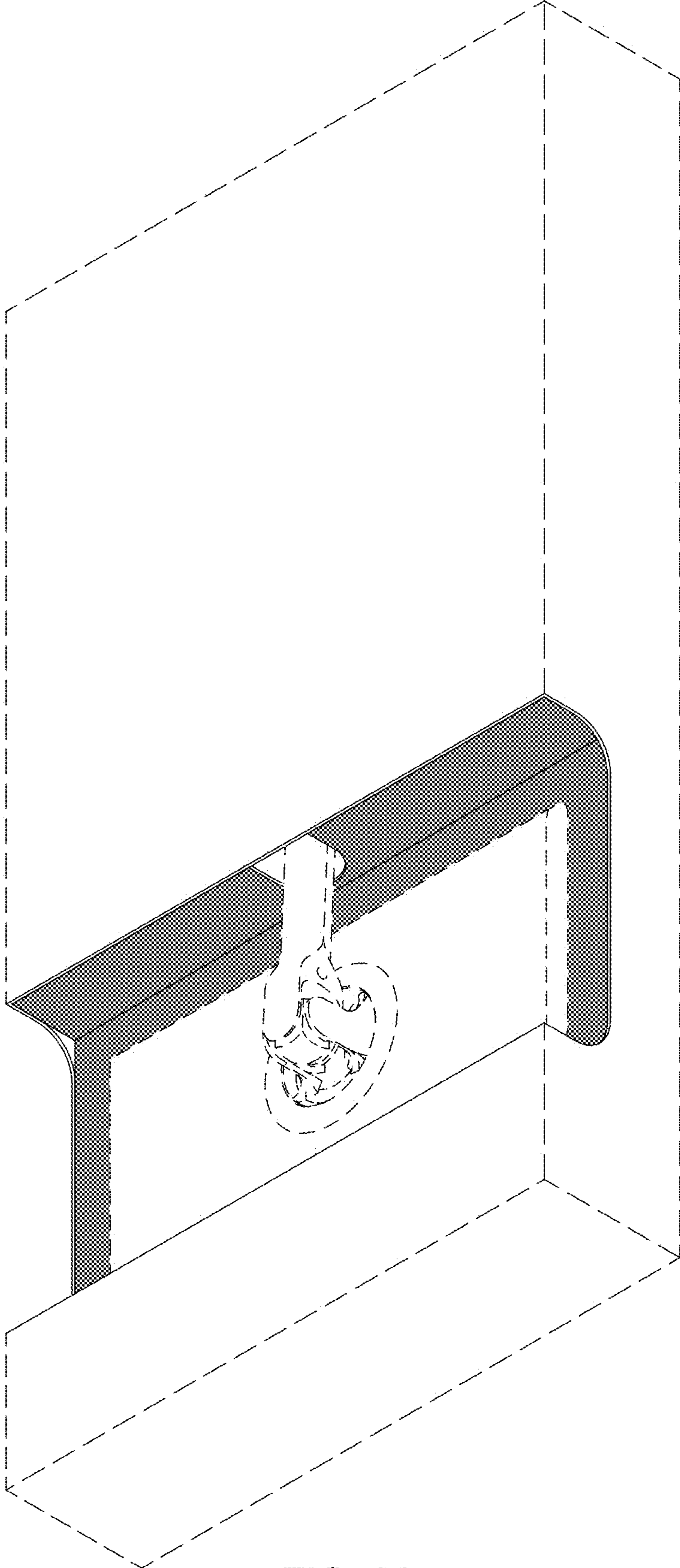


FIG. 26

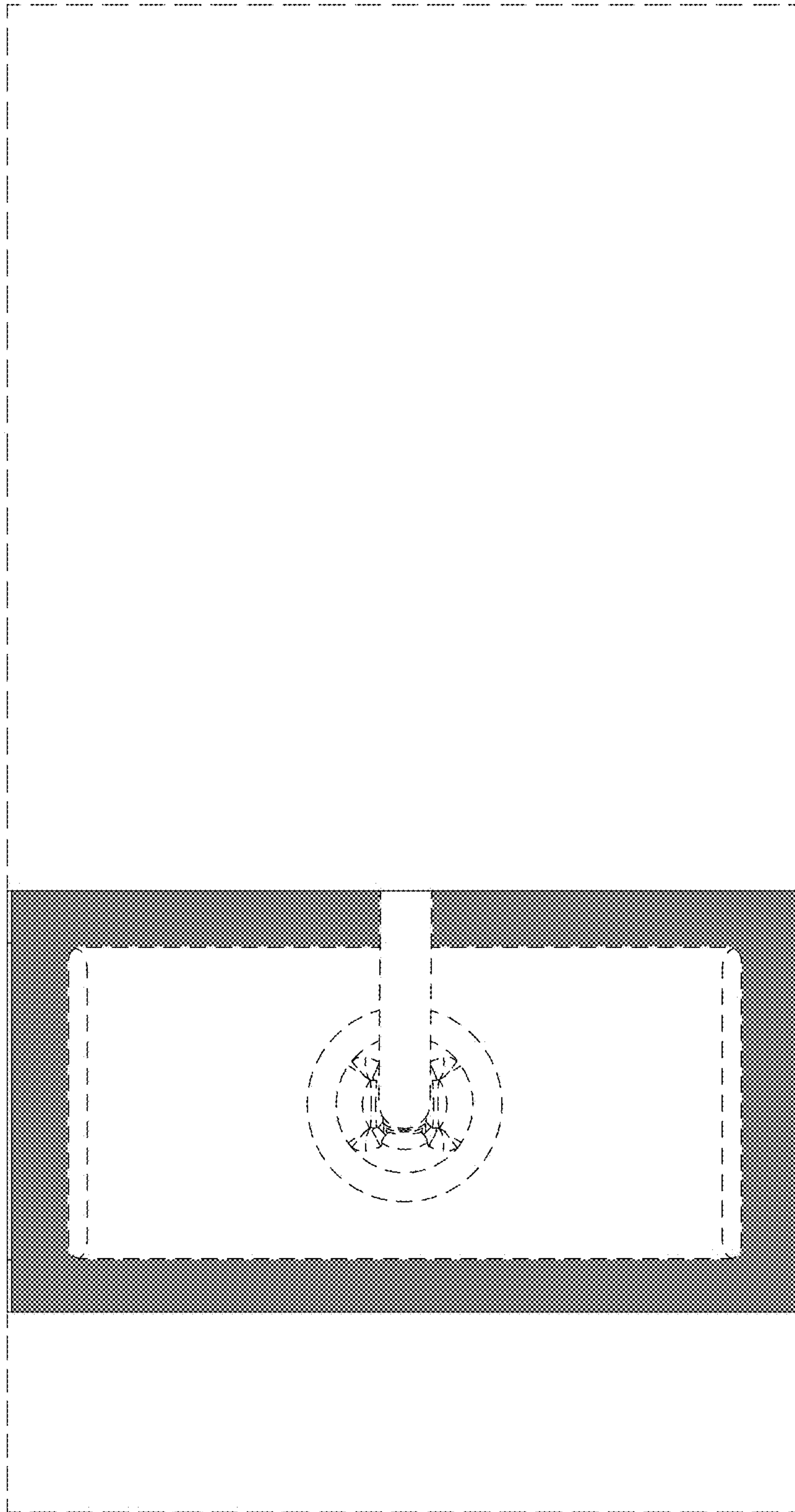


FIG. 27

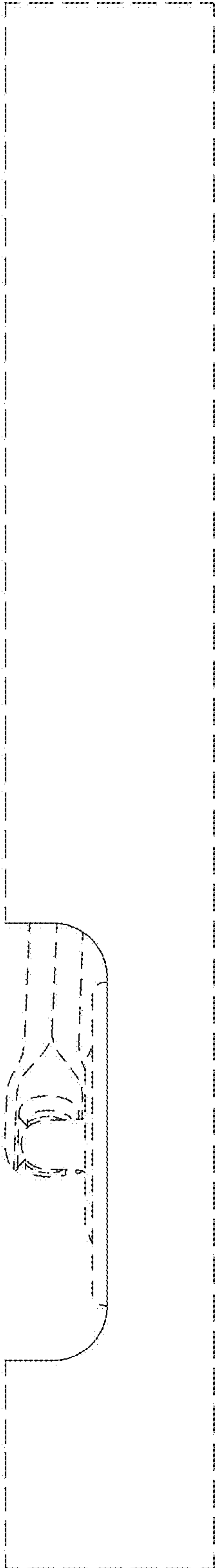


FIG. 28



FIG. 29

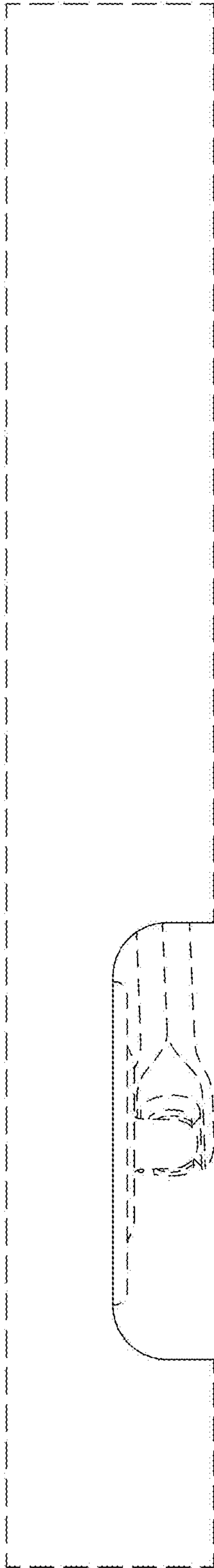


FIG. 30

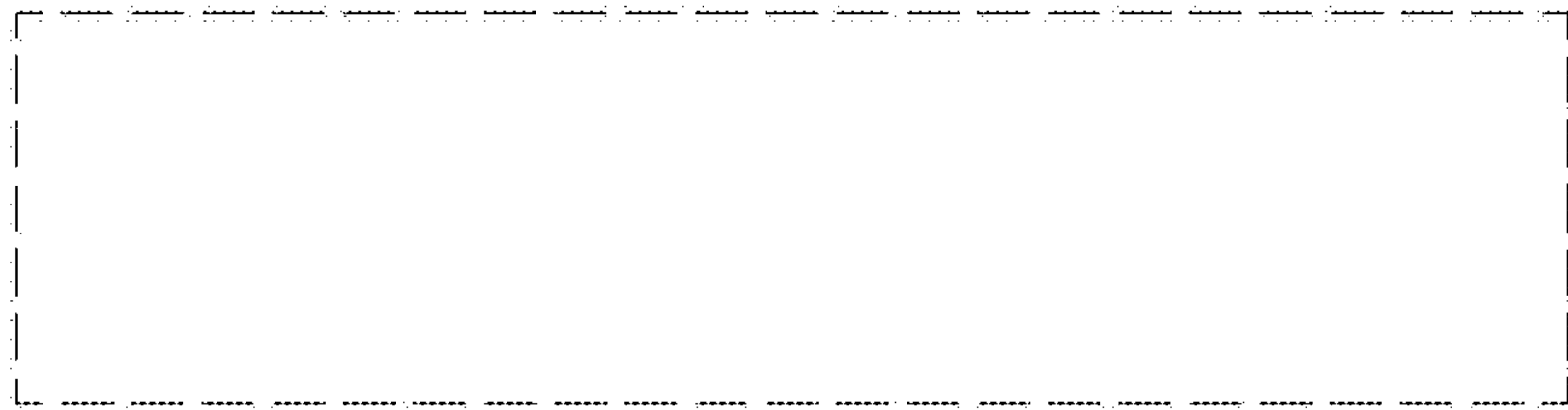


FIG. 31



FIG. 32

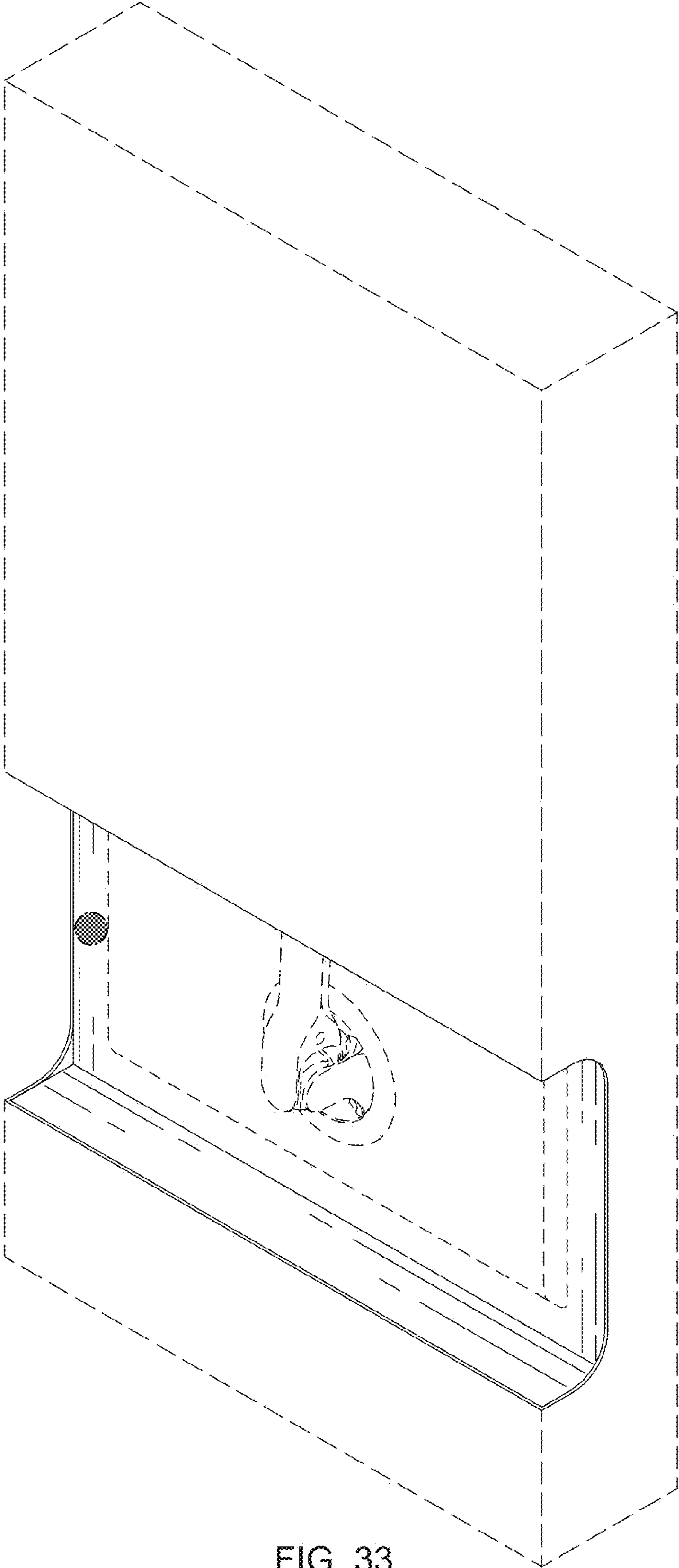


FIG. 33

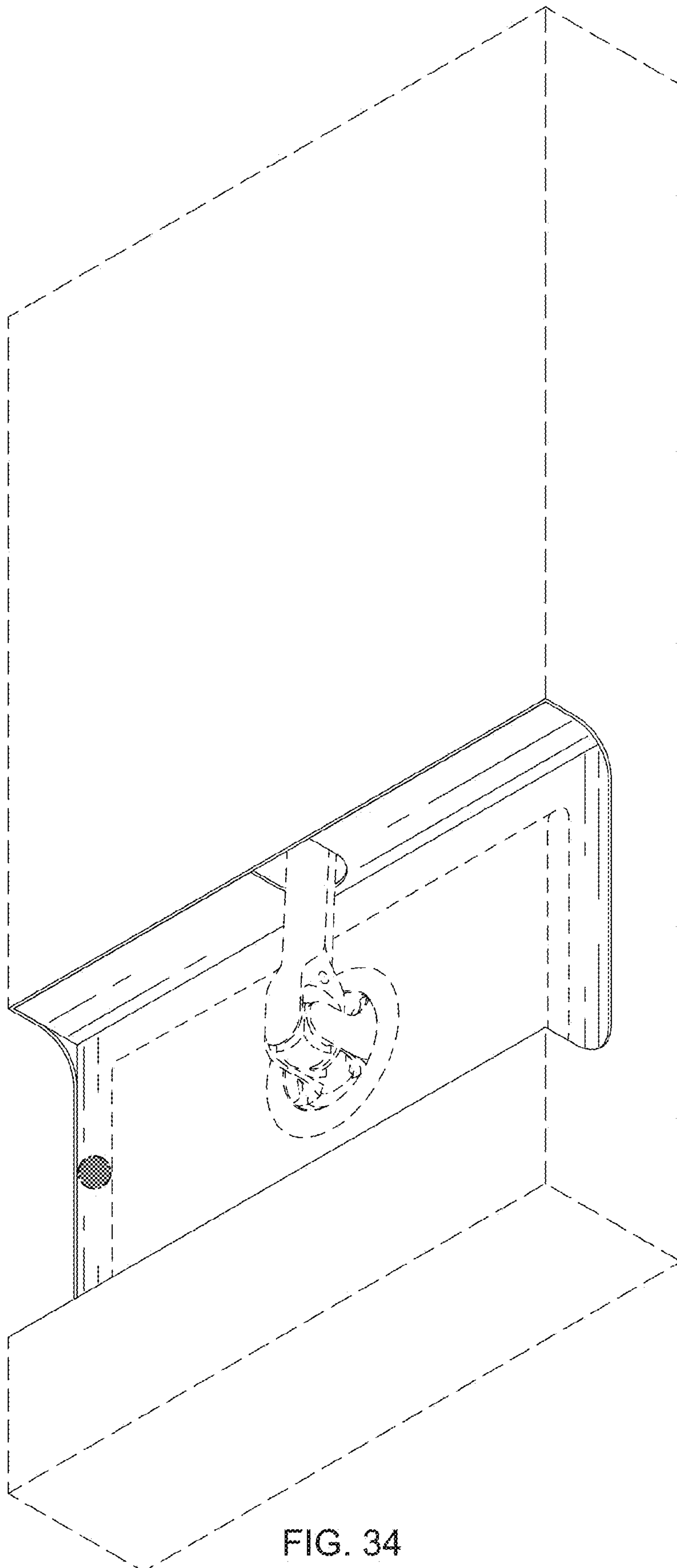


FIG. 34

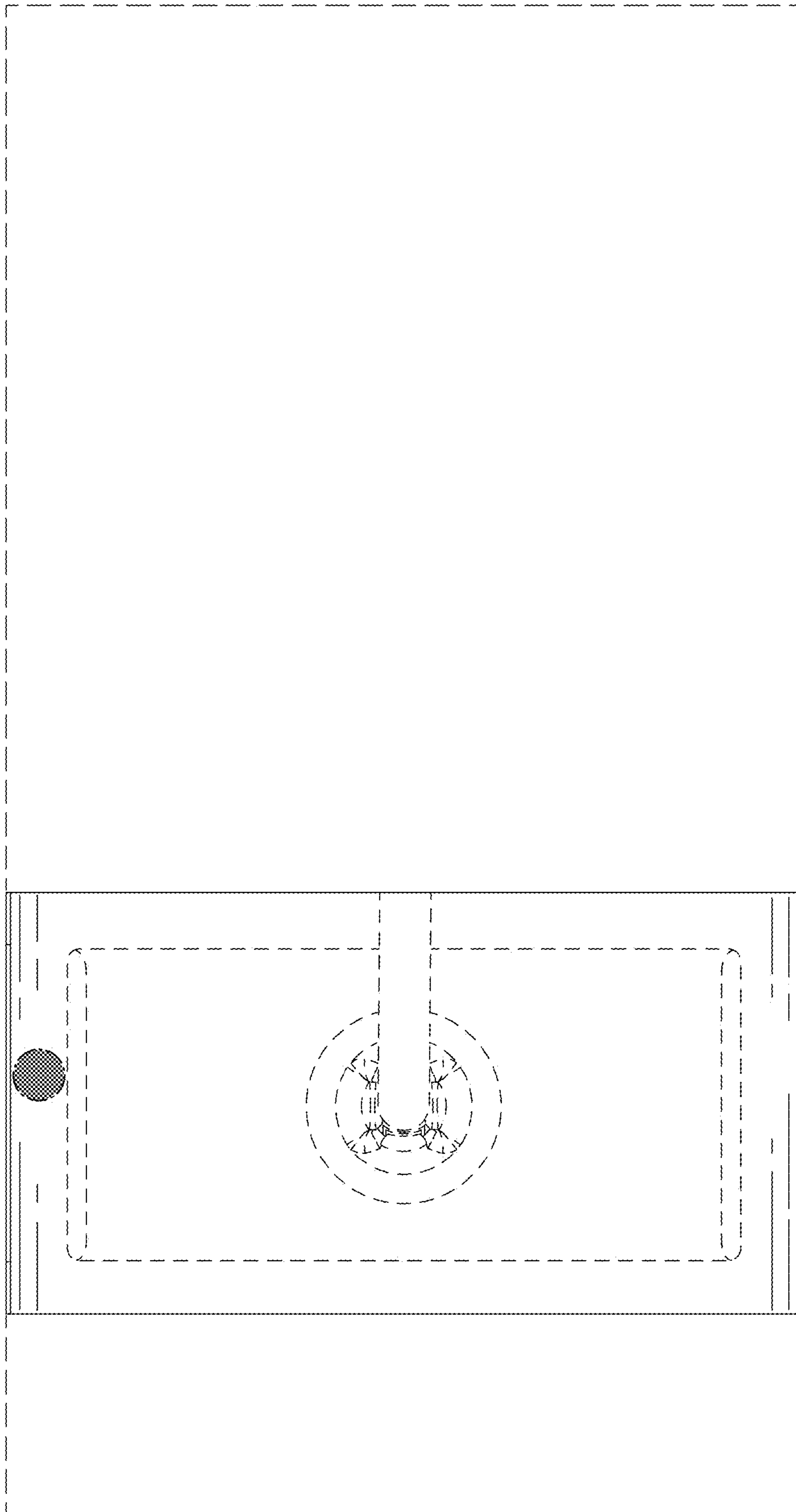


FIG. 35

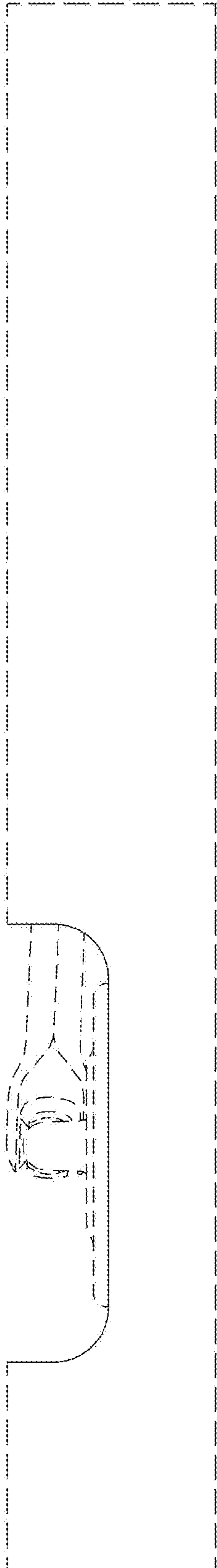


FIG. 36

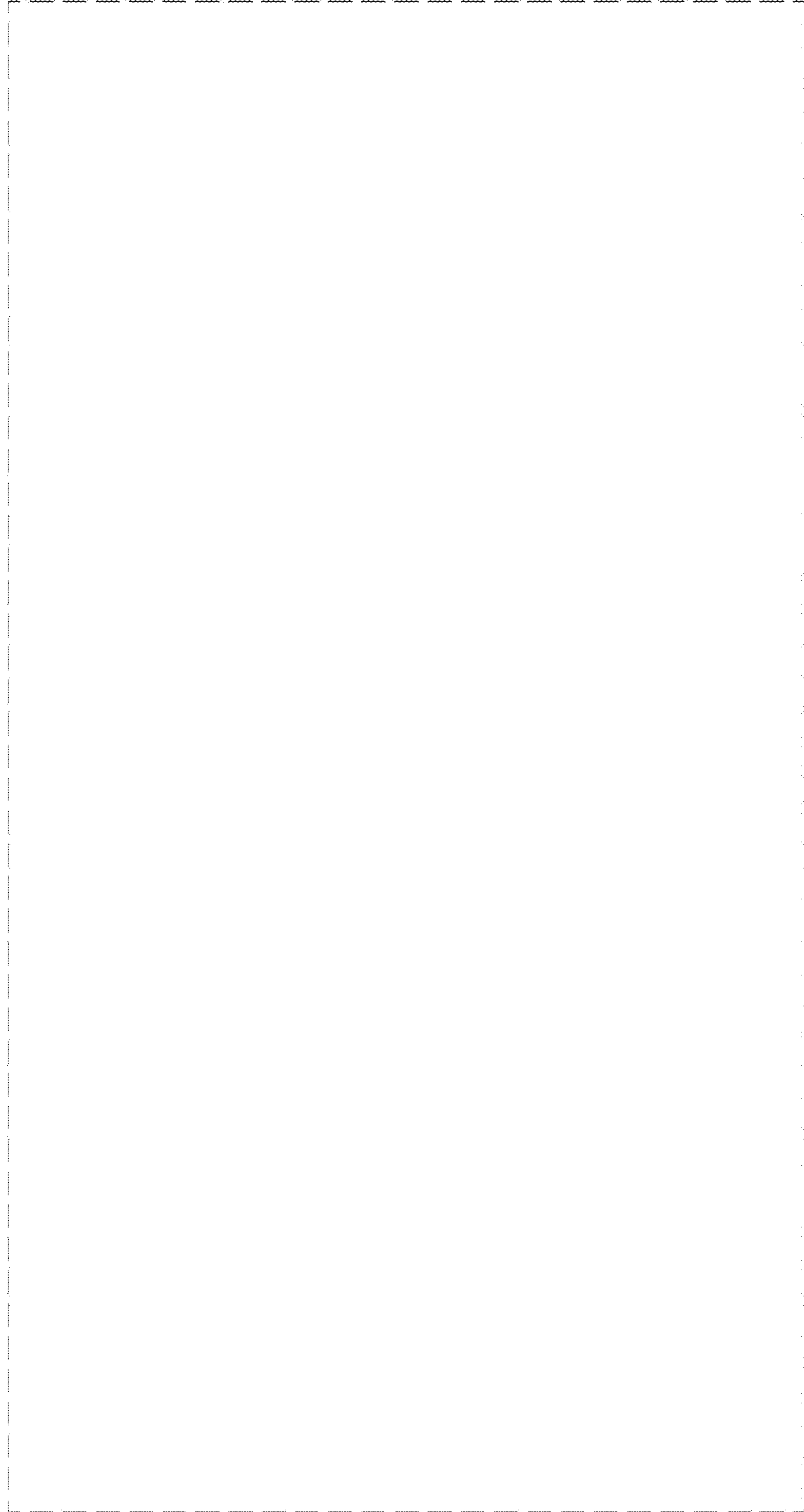


FIG. 37

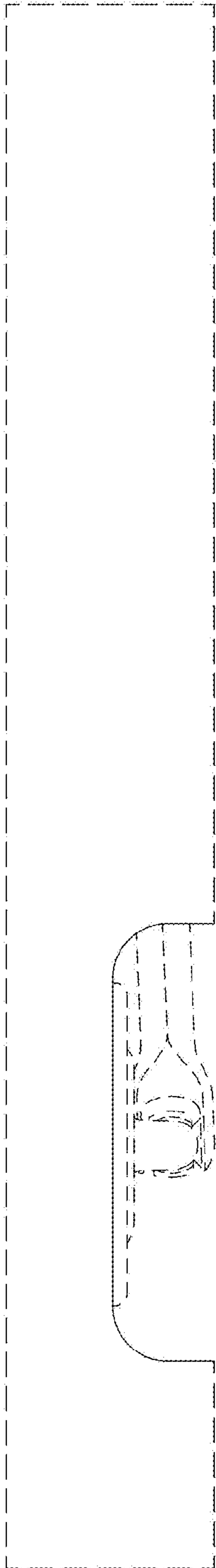


FIG. 38



FIG. 39



FIG. 40

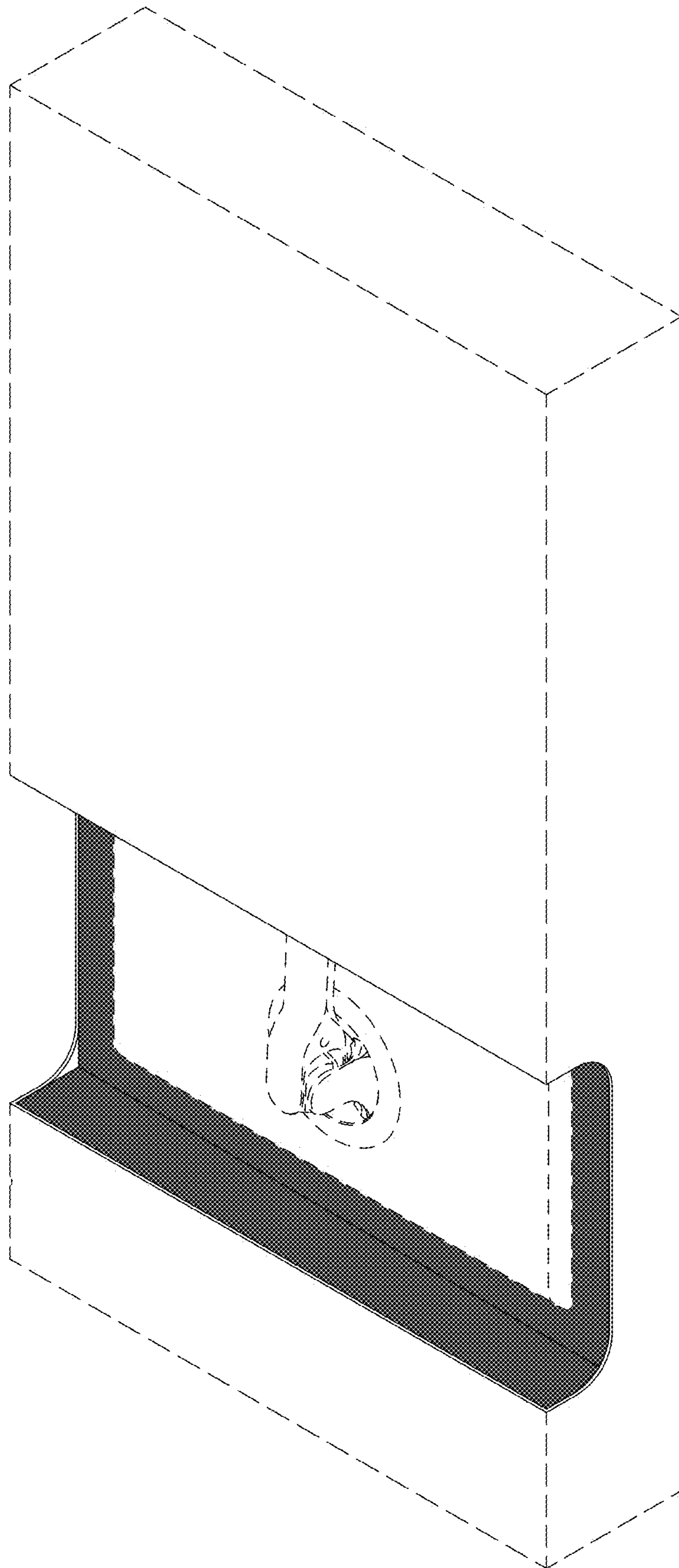


FIG. 41

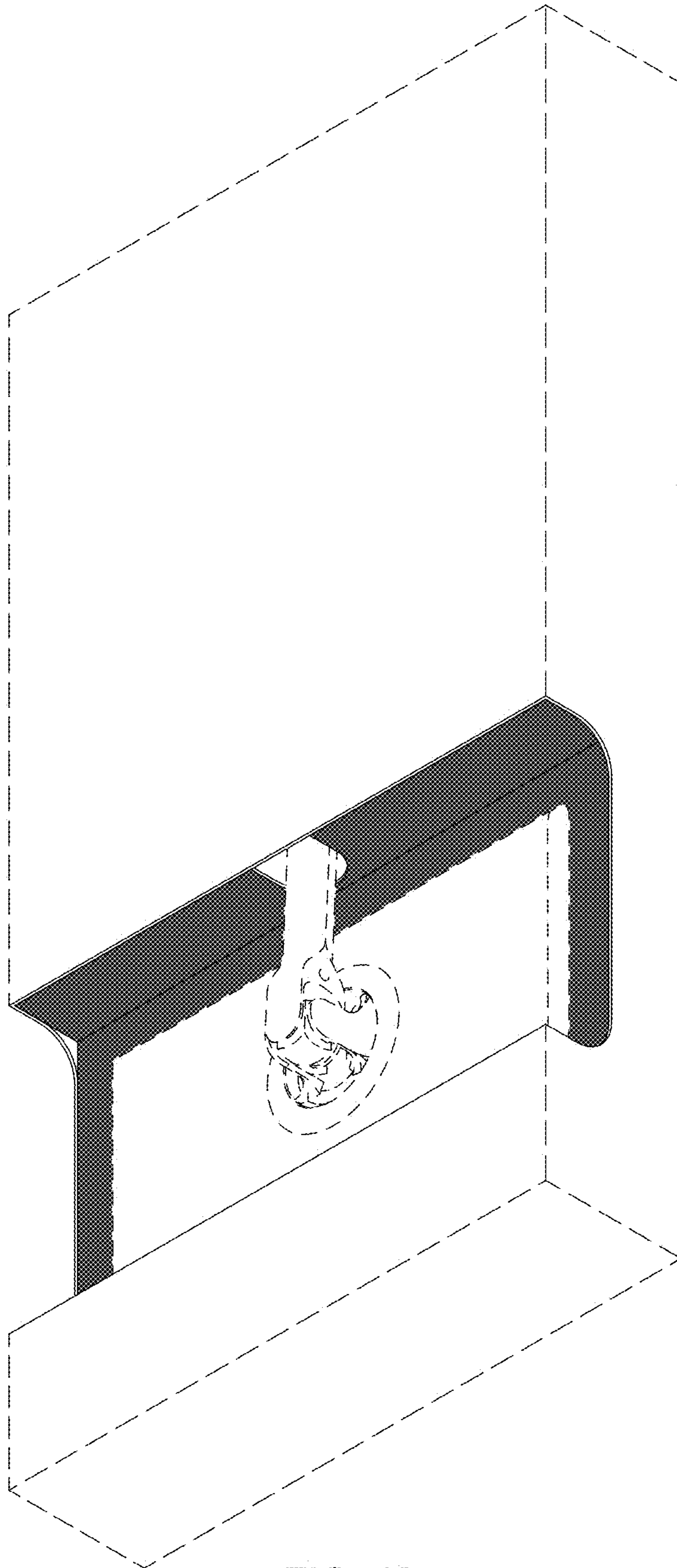


FIG. 42

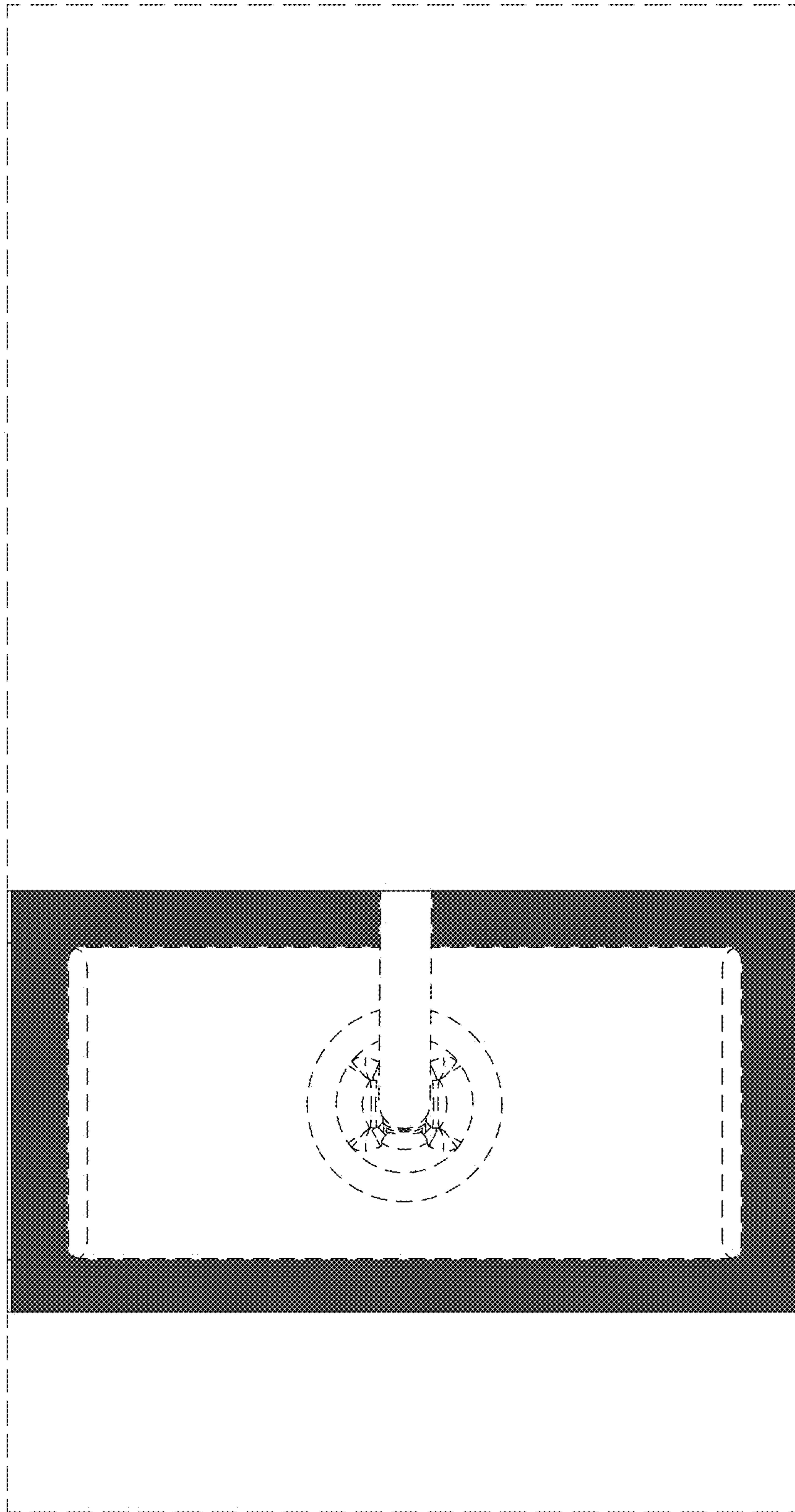


FIG. 43



FIG. 44

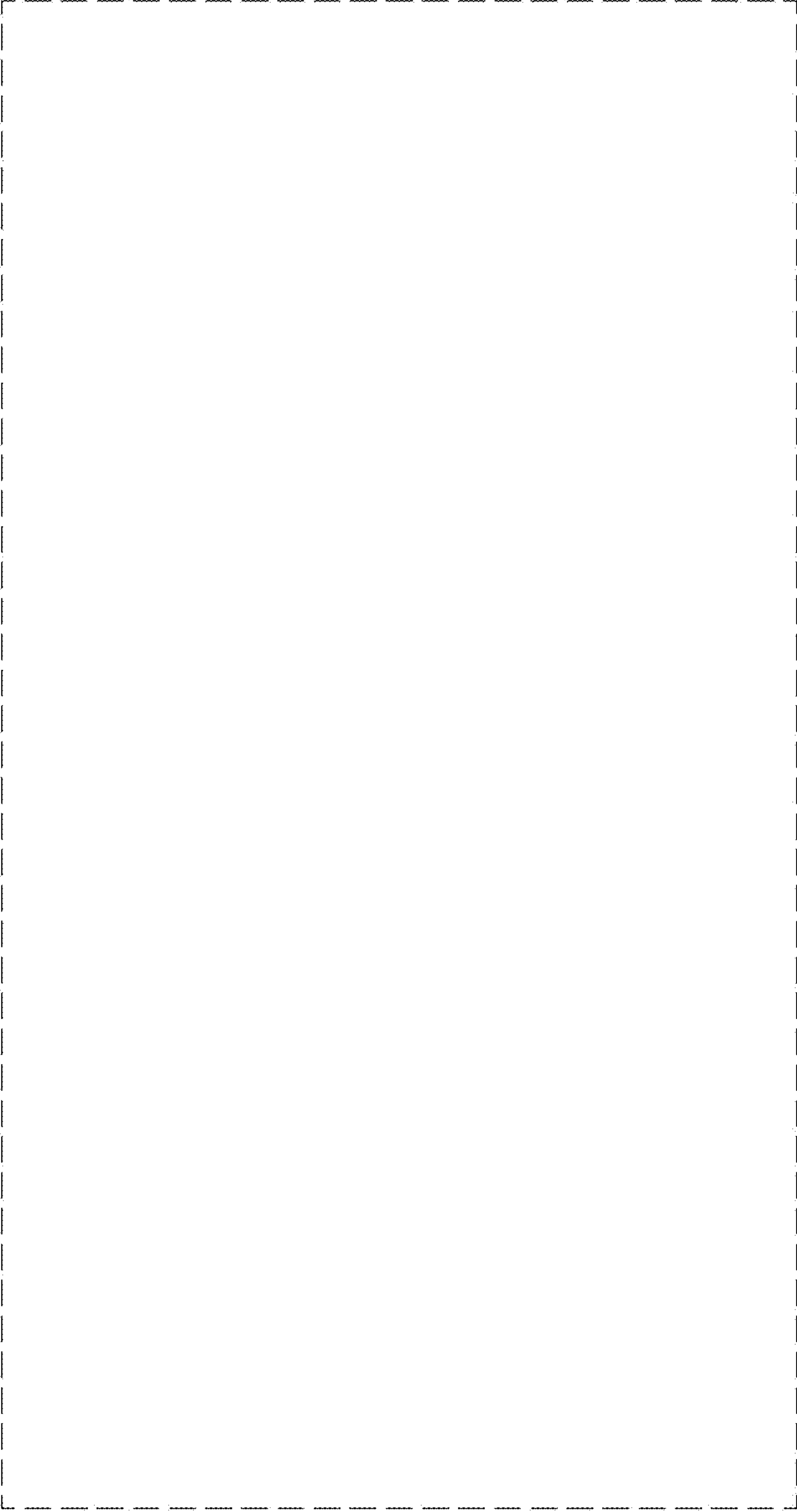


FIG. 45

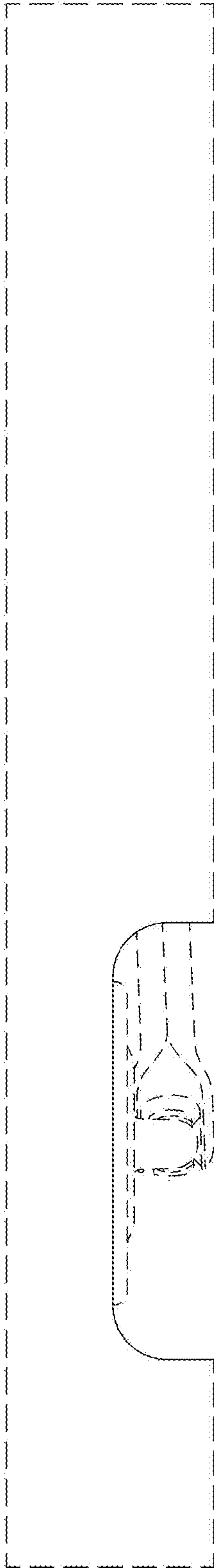


FIG. 46

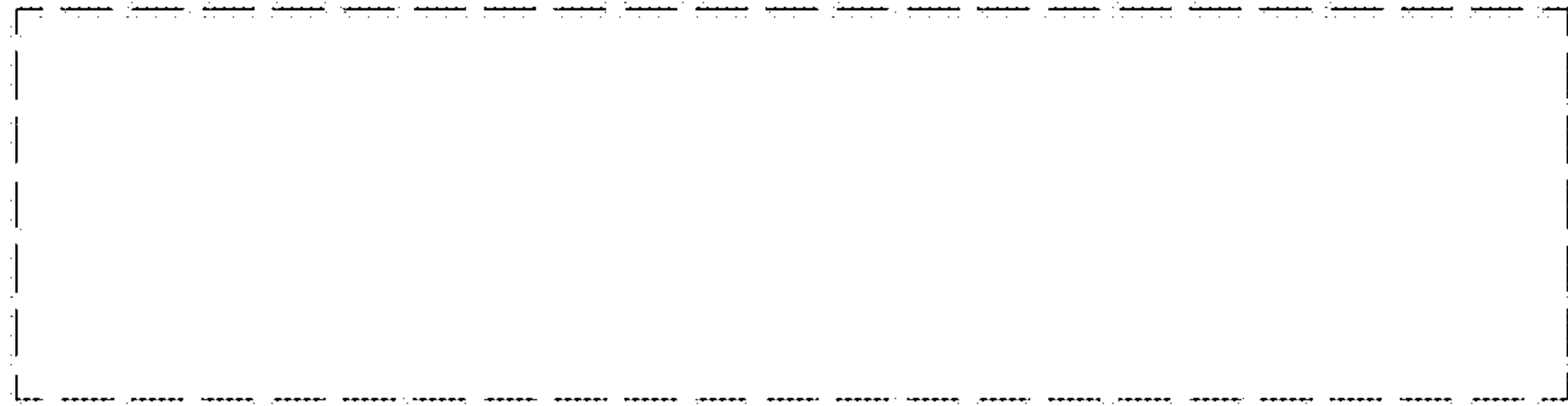


FIG. 47



FIG. 48

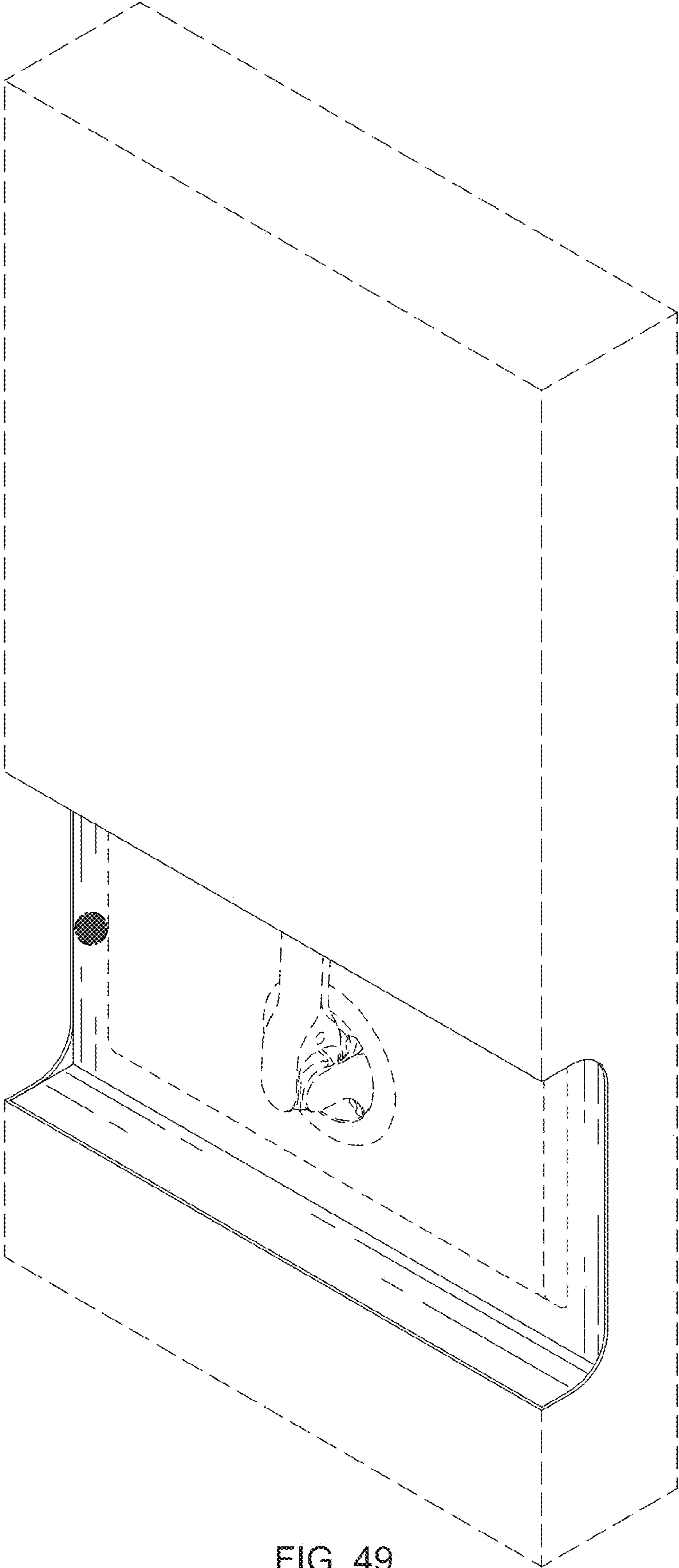


FIG. 49

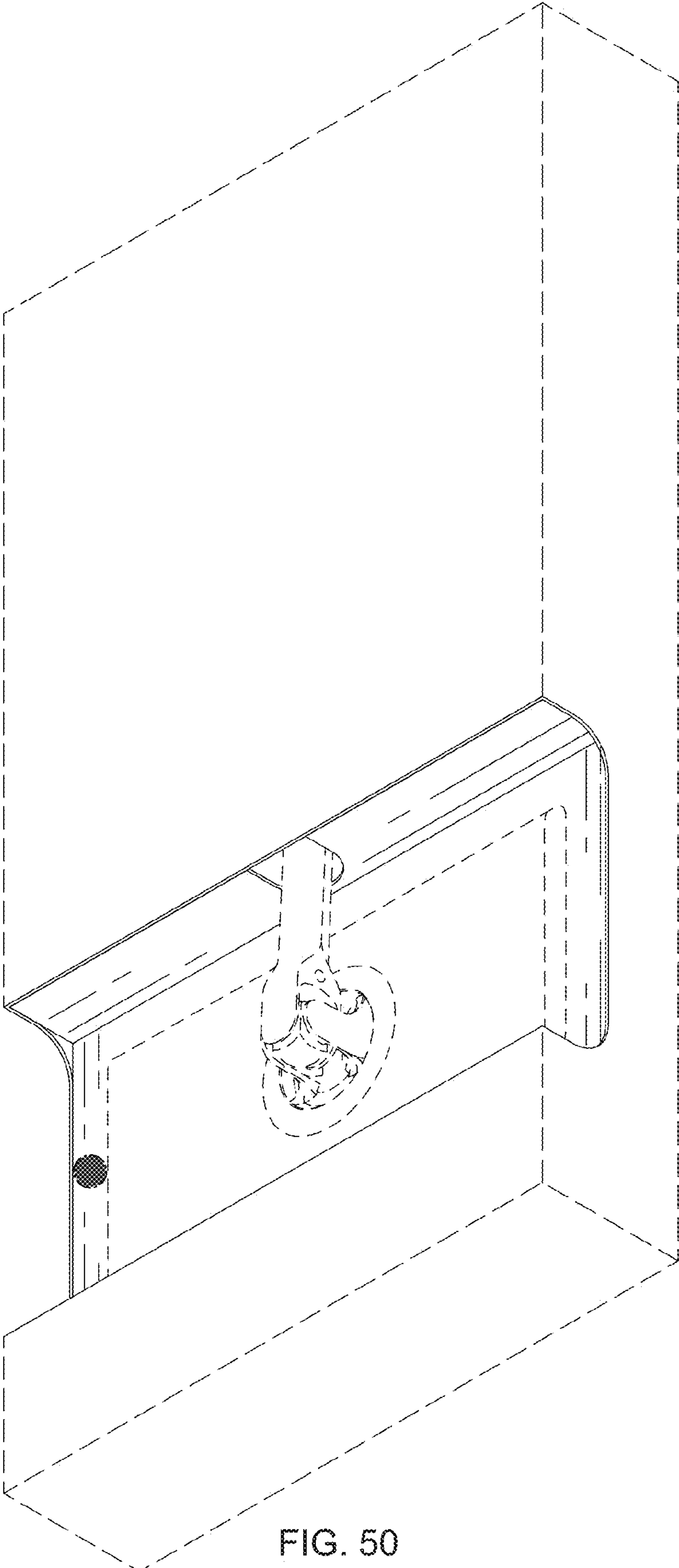


FIG. 50

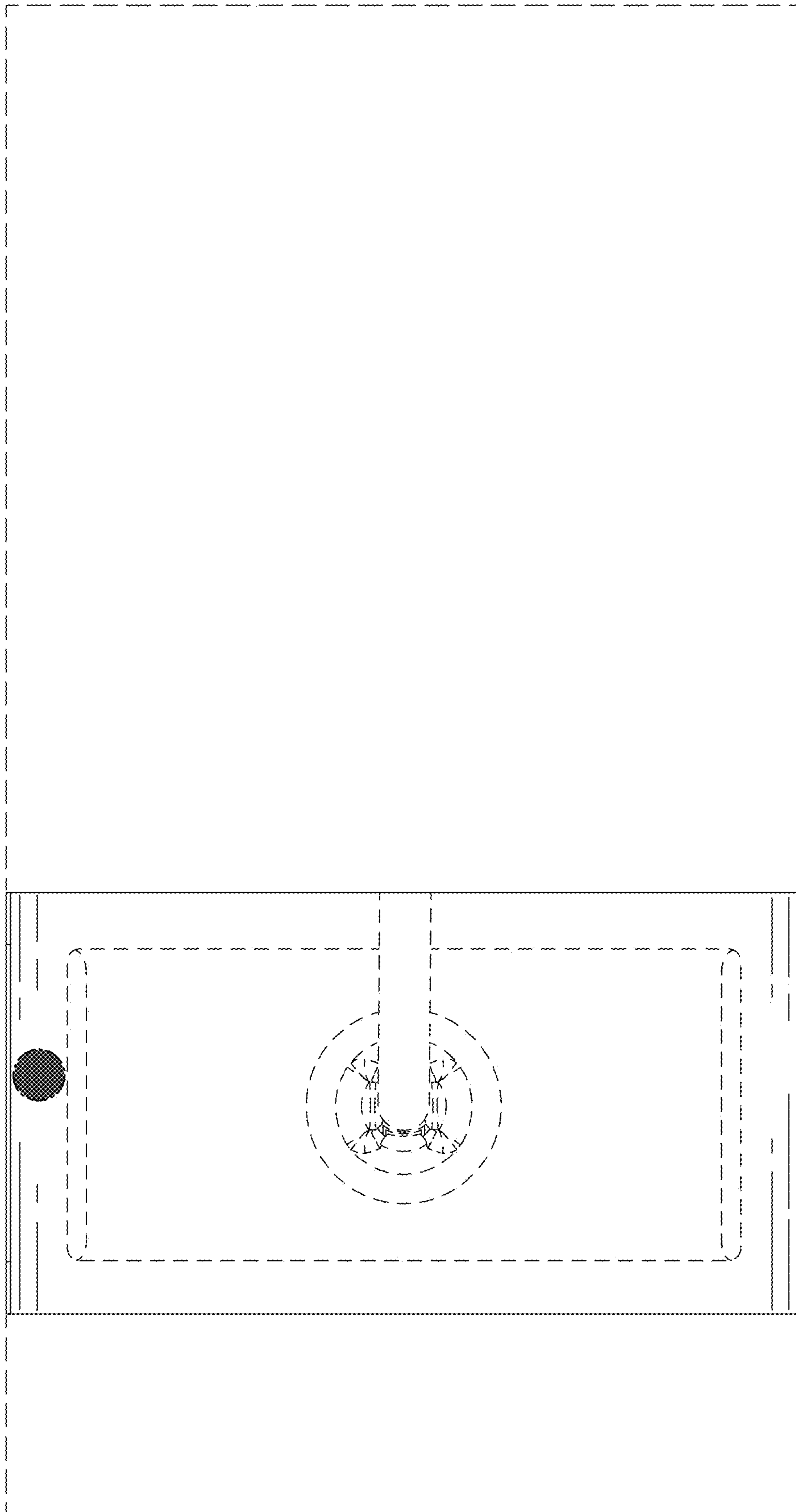


FIG. 51

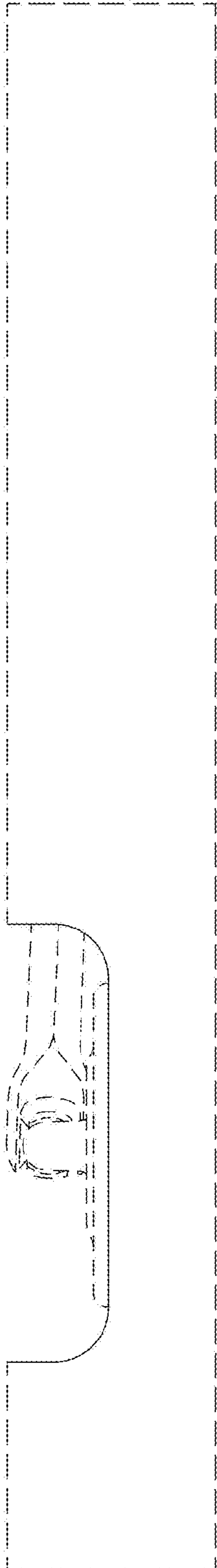


FIG. 52

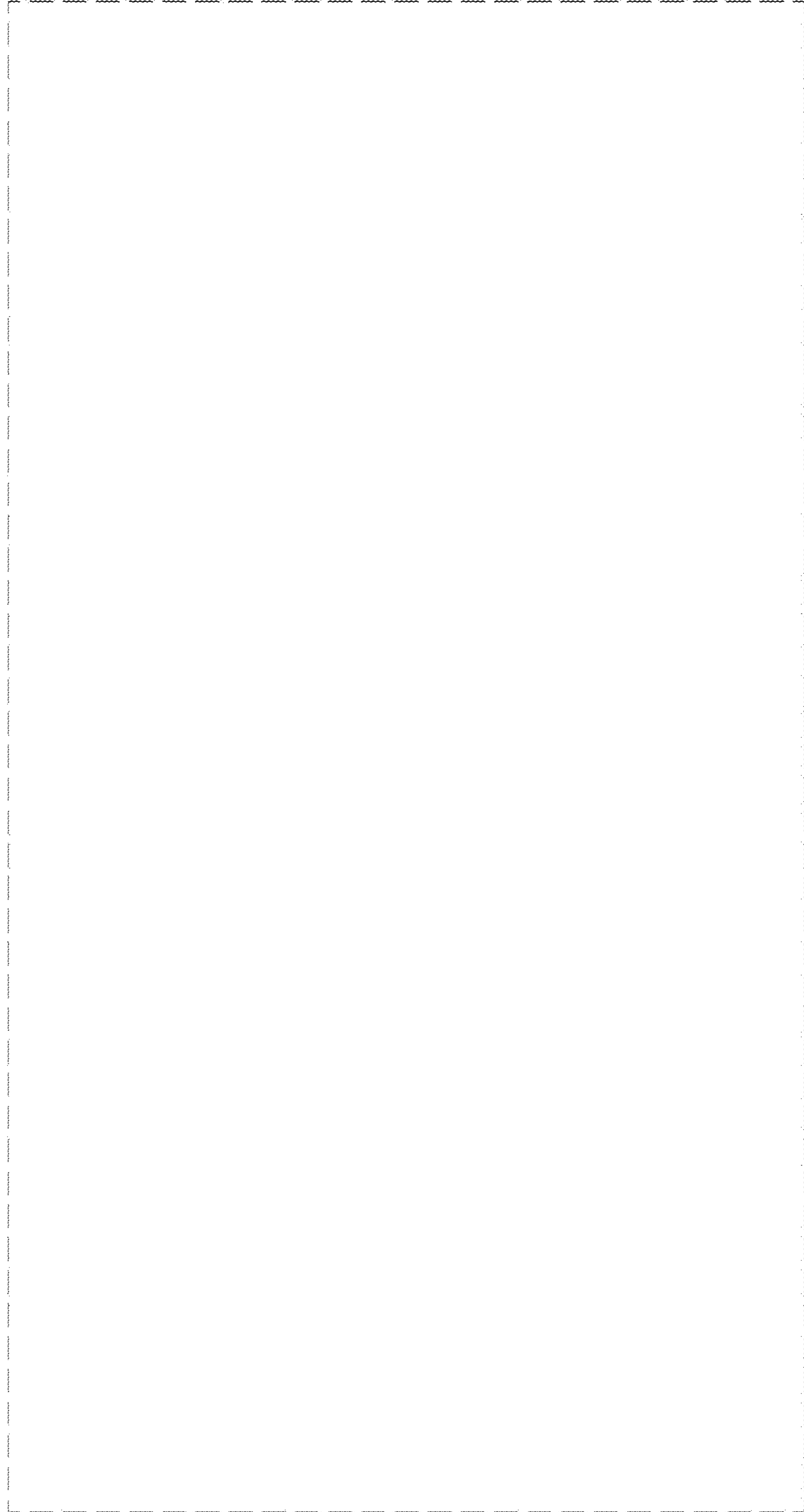


FIG. 53

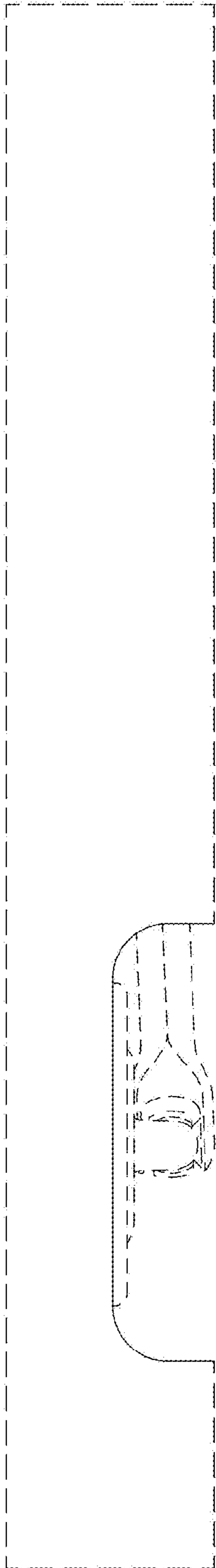


FIG. 54



FIG. 55



FIG. 56