



US00D885881S

(12) **United States Design Patent**  
**Dong**

(10) **Patent No.:** **US D885,881 S**  
(45) **Date of Patent:** **\*\* Jun. 2, 2020**

(54) **DOOR STOPPER**

(71) Applicant: **Xiao-Lei Dong**, Shenzhen (CN)

(72) Inventor: **Xiao-Lei Dong**, Shenzhen (CN)

(\*\*) Term: **15 Years**

(21) Appl. No.: **29/646,260**

(22) Filed: **May 2, 2018**

(51) **LOC (12) Cl.** ..... **08-09**

(52) **U.S. Cl.**  
USPC ..... **D8/402**

(58) **Field of Classification Search**  
USPC ..... D8/330, 331, 226, 339, 343, 342, 349,  
D8/402, 499  
CPC ..... E05C 17/443; E05C 19/18; E05C 19/188;  
F16B 7/10; B60R 25/08  
See application file for complete search history.

(56) **References Cited**

**U.S. PATENT DOCUMENTS**

D400,381 S *	11/1998	Solowiej	.....	D6/550
D517,359 S *	3/2006	Berberet	.....	D6/550
D519,768 S *	5/2006	Wu	.....	D6/550
D570,678 S *	6/2008	Zhang	.....	D8/402
D570,962 S *	6/2008	Dolan	.....	D23/250
D574,648 S *	8/2008	Guo	.....	D6/524
D604,542 S *	11/2009	Kuo	.....	D6/524
D655,961 S *	3/2012	Kemp	.....	D6/524
D666,039 S *	8/2012	Sedwick	.....	D6/524

D699,969 S *	2/2014	Cahill	.....	D6/524
D720,946 S *	1/2015	Fritz	.....	D6/524
9,267,317 B2 *	2/2016	Vu	.....	E05F 5/06
2004/0045128 A1 *	3/2004	Frushour	.....	E05C 17/56 16/82

\* cited by examiner

*Primary Examiner* — John Windmuller

(74) *Attorney, Agent, or Firm* — ScienBiziP, P.C.

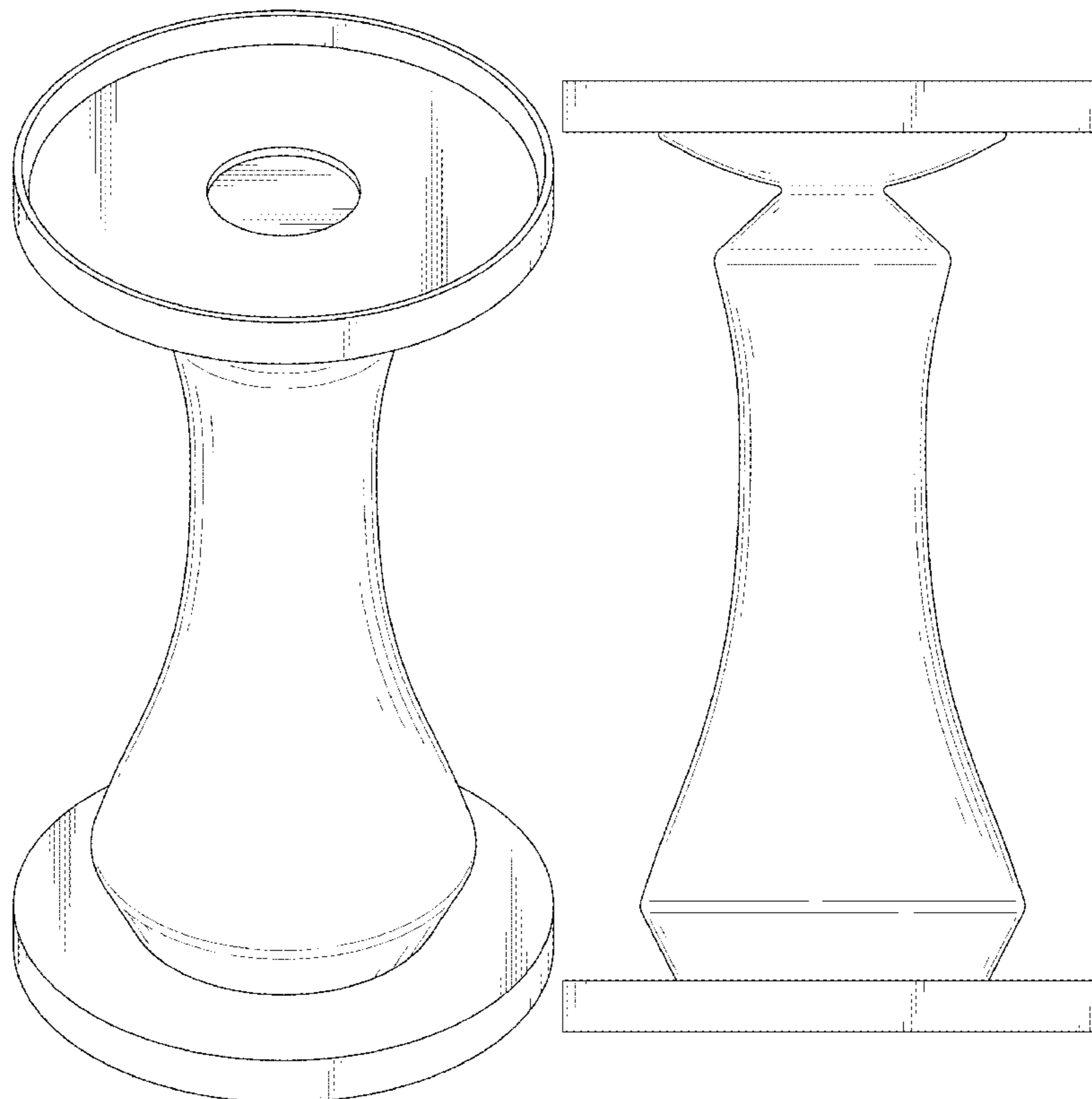
(57) **CLAIM**

The ornamental design for a door stopper, as shown and described.

**DESCRIPTION**

FIG. 1 is a first perspective view of a door stopper, showing my new design;  
 FIG. 2 is a second perspective view thereof;  
 FIG. 3 is a front elevation view of the door stopper shown in FIG. 1;  
 FIG. 4 is a rear elevation view of the door stopper shown in FIG. 1;  
 FIG. 5 is a left side elevation view of the door stopper shown in FIG. 1;  
 FIG. 6 is a right side elevation view of the door stopper shown in FIG. 1;  
 FIG. 7 is a top plan view of the door stopper shown in FIG. 1;  
 FIG. 8 is a bottom plan view of the door stopper shown in FIG. 1; and,  
 FIG. 9 is a perspective view of the door stopper in an environment in which it may be used.

**1 Claim, 9 Drawing Sheets**



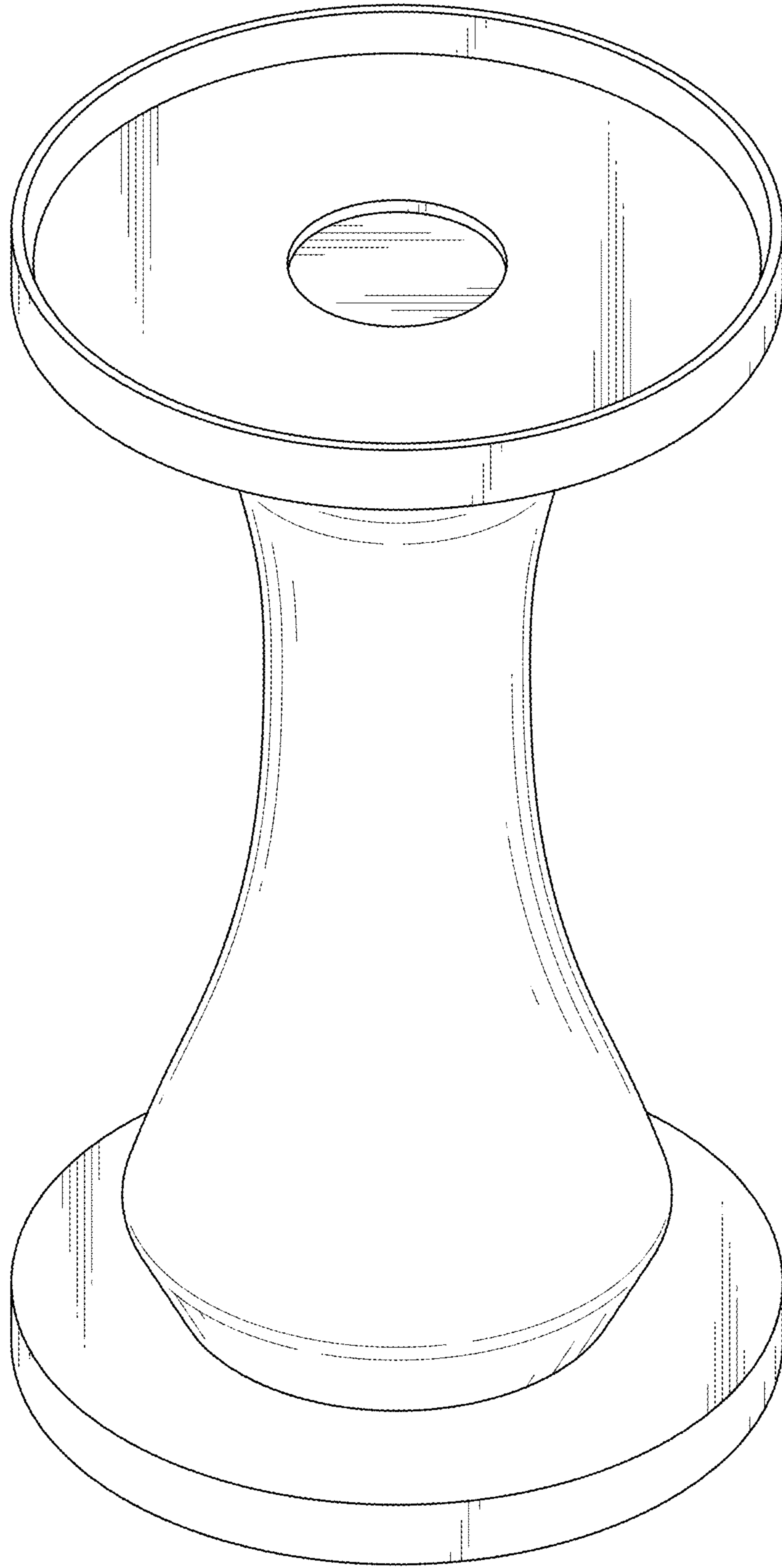


FIG. 1

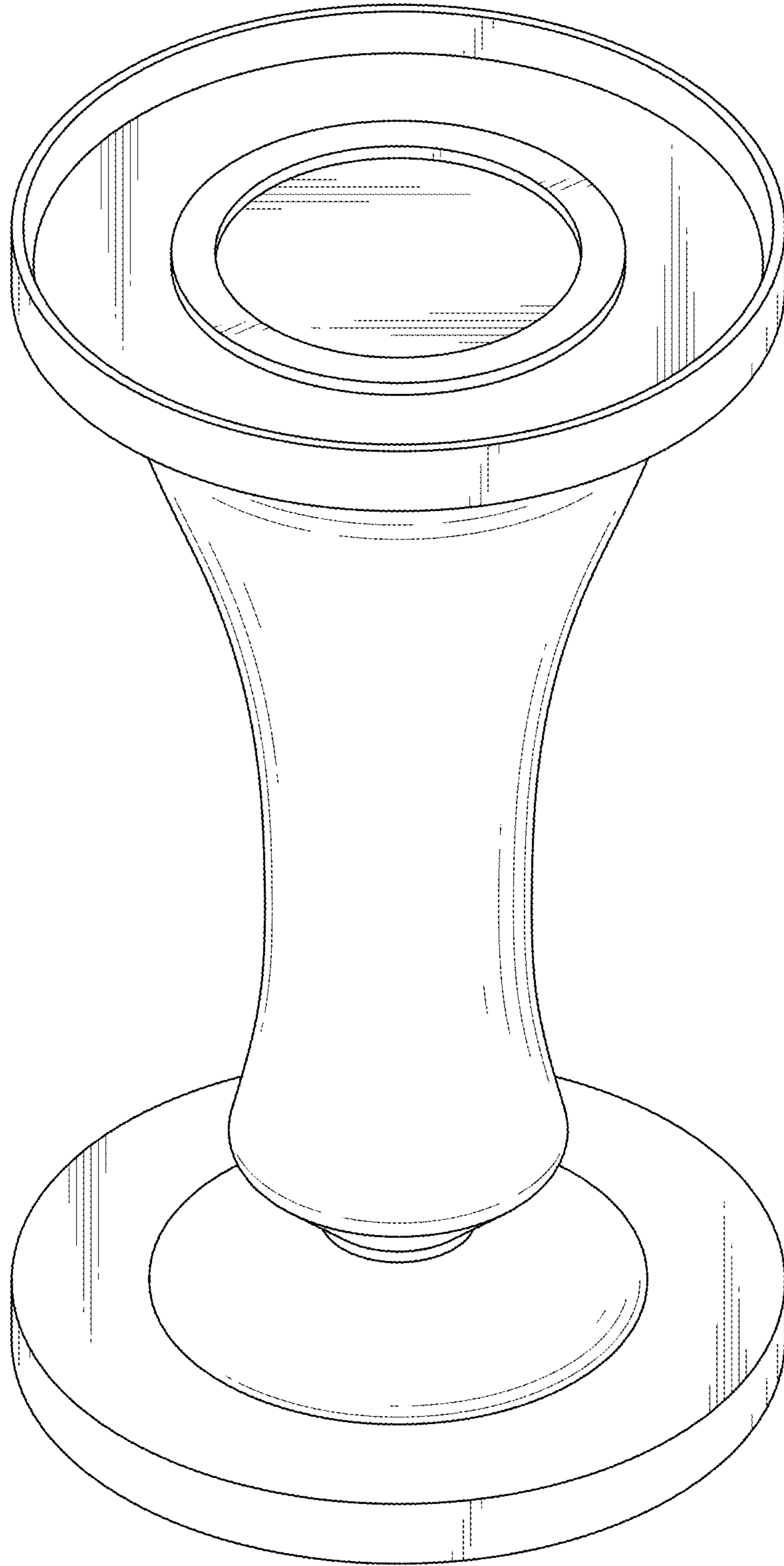


FIG. 2

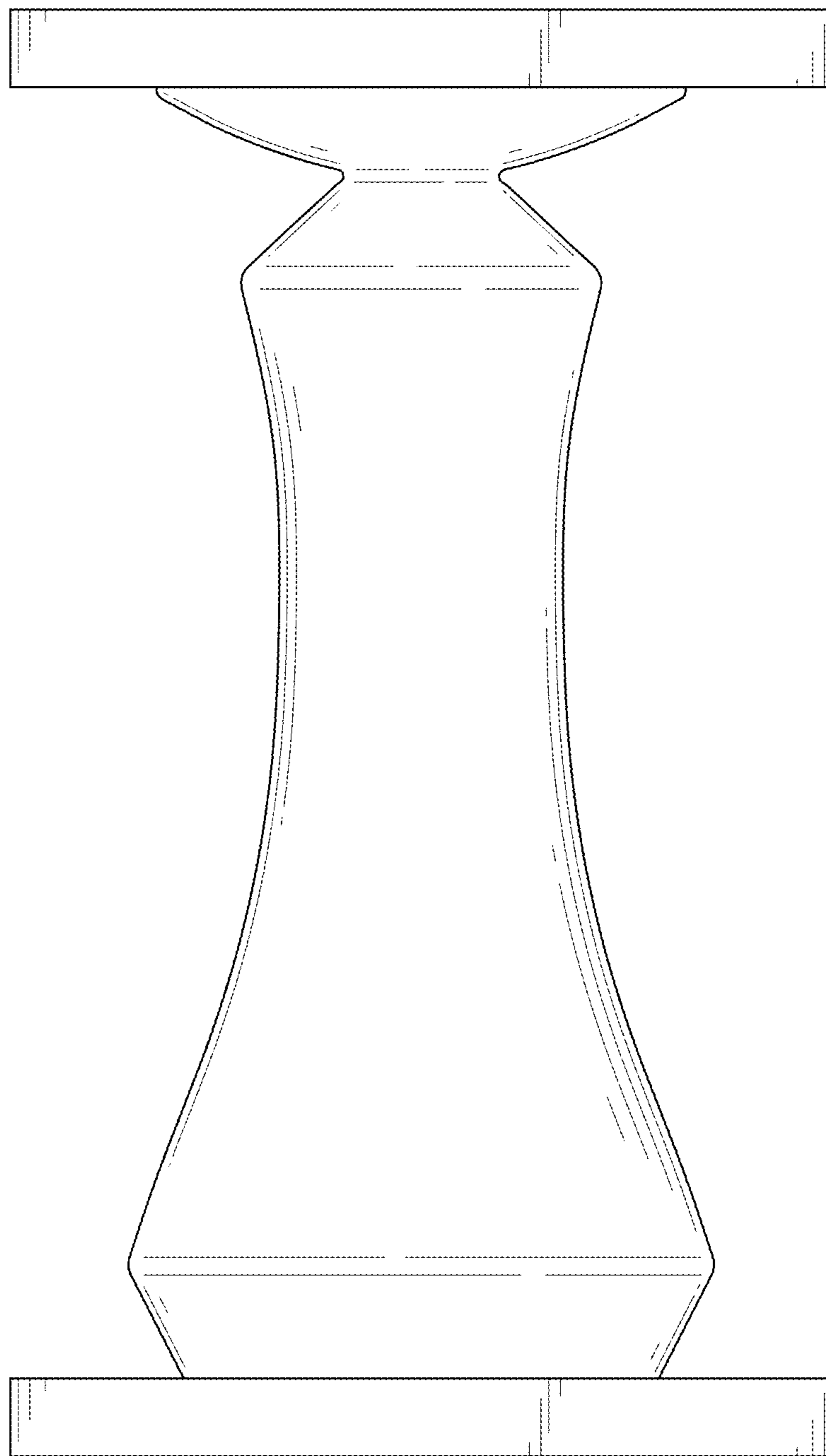


FIG. 3

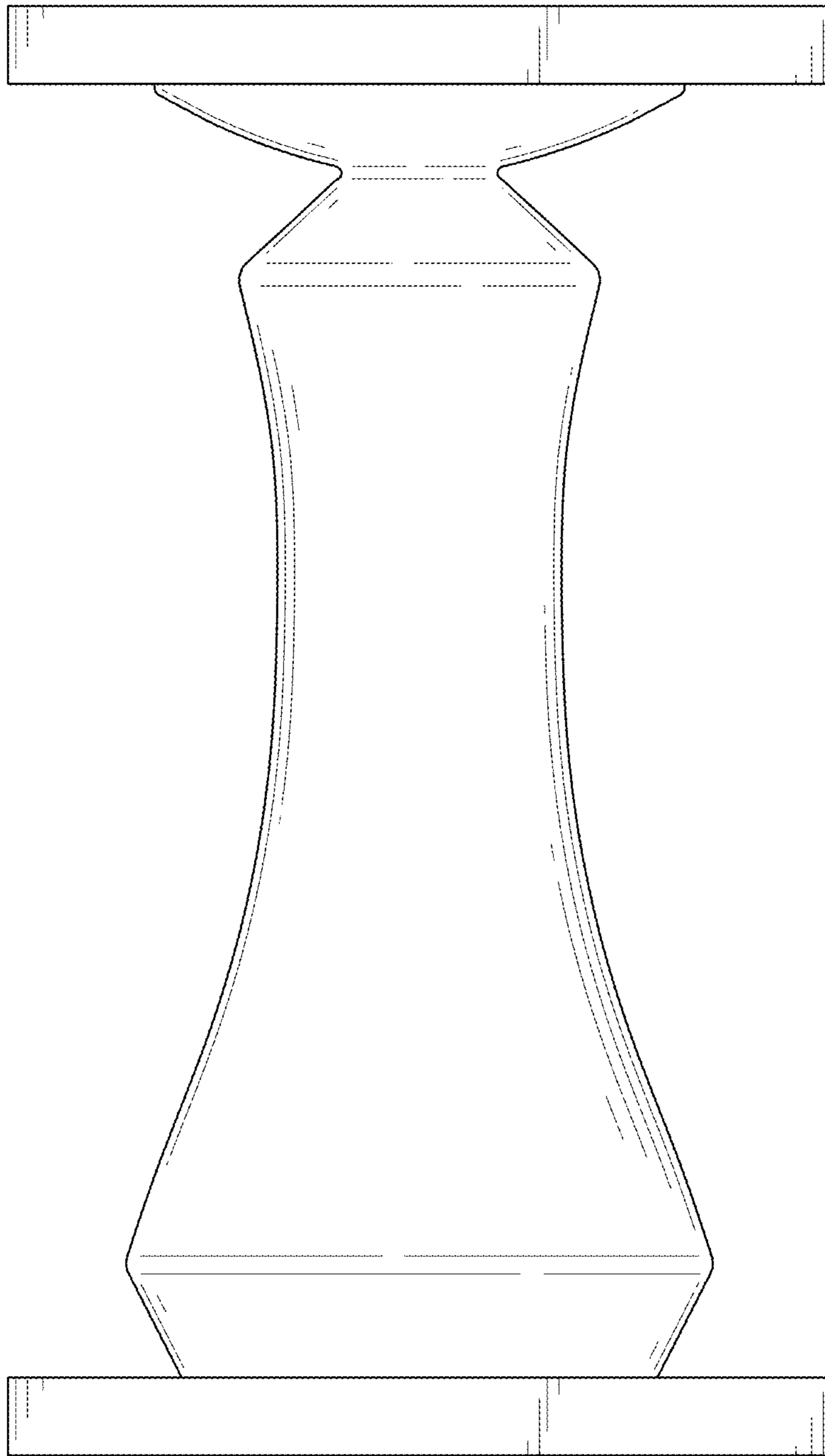


FIG. 4

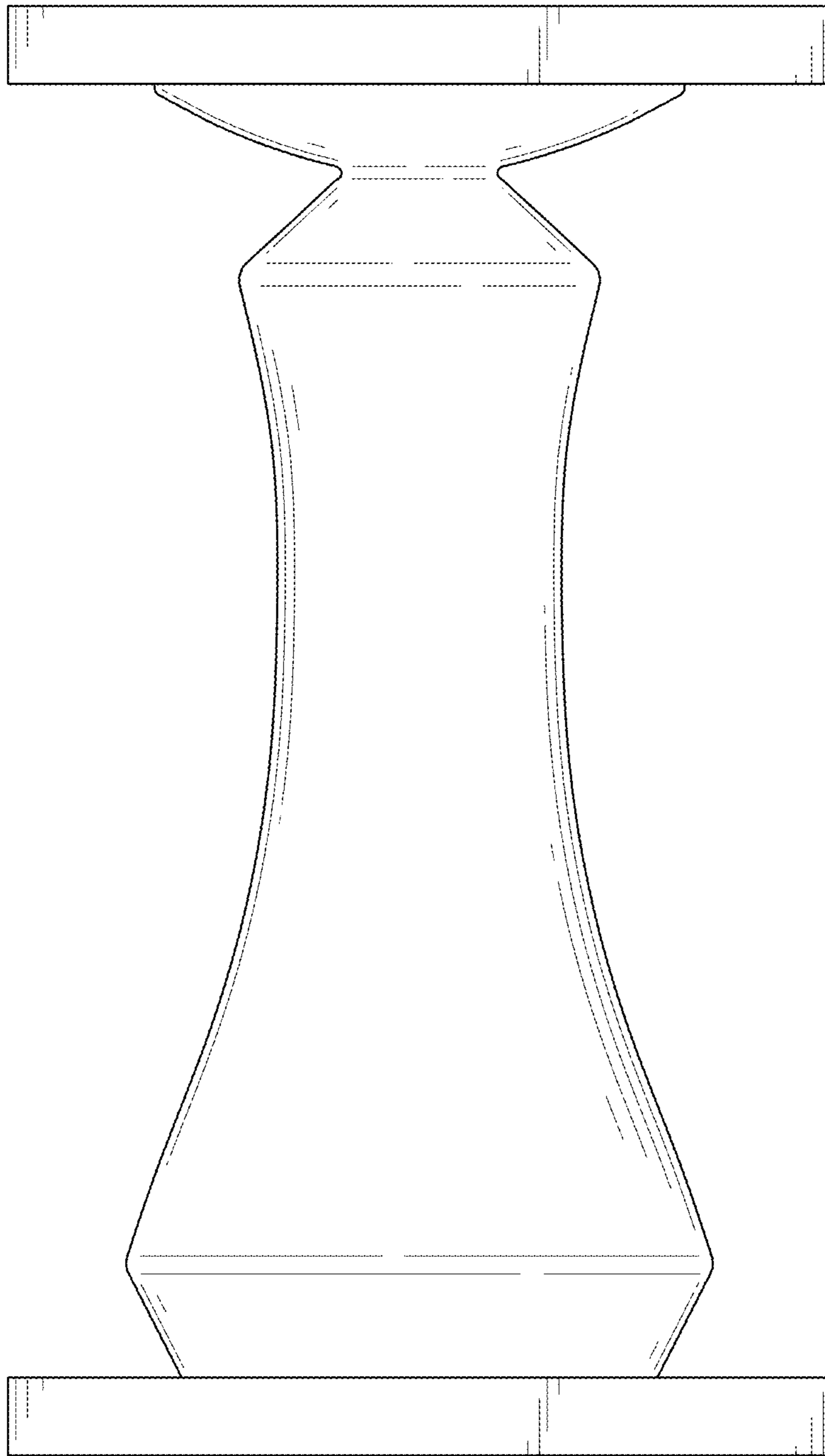


FIG. 5



FIG. 6

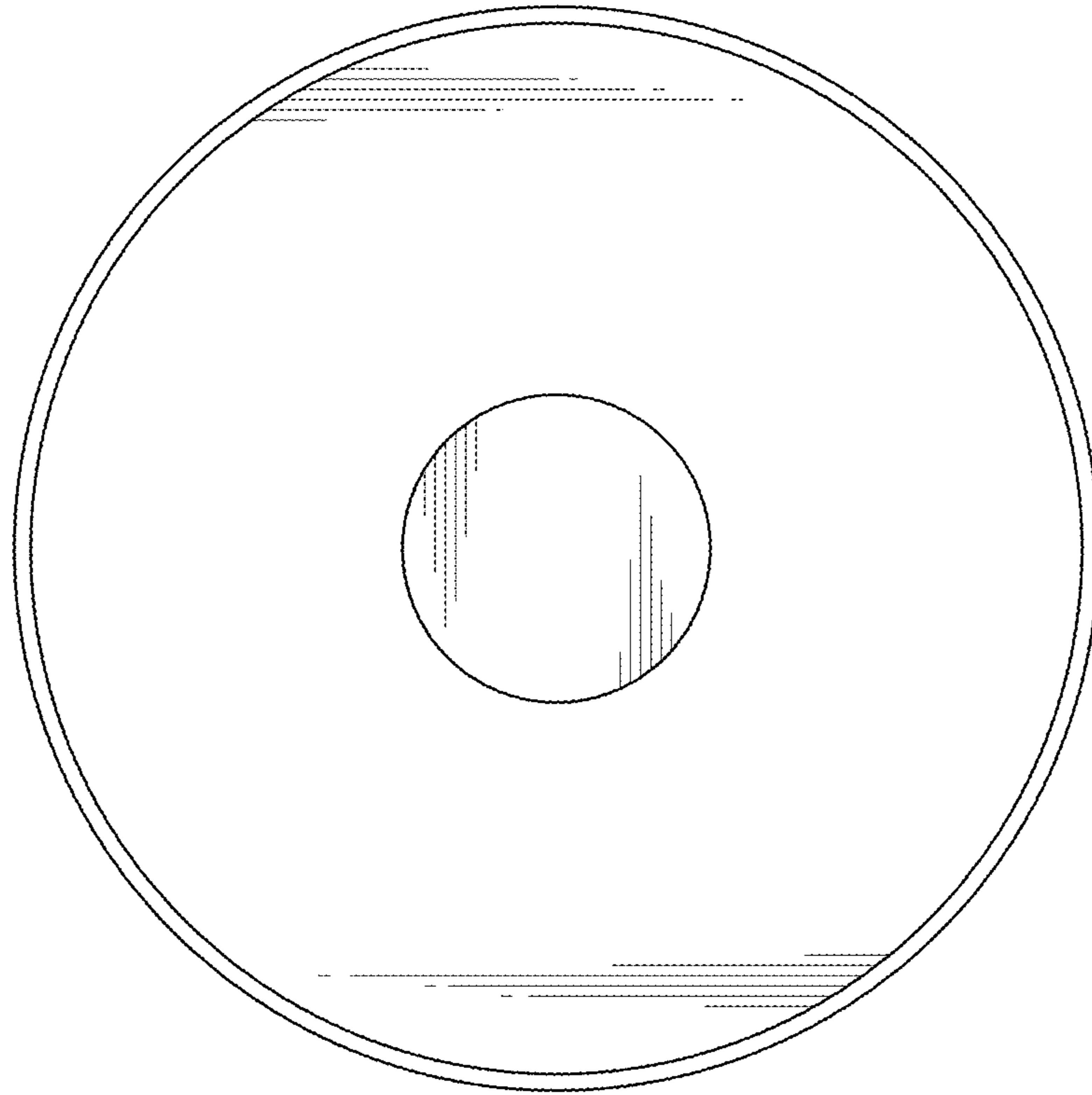


FIG. 7



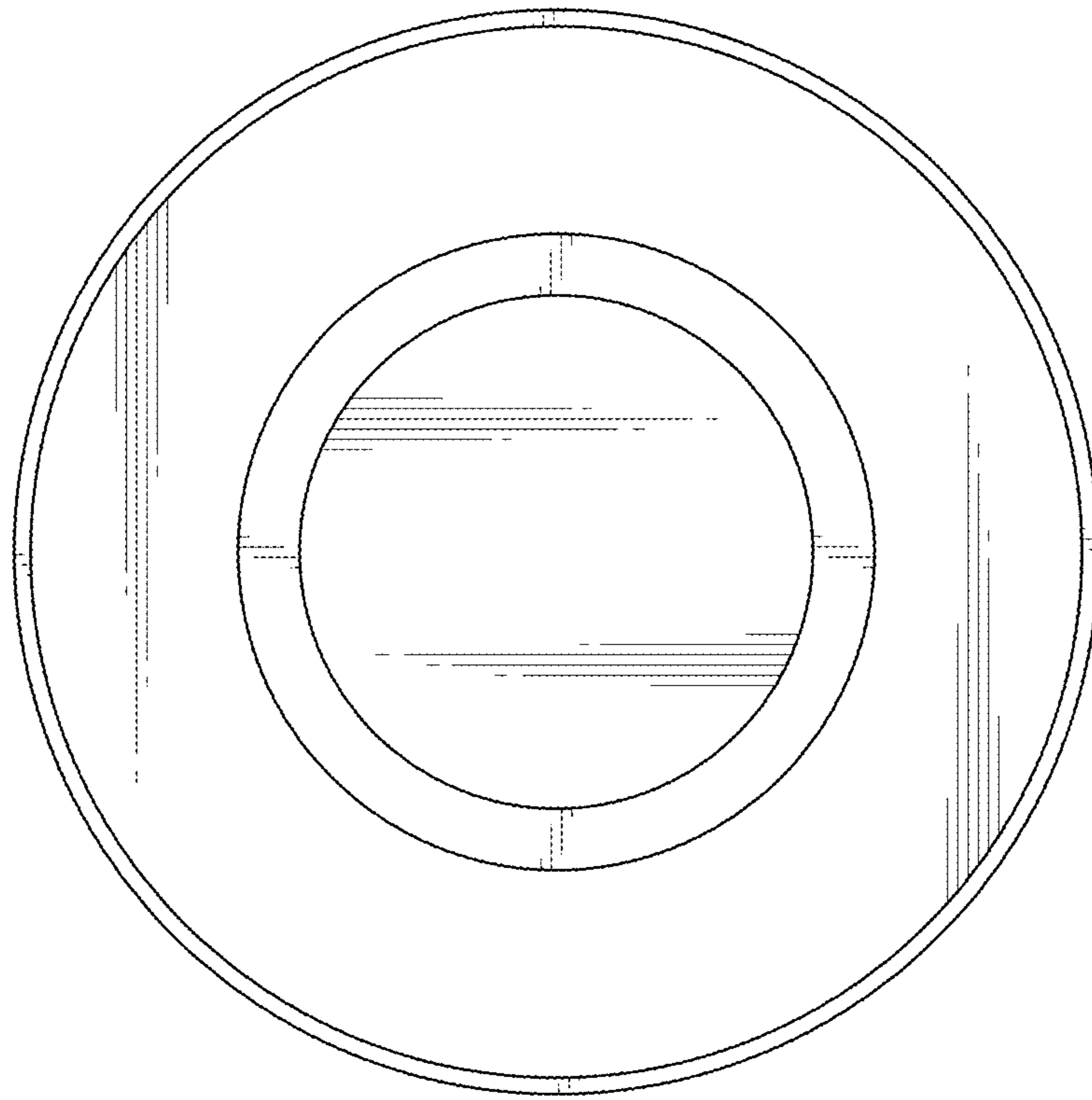


FIG. 8

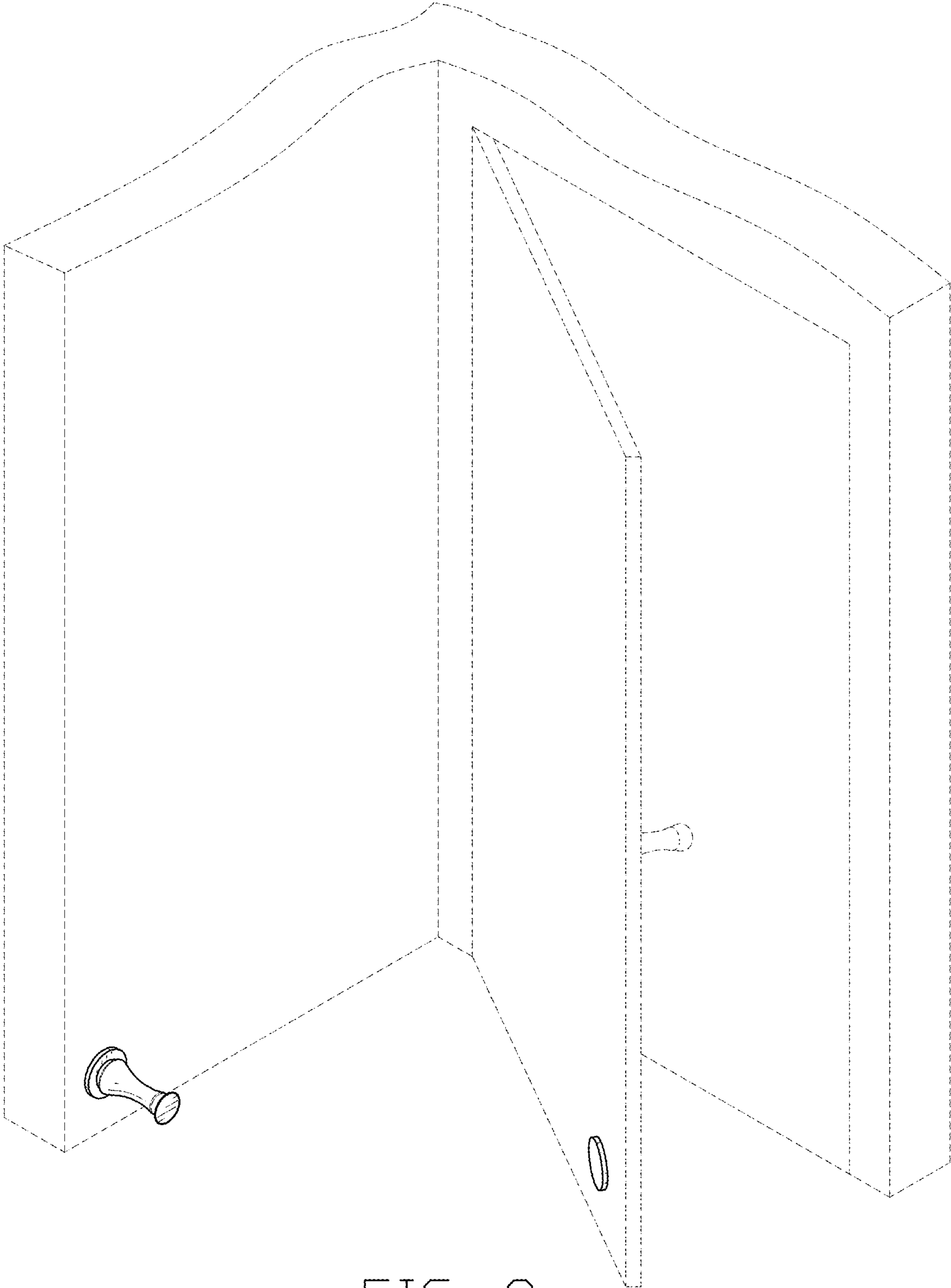


FIG. 9