



US00D885879S

(12) **United States Design Patent** (10) **Patent No.:** **US D885,879 S**
Huang (45) **Date of Patent:** **** Jun. 2, 2020**

(54) **FLAT TOP CONE LUG NUT COVER**

(71) Applicant: **Nan Huang Huang**, Rancho Palos Verdes, CA (US)

(72) Inventor: **Nan Huang Huang**, Rancho Palos Verdes, CA (US)

(73) Assignee: **Grand General Accessories Manufacturing**, Rancho-Dominguez, CA (US)

(**) Term: **15 Years**

(21) Appl. No.: **29/582,840**

(22) Filed: **Oct. 31, 2016**

(51) **LOC (12) Cl.** **08-08**

(52) **U.S. Cl.**

USPC **D8/397**; D12/213

(58) **Field of Classification Search**

USPC D8/387, 397, 399; D12/213

CPC F16B 37/00; F16B 37/14; F16B 37/145;

B60B 7/068; B60B 7/08; B27B 17/0025

See application file for complete search history.

(56) **References Cited**

U.S. PATENT DOCUMENTS

3,222,976	A *	12/1965	Holman	F16B 23/0061
					301/35.623
D273,614	S *	4/1984	Rolla	D24/106
5,810,532	A *	9/1998	Huang	F16B 37/14
					411/377
5,857,818	A *	1/1999	Bias, Sr.	F16B 37/14
					411/373
D439,213	S *	3/2001	Huang	D12/213
D720,208	S *	12/2014	Jordan	D8/397
D738,265	S *	9/2015	McNeeley	D12/118
D785,538	S *	5/2017	Jordan	D12/213
D786,057	S *	5/2017	Baiz	D8/397

D788,574	S *	6/2017	Baiz	D8/387
D792,206	S *	7/2017	Baiz	D8/397
D793,220	S *	8/2017	Baiz	D8/397
D801,167	S *	10/2017	Baiz	D8/397
D809,376	S *	2/2018	Huang	D8/397
D809,910	S *	2/2018	Vargas	D8/397
D821,861	S *	7/2018	Huang	D8/397
D821,862	S *	7/2018	Huang	D8/397
D828,151	S *	9/2018	Huang	D8/397
D828,152	S *	9/2018	Huang	D8/397
2013/0170923	A1 *	7/2013	Kuhm	F16B 37/08
					411/427
2017/0144478	A1 *	5/2017	Baiz	B60B 7/0013

* cited by examiner

Primary Examiner — Sandra S Snapp

Assistant Examiner — Ieisha N Price

(74) *Attorney, Agent, or Firm* — Thomas I. Rozsa

(57) **CLAIM**

The ornamental design for a flat top cone lug nut cover, as shown and described.

DESCRIPTION

FIG. 1 is a rear side perspective view of the flat top cone lug nut cover, showing my new design;

FIG. 2 is a front side perspective view thereof;

FIG. 3 is a front view thereof;

FIG. 4 is a rear view thereof;

FIG. 5 is a left side view thereof;

FIG. 6 is a right side view thereof;

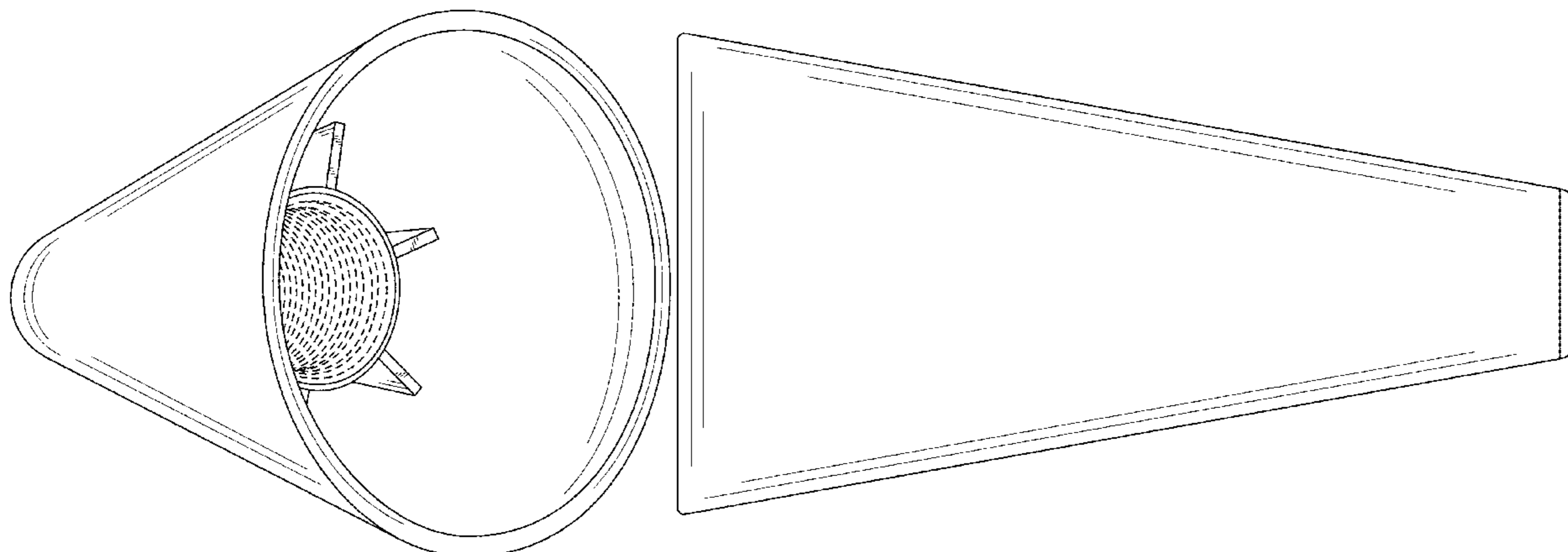
FIG. 7 is top view thereof; and,

FIG. 8 is a bottom view thereof.

The broken lines in the drawings illustrate portions of the flat top cone lug nut cover and form no part of the claimed design.

The dot-dot-dash broken lines rendered in FIG. 5 define the bounds of the claim and form no part thereof.

1 Claim, 8 Drawing Sheets



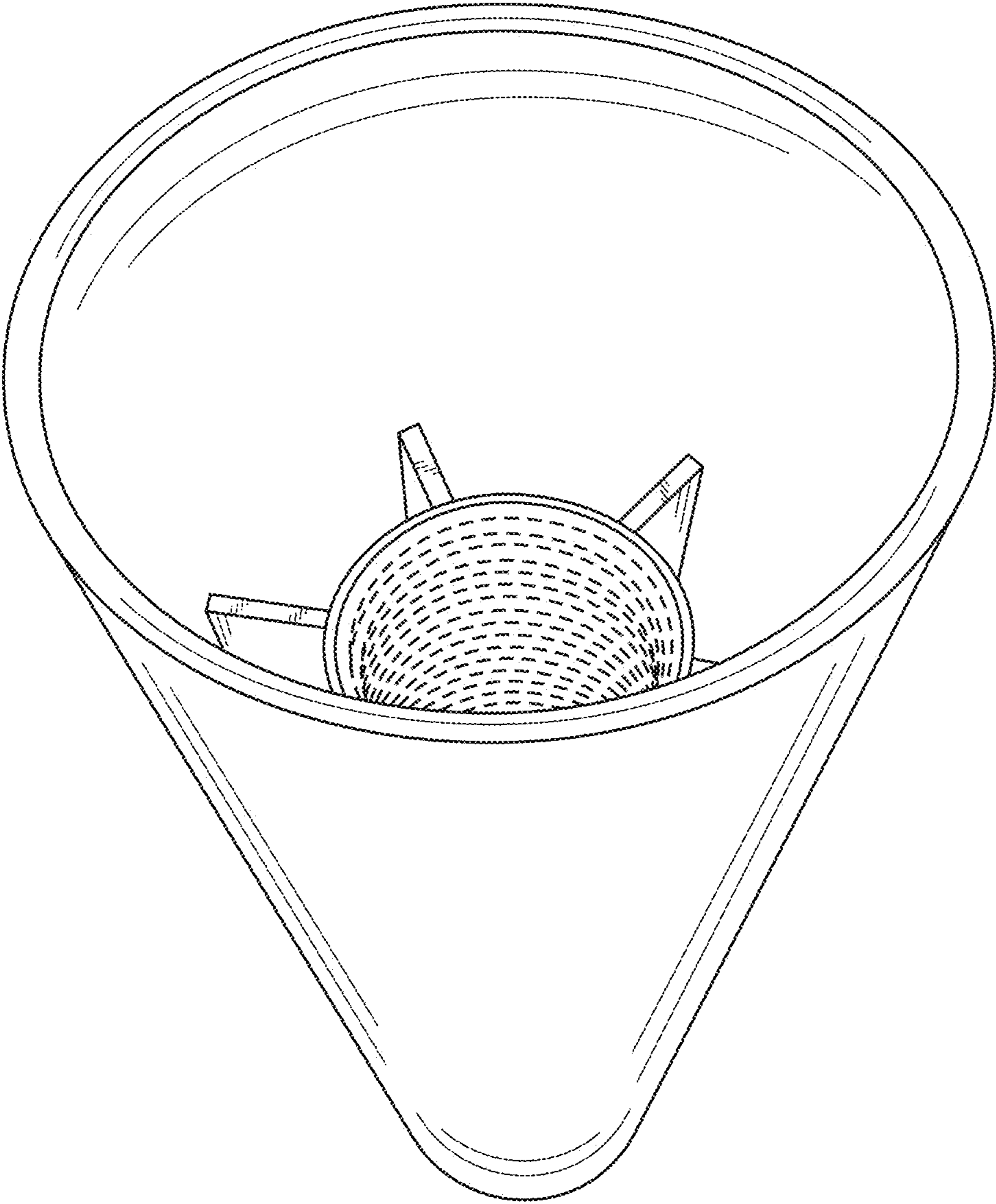


FIG. 1

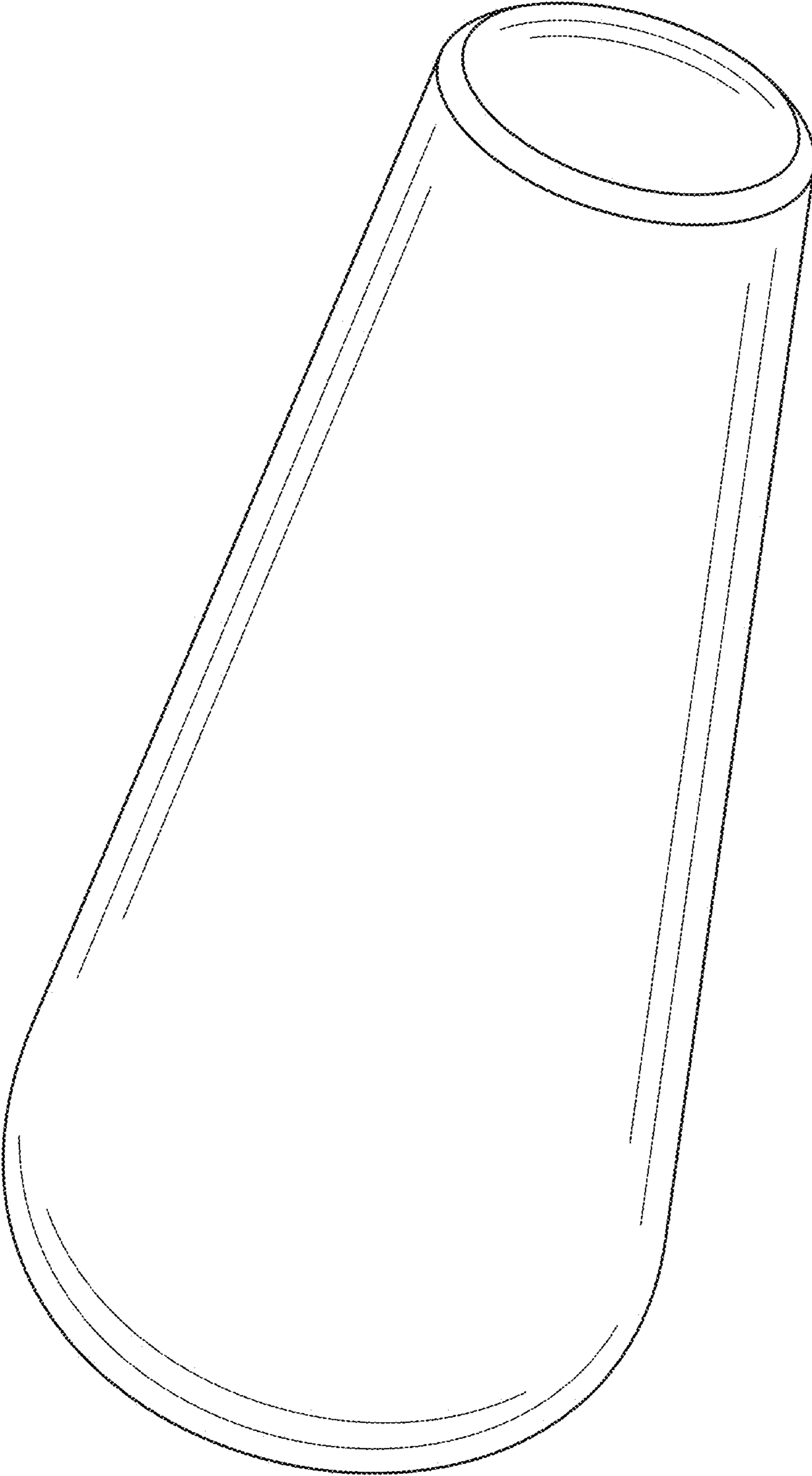


FIG. 2

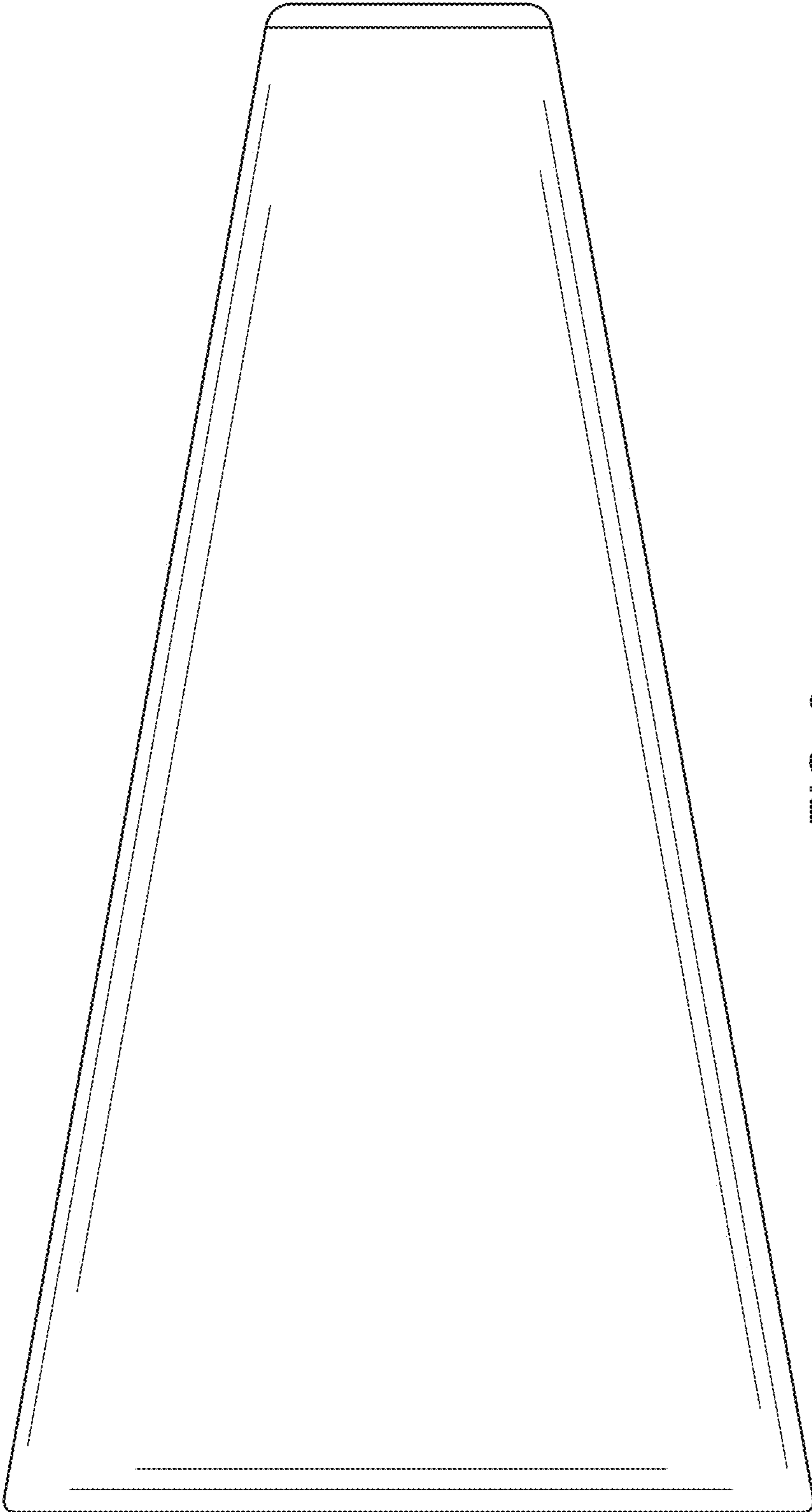


FIG. 3

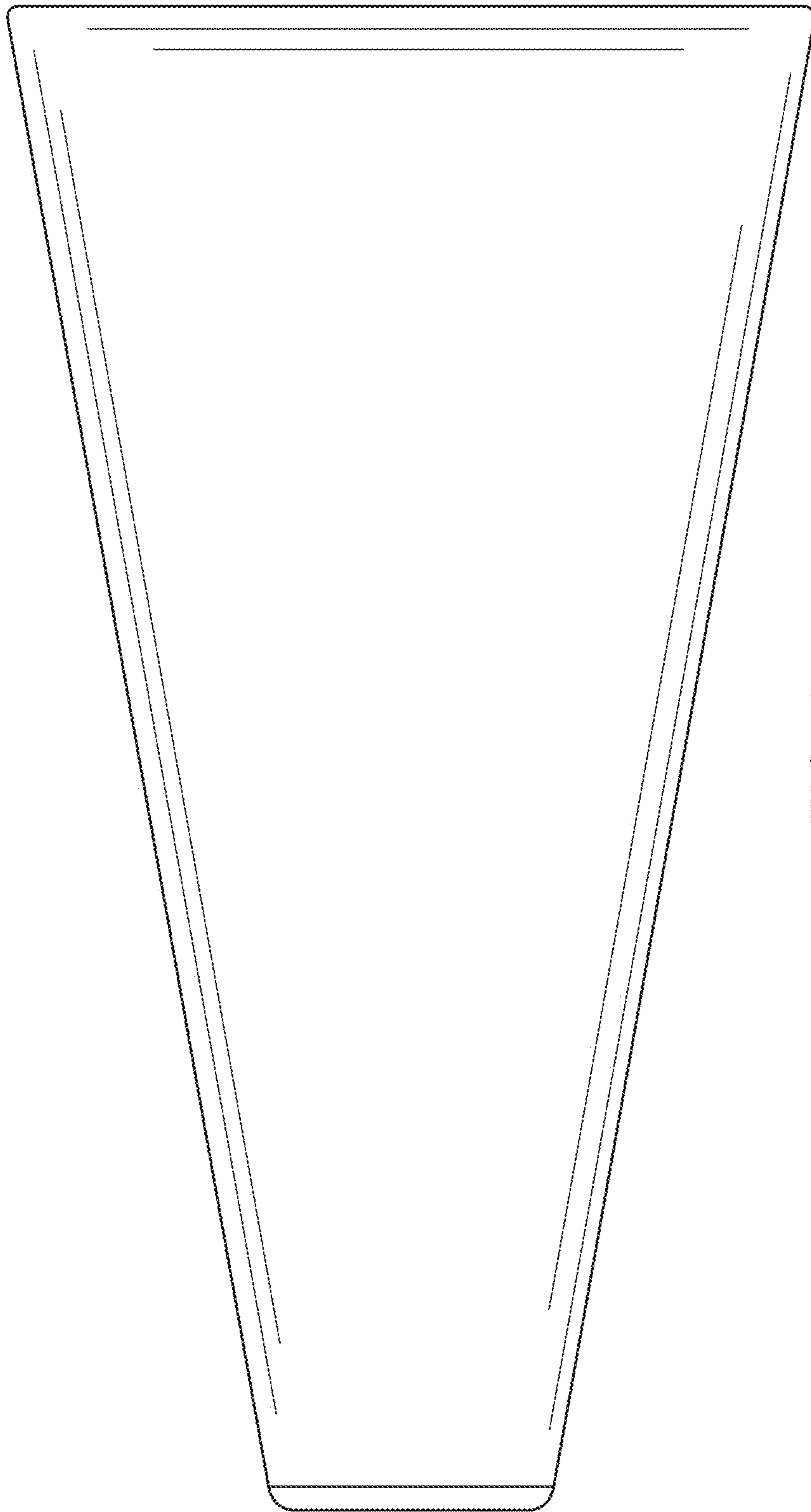


FIG. 4

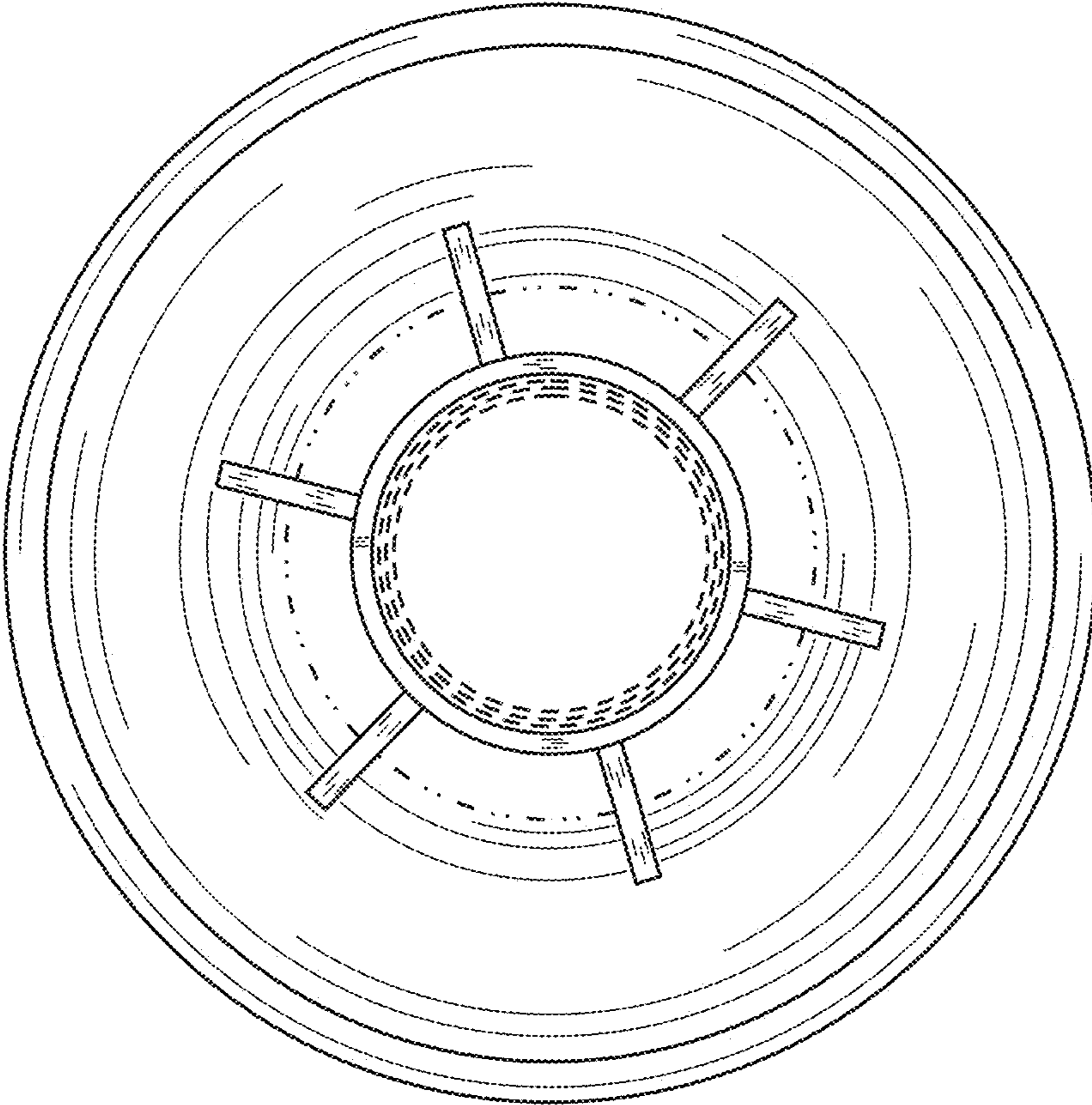


FIG. 5

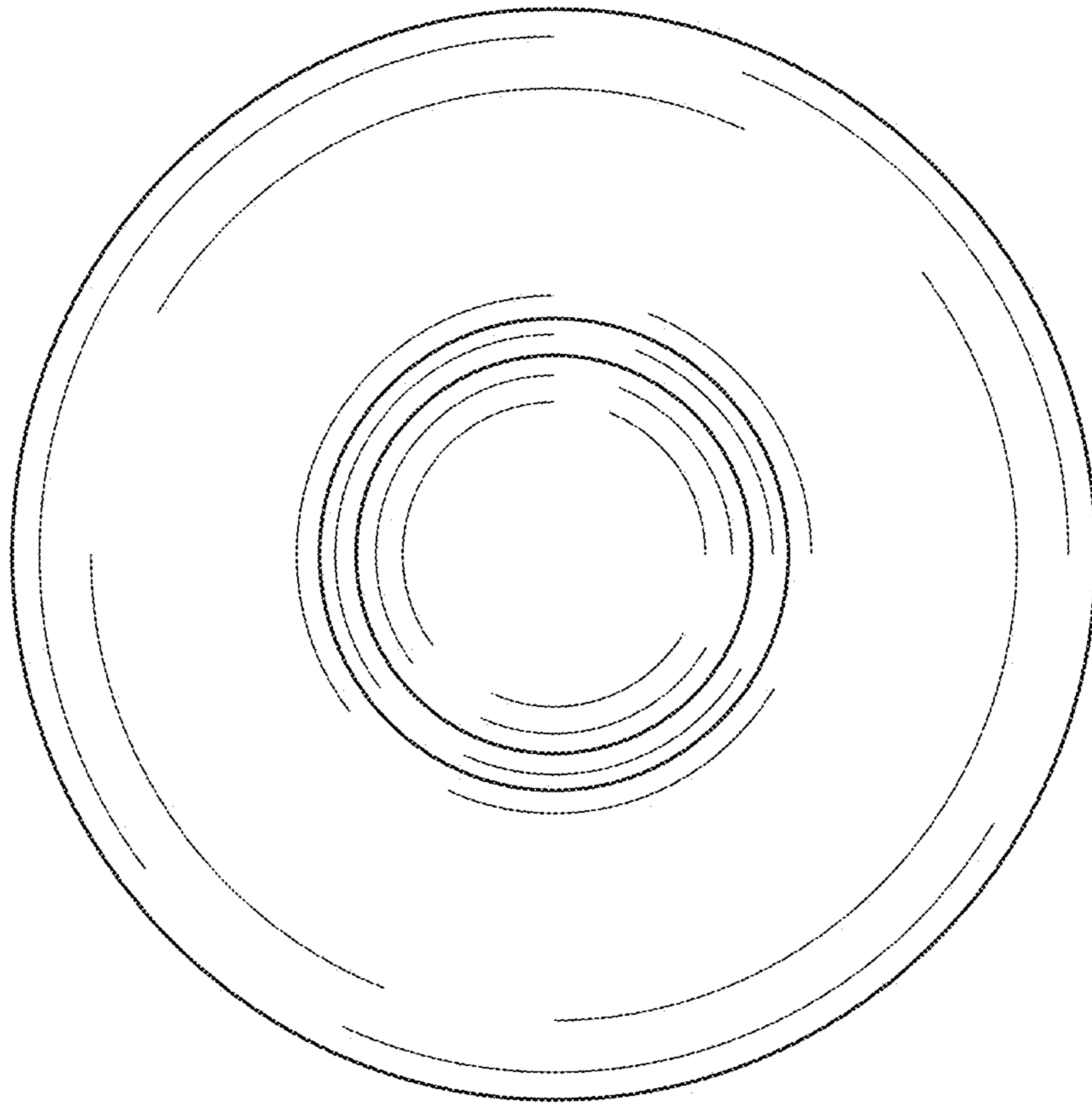


FIG. 6

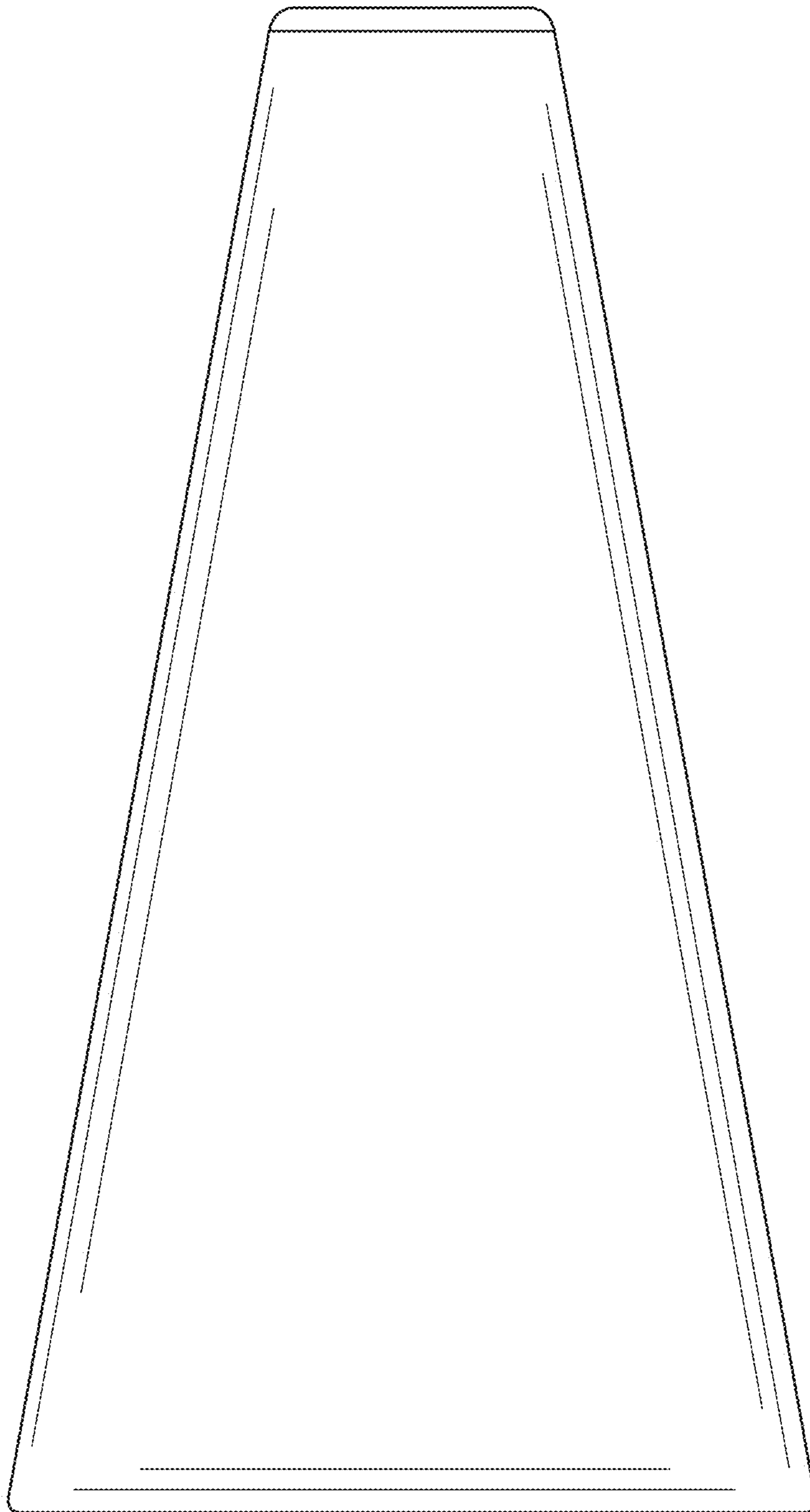


FIG. 7

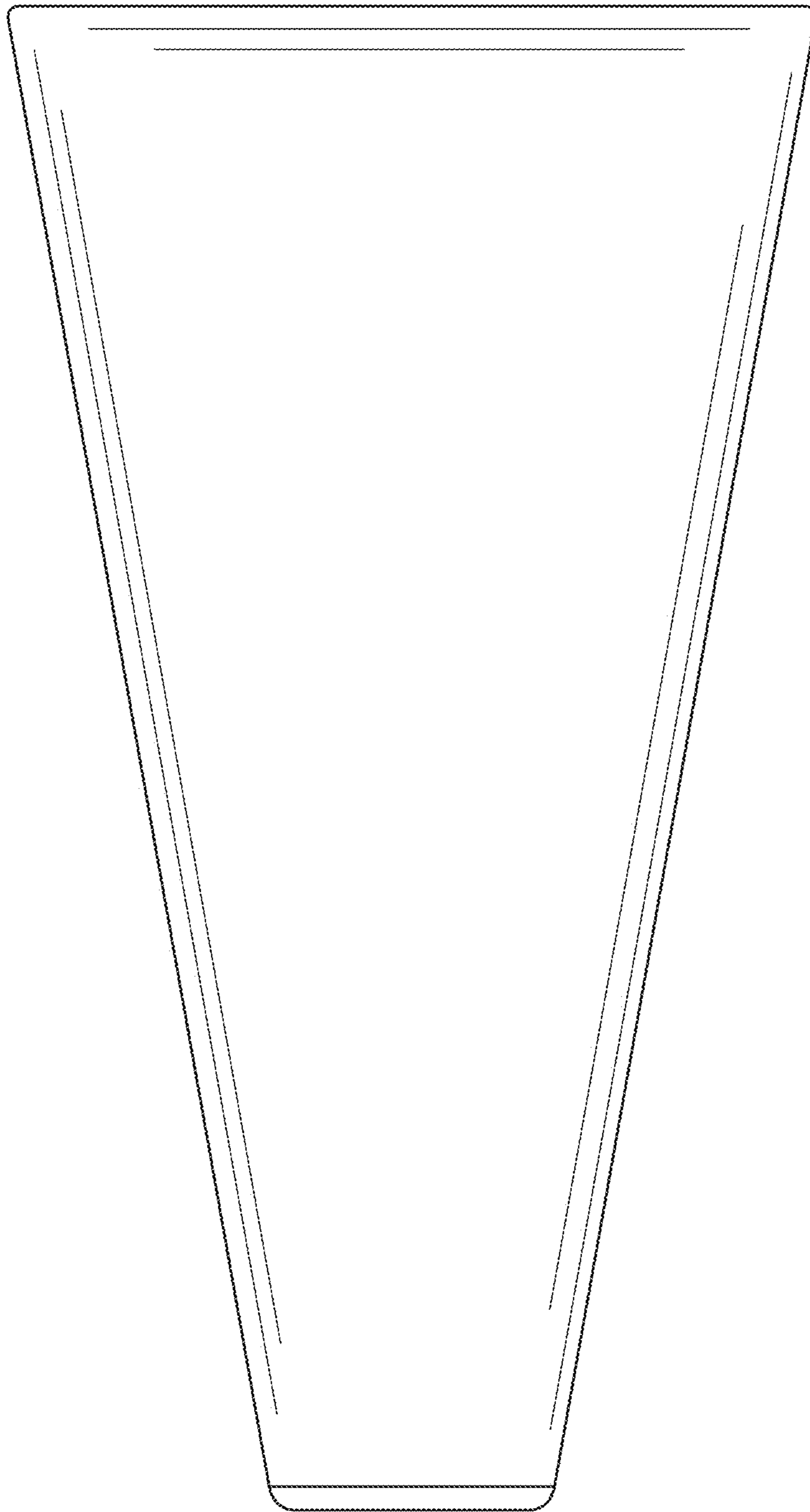


FIG. 8