



US00D885876S

(12) **United States Design Patent**  
**Strothmann et al.**

(10) **Patent No.:** **US D885,876 S**  
(45) **Date of Patent:** **\*\* Jun. 2, 2020**

- (54) **RETAINING CLIP**
- (71) Applicant: **Jennmar SanShell, LLC**, Pittsburgh, PA (US)
- (72) Inventors: **Kris Strothmann**, Dix, IL (US); **Bobby Reese**, Fayetteville, WV (US)
- (73) Assignee: **Jennmar SanShell, LLC**, Pittsburgh, PA (US)
- (\*\*) Term: **15 Years**
- (21) Appl. No.: **29/632,808**
- (22) Filed: **Jan. 10, 2018**
- (51) **LOC (12) Cl.** ..... **08-08**
- (52) **U.S. Cl.**  
USPC ..... **D8/395**
- (58) **Field of Classification Search**  
USPC ..... D8/71, 321, 330, 349, 354, 370, 382,  
D8/394, 395, 396, 499  
CPC ..... Y10T 24/1449; Y10T 24/1476; Y10T  
24/149; Y10T 24/1668; Y10T 24/1692;  
Y10T 24/2518; Y10T 24/392; Y10T  
24/3931; F16B 21/12; F16B 21/16; F16B  
2021/14  
See application file for complete search history.

- 2,845,291 A \* 7/1958 Priestman ..... F16B 2/248  
403/14
- D226,173 S \* 1/1973 Hermanson et al. .... D8/354
- 3,902,227 A \* 9/1975 Sherwood ..... B63B 21/08  
24/131 R
- D242,690 S \* 12/1976 Brown ..... D8/356
- D255,324 S \* 6/1980 Pierce ..... D8/354
- D258,138 S \* 2/1981 Wood ..... D8/370
- 4,298,299 A \* 11/1981 Quarles ..... F16B 21/12  
24/581.1
- 4,301,638 A \* 11/1981 Schmidgall ..... E04C 5/18  
52/677
- 4,408,428 A \* 10/1983 Brooke ..... E04B 9/242  
52/506.07
- 4,759,103 A \* 7/1988 Henderson ..... F16G 11/046  
24/131 R
- D306,739 S \* 3/1990 Mackiewich ..... D3/266
- D312,035 S \* 11/1990 Carlson ..... D8/349

(Continued)

*Primary Examiner* — Steven J Czyz  
(74) *Attorney, Agent, or Firm* — The Webb Law Firm

(57) **CLAIM**

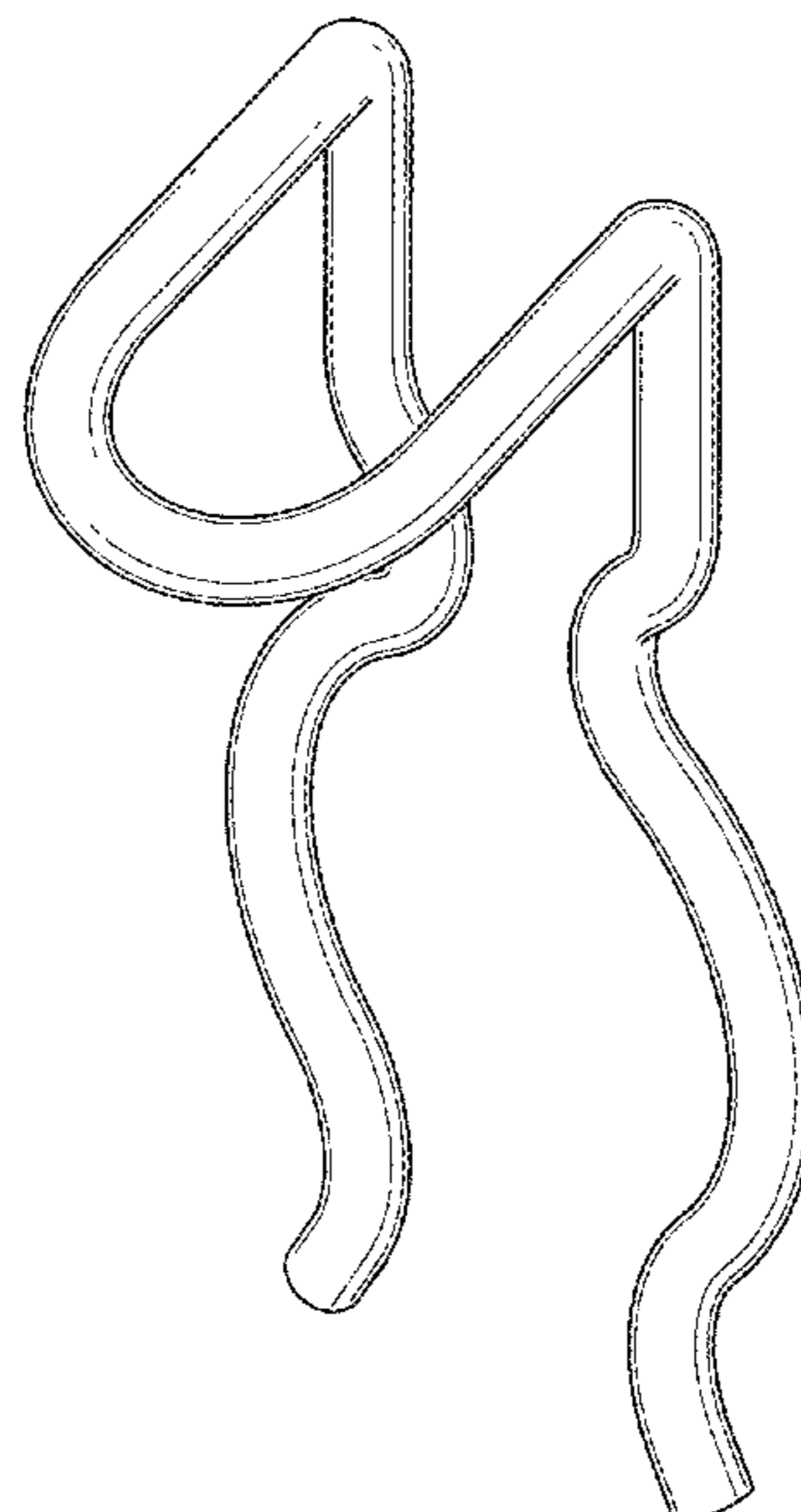
The ornamental design for a retaining clip, as shown and described.

**DESCRIPTION**

FIG. 1 is a perspective view of a retaining clip showing our new design;  
FIG. 2 is a right view thereof;  
FIG. 3 is a left view thereof;  
FIG. 4 is a rear view thereof;  
FIG. 5 is a front view thereof;  
FIG. 6 is a top view thereof;  
FIG. 7 is a bottom view thereof; and,  
FIG. 8 is a perspective view of the retaining clip shown in FIG. 1, showing the retaining clip secured to a drill bit.  
The broken lines shown in FIG. 8 are environmental only and not part of the claimed design.

**1 Claim, 7 Drawing Sheets**

- (56) **References Cited**  
U.S. PATENT DOCUMENTS
- 1,372,628 A \* 3/1921 Mueller ..... F16L 41/10  
285/23
- 1,454,254 A \* 5/1923 Roney ..... E04H 17/10  
256/57
- 1,788,180 A \* 1/1931 White ..... E04O 5/201  
52/677
- 2,056,215 A \* 10/1936 Smith ..... B42F 1/08  
24/547
- 2,548,355 A \* 4/1951 Dolejs, Sr. .... A01K 93/00  
43/44.95



(56)

References Cited

U.S. PATENT DOCUMENTS

4,989,388 A \* 2/1991 Schmidgall ..... E04C 5/168  
52/649.8  
D322,388 S \* 12/1991 Hoskinson ..... D8/367  
5,402,555 A \* 4/1995 Boland ..... F16G 11/046  
24/129 C  
5,662,446 A \* 9/1997 Haan ..... F16B 21/125  
411/514  
5,704,100 A \* 1/1998 Swan ..... F16B 21/186  
24/546  
D392,872 S \* 3/1998 St-Louis ..... D8/330  
D422,889 S \* 4/2000 Gray ..... D8/370  
D434,308 S \* 11/2000 Kalat ..... D8/395  
6,170,360 B1 \* 1/2001 Smith ..... B25B 25/005  
29/243.56  
6,246,589 B1 \* 6/2001 August, Jr. .... H05K 3/301  
24/548  
D459,079 S \* 6/2002 Kim ..... D3/318  
6,499,514 B1 \* 12/2002 Hodge, Sr. .... B25B 31/00  
140/52  
D566,538 S \* 4/2008 Wrase ..... D8/395  
D582,258 S \* 12/2008 Ripley ..... D8/354  
D650,577 S \* 12/2011 Glander ..... D3/228  
D655,986 S \* 3/2012 Schneider ..... D6/566

D661,978 S \* 6/2012 Holechek ..... D8/370  
D669,767 S \* 10/2012 Burley ..... D8/370  
D699,556 S \* 2/2014 Hendricks ..... D8/354  
D704,527 S \* 5/2014 Liu ..... D8/330  
D706,124 S \* 6/2014 Banasik ..... D8/370  
D706,617 S \* 6/2014 Hendricks ..... D8/354  
D710,680 S \* 8/2014 Chen ..... D8/370  
D714,542 S \* 10/2014 Barragan ..... D3/228  
D727,713 S \* 4/2015 Greene ..... D30/119  
D737,108 S \* 8/2015 Kallergis ..... D8/370  
D737,648 S \* 9/2015 Kallergis ..... D8/370  
D739,720 S \* 9/2015 Van Riper ..... D8/394  
D751,370 S \* 3/2016 McClees ..... D12/416  
D752,414 S \* 3/2016 Brooks ..... D8/349  
D753,988 S \* 4/2016 Jiang ..... D8/370  
D760,866 S \* 7/2016 Monteleone ..... D22/134  
D796,307 S \* 9/2017 Smith ..... D8/394  
D800,537 S \* 10/2017 Harris ..... D8/354  
D812,712 S \* 3/2018 Stark ..... D22/134  
D838,163 S \* 1/2019 Sims ..... D8/370  
D839,492 S \* 1/2019 Cantwell ..... D30/119  
D839,493 S \* 1/2019 Cantwell ..... D30/119  
10,428,988 B2 \* 10/2019 Leonhardt ..... F16B 2/248  
2006/0147297 A1 \* 7/2006 Wrase ..... F16B 21/12  
411/513

\* cited by examiner

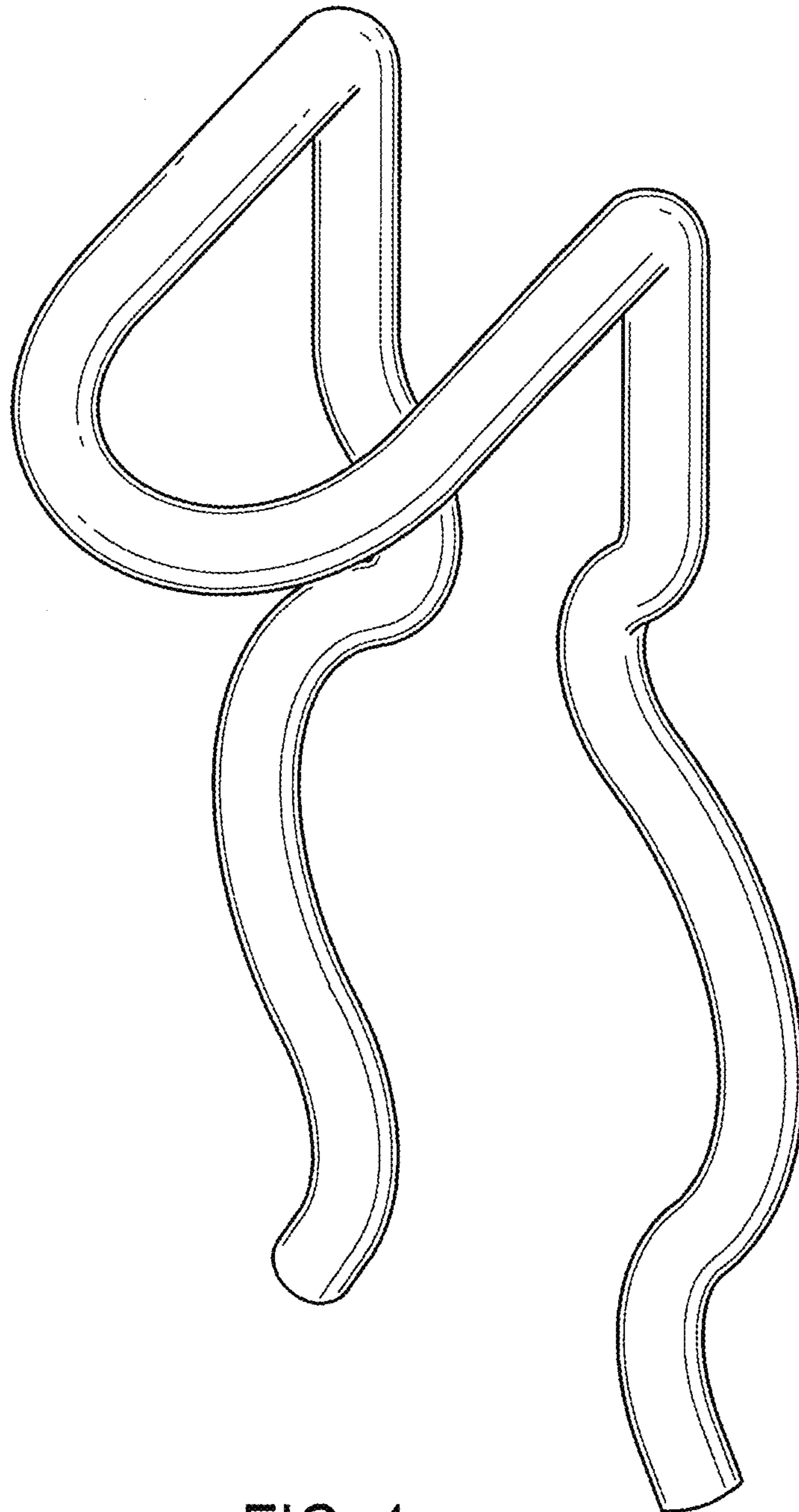


FIG. 1

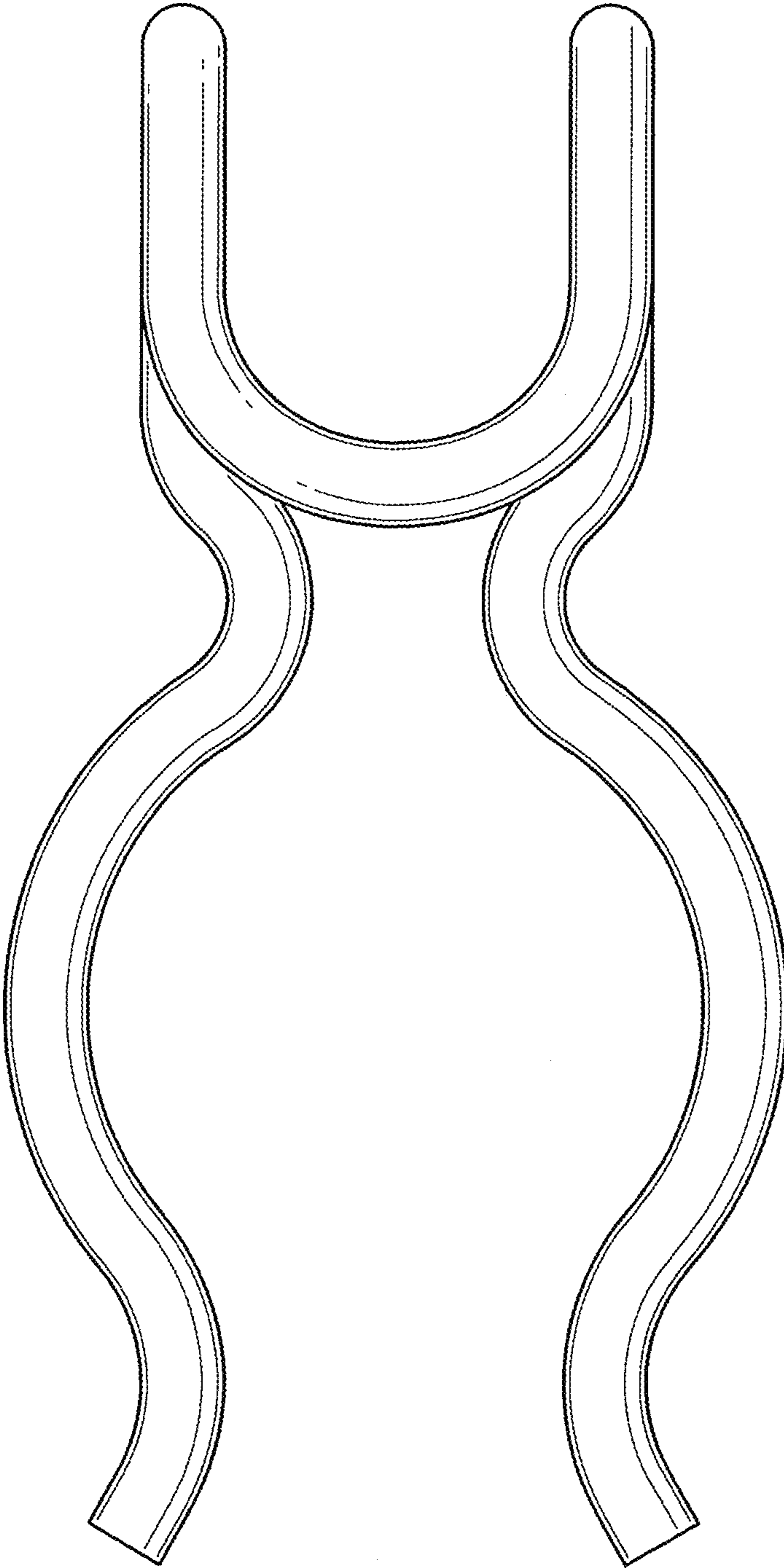


FIG. 2

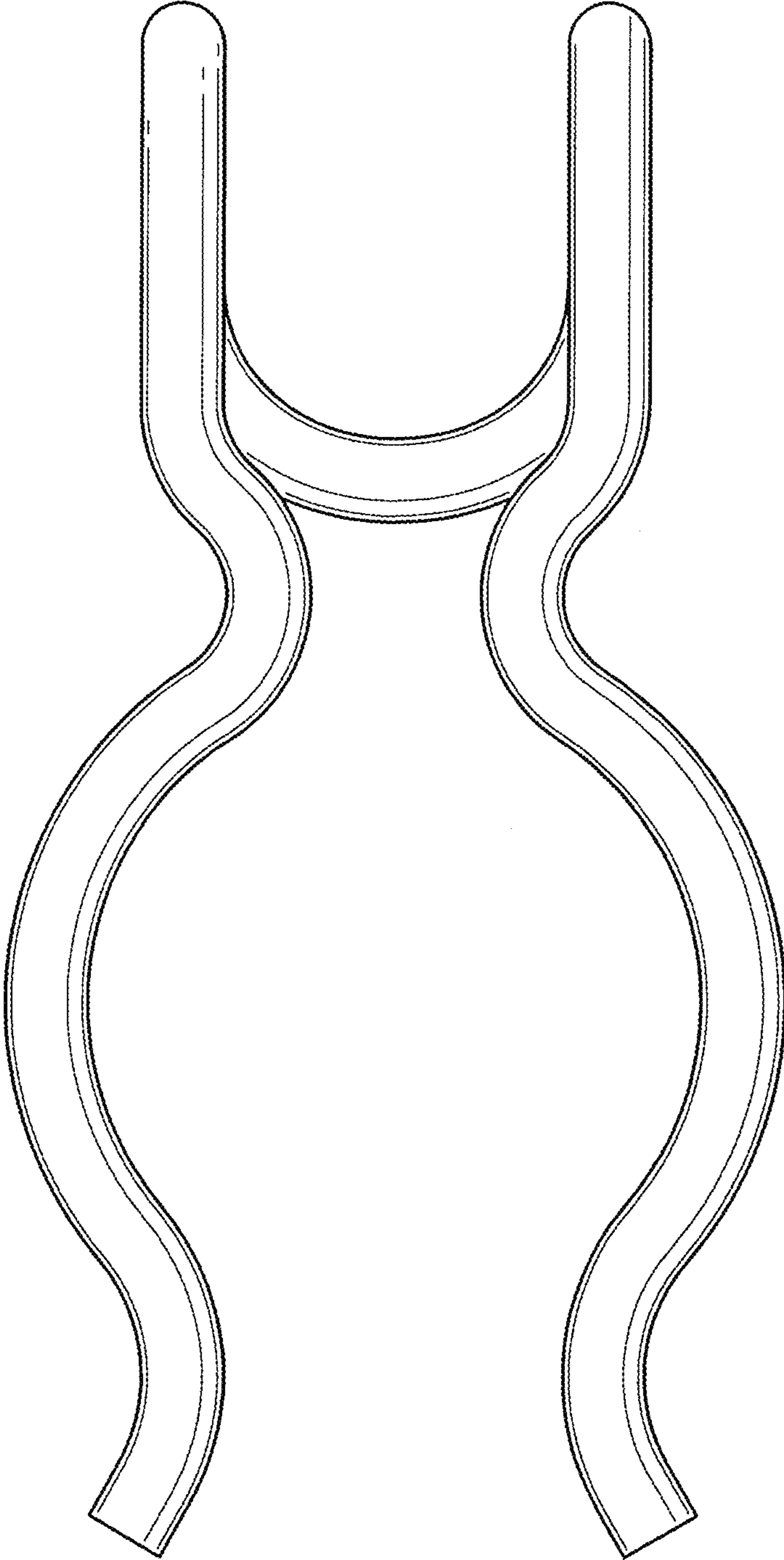


FIG. 3

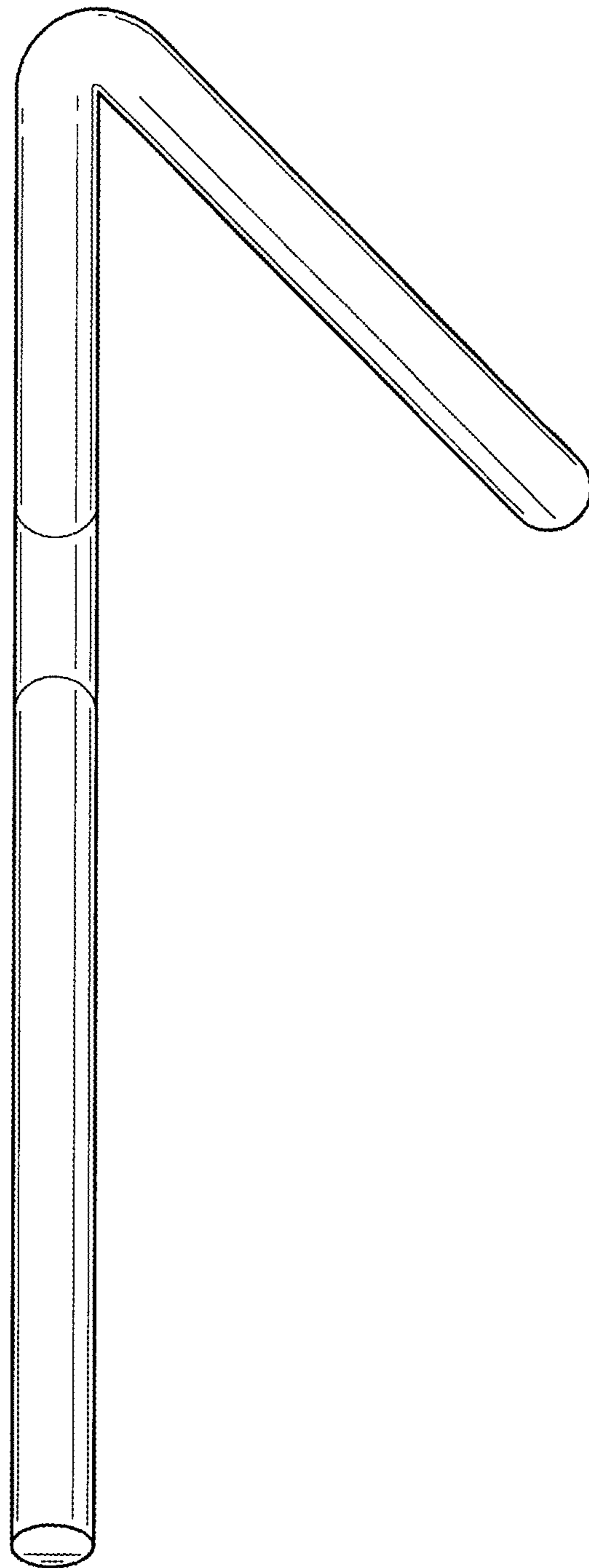


FIG. 4

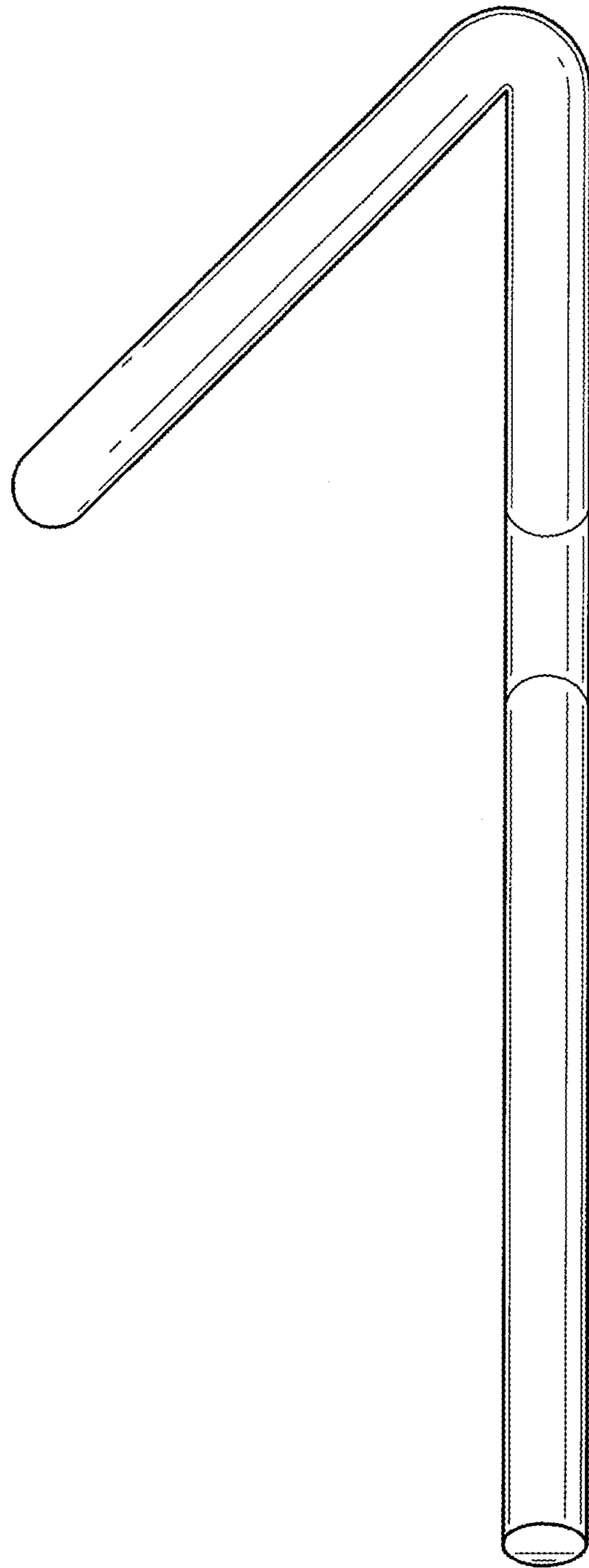


FIG. 5

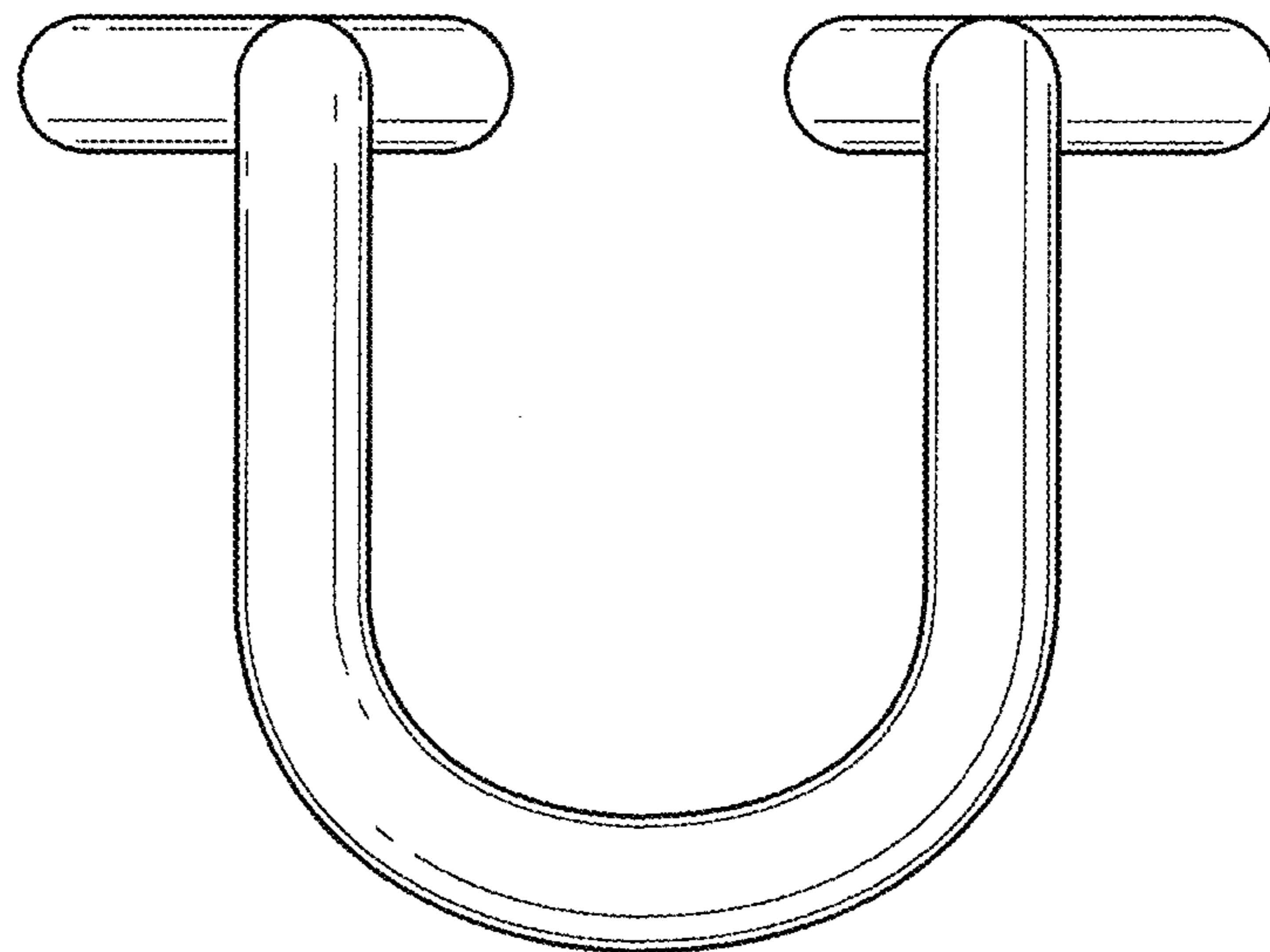


FIG. 6

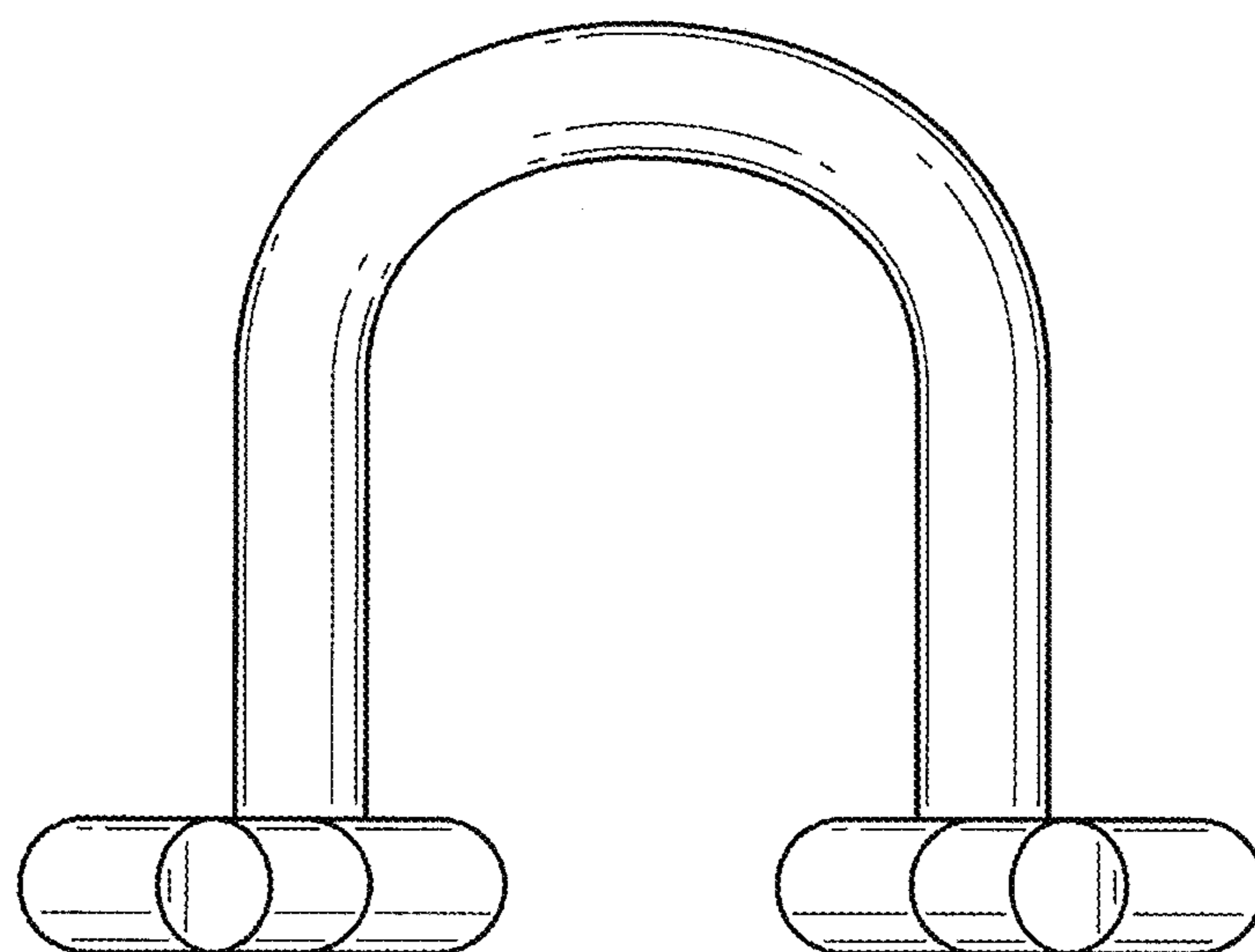


FIG. 7



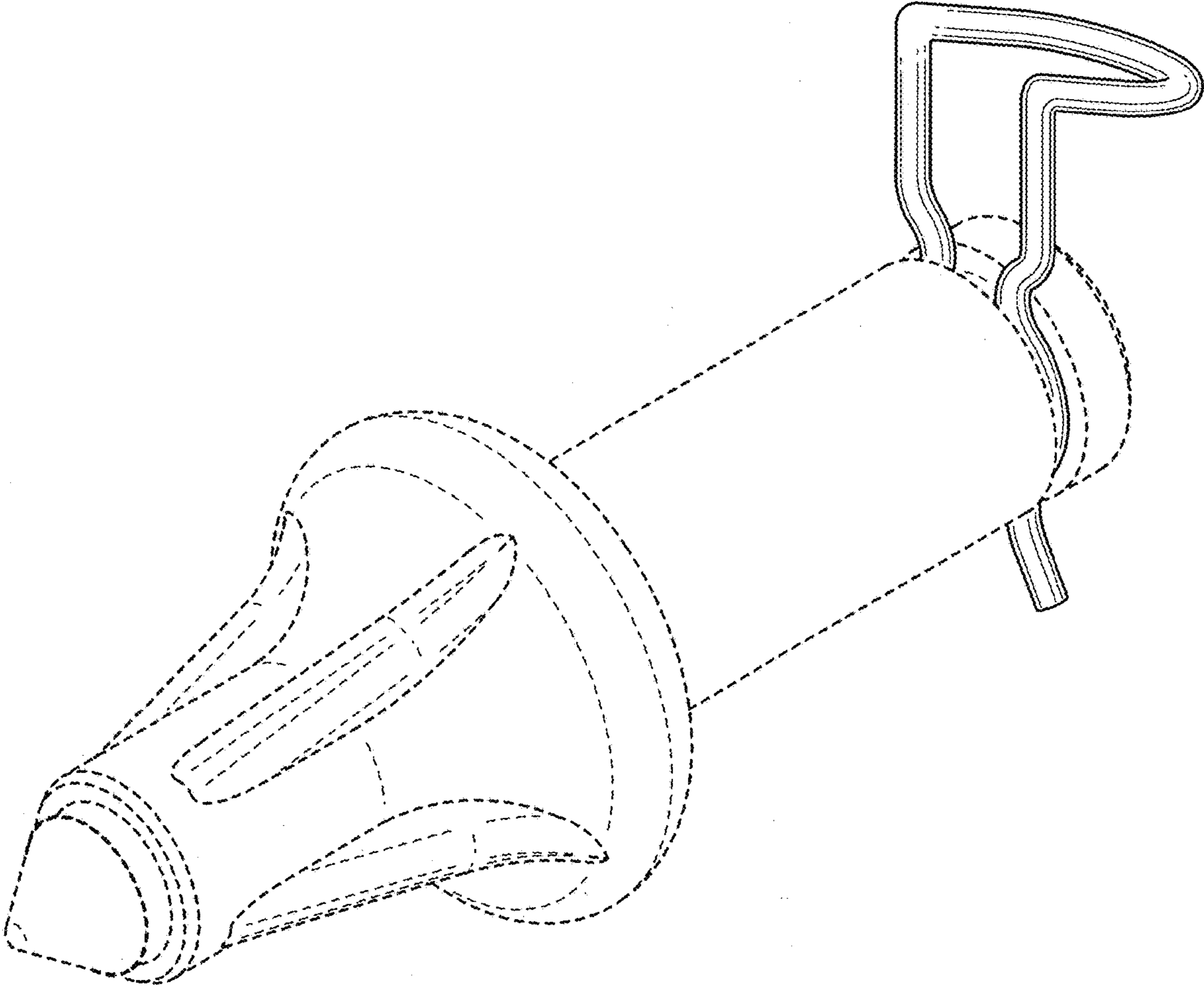


FIG. 8