



US00D885875S

(12) **United States Design Patent**
Ryszawy

(10) **Patent No.:** **US D885,875 S**
(45) **Date of Patent:** **** Jun. 2, 2020**

(54) **BAG CLIP FOR BRINGING THE EDGES OF THICK, INFLEXIBLE BAGS TOGETHER**

(71) Applicant: **Edyta Ryszawy**, Buffalo Grove, IL (US)

(72) Inventor: **Edyta Ryszawy**, Buffalo Grove, IL (US)

(**) Term: **15 Years**

(21) Appl. No.: **29/609,652**

(22) Filed: **Jul. 3, 2017**

(51) **LOC (12) Cl.** **08-08**

(52) **U.S. Cl.**
USPC **D8/394**

(58) **Field of Classification Search**
USPC D7/387, 511, 708.1, 683, 686, 687;
D8/72, 349, 383, 394, 395, 499; D9/705,
D9/720, 434, 435; D19/75, 86
CPC B65D 77/14; B65D 33/16; B65D 33/1658;
B65D 77/12; B65D 2543/00046
See application file for complete search history.

(56) **References Cited**

U.S. PATENT DOCUMENTS

- 1,468,718 A * 9/1923 Kneeland A47J 43/283
15/210.1
- 1,621,008 A * 3/1927 Fricker B42F 1/06
132/284
- D135,112 S * 2/1943 Jamison et al. D8/394
- D135,629 S * 5/1943 Michael et al. D8/394
- D218,511 S * 8/1970 Sarro et al. D19/34
- 3,633,251 A * 1/1972 Gass A47H 13/16
160/348
- 3,707,271 A * 12/1972 Sanchez B65B 7/02
248/101
- 4,012,068 A * 3/1977 Apodaca B25B 9/02
294/33
- 4,428,098 A * 1/1984 Coker B65D 33/1675
24/30.5 R

- 4,656,697 A * 4/1987 Naslund B65D 33/1675
24/30.5 P
- D299,008 S * 12/1988 Naslund D8/395
- D312,773 S * 12/1990 Salinas D16/336
- D317,571 S * 6/1991 Henriksson D8/394
- D329,373 S * 9/1992 Kaga D8/356
- D341,050 S * 11/1993 Waffensmith D6/541
- D345,086 S * 3/1994 Shapiro 294/99.2
- D350,696 S * 9/1994 Naslund D9/434

(Continued)

Primary Examiner — Steven J Czyz

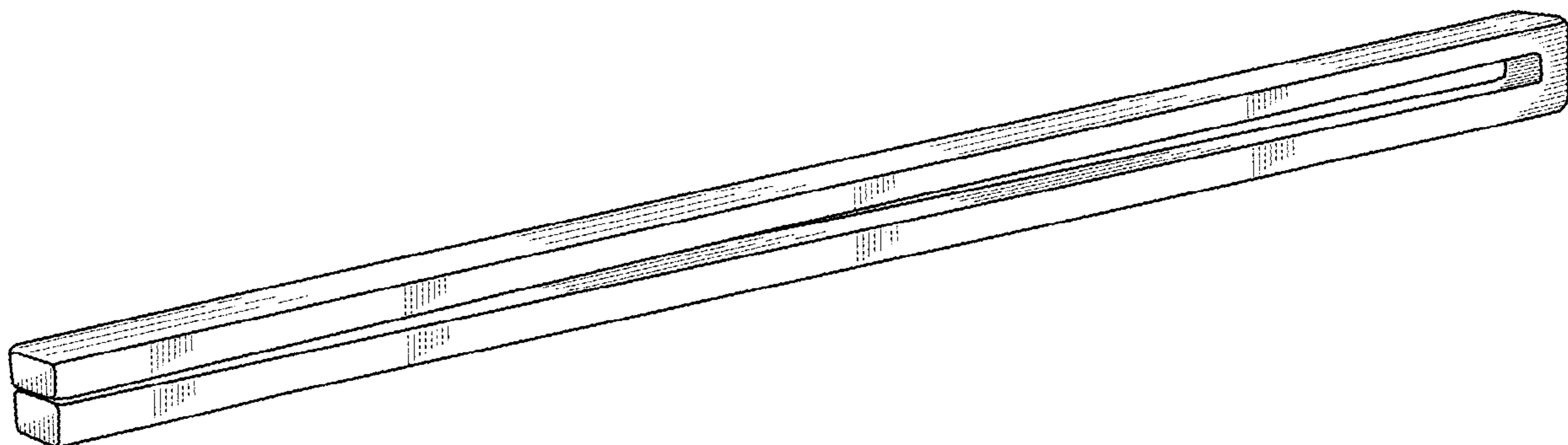
(57) **CLAIM**

The ornamental design for a bag clip for bringing the edges of thick, inflexible bags together, as shown and described.

DESCRIPTION

FIG. 1 is a top, front and left-side perspective view of a bag clip for bringing the edges of thick, inflexible bags together showing my new design;
 FIG. 2 is a front elevational view thereof;
 FIG. 3 is a rear elevational view thereof;
 FIG. 4 is a top plan view thereof, a bottom plan view being identical thereof;
 FIG. 5 is a right-side elevational view thereof;
 FIG. 6 is a left-side elevational view thereof;
 FIG. 7 is a bottom, rear and right-side perspective view thereof;
 FIG. 8 is an alternate bottom, front and right-side perspective view thereof showing the bag clip in use;
 FIG. 9 is an alternate front elevational view thereof showing the bag clip in use;
 FIG. 10 is an alternate front elevational view thereof showing the bag clip in use; and,
 FIG. 11 is an alternate front elevational view thereof showing the bag clip in use.
 The broken lines depict environment that forms no part of the claimed design.

1 Claim, 11 Drawing Sheets



(56)

References Cited

U.S. PATENT DOCUMENTS

D356,001	S *	3/1995	Yarnmunilert	D6/541
D375,045	S *	10/1996	Weber	D9/434
D384,459	S *	9/1997	Eisenman	D28/39
D394,454	S *	5/1998	Williams	D19/34
D425,126	S *	5/2000	Holguin	D19/65
D458,808	S *	6/2002	Rittenhouse	D7/642
D474,968	S *	5/2003	Hicks	D9/435
D482,968	S *	12/2003	Henriksson	D9/435
D484,035	S *	12/2003	Smith-Kielland	248/68.1
D502,872	S *	3/2005	Fleming	D9/434
D510,019	S *	9/2005	Davis	D34/10
D542,607	S *	5/2007	Huber	D7/686
D564,352	S *	3/2008	Rice	D9/434
D566,539	S *	4/2008	Hicks	D8/395
D606,860	S *	12/2009	Hill	D9/434
D625,174	S *	10/2010	Karekar	D8/394
7,954,870	B2 *	6/2011	Chen	B25B 9/02 294/99.2
D642,913	S *	8/2011	Osborn	D9/434
D686,910	S *	7/2013	Towell, Jr.	D8/395
D707,545	S *	6/2014	Schopf	D8/394
D724,429	S *	3/2015	Weber, Sr.	D9/434
D736,610	S *	8/2015	Rey	D8/394
D740,110	S *	10/2015	Luoma	D8/394
9,242,766	B2 *	1/2016	Ruddell	B65D 33/00
D781,693	S *	3/2017	Roan	D8/394
D787,925	S *	5/2017	Moerer	D11/208
D834,933	S *	12/2018	Pi	D8/395

* cited by examiner

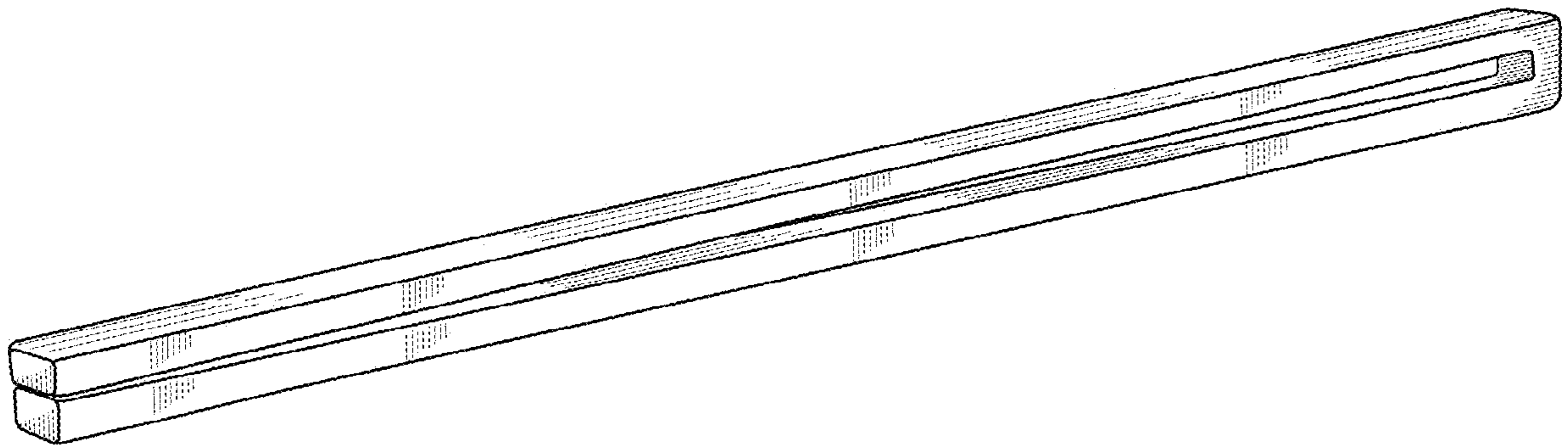


FIG. 1

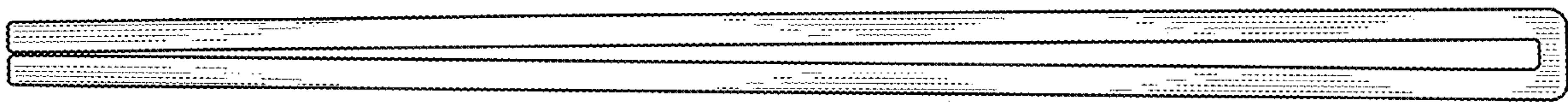


FIG. 2

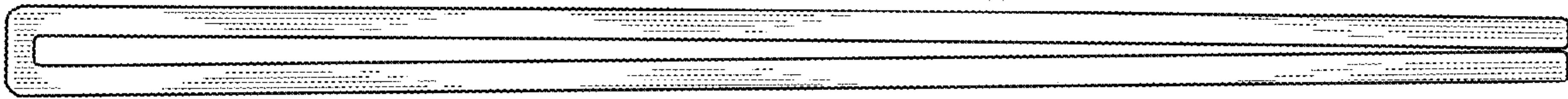


FIG. 3



FIG. 4

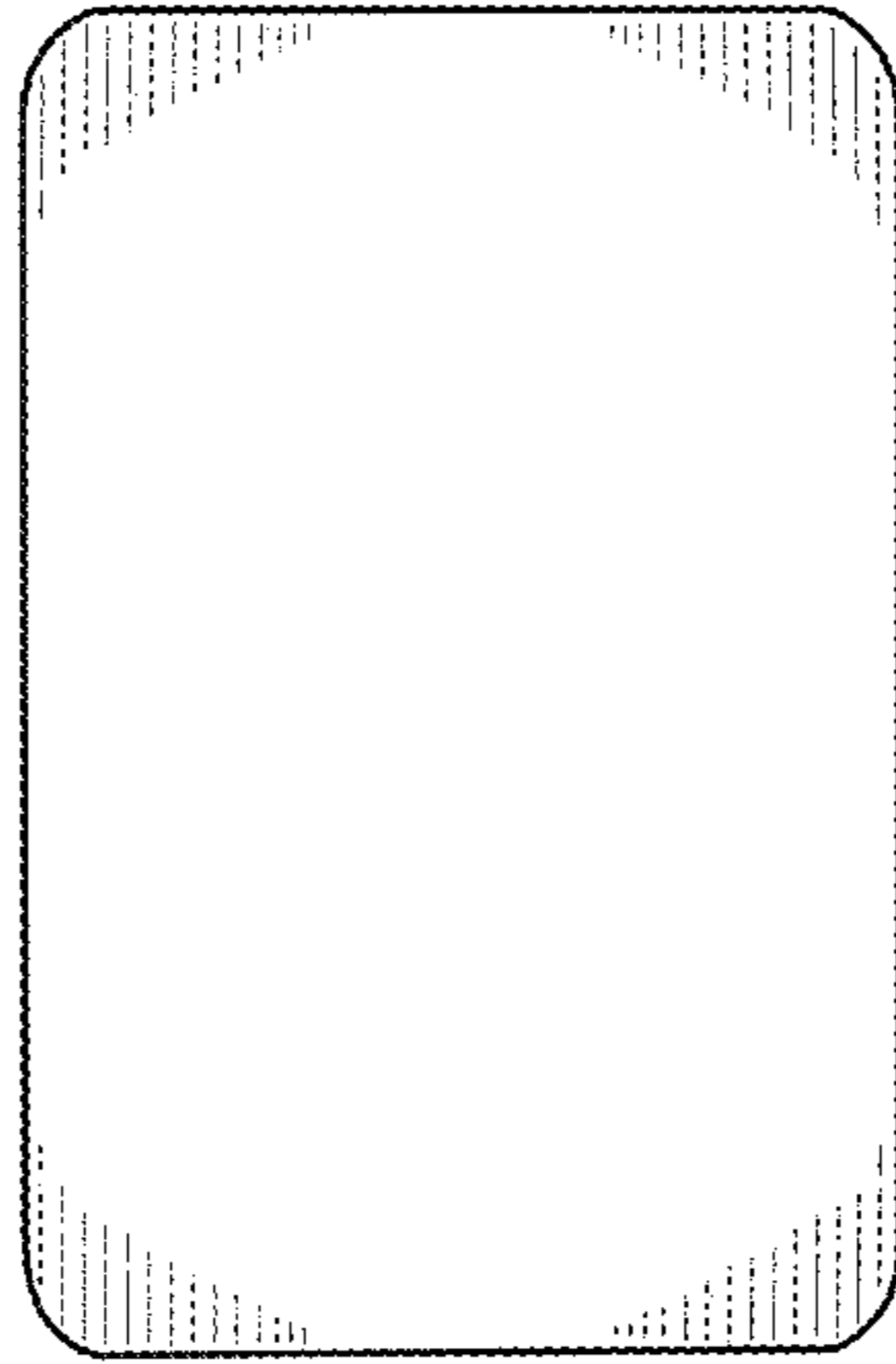


FIG. 5

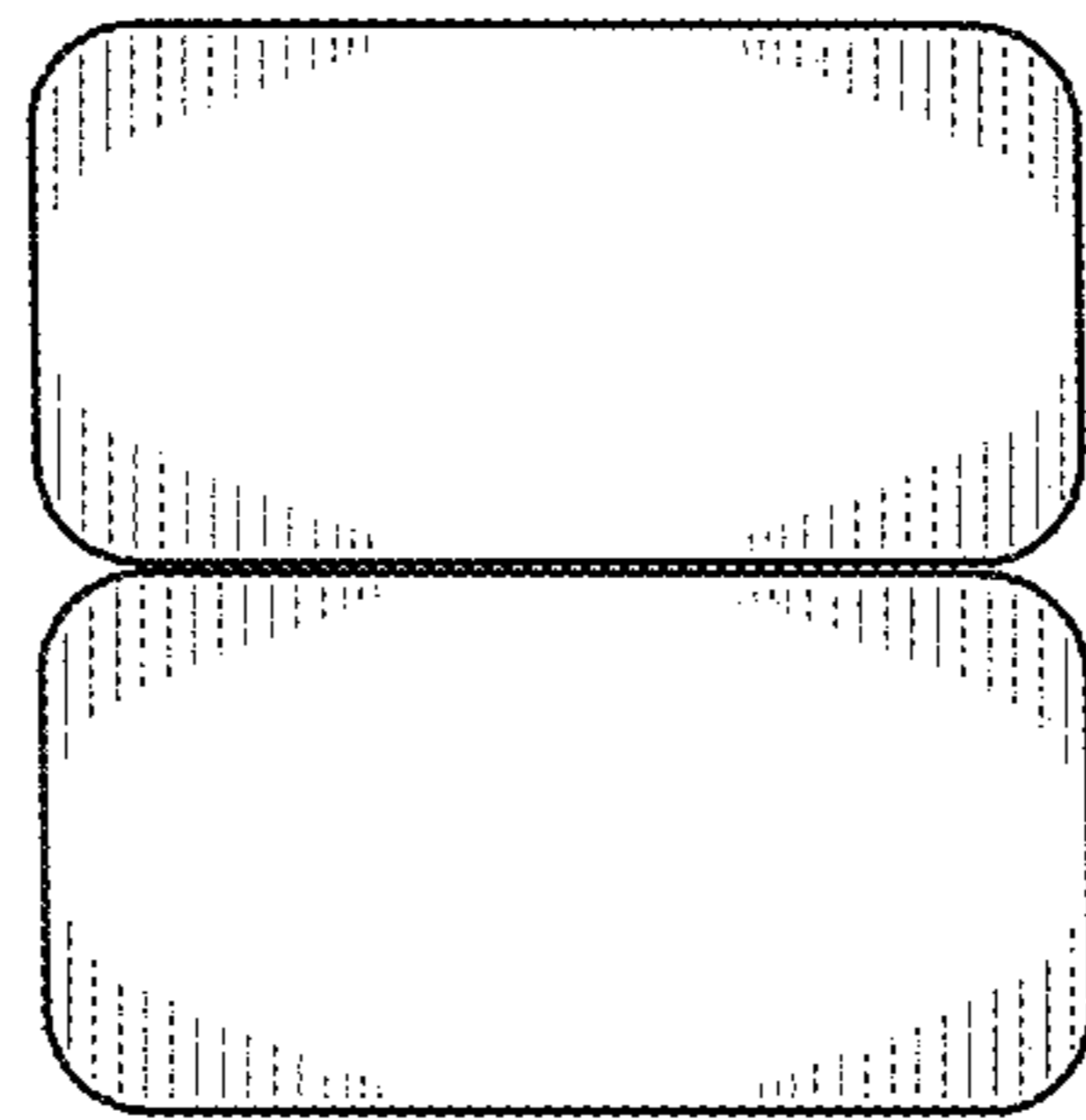


FIG. 6

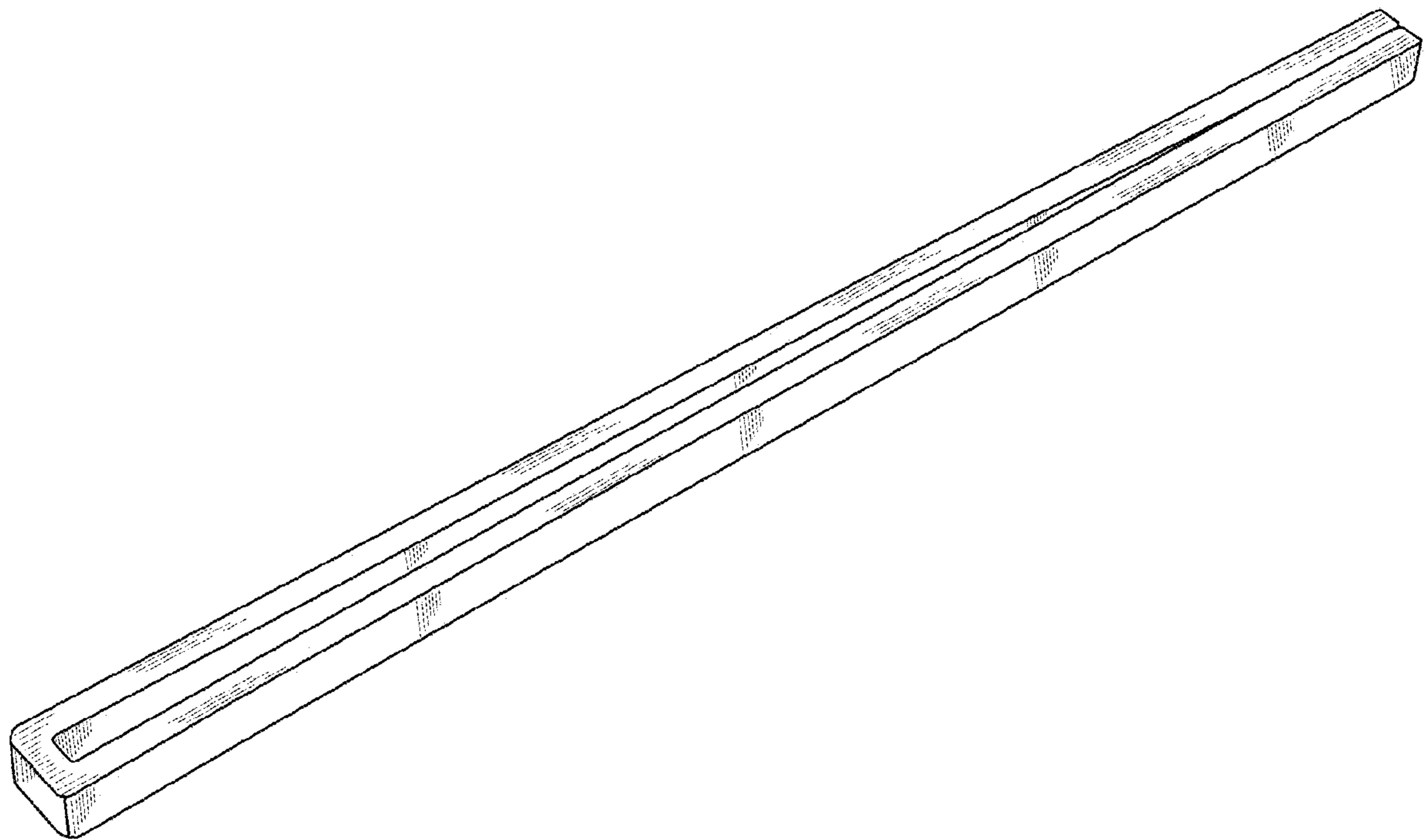


FIG. 7

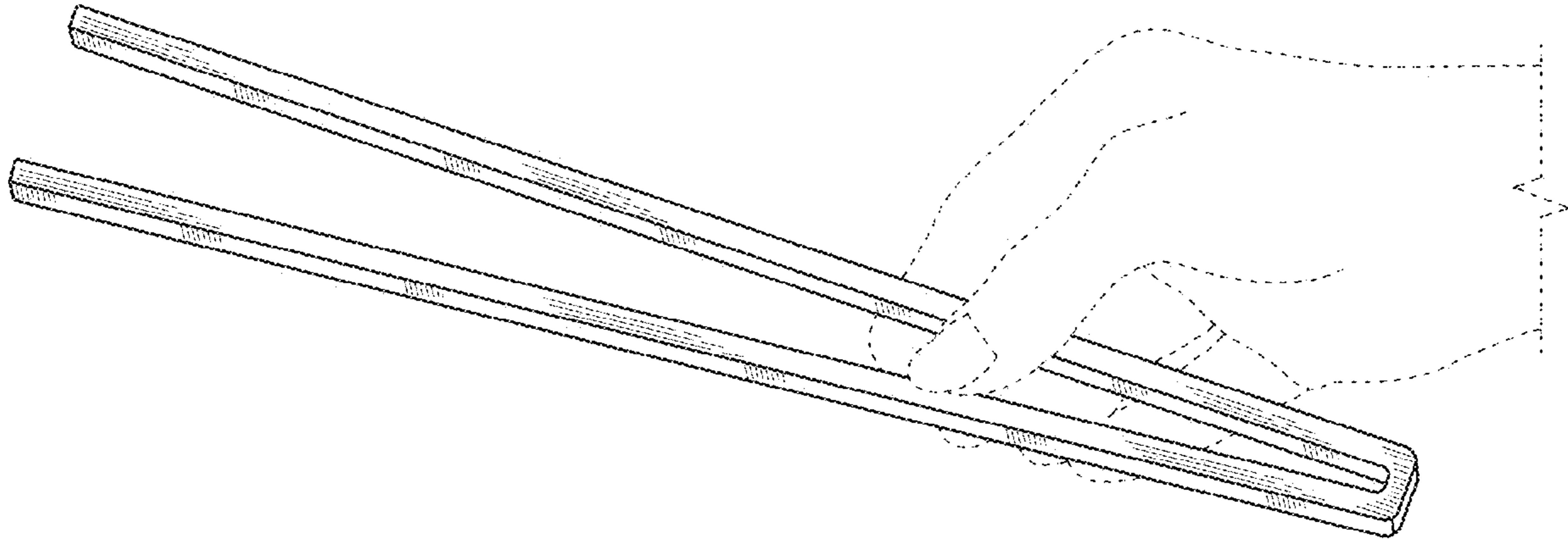


FIG. 8

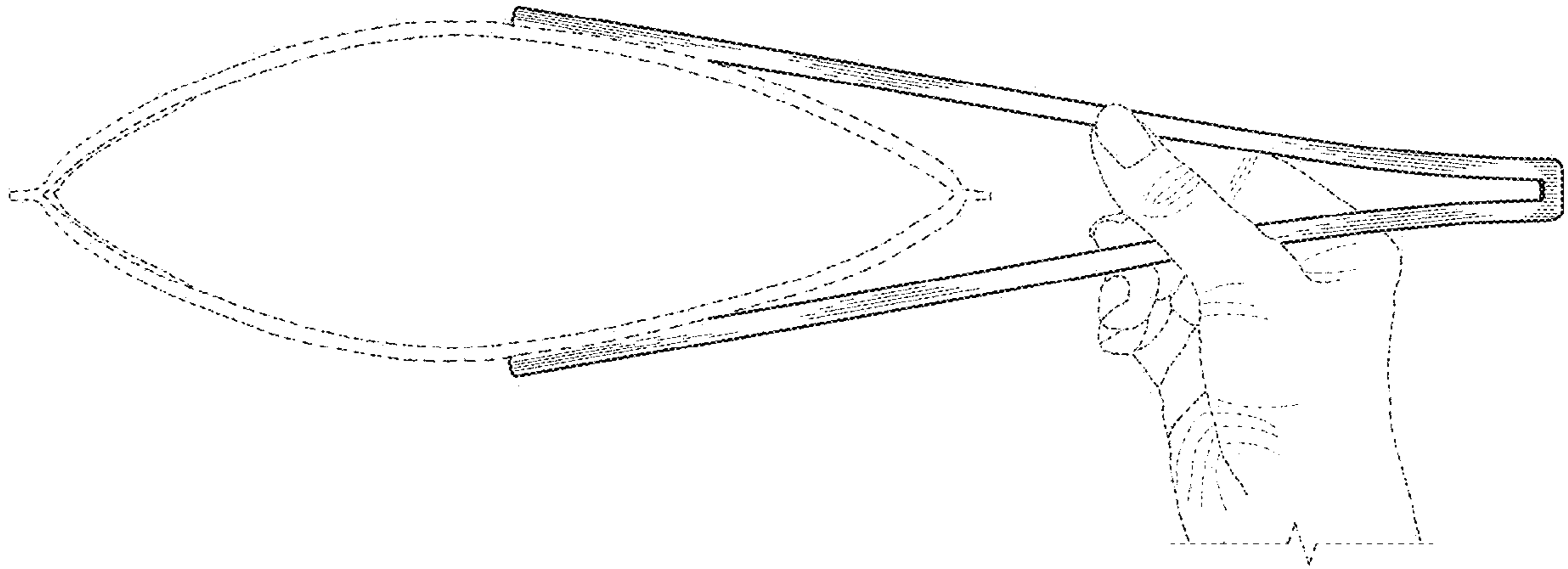


FIG. 9

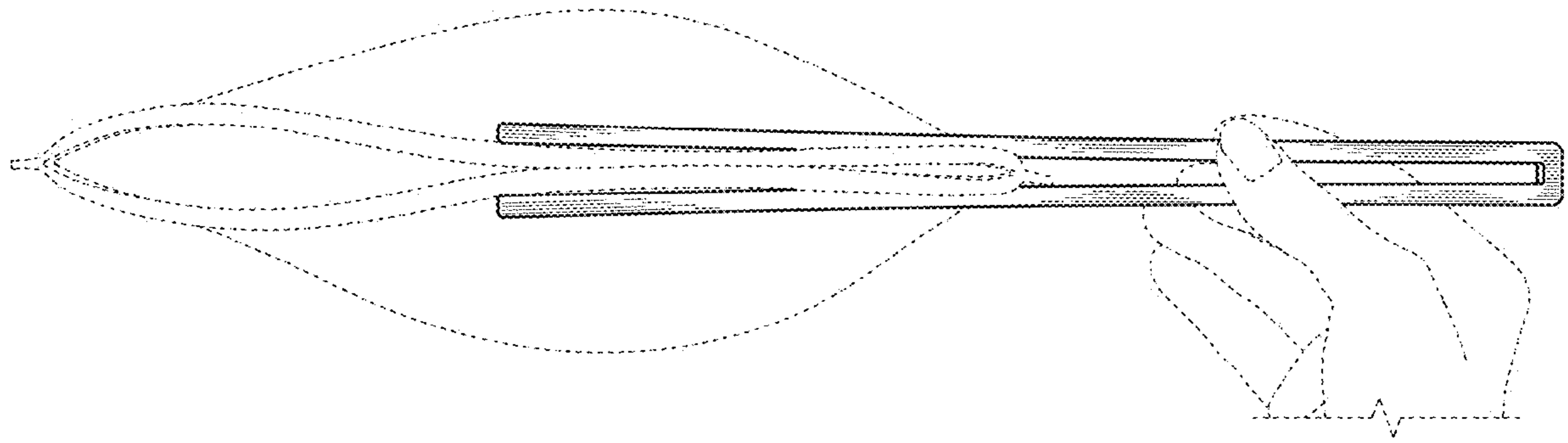


FIG. 10

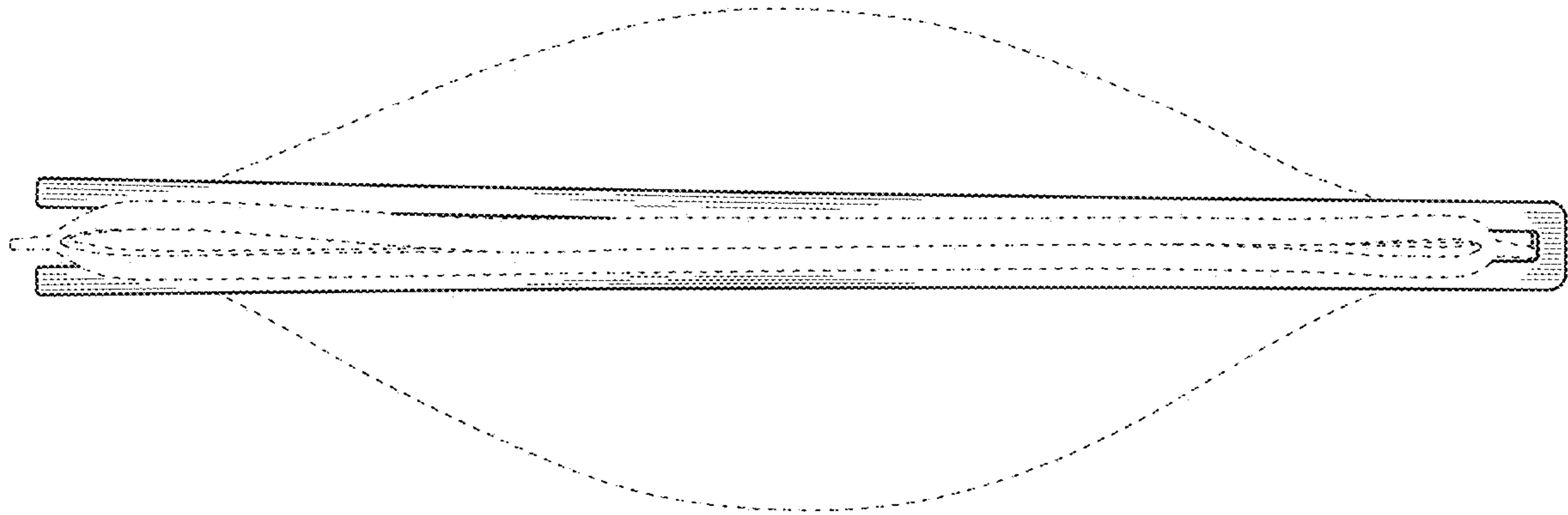


FIG. 11