



US00D885874S

(12) **United States Design Patent** (10) **Patent No.:** **US D885,874 S**  
**Hsiao** (45) **Date of Patent:** **\*\* Jun. 2, 2020**

(54) **SCREW** 2003/0231940 A1\* 12/2003 Lin ..... F16B 25/0015  
411/387.2

(71) Applicant: **INTEGRAL BUILDING PRODUCTS** 2011/0293387 A1\* 12/2011 Chang ..... F16B 25/103  
**INCORPORATION**, Tainan (TW) 411/387.1

(72) Inventor: **Li-Ching Hsiao**, Tainan (TW) 2011/0318137 A1\* 12/2011 Chen ..... F16B 25/0052  
411/387.1

(73) Assignee: **Integral Building Products** 2013/0309042 A1\* 11/2013 Chao ..... F16B 25/0015  
**Incorporation**, Tainan (TW) 411/387.1

(\*\*) Term: **15 Years** 2015/0184685 A1\* 7/2015 Su ..... F16B 25/103  
411/387.2

(21) Appl. No.: **29/658,581** 2015/0322990 A1\* 11/2015 Langewiesche .... F16B 25/0078  
411/387.1

(22) Filed: **Aug. 1, 2018** 2017/0016468 A1\* 1/2017 Lin ..... F16B 25/0015

(51) **LOC (12) Cl.** ..... **08-08** 2018/0156258 A1\* 6/2018 Chao ..... F16B 25/0078

(52) **U.S. Cl.** ..... **D8/387** 2018/0298934 A1\* 10/2018 Eckert ..... F16B 25/0084

(58) **Field of Classification Search** 2019/0136897 A1\* 5/2019 Lajewardi ..... F16B 25/0052  
USPC ..... D8/385, 387, 388, 391, 393, 382  
CPC .... F16B 23/00; F16B 23/003; F16B 23/0038;  
F16B 23/0046; F16B 25/0036; F16B  
25/0052; F16B 25/0057; F16B 25/0063;  
F16B 25/0078; F16B 25/0084; F16B  
35/041; F16B 35/044  
See application file for complete search history.

\* cited by examiner

*Primary Examiner* — Sandra S Snapp  
*Assistant Examiner* — Ieisha N Price  
(74) *Attorney, Agent, or Firm* — Rosenberg, Klein & Lee

(57) **CLAIM**

The ornamental design for a screw, as shown and described.

**DESCRIPTION**

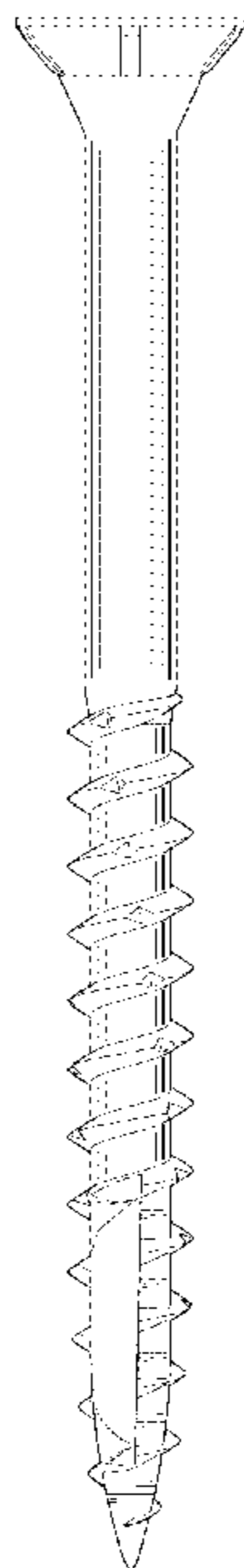
FIG. 1 is a perspective view of a screw showing my new design;  
FIG. 2 is a front elevational view thereof;  
FIG. 3 is a rear elevational view thereof;  
FIG. 4 is a left side elevational view thereof;  
FIG. 5 is a right side elevational view thereof;  
FIG. 6 is a top plan view thereof; and,  
FIG. 7 is a bottom plan view thereof.  
The broken lines shown in the figures are included for illustrating unclaimed portions of the screw and form no part of the claimed design.

(56) **References Cited**

U.S. PATENT DOCUMENTS

D557,131 S	*	12/2007	Liu	.....	D8/387
D581,776 S	*	12/2008	Yin-Feng	.....	D8/387
D696,103 S	*	12/2013	Hsu	.....	D8/387
D840,796 S	*	2/2019	Hsiao	.....	D8/387
D845,118 S	*	4/2019	Liu	.....	D8/387
D852,030 S	*	6/2019	Hsiao	.....	D8/387
D854,404 S	*	7/2019	Wang	.....	D8/387
D863,050 S	*	10/2019	Chao	.....	D8/387
2003/0198532 A1	*	10/2003	Hsu	.....	F16B 25/0031 411/311

**1 Claim, 7 Drawing Sheets**



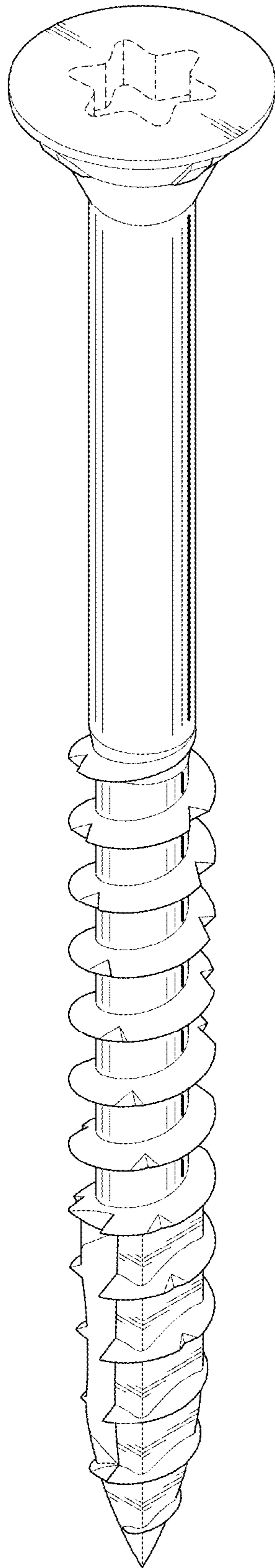


FIG. 1

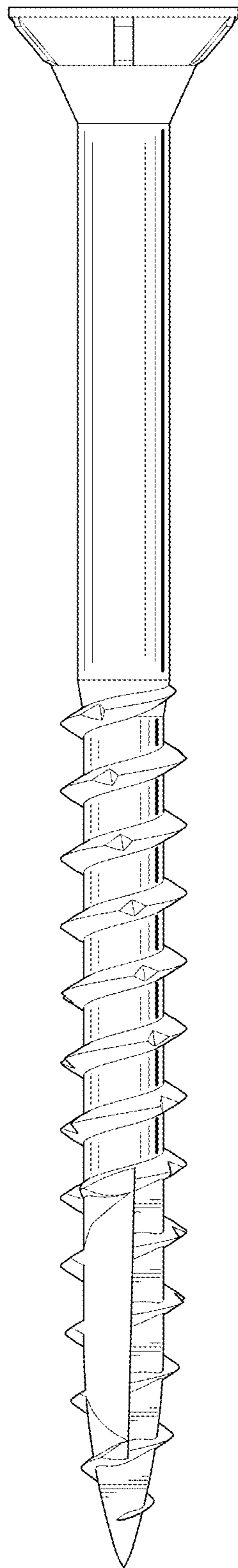


FIG. 2

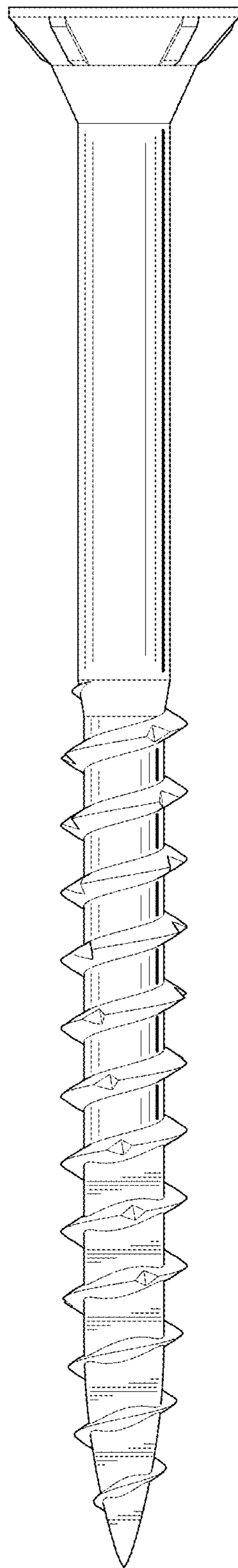


FIG. 3

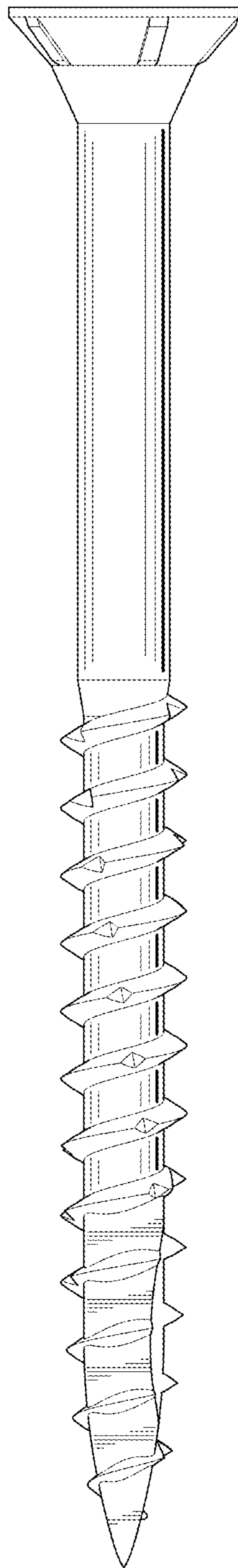


FIG. 4

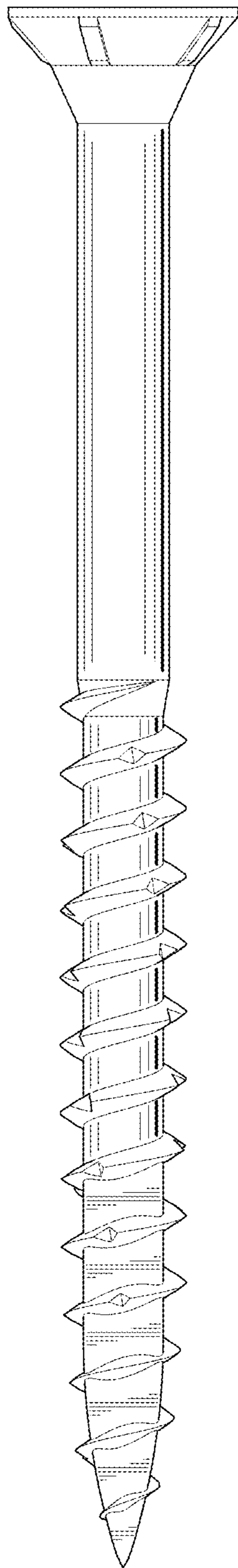


FIG. 5

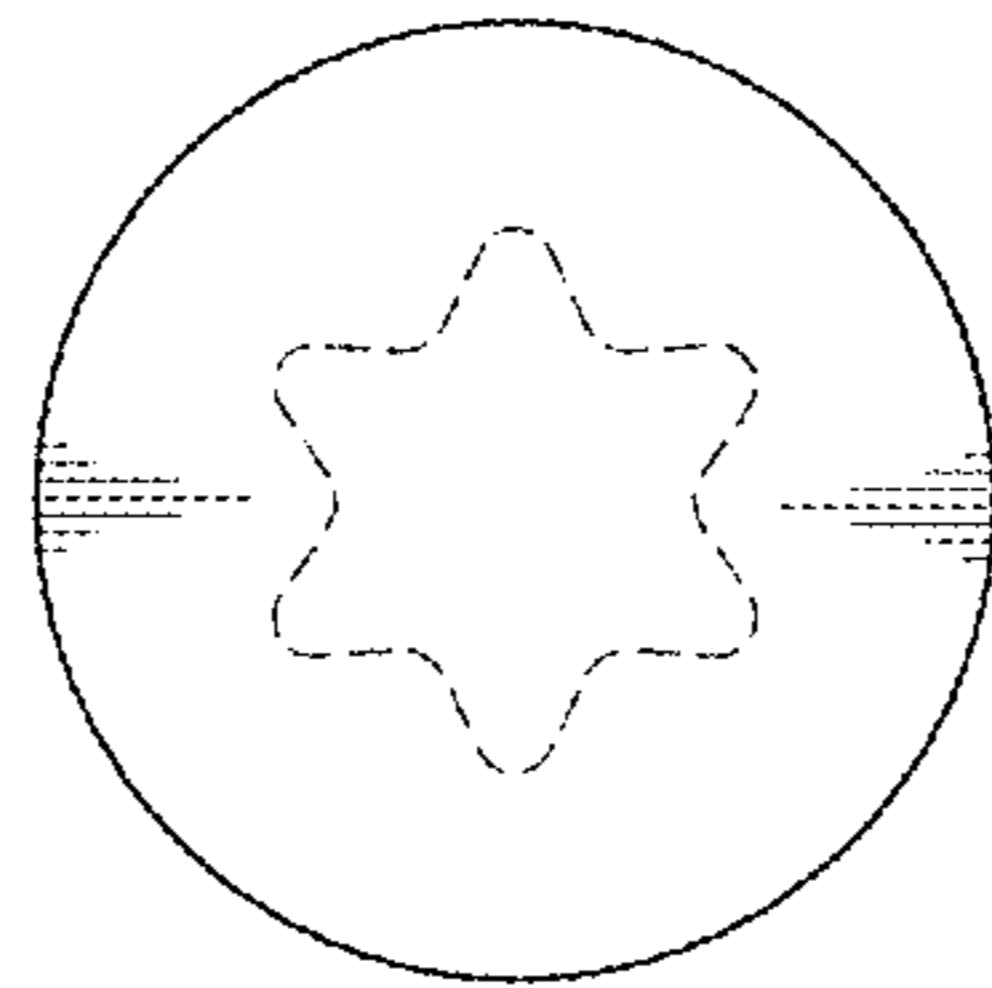


FIG. 6

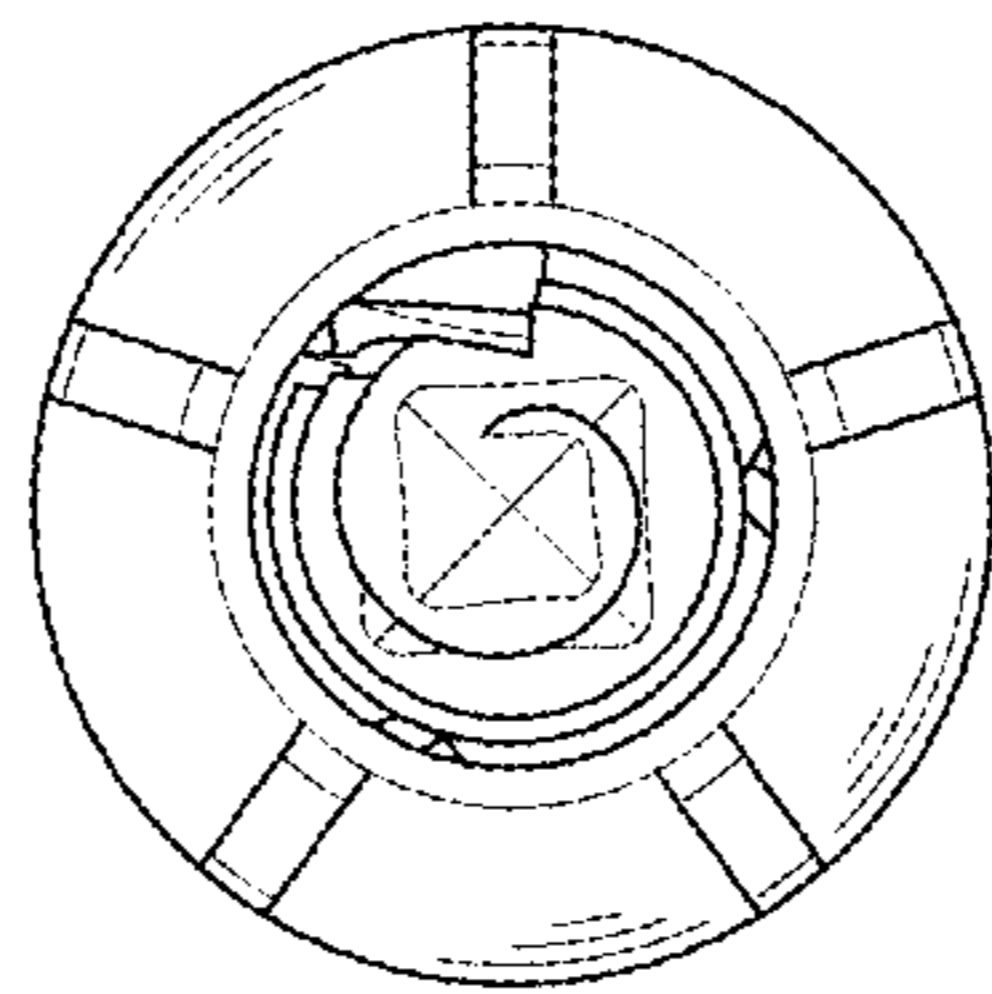


FIG. 7